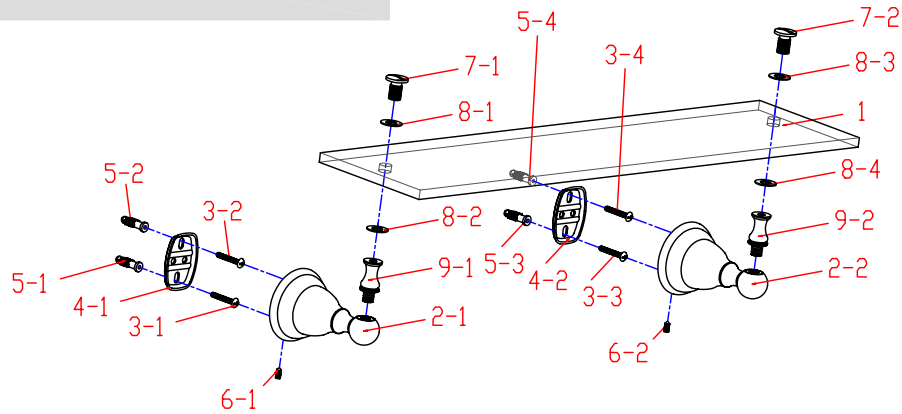



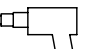
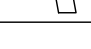


# INSTALLATION



PART NAME	QUANTITY	PART NAME	QUANTITY
① Glass Plate	1	⑥ Slotted Set Screw	2
② Base	2	⑦ Screw	2
③ Mounting Screw	4	⑧ Cushion	4
④ Mounting Plate	2	⑨ Joint	2
⑤ Anchor	4		

## TOOLS REQUIRED

	Flathead Screwdriver
	Phillips Screwdriver
	Marking Pencil
	Hammer
	Power Drill

## Installation Steps:

- Step 1. Locate position on the wall and mark outline of cover plate on the wall. (Fig.1)
- Step 2. Unscrew Slotted Set Screw at base and remove mounting plate. (Fig.2)
- Step 3. Locate mounting plate in the center of circle. Mark location of the mounting screw (Fig.2) and drill holes at the marked location.
- Step 4. Insert anchors into the holes until flush with wall. (Fig.3)
- Step 5. Screw the mounting plate (with the lips facing out) to wall with mounting screw. (Fig.4)
- Step 6. Repeat steps from 3 to 6 to another side.
- Step 7. Place the unit, with the small hole of cover plate underneath, over the mounting plate by tightening slotted set screw with flathead screwdriver until the base is tightly fixed. (Fig.5)

## Cleaning

Clean with a damp cloth only.  
Avoid using metal or abrasive polishes.

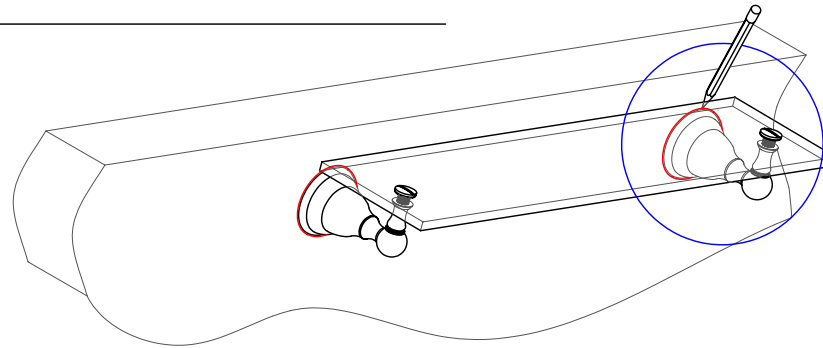


Fig. 1

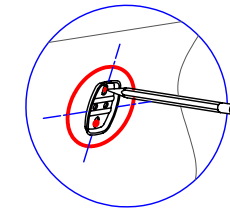


Fig. 2

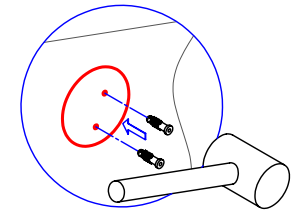


Fig. 3

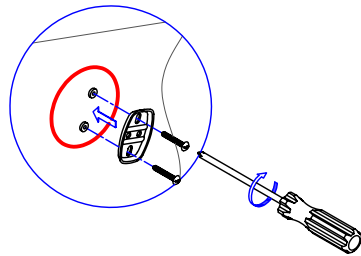


Fig. 4

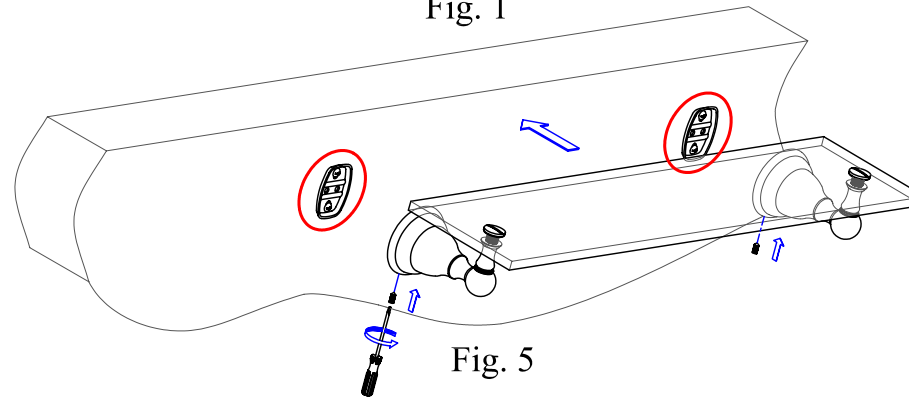


Fig. 5

MODEL	FINISH
BA 5569C	Chrome
BA 5569PB	Polished Brass
BA 5569SN	Satin Nickel
BA 5569ORB	Oil Rubbed Bronze