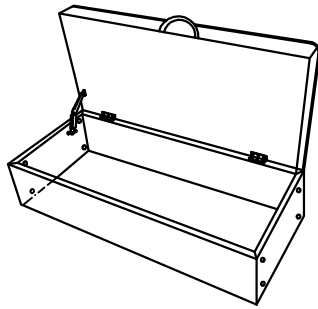


# ASSEMBLY INSTRUCTIONS

## Parts and Hardware

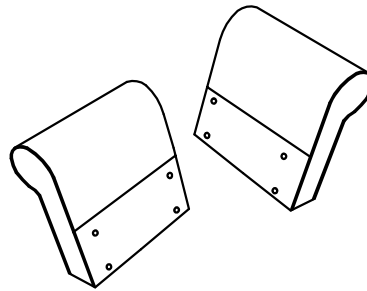
Please check to make sure you have all parts and hardware before starting assembly process.

①



Ottoman (1)

②



Arms (2)

③



Legs (4)

④



5/16\*50mm (8)

⑤



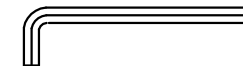
8\*22\*2mm (8)

⑥



M8 (8)

⑦



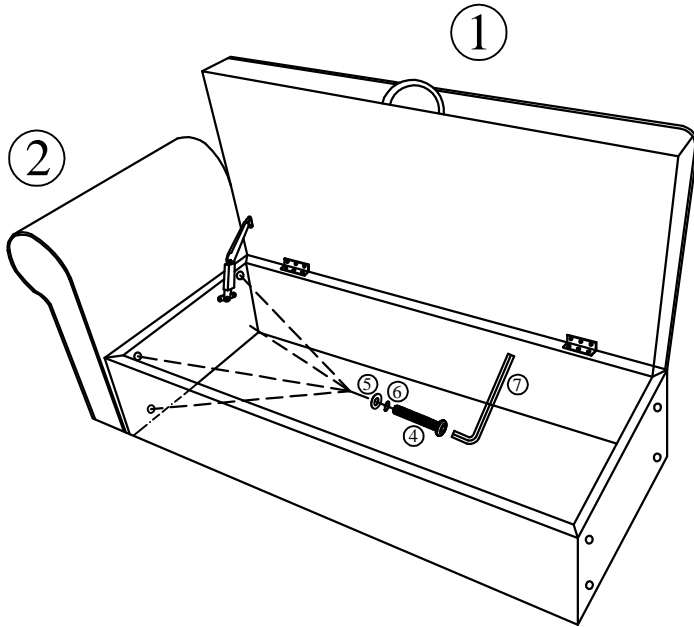
Allen Wrench (1)

# ASSEMBLY INSTRUCTIONS

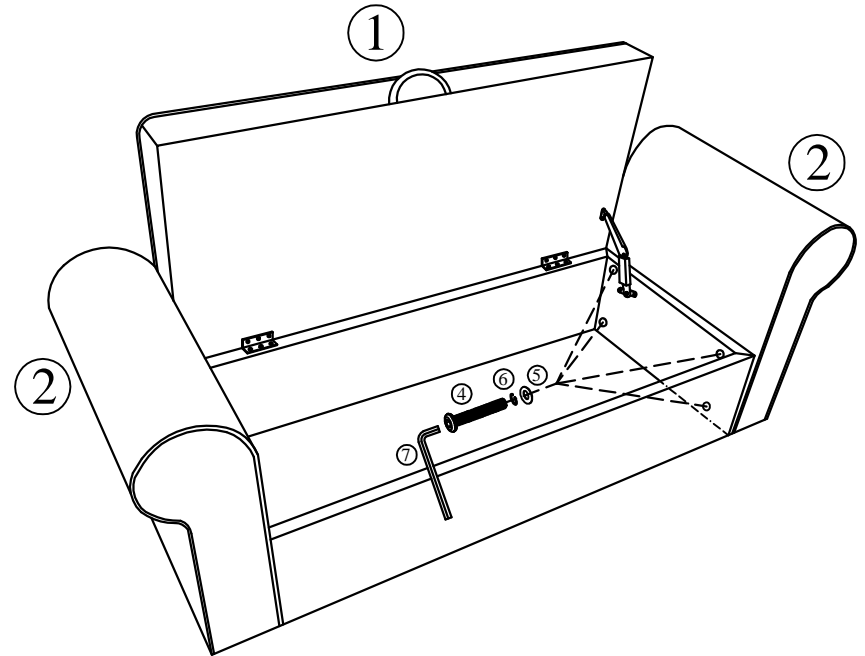
## Assembly Instructions

Please read and understand all assembly instructions before beginning assembly process.  
Do not tighten any single bolt until all bolts in holes on each step

STEP 1:



STEP 2:

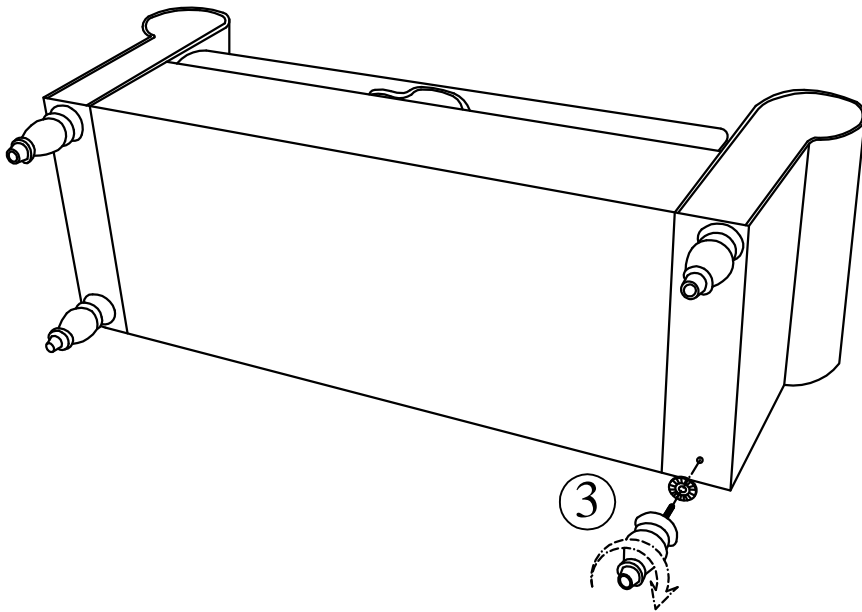


# ASSEMBLY INSTRUCTIONS

## Assembly Instructions

Please read and understand all assembly instructions before beginning assembly process.  
Do not tighten any single bolt until all bolts in holes on each step

STEP 3:



STEP 4:

