

Owner's and Operator's Manual

Limited Warranty

Our bathtubs are covered by a limited warranty to the first consumer purchaser for a period of 60 months as to the tub and 12 months as to the electronics and accessories, from date of original purchase against defect in manufacture, provided its use is limited to personal, family, or household purposes, it is installed and maintained according to our recommended installation and maintenance procedures, and the defects are not caused by unauthorized and unreasonable use. This warranty does not cover defects, damage, or failure caused by the freight carrier, installer, user or other person, or resulting from, without limitation, any of the following: improper handling, modification of any type, improper installation, misuse, incorrect operation or lack of proper routine maintenance (including abrasive or improper cleaners.)

This warranty does not extend to subsequent owners, transferee's or users. It is limited to repair or replacement of the defect without charge at the factory. It does not cover the expense of shipment to or from the factory, except where provided by applicable law.

Upon discovery of a defect or malfunction, notify Manufacturer in writing within 10 days of discovery, setting forth a description of the malfunction or defect, the name and address of installer, and date and address of installation.

To obtain information about or performance of warranty obligation, please contact the Manufacturer. We assume no liability for incidental or consequential damages.

Safety Rules

Read all instructions thoroughly before operating your whirlpool system.

WARNING: Acrylic bathtubs and whirlpool systems use suction, air pressure, electricity, water, and are naturally slippery. Follow all safety precautions when operating your bathtub and system:

1. Remove packaging and plastic cover. Carefully inspect the entire surface for any damage that may have occurred during shipping.
2. Verify that your order is correct. (color, trim, finish, model, and size)
3. Electrical systems and pump must be tested prior to installation.
4. Beware of slipping when walking on, entering, or exiting the bathtub.
5. DANGER: Not for use by children and persons with a disability without constant supervision.
6. Do not use with other accessories or in a manner not intended by the manufacturer. Only use as described in manual.
7. Not for outdoor use.
8. Do not drop or place items into the whirlpool openings.
9. The electrical supply circuit for the system must be protected by a GFCI (ground fault circuit interrupter) and tested regularly.
10. Maintain a safe distance between the bathtub and radios, hairdryers, and other appliances.
11. A green color terminal is provided in the terminal compartment (for permanently connected units). The wire may also be marked "Ground," "GR," or some other indication that it is the ground wire. Connect this terminal to the grounding terminal in the electrical service or supply panel with a conduct or equivalent in size to the circuit conductors supplying this equipment. This will reduce the risk of electrical shock.
12. CAUTION: Comply with all instructions, requirements, and warnings contained in this manual to avoid serious hazards to the bathtub user. Failure to do so may result in serious personal injury.

WARNING: The causes, symptoms, and effects of hyperthermia may be described as follows: Hyperthermia occurs when the internal temperature of the body reaches a level several degrees above the normal body temperature of 98.6." The symptoms of hyperthermia include an increase in the internal temperature of the body, dizziness, lethargy, drowsiness, and fainting. The effects of hyperthermia include (1) failure to perceive heat, (2) failure to recognize the need to exit the spa or hot tub, (3) unawareness of impending hazard, (4) fetal damage to pregnant women, (5) physical inability to exit the spa or hot tub, and (6) unconsciousness resulting in the danger of drowning.

WARNING: The use of alcohol, drugs, or medication can greatly increase the risk of fatal hyperthermia.

Installation

Inspect the unit for freight damage IMMEDIATELY when the bathtub is received. Any claims for damage must be made to the carrier at delivery in order for them to accept any costs. The bathtub will arrive completely assembled and ready for installation.

Do not install the bathtub if inspection reveals any defect in the finish. The warranty does not cover damage or defect claimed after the bathtub is installed or labor or material to remove or re-install the bathtub.

PRE-INSTALLATION:

1. Confirm that there is no shipping damage at time of delivery.
2. Verify that your bathtub order arrived correct (model and color).
3. All Federal, State, and Local building codes and regulations must be followed.
4. Read the “warning and caution” labels on the bathtub.
5. Protect the interior of the bathtub during installation.
6. Using a level and other appropriate tools, verify that the sub floor is level.

DURING INSTALLATION:

1. Always support the bathtub from the floor and never let it hang from the rim.
2. Allow for sufficient area around the pump to allow for air movement.
3. The pump access panel must be 16”high by 20” wide to allow for pump access in the event that service or maintenance is needed.
4. Bathtubs with seats will need additional support below the seat areas.
5. Wiring and other building materials should be routed away from the pump and other heat sources.

ELECTRICAL REQUIREMENTS:

A 20 amp dedicated circuit breaker connected to a GFCI is recommended for every power cord supplied on the whirlpool system. The electric system should be tested on a routine basis.

1. Plug supply cord(s) into 110 Volt electrical outlet. This circuit must be protected by a GFCI.
2. Test the GFCI:
 - a. Push TEST button
 - b. Verify that power has been interrupted
 - c. Push RESET button
 - d. Verify that power has been restored

Contact a qualified service representative before using if the GFCI does not operate properly during a test. This indicates that a ground current is flowing and could result in an electric shock. **DO NOT USE THE UNIT AT THIS POINT.** Disconnect the unit until the problem is corrected.

Bathtub Installation

Keep the bathtub protected during installation. Choose the installation that applied to your bathtub:

Installation with plywood support:

- A. Some shimming of the bathtub will be needed if the sub floor is not level.
- B. On the bottom of the plywood apply a generous amount of construction adhesive.
- C. Set the bathtub into its location.
- D. Verify that the bathtub is level (See Figure1)

Installation with support feet:

- A. Some shimming of the bathtub will be needed if the sub floor is not level.
- B. On the bottom of the plywood apply a generous amount of construction adhesive.
- C. Set the bathtub into its location.
- D. Verify that the bathtub is level (See Figure1)

Installation without support feet:

- A. Using light weight cement, gypsum, or fix-all-bed, prepare a tub mortar bed approximately 1”or 2” thick (See Figure2)
- B. Using the floor of the tub as the support to move the tub (not the deck or rim), place the bathtub into the proper position and set it in the bedding compound (See Figure3)

Final Installation:

- A. Using a 4 foot level, verify that the top of the bathtub is level in both directions.
- B. Finish the tile or surface to the tub deck.
- C. Seal the edges (See Figures 4, 5, or 6)

Clean-Up

Do not use abrasive cleaners. They will scratch and dull the surface of the acrylic and metallic surfaces. Use warm water and a non-abrasive liquid detergent. Turpentine or paint thinner can be used to remove stubborn stains, paint, or tar. Remove cleaners containing petroleum distillates quickly. Do not use wire brushes or other metal tools such as metal scrappers. Plaster can be removed by carefully scraping with a wood edge. A powder-type detergents may be used on a damp cloth if mild abrasive action is necessary to remove residual plaster.

Technical Aid

Before contacting the technical department for support or field service, you must have the Model Number, Size, Color, Identification Number and Date of Manufacture.

This information can be found on the product identification tag located near the pump or overflow. The manufacturer will require this information in order to provide technical assistance and field service.

Figure 1

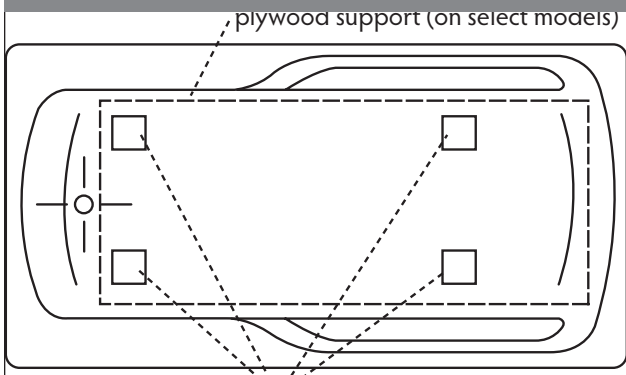


Figure 2

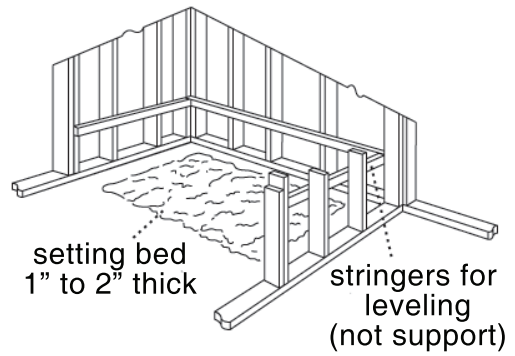


Figure 3

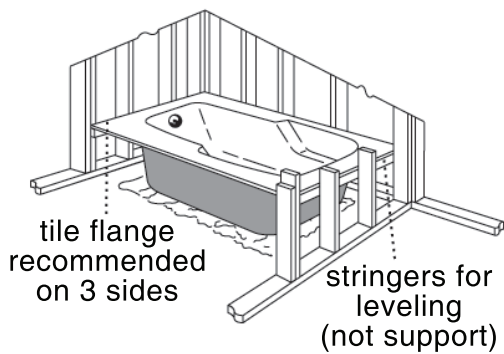


Figure 4

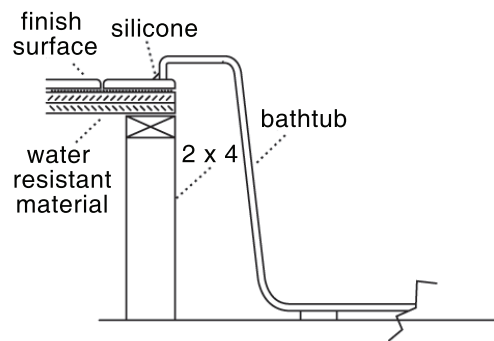


Figure 5

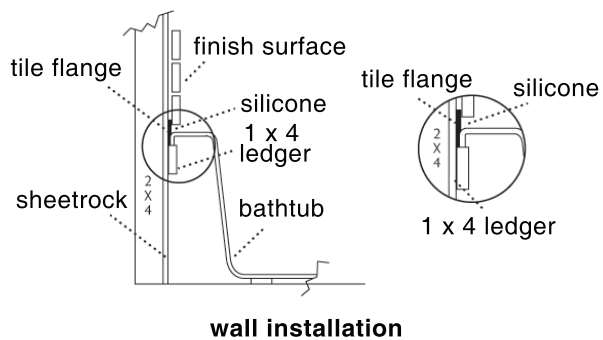
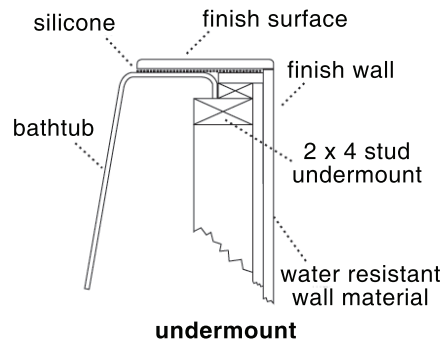


Figure 6



Testing System Operation

TO CHECK PROPER FUNCTION OF YOUR NEWLY INSTALLED Whirlpool / Airbath™, TAKE THE FOLLOWING STEPS:

1. Remove all debris and residue before filling the tub with water.
2. Fill the tub with water until the highest whirlpool jet is covered by at least 2” of water (do not run pump without water in the tub).
3. Examine tub and system carefully for leaks.
4. Position eyeballs downward (Whirlpool only).
5. Turn on system and allow tub to run approximately 2-3 minutes (Whirlpool only).
6. Allow water to sit for 10 minutes and check for leaks.
7. Repeat Step 5 three times to assure pump is priming properly.
8. Open drain and empty tub.
9. Wipe up excess water with a soft, damp sponge.

When cleaning up after installation do not use abrasive cleaners, steel wool, scouring pads or harsh chemicals. For cleaning procedures refer to the “Care and Maintenance” section.

Care and Maintenance

Soap residues and mineral deposits are the enemies of your bathtub, particularly in areas where there is hard water. However, cleaning your bathtub at regular intervals and using proper cleaning agents, you can help your bathtub retain its original sparkling look. **DO NOT USE** abrasive cleaners, as these products will damage the bathtub surface and metallic finishes. A non-abrasive cleaner is recommended.

Your bathtub does not require the use of special cleaning agents or chemicals.

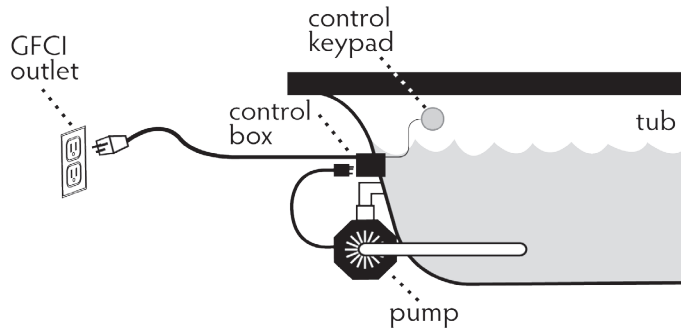
- Normal cleaning is simple and easy. Just use warm water, a soft sponge and mild liquid detergent or non-abrasive cleaner to wipe the surfaces clean, then rinse thoroughly.
- To preserve the surface finish, annual waxing is recommended. Use a high-grade paste-type automotive wax.
- Manufacturer recommends the use of JetFresh® to maintain your whirlpool or Air system.

Operating Instructions

Whirlpool



ON/OFF Button



The Whirlpool is equipped with an On/Off Button (fill tub until the highest jet is covered by at least 2" of water. Do not run pump without water in the tub.)

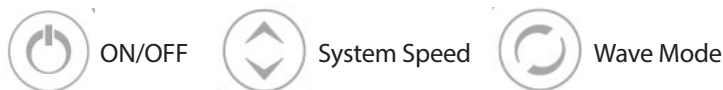
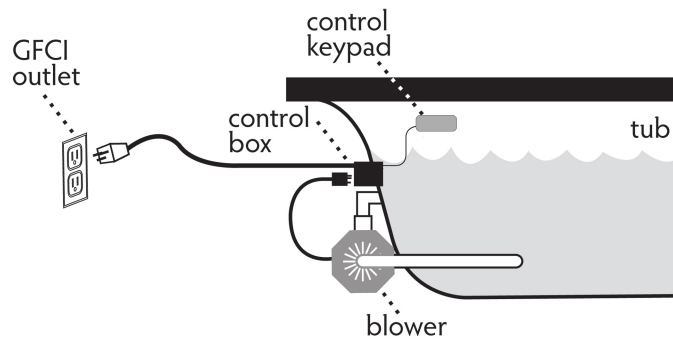
1. Press the Button to start the pump.
2. Press a second time to stop the pump. The Control Box is manufactured with a 10 minute timer that will turn off the unit automatically. To continue your bath, simply push the Button to repeat the cycle.

Note: If OPTIONAL built in water level sensor is installed on your tub, fill the tub with water until the water level sensor pad is covered. Now you can press the Button to start the pump.

Air System



ON/OFF Button



The Air System is equipped with an On/Off Button (fill tub until the highest jet is covered by at least 2" of water. Do not run pump without water in the tub.)

1. Press On/Off key once to start the motor in Constant mode. Press a second time to turn the motor off. A built-in timer shuts motor off after 20 minutes, unless manually turned off first.
2. Successive presses of Wave Mode key while motor is on changes its mode from Constant mode to Wave Mode and back to Constant mode. Constant mode: the motor is on without variation of speed. Wave mode: motor speed varies from High to Low and vice versa.
3. Press and hold the up arrow key while motor runs in Constant mode to increase its speed.
4. Press and hold the down arrow key while motor runs in Constant mode to decrease its speed.

Operating Instructions

Combination



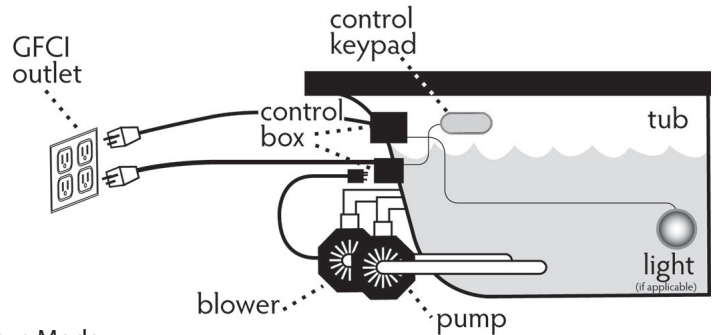
ON/OFF



System Speed



Wave Mode



The Combination system is equipped with an On/Off Button (fill tub until the highest jet is covered by at least 2" of water. Do not run pump without water in the tub.)

1. Press On/Off key once to start the motor in Constant mode. Press a second time to turn the motor off. A built-in timer shuts motor off after 20 minutes, unless manually turned off first.
2. Successive presses of Wave Mode key while motor is on changes its mode from Constant mode to Wave Mode and back to Constant mode. Constant mode: the motor is on without variation of speed. Wave mode: motor speed varies from High to Low and vice versa.
3. Press and hold the up arrow key while motor runs in Constant mode to increase its speed.
4. Press and hold the down arrow key while motor runs in Constant mode to decrease its speed.