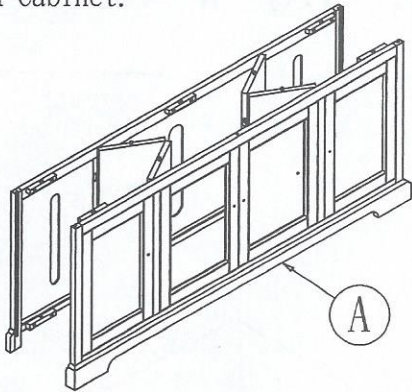


Assembly Instructions

2 Person Assembly Strongly Recommended

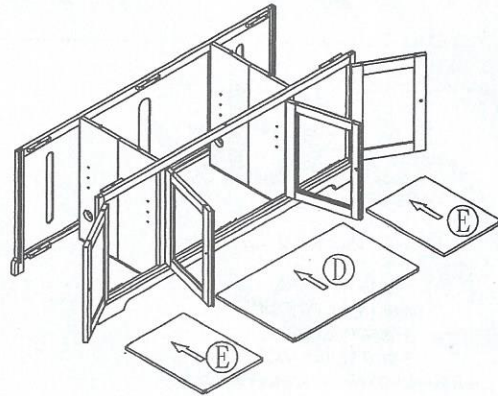
step 1

Unfold Cabinet.



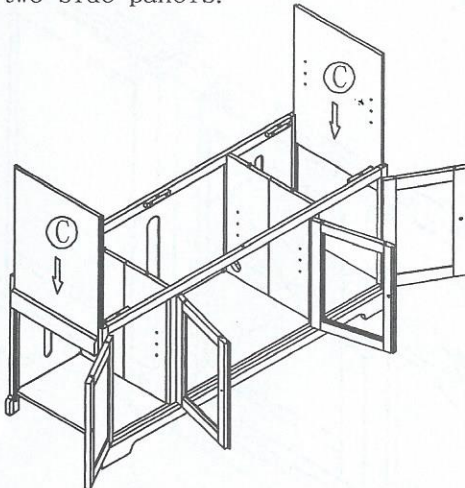
step 2

Open 4 doors. Insert the middle bottom panel first, then insert side bottom panels.



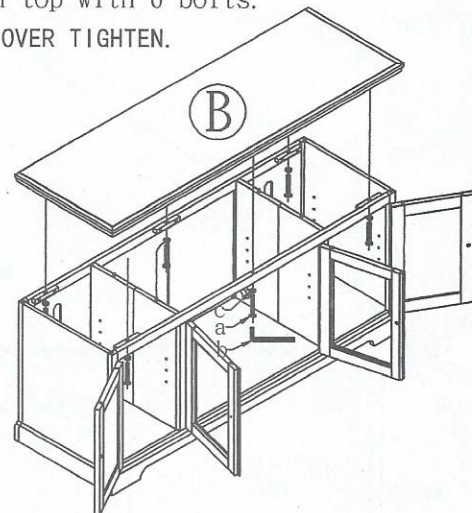
step 3

Insert two side panels.



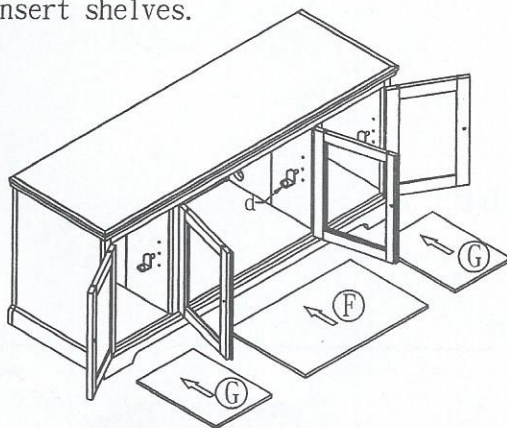
step 4

Bolt on top with 6 bolts.
DO NOT OVER TIGHTEN.



step 5

Install shelf clips and insert shelves.



step 6

Install door pulls.

