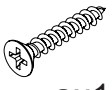

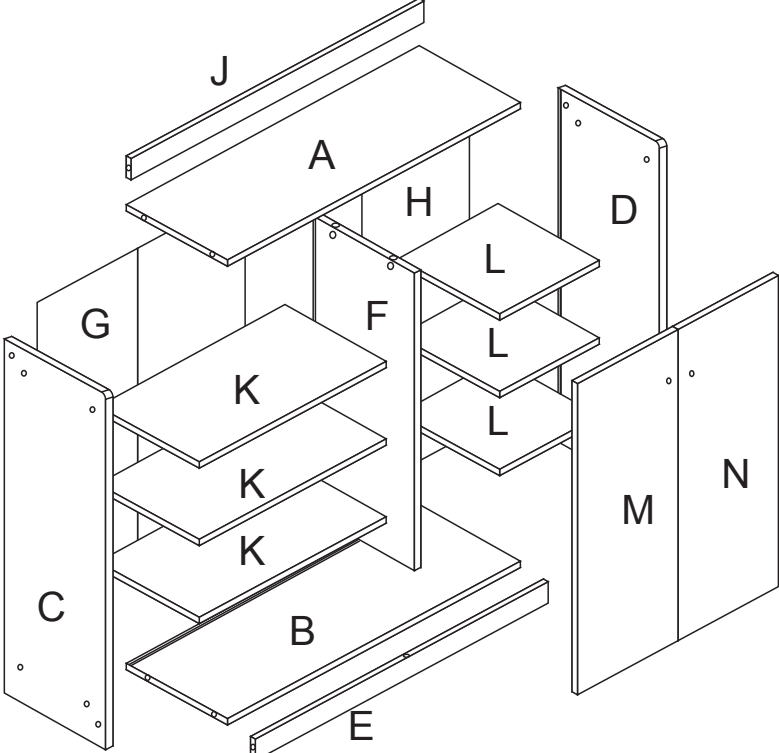
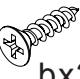




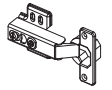
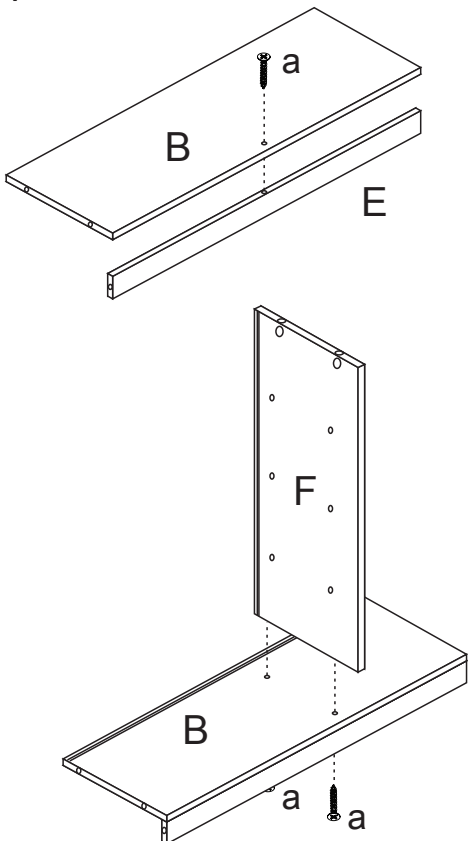


# ASSEMBLY INSTRUCTION

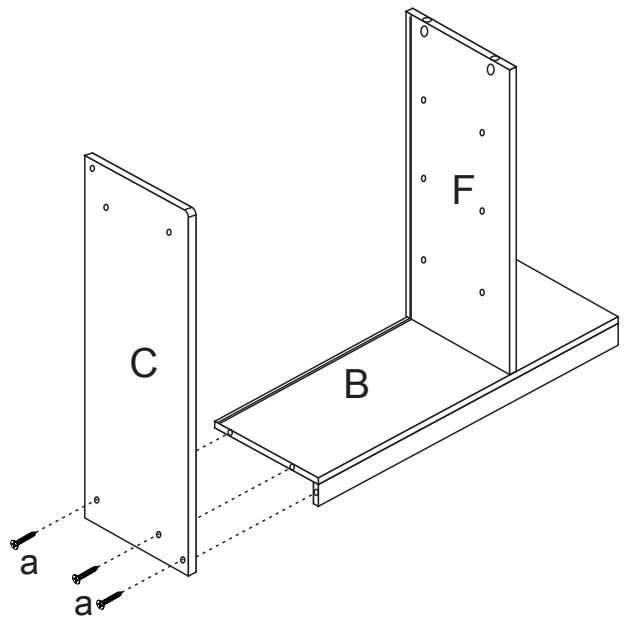
| HARDWARE LIST  |  | PART LIST   |
|--|--|---|
| <br>ax15  | <br>gx2 |  |
| <br>bx24  | <br>hx2 |   |
| <br>cx24  |  |   |
| <br>dx2   |  |   |
| <br>ex2  |  |   |
| <br>fx4 |  |   |

Step 1



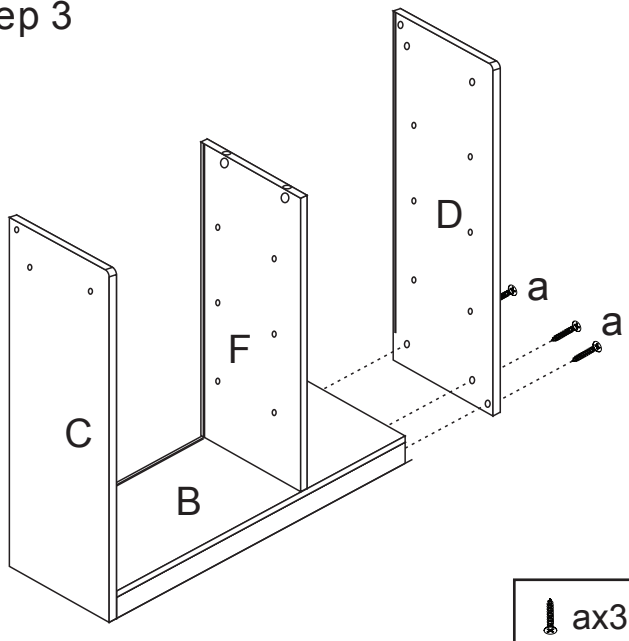
 ax3

Step 2



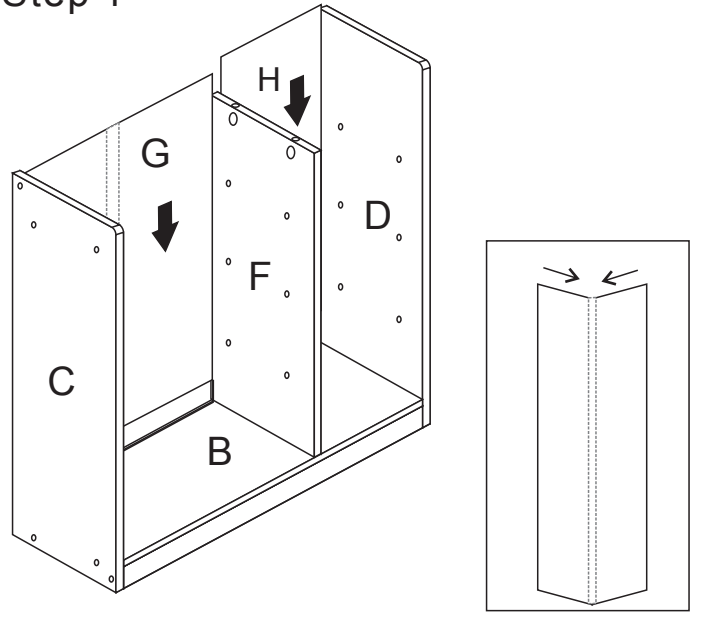
 ax3

### Step 3

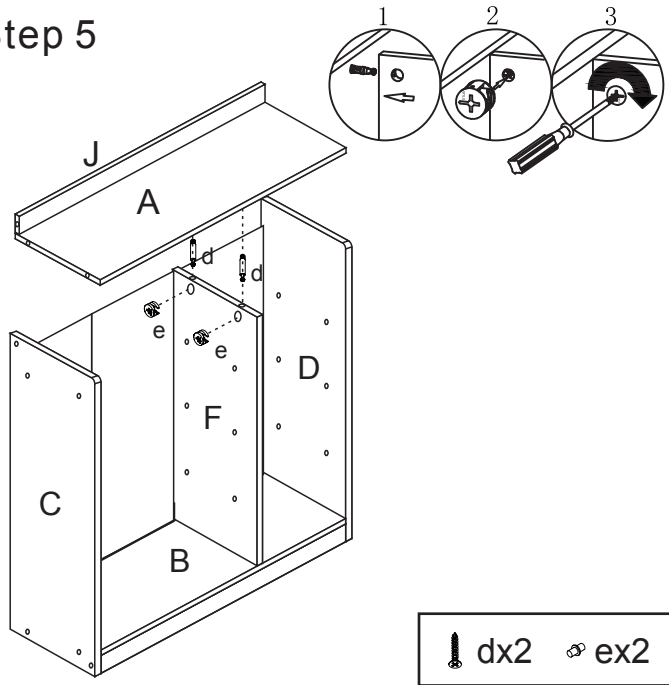


ax3

### Step 4

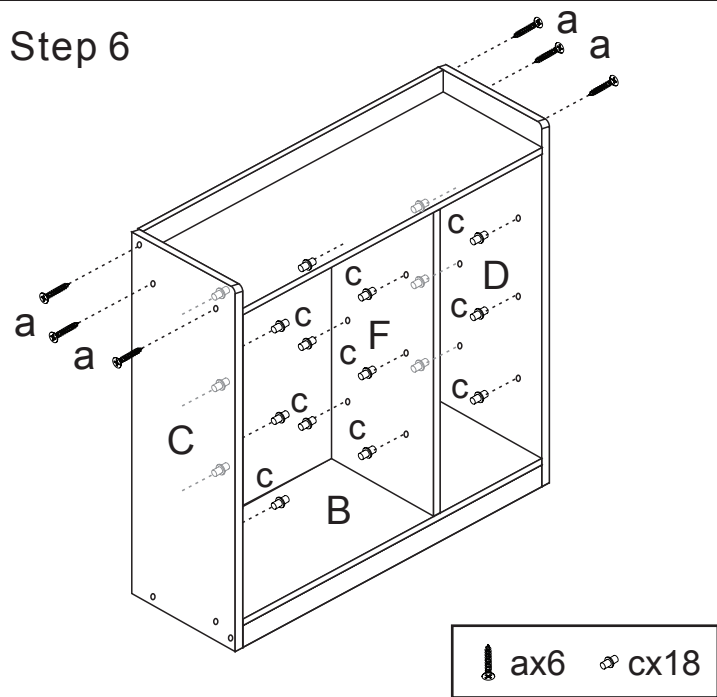


### Step 5



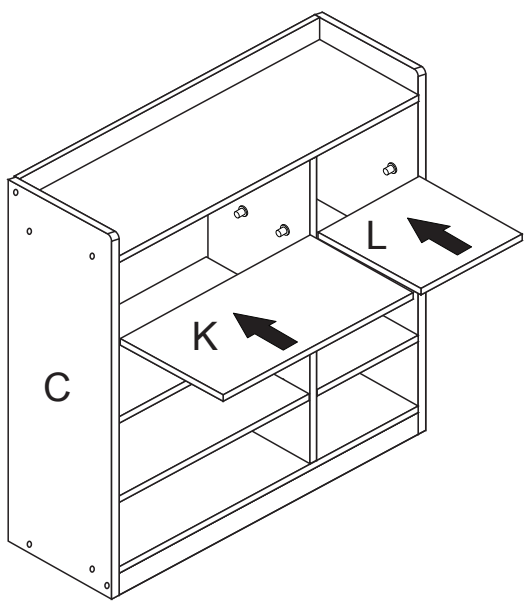
dx2 ex2

### Step 6

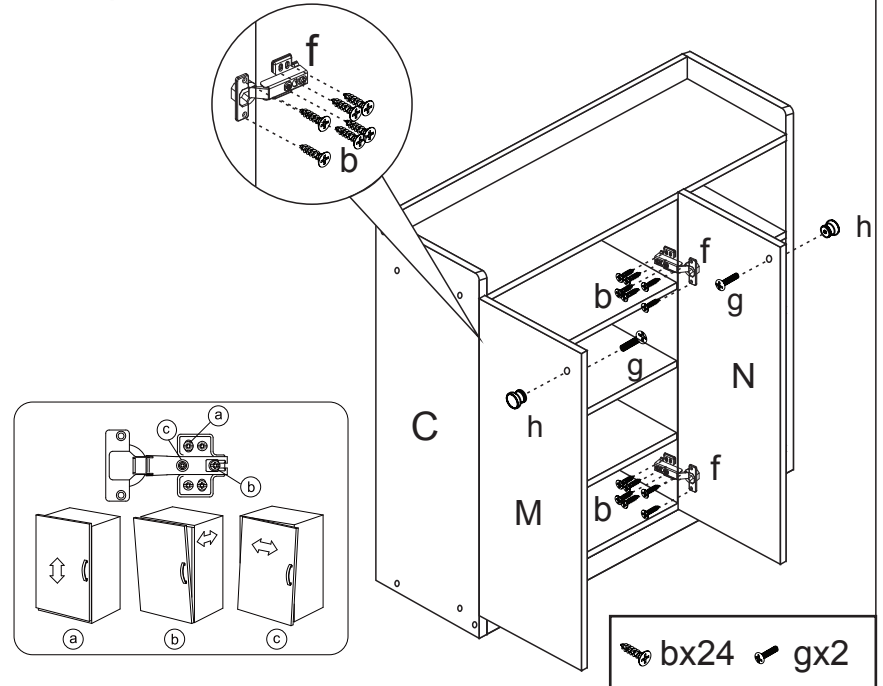


ax6 cx18

### Step 7



### Step 8



bx24 gx2