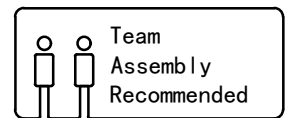
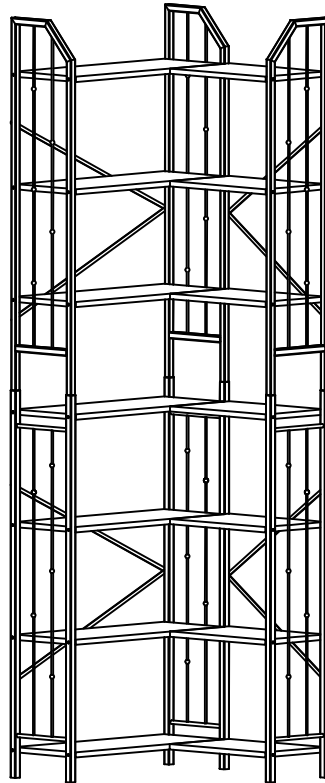


Bookshelf



Assembly Instruction



Trouble shooting:

Missing /Wrong/Broken parts and installation issues



Send email with your question pic, order NO. and screenshot of order details.



Respond within 24 hours



Issue resolved

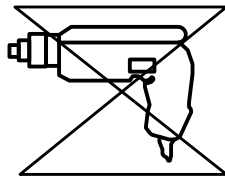
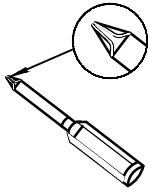
Tips!



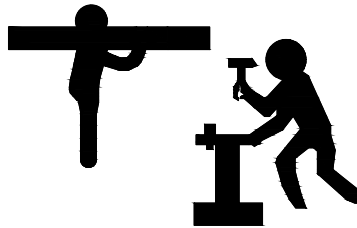
1. Check all the components & screws are intact before assembling .
2. If you notice any pieces are missing or damaged please do not assemble and contact us immediately .
3. **Please send an email with you order number and issues, we will respond within 24 hours.**

Tools required

A Philips head screw driver is required for the assembly of this product. (not included)
Electric tool should not be used to assemble this product.



Two people are needed



IMPORTANT SAFETY INFORMATION

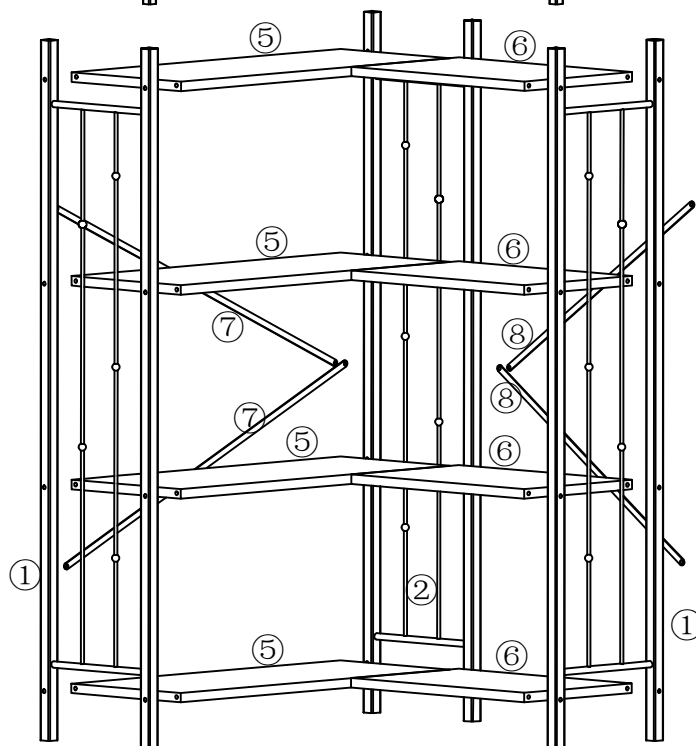
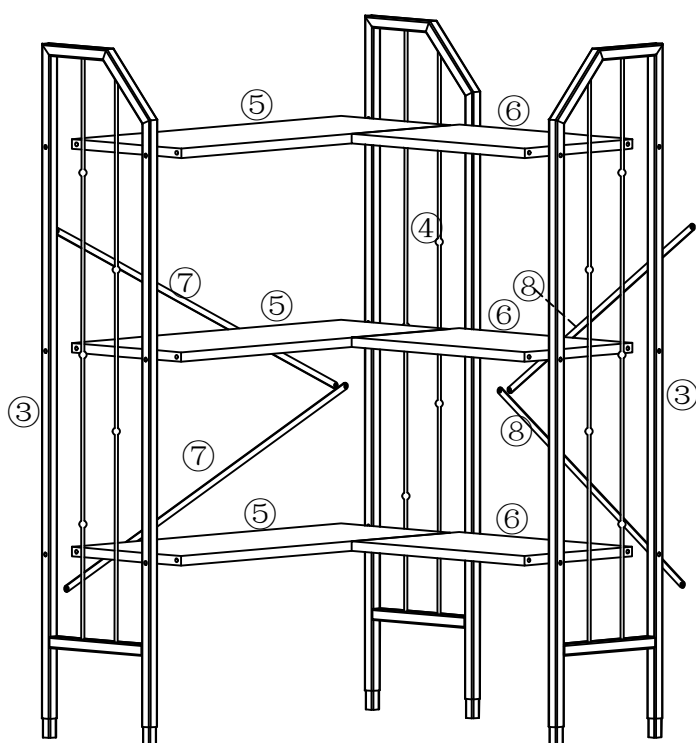
- Please carefully read the following instructions and caution warnings before assembling the product.
- Following this guide will ensure that you install, use and maintain the product properly.
- Please keep this installation and user manual/instructions for future reference in case you need to disassemble the product.
- Never allow children to climb onto the product. Ensure that you have special safety measures when children are around on their own.
- Be sure to check that all parts of the product are intact after you open the package.
- Do not assemble if you notice serious damage such as cracks or bends.
- During installation, please use work gloves for hand safety.
- Please assemble the unit on carpeted floor or the flat cardboard box to avoid scratching the surface or your floor while assembling on the floor.
- To assemble, please use the complimentary installation tools (Phillips screwdriver). Pay more attention to the direction of components at each steps.
- it is recommended that two people work together to assemble the product.

RETURN POLICY

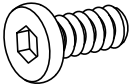
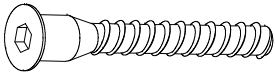
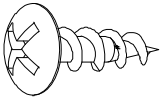
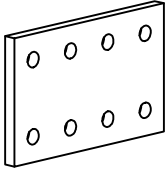
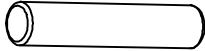
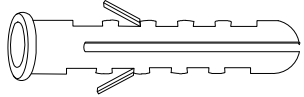


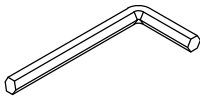
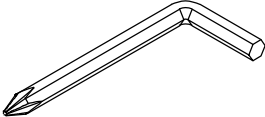
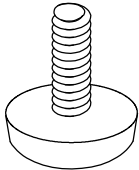
- Ensure the product is in a good condition with the original box and all original certificates of purchase, manuals, and accessories attached.

COMPONENTS ID Nr.

Part Nr.	Qty	Part Nr.	Qty	Part Nr.	Qty
①	2PCS	④	1PC	⑦	4PCS
②	1PC	⑤	7PCS	⑧	4PCS
③	2PCS	⑥	7PCS		





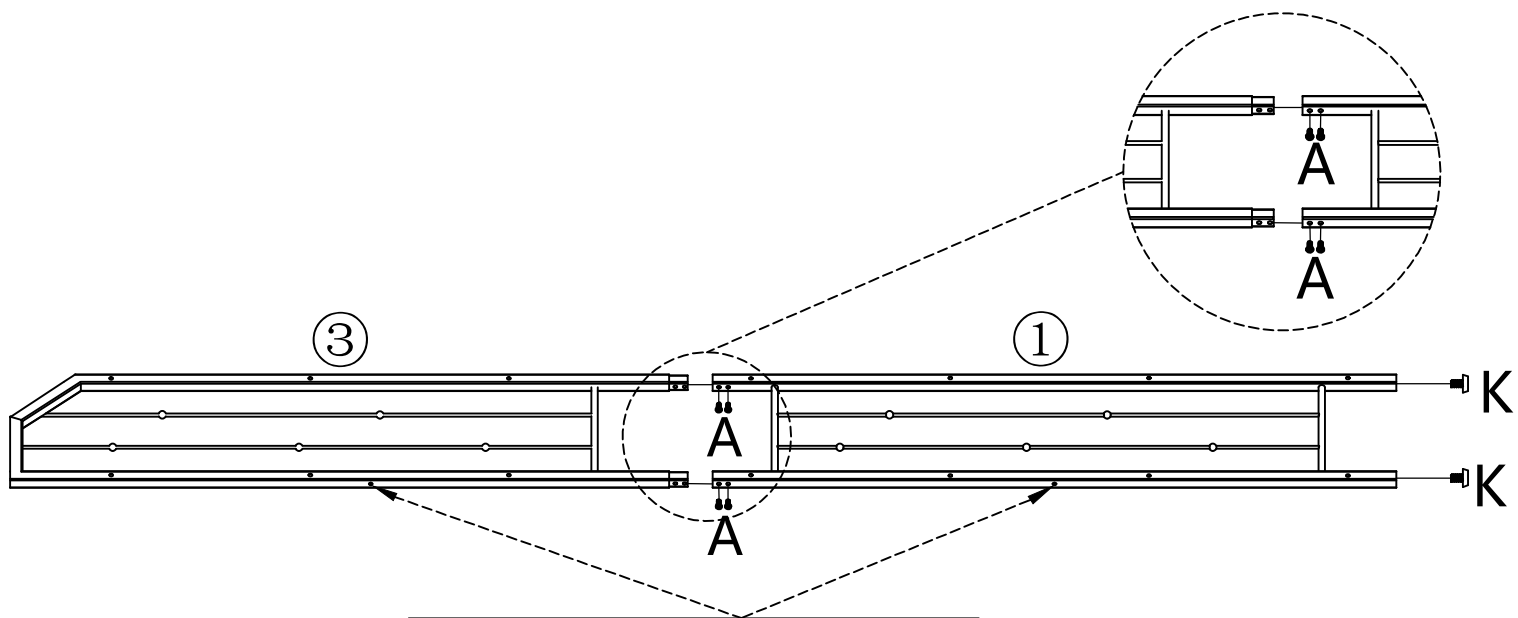
HARDWARE LIST

<p>A ×24</p>  <p>M6*12mm</p>	<p>B ×42</p>  <p>M5*40mm</p>	<p>C ×56</p>  <p>4*12mm</p>
<p>D ×7</p> 	<p>E ×7</p>  <p>6*30mm</p>	<p>F ×2</p>  <p>M8*40mm</p>
<p>G ×2</p>  <p>4*50mm</p>	<p>H ×2</p>  <p>200*20mm</p>	<p>I ×1</p>  <p>M3</p>
<p>J ×1</p>  <p>M4</p>	<p>k ×6</p>  <p>M6*10mm</p>	

HARDWARE LIST

STEP 1



$A \times 8$  M6*12mm	$K \times 4$  M6*10mm		
--	--	--	--

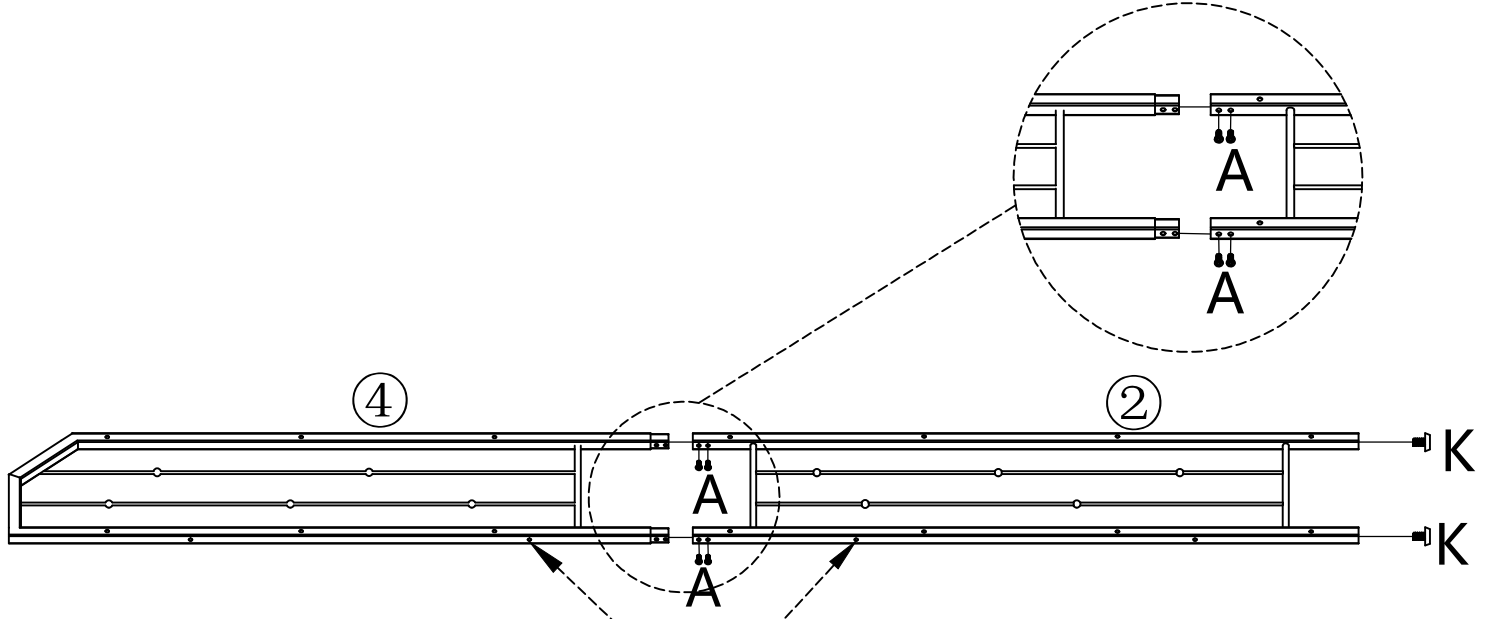


Noted direction of holes

X2

STEP 2

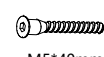
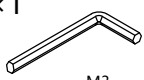
$A \times 4$  M6*12mm	$K \times 2$  M6*10mm		
--	--	--	--



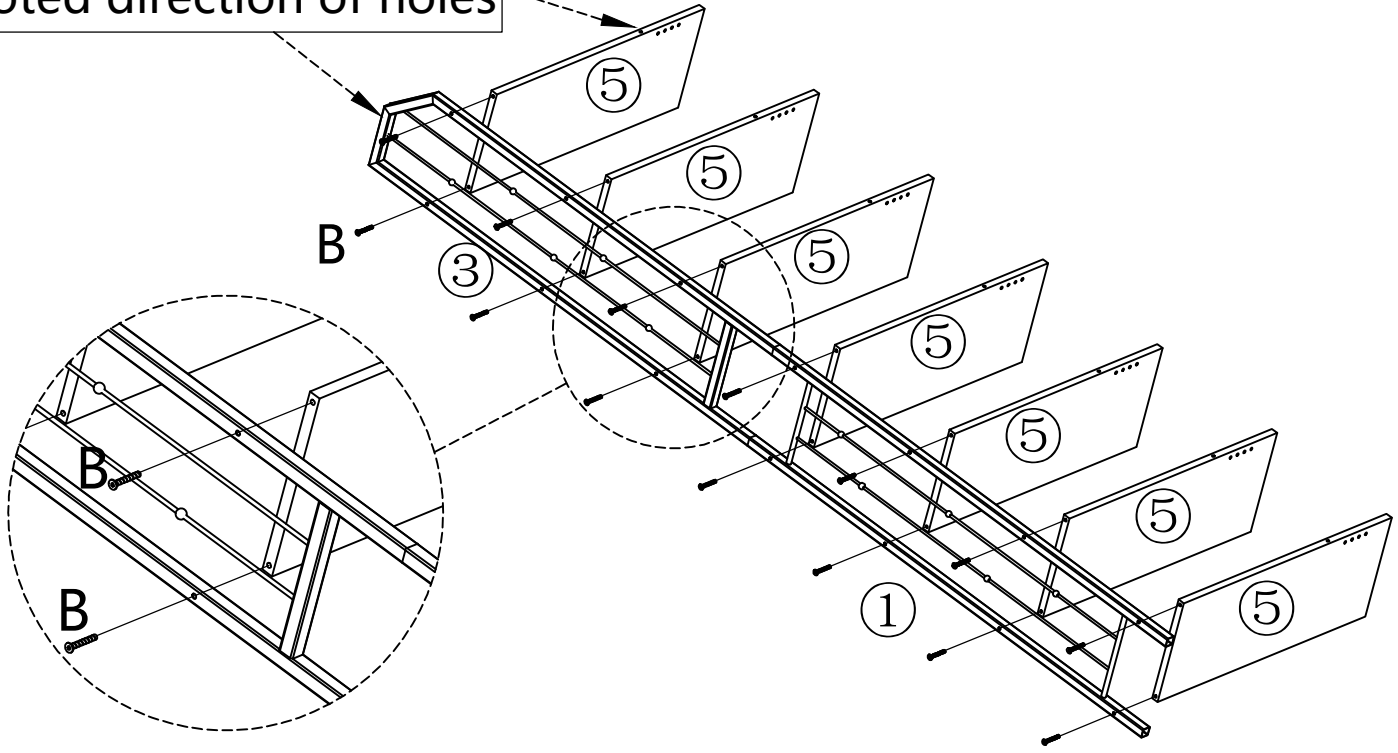
Noted direction of holes

HARDWARE LIST

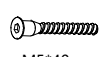
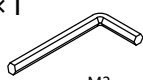
STEP 3

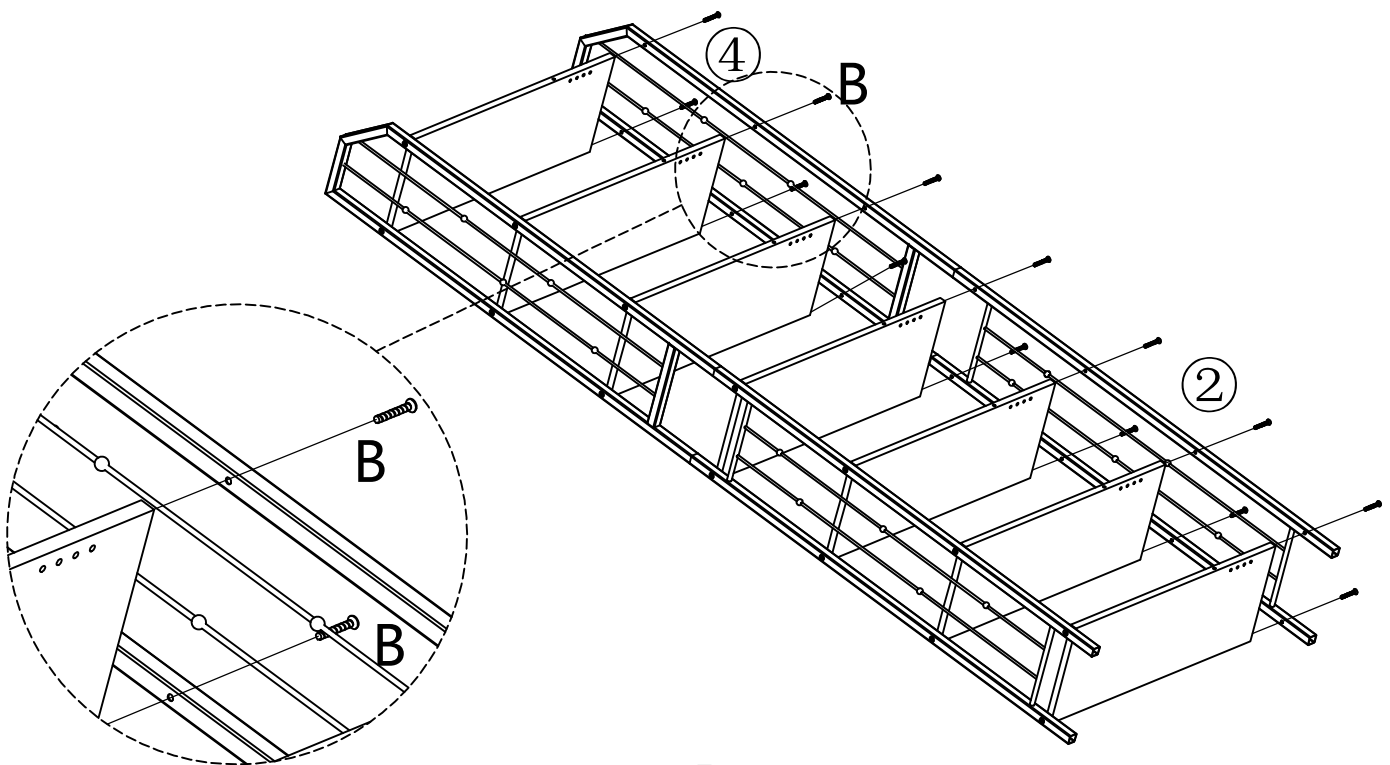
<p>$B \times 14$</p>  <p>M5*40mm</p>	<p>$l \times 1$</p>  <p>M3</p>		
--	--	--	--

Noted direction of holes



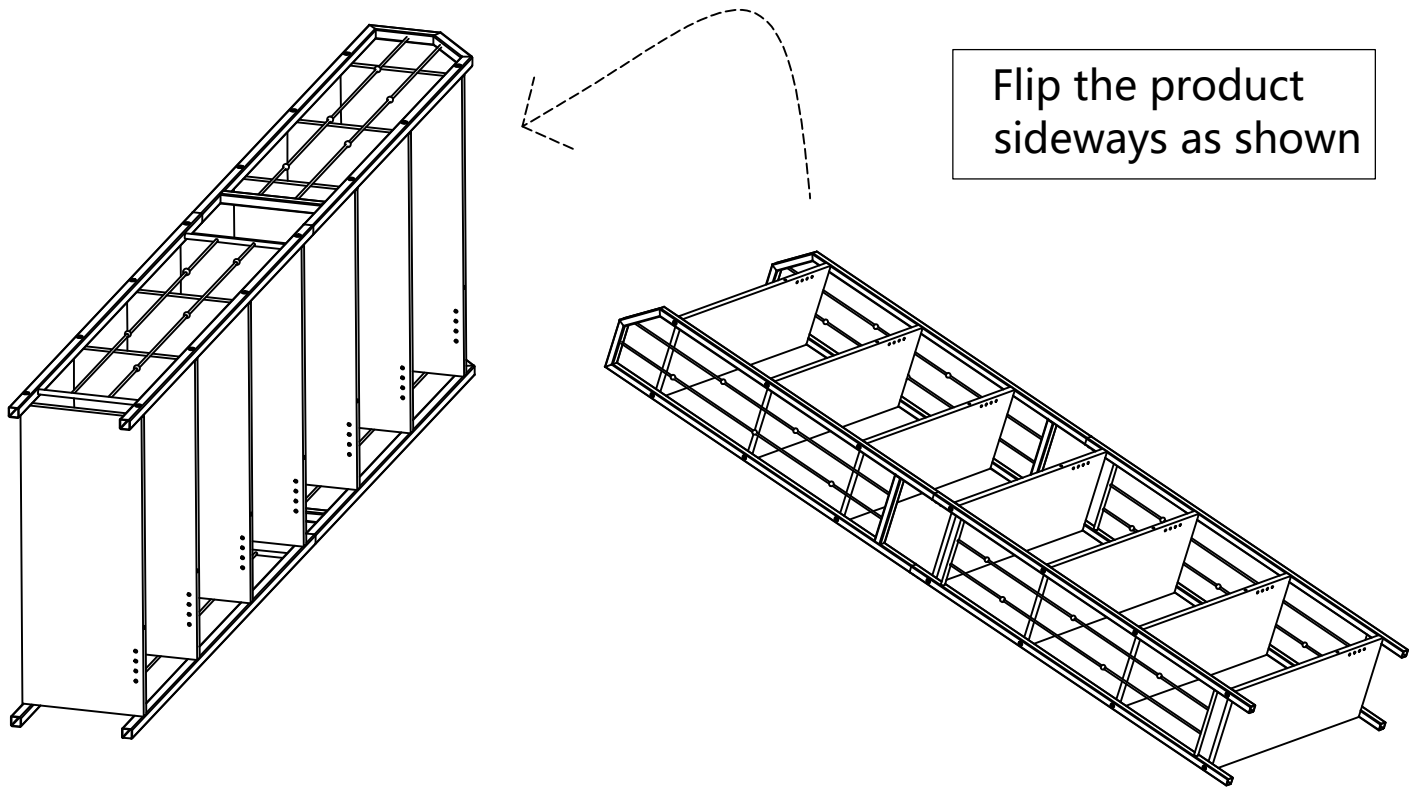
STEP 4

<p>$B \times 14$</p>  <p>M5*40mm</p>	<p>$l \times 1$</p>  <p>M3</p>		
--	--	--	--

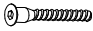



HARDWARE LIST

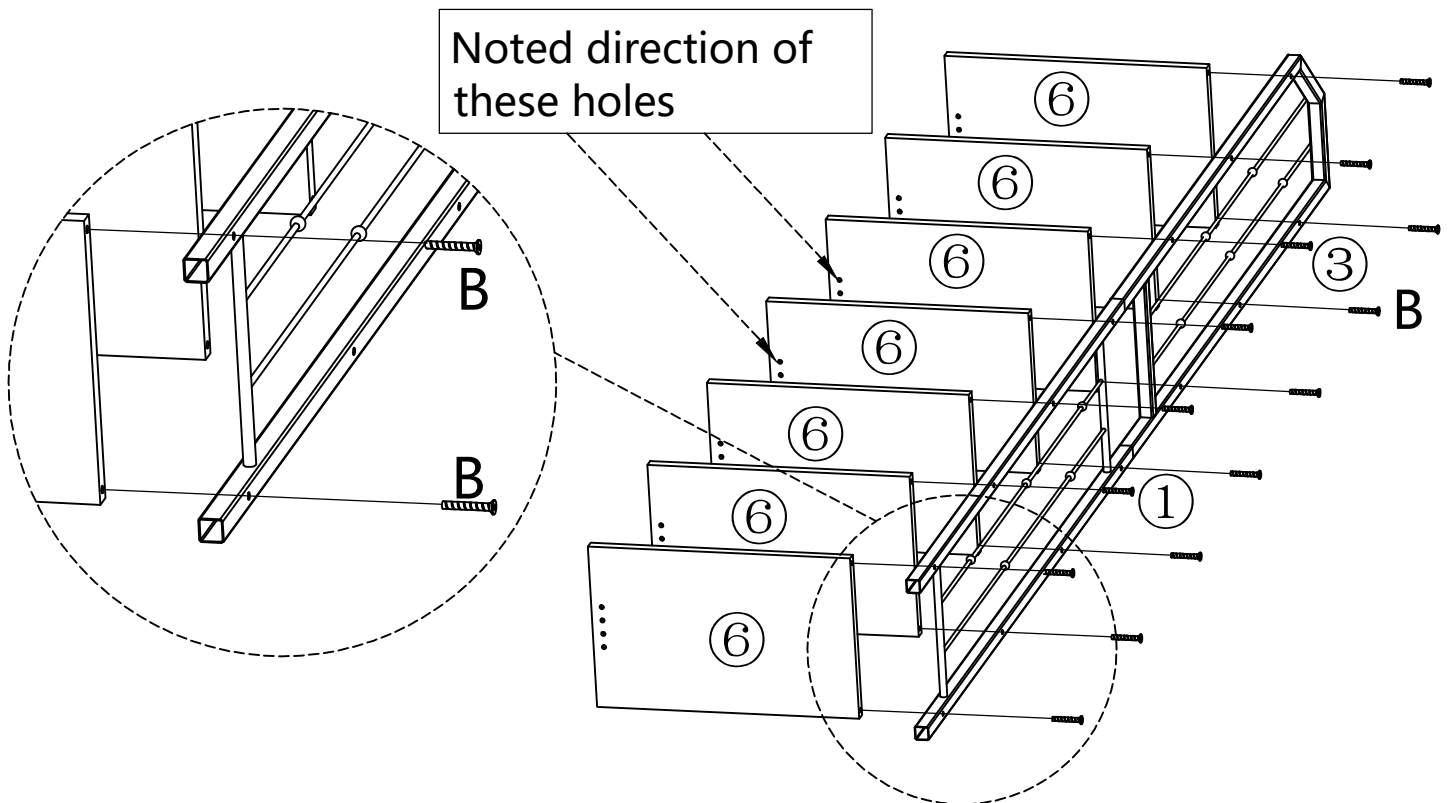
STEP 5



STEP 6

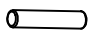
B × 14  M5*40mm	I × 1  M3		
---	---	--	--

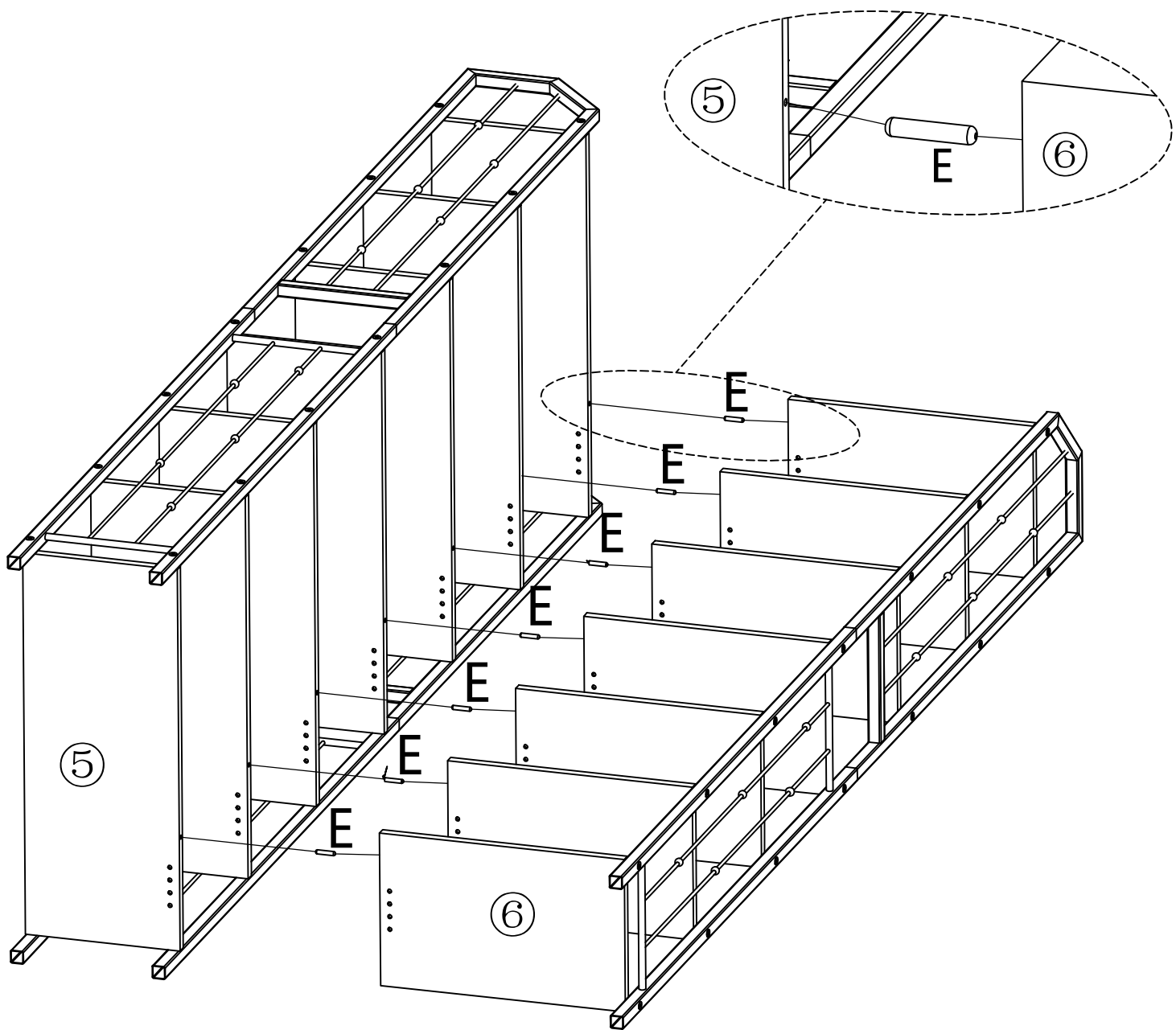
Noted direction of these holes



HARDWARE LIST

STEP 7




E ×7  6*30mm			
--	--	--	--

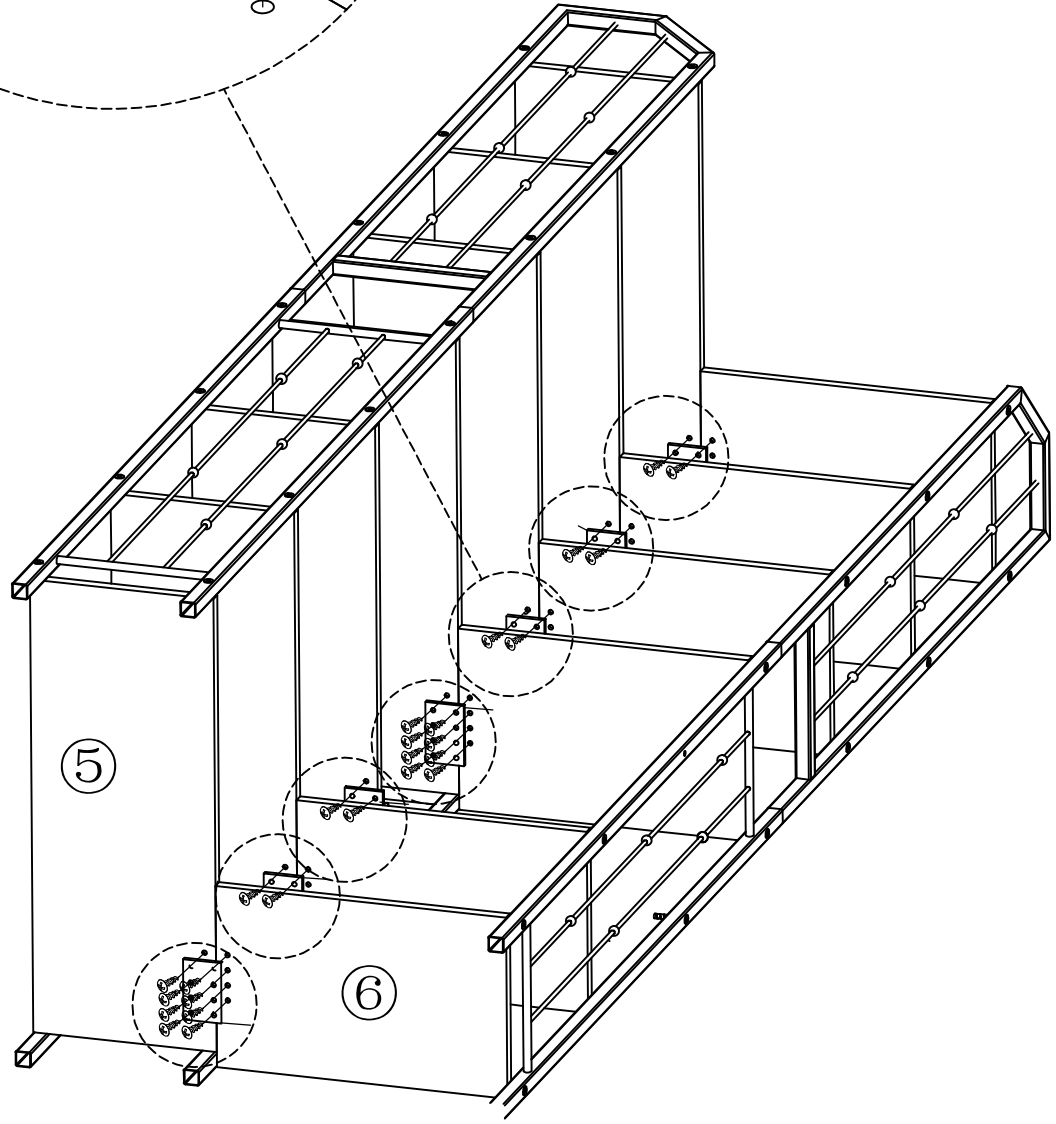
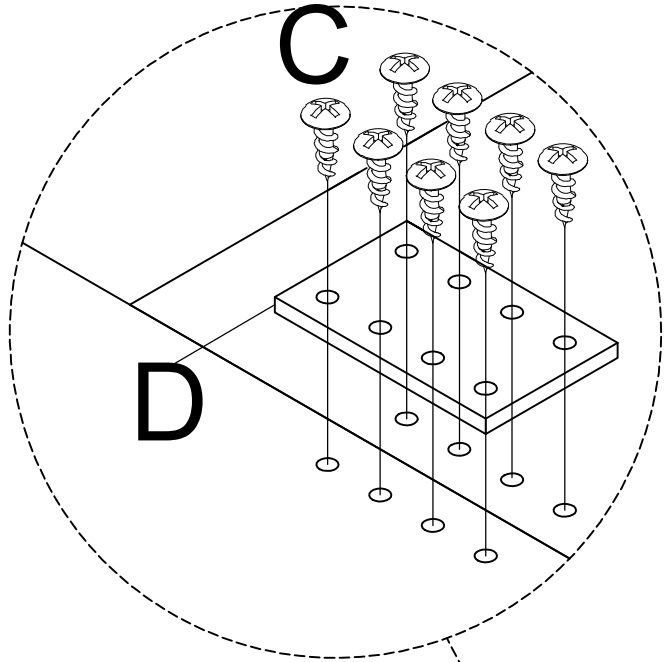


Noted the backpanel holes is downward

HARDWARE LIST

STEP 8

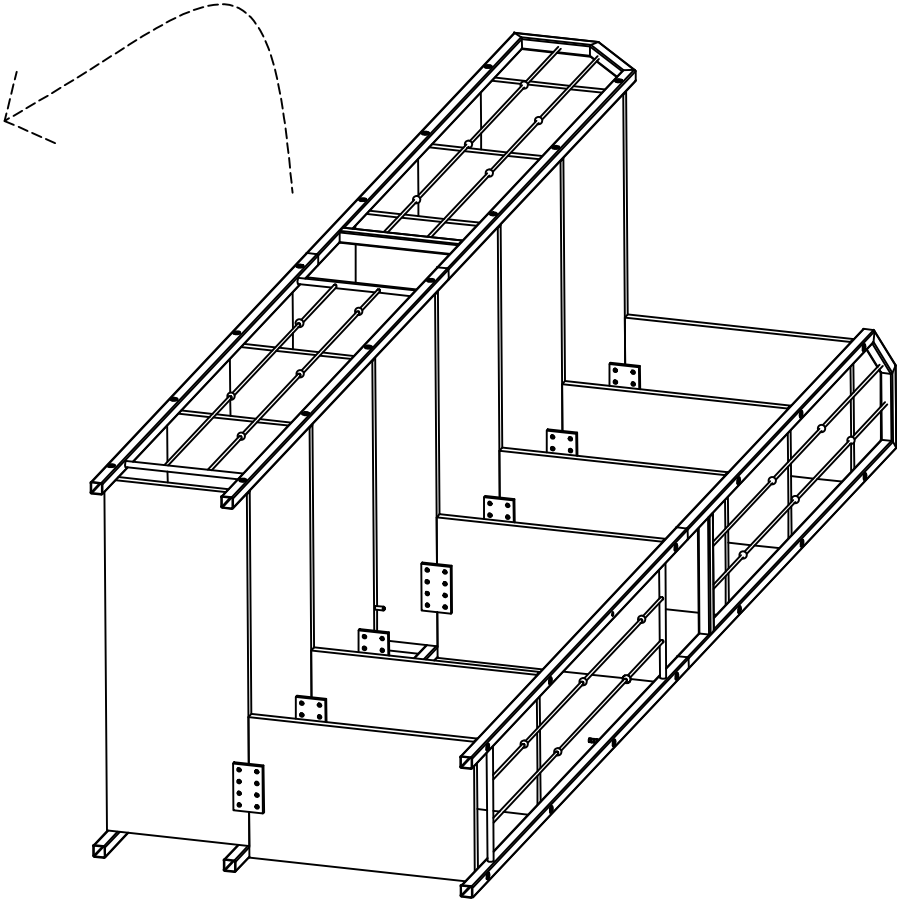
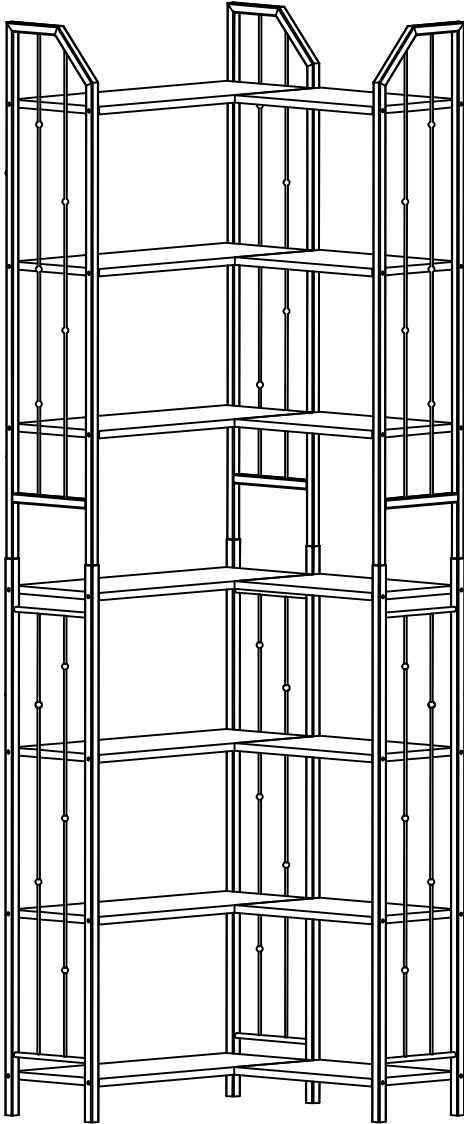
C ×56  4×12mm	D ×7 	J ×1  M4	
---	--	---	--



HARDWARE LIST


STEP 9

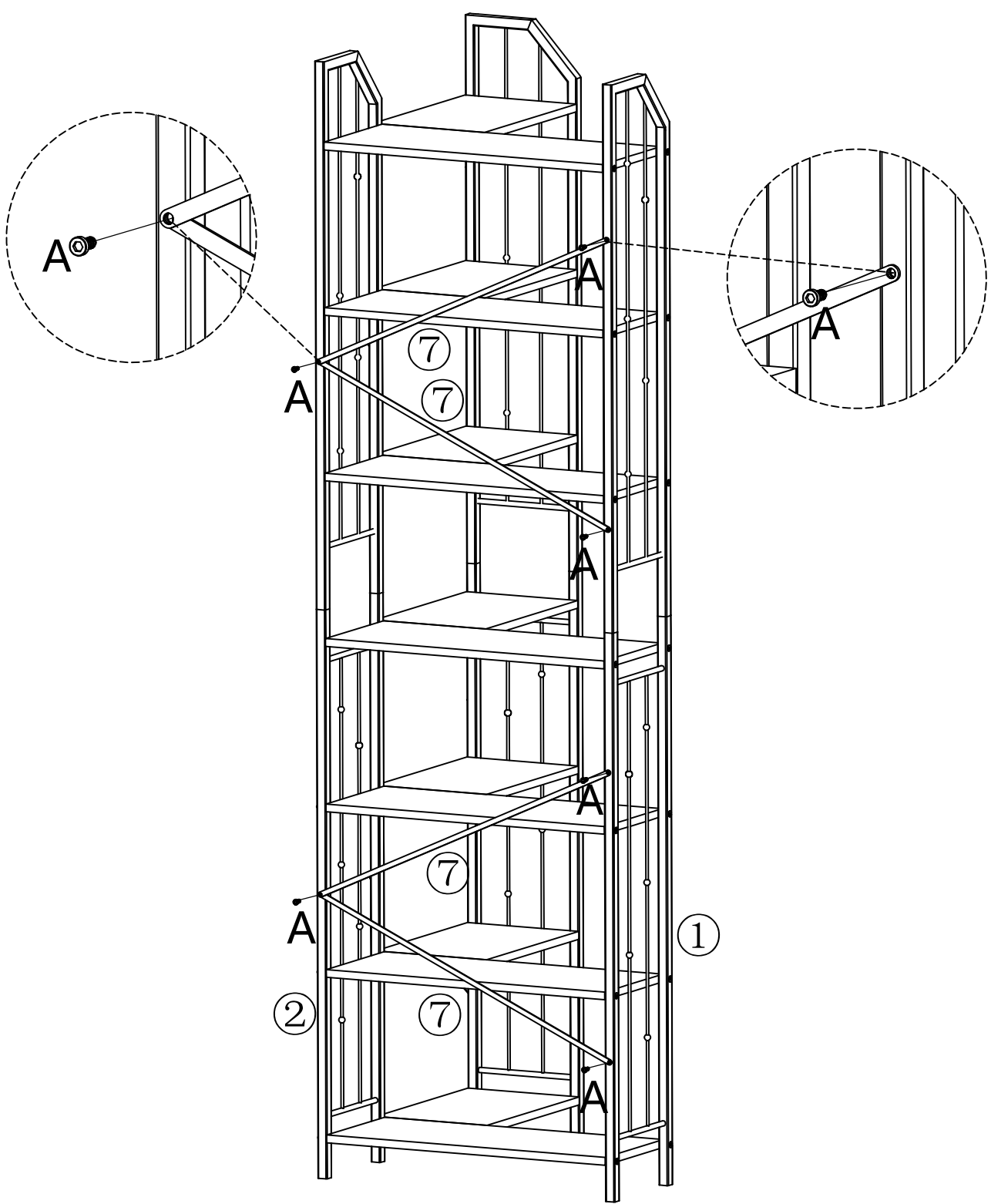
Please be careful
When you stand
up the product, 2
people is need



HARDWARE LIST


STEP 10

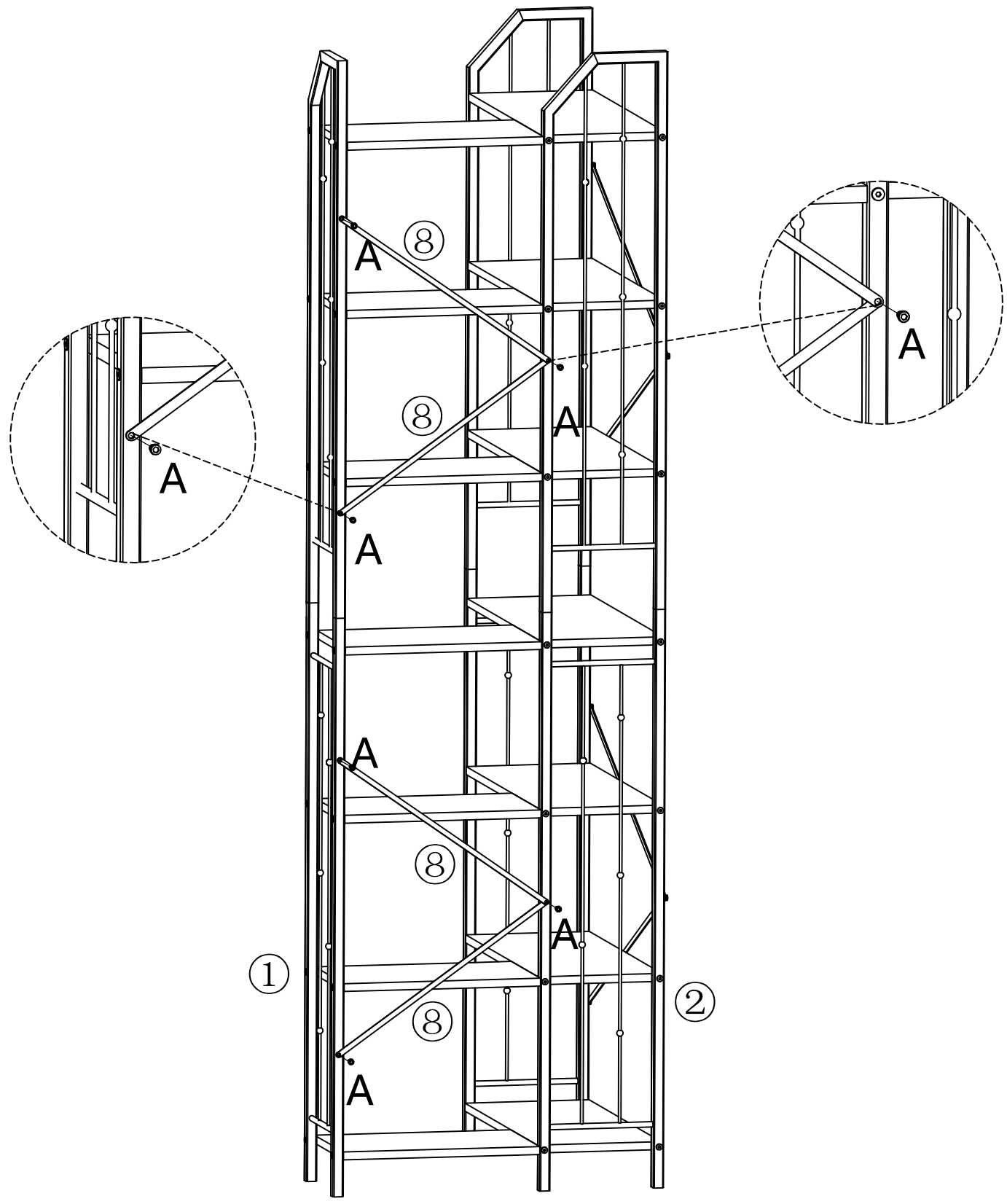
A × 6			
 M6*12mm			



HARDWARE LIST

STEP 11

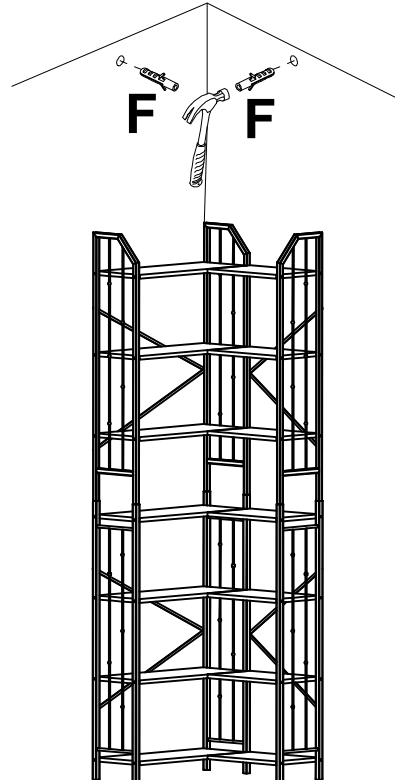
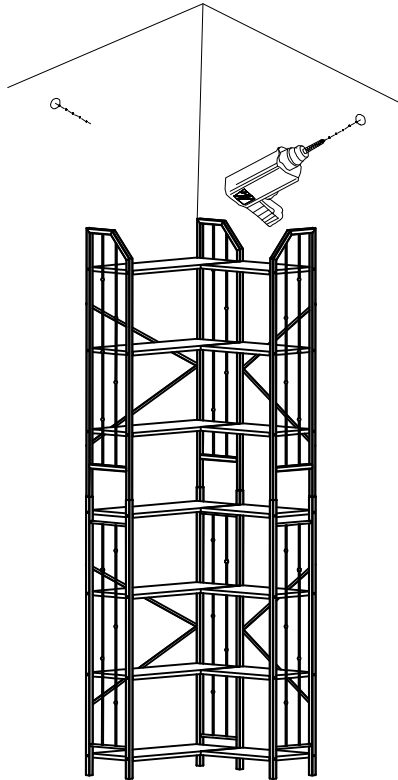
A x6  M6*12mm			
--	--	--	--





HARDWARE LIST

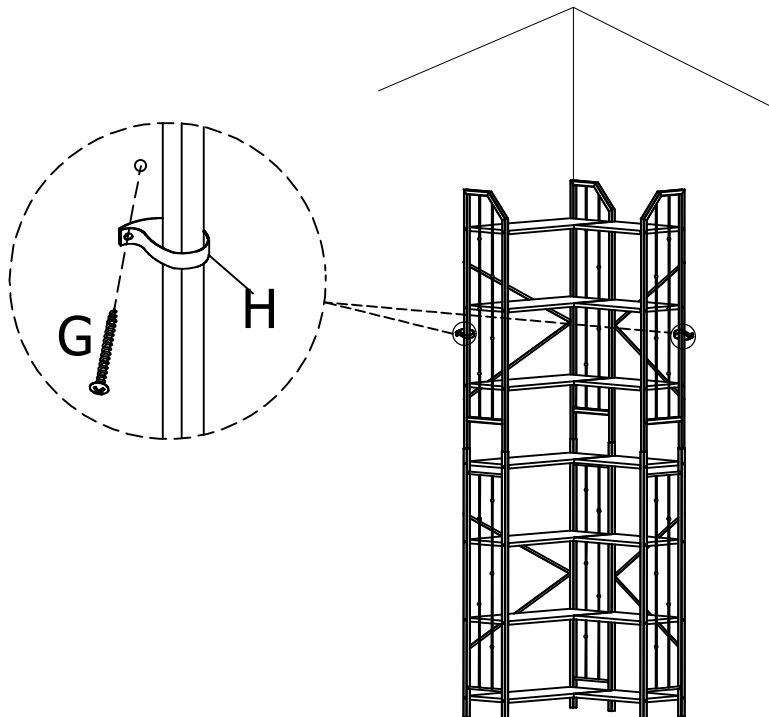
STEP 12

$F \times 2$  8*40mm			
---	--	--	--



STEP 13

$G \times 2$  4*50mm	$H \times 2$  200*20mm		
---	---	--	--



Dear customer, thank you for purchasing our products! We are proud to present our customers with high quality products!



If you have any product quality or use problems, please contact our customer service by purchase platform, we will ensure your satisfaction.



If you are satisfied with our products, please share your amazing experience with us and other customers! It would be our honor to hear from you!