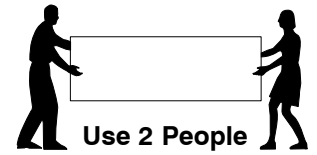
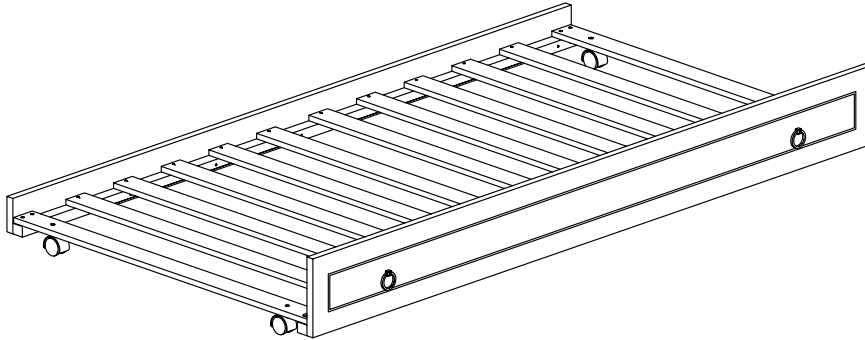


# Daybed Trundle

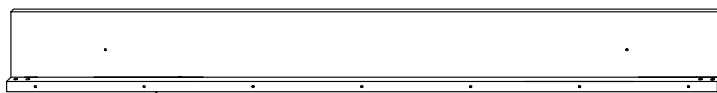
## Assembly Instructions

### 1 Assembled View

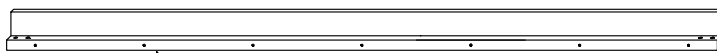


**Note:** Do not assemble using power tools. This can cause the bolts to be overtightened

### 2 Parts List



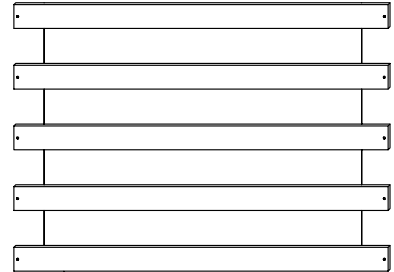
**A** Trundle Front Panel x 1



**B** Trundle Rear Panel x 1



**C** Trundle Support Rail x 2

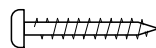


**D** Set of Slats x 2

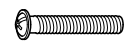
### 3 Hardware List



**1** M6 x 40mm JCB x 8



**2** Wood Screw (M4 x 32mm) x 20



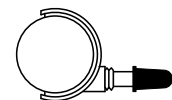
**3** Wood Screw (M4 x 22mm) x 2



**4** Allen Key x 1



**5** Handle x 2

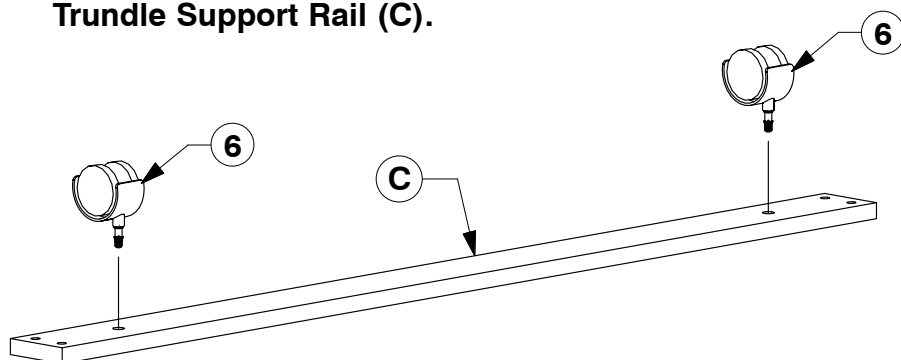


**6** Wheels x 4

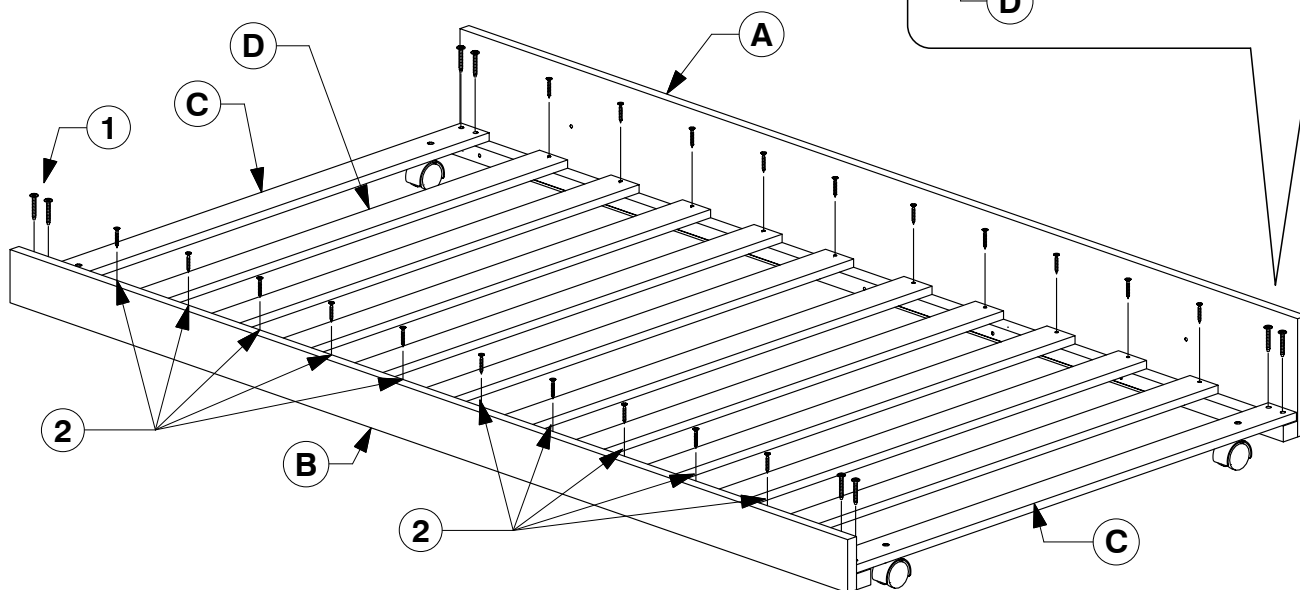
# Daybed Trundle

## Assembly Instructions

- 4** Fit the Wheels (6) to the Trundle Support Rail (C).



- 5** Assemble the Set of Slats (D) & Trundle Support Rail (C) to the Trundle Front Panel (A) & Trundle Rear Panel (B).



- 6** Fit the Handle (5) to the Trundle Front Panel (A).

