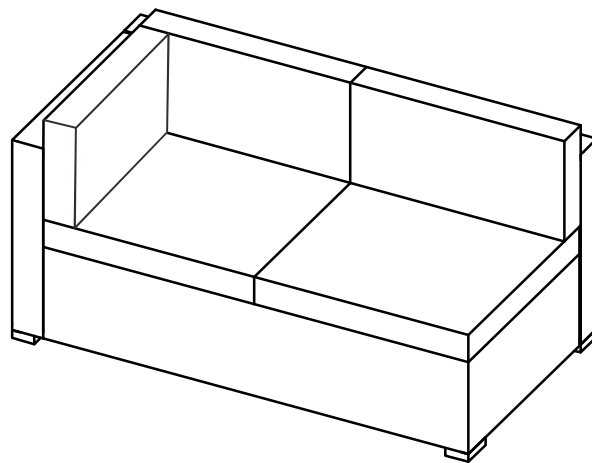
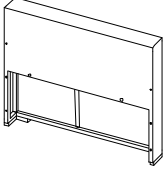
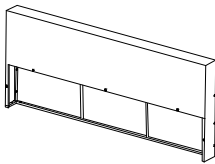
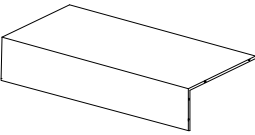
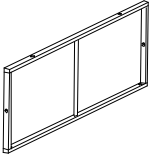








Corner Loveseat with Interchangeable Arm

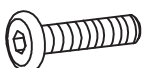
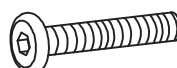
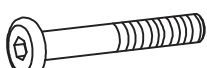





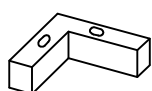
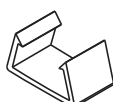


PART LIST

				
<p>Interchangeable Arm Panel 1 PC</p>	<p>Back Panel 1 PC</p>	<p>Seat Panel 1 PC</p>	<p>Side Panel 1 PC</p>	<p>Cover of Seat Cushion * 2 PCS</p>
				
<p>Core of Seat Cushion 2 PCS</p>	<p>Cover of Back Cushion * 2 PCS</p>	<p>Core of Back Cushion 2 PCS</p>	<p>Cover of Side Cushion * 1 PC</p>	<p>Core of Side Cushion 1 PC</p>

*Please note cushion covers will ship separately.

HARDWARE LIST

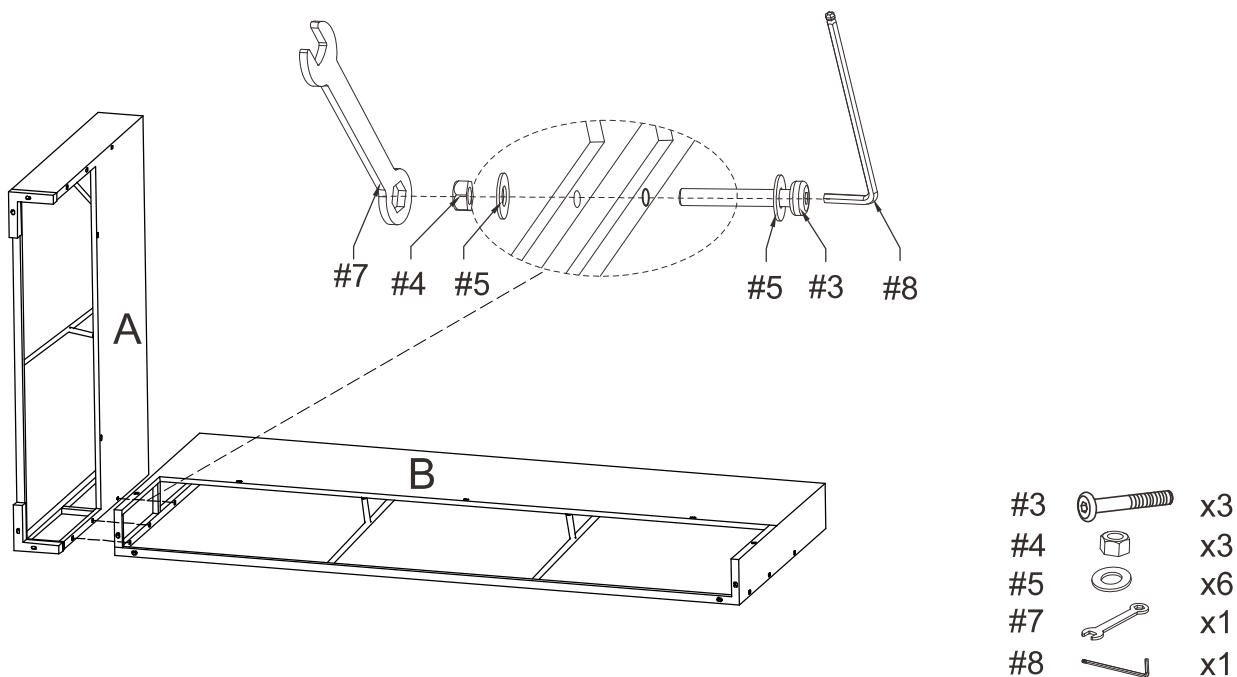
 <p>M6*30mm</p>	 <p>M6*35mm</p>	 <p>M6*50mm</p>	 <p>M6mm</p>	 <p>D 18mm</p>
<p>Short Bolt 3 PCS</p>	<p>Medium Bolt 4 PCS</p>	<p>Long Bolt 11 PCS</p>	<p>Nut 15 PCS</p>	<p>Washer 25PCS</p>
 <p>D 12mm</p>	 <p>M6mm</p>	 <p>M6mm</p>		
<p>Small Washer 4 PCS</p>	<p>Wrench 1 PC</p>	<p>Allen Key 1 PC</p>	<p>L Foot 2 PCS</p>	<p>Plastic Clip 2 PCS</p>

EXTRA HARDWARE LIST

<div data-bbox="81 152 140 208" data-label="Text">#1</div> <div data-bbox="156 241 296 309" data-label="Image"> </div> <div data-bbox="140 344 312 383" data-label="Text">M6*30mm</div>	<div data-bbox="359 152 418 208" data-label="Text">#2</div> <div data-bbox="411 241 587 309" data-label="Image"> </div> <div data-bbox="411 344 584 383" data-label="Text">M6*35mm</div>	<div data-bbox="636 152 695 208" data-label="Text">#3</div> <div data-bbox="679 241 884 309" data-label="Image"> </div> <div data-bbox="686 344 858 383" data-label="Text">M6*50mm</div>	<div data-bbox="914 152 973 208" data-label="Text">#4</div> <div data-bbox="1005 241 1094 315" data-label="Image"> </div> <div data-bbox="995 344 1114 383" data-label="Text">M6mm</div>	<div data-bbox="1192 152 1251 208" data-label="Text">#5</div> <div data-bbox="1276 241 1382 309" data-label="Image"> </div> <div data-bbox="1260 344 1401 383" data-label="Text">D 18mm</div>
<div data-bbox="140 405 312 479" data-label="Text">Short Bolt 1 PC</div>	<div data-bbox="389 405 601 479" data-label="Text">Medium Bolt 1 PC</div>	<div data-bbox="695 405 861 479" data-label="Text">Long Bolt 1 PC</div>	<div data-bbox="1005 405 1091 479" data-label="Text">Nut 1 PC</div>	<div data-bbox="1256 405 1393 479" data-label="Text">Washer 1 PC</div>
<div data-bbox="81 504 140 560" data-label="Text">#6</div> <div data-bbox="172 595 255 647" data-label="Image"> </div> <div data-bbox="156 685 292 723" data-label="Text">D 12mm</div> <div data-bbox="98 752 344 835" data-label="Text">Small Washer 1 PC</div>				

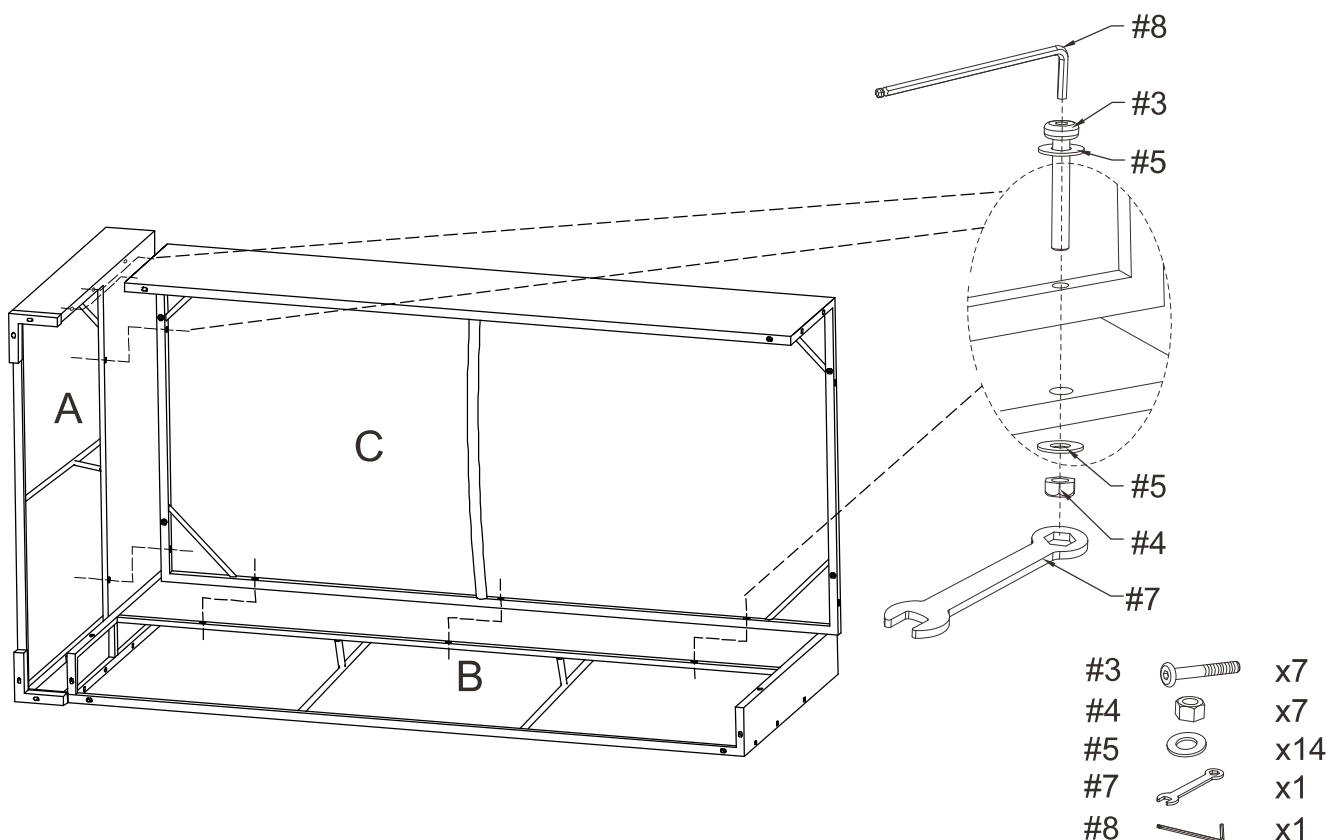
Step 1. Lay back panel (part B) down on a soft flat surface, such as carpet, as shown below. Attach interchangeable arm panel (part A) to left or right side (depending on preference) of back panel (part B) using long bolts(part #3),washers(part #5),nuts (part #4),wrench(part #7) and allen key (part #8).

NOTE:Please do not fully tighten bolts until unit is fully assembled.



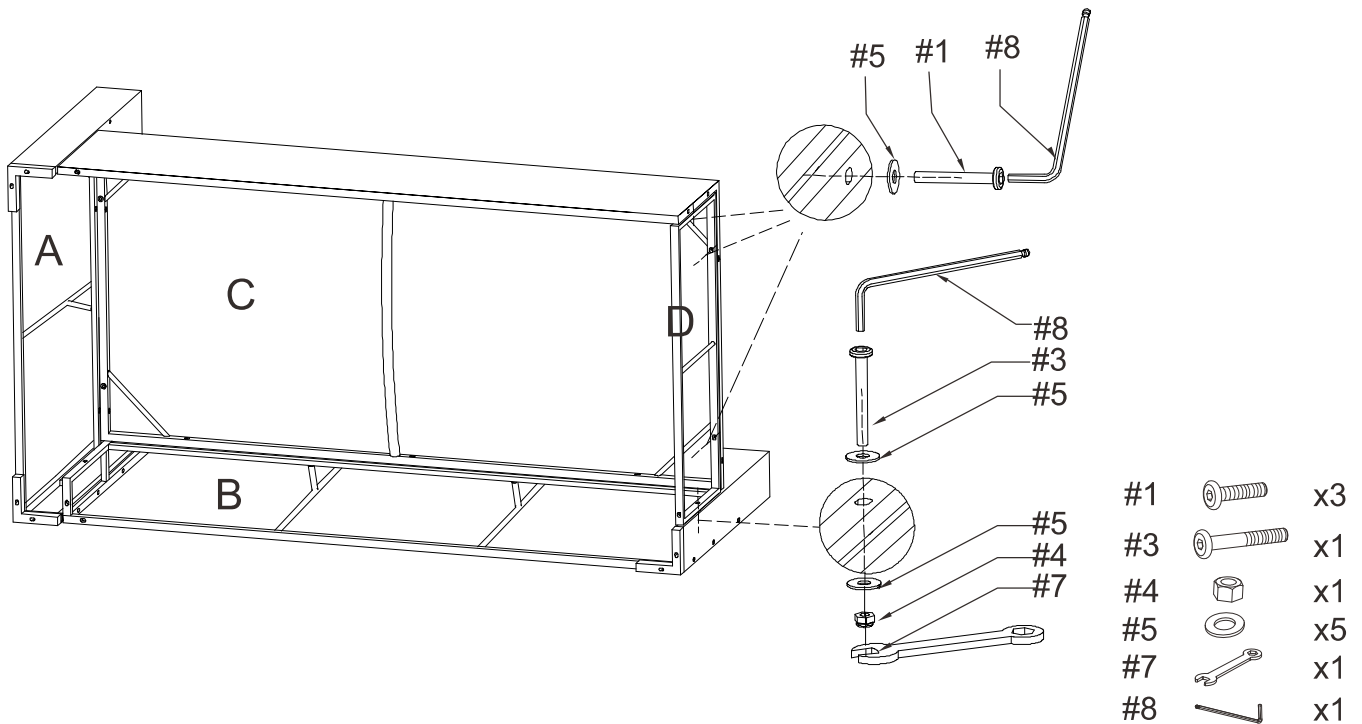
Step 2. Attach seat panel (part C) to assembled unit (parts A&B) using long bolts (part #3), washers (part #5) ,nuts (part #4),wrench (part #7) and allen key (part #8).

NOTE:Please do not fully tighten bolts until unit is fully assembled.



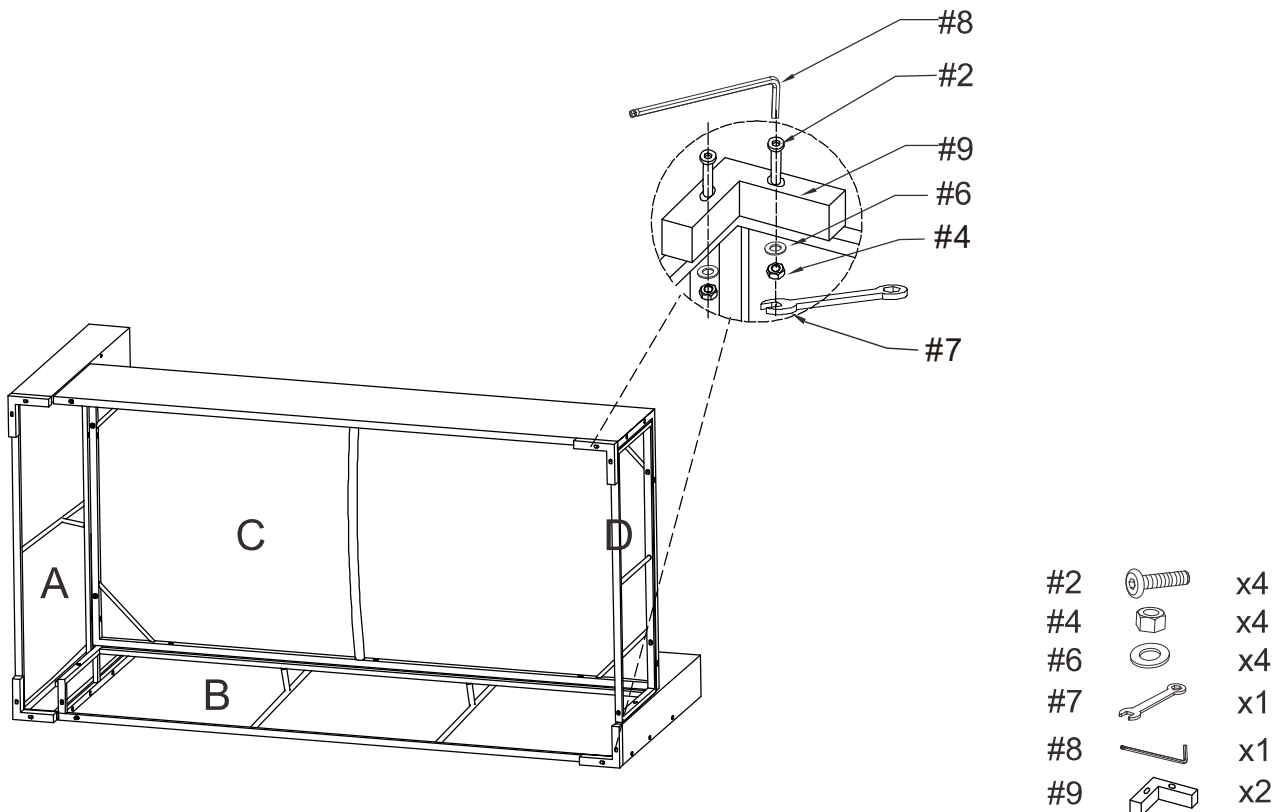
Step 3. Attach side panel (part D) to back panel (part B) and seat panel (part C) using short bolts (part #1), long bolt (part #3), washers (part #5), nuts (part #4), wrench (part #7) and allen key (part #8).

NOTE: Please do not fully tighten bolts until unit is fully assembled.

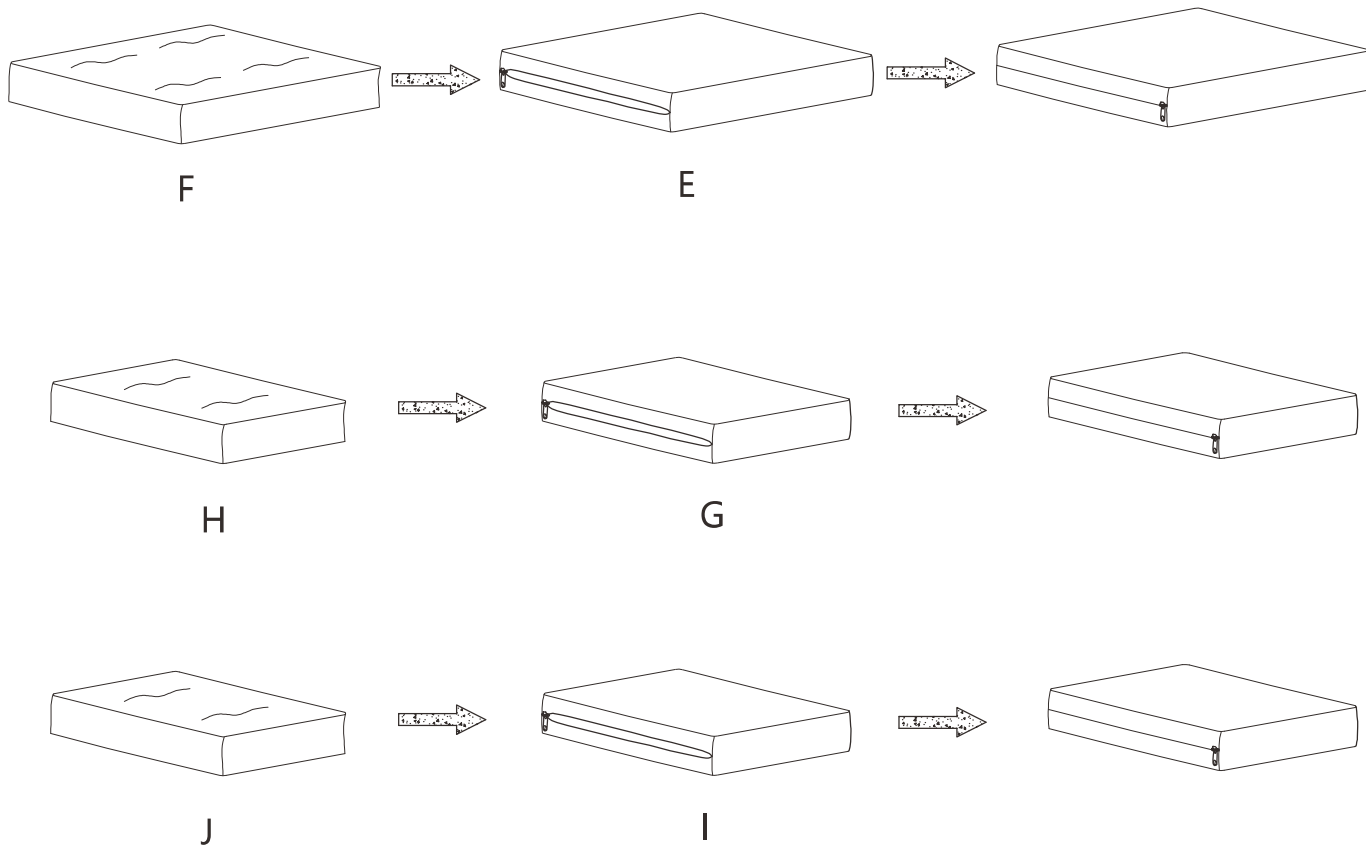


Step 4. Attach L foot (part #9) to assembled unit (parts B,C&D) using medium bolts (part #2) small washers (part #6), nuts (part #4), wrench (part #7) and allen key (part #8).

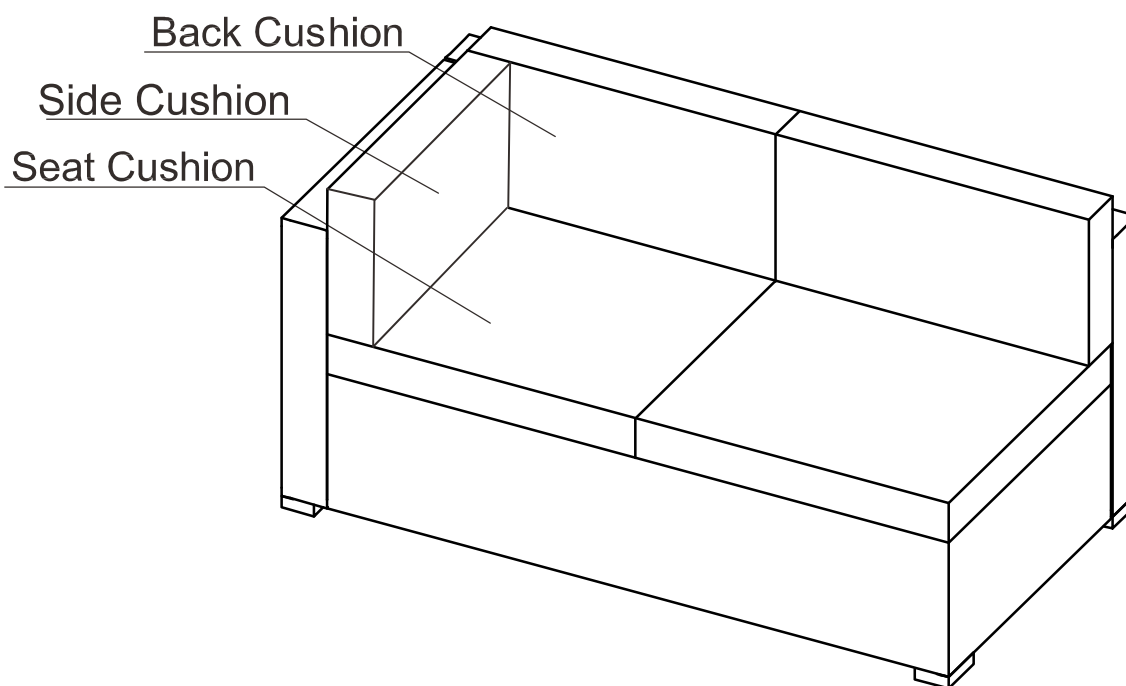
NOTE: Please fully tighten all bolts at this time.



Step 5. Insert core of seat cushion (part F) into cover of seat cushion (part E).
Insert core of back cushion (part H) into cover of back cushion (part G).
Insert core of side cushion (part J) into cover of side cushion (part I).



Step 6. Carefully turn the assembled loveseat upright and add cushions as shown below.



Step 7. Use plastic clips (part #10) to secure additional units together as shown.

