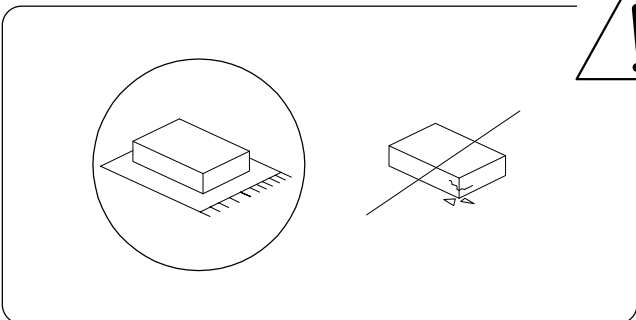
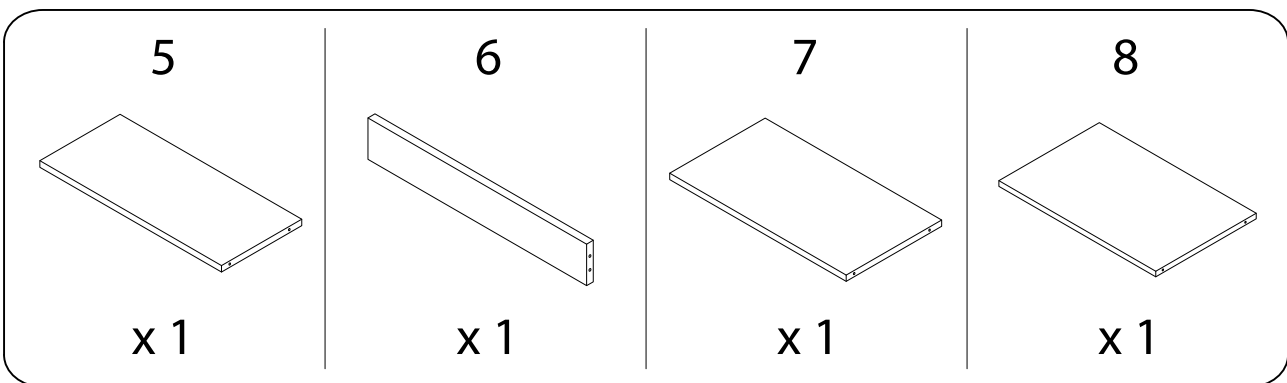
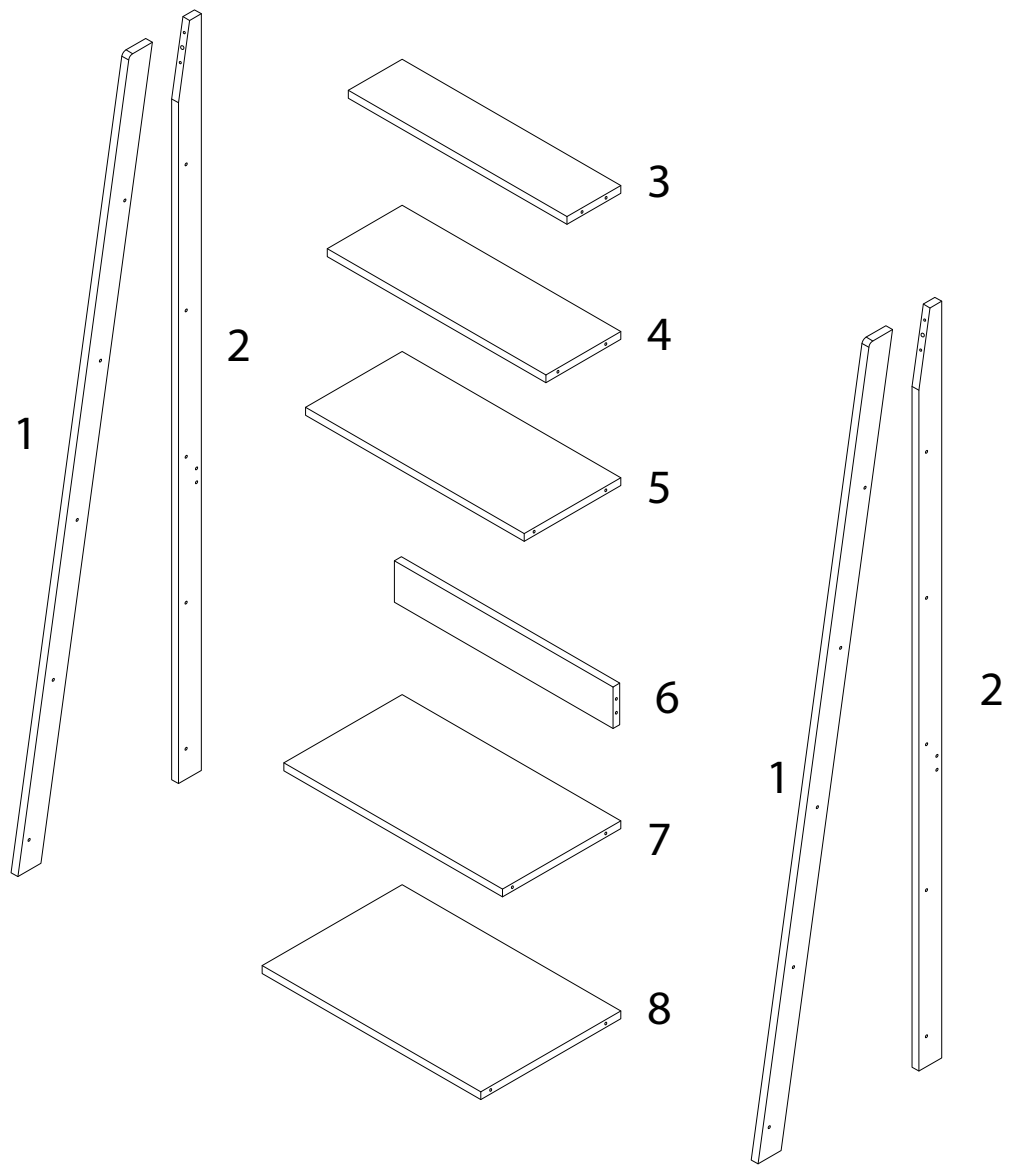
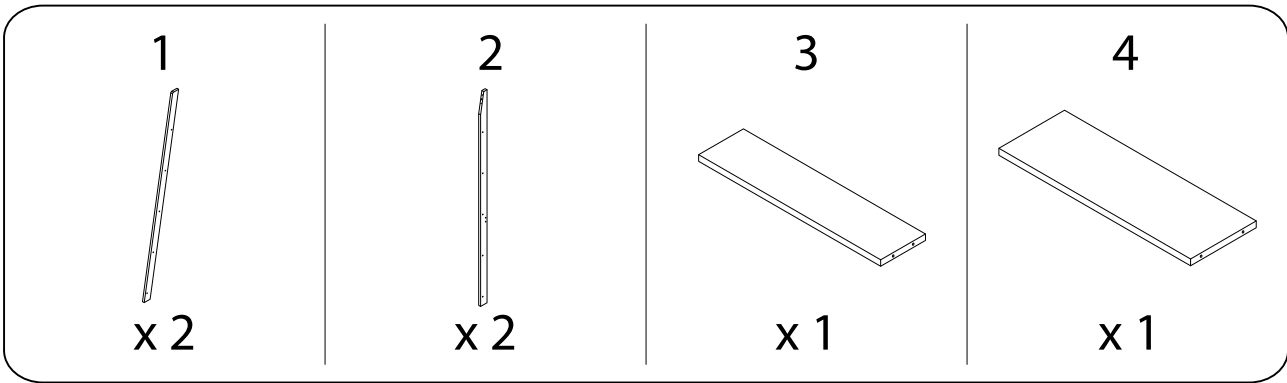


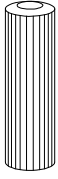
30'



2

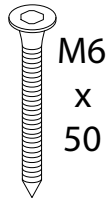


A



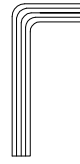
x 2

B



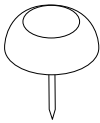
x 28

C



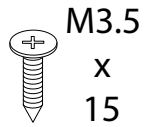
x 1

D



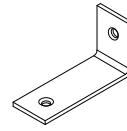
x 4

E



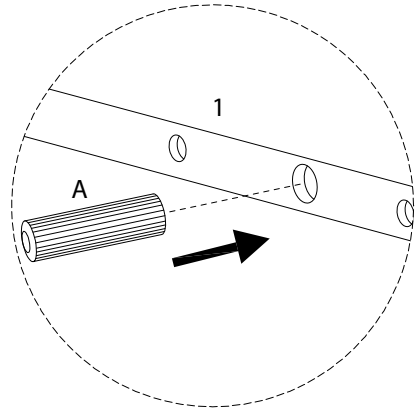
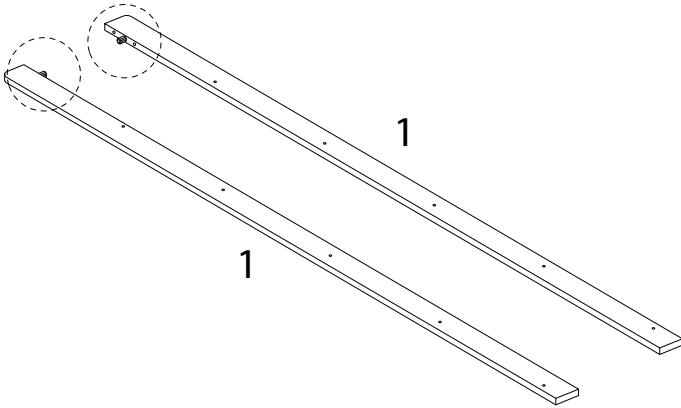
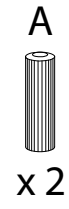
x 2

F

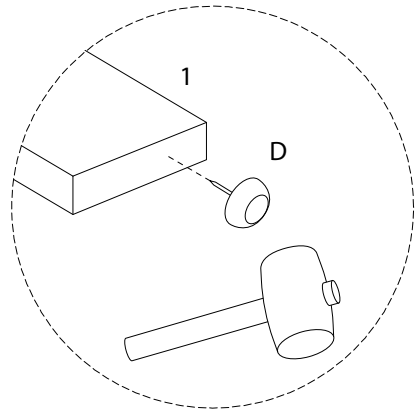
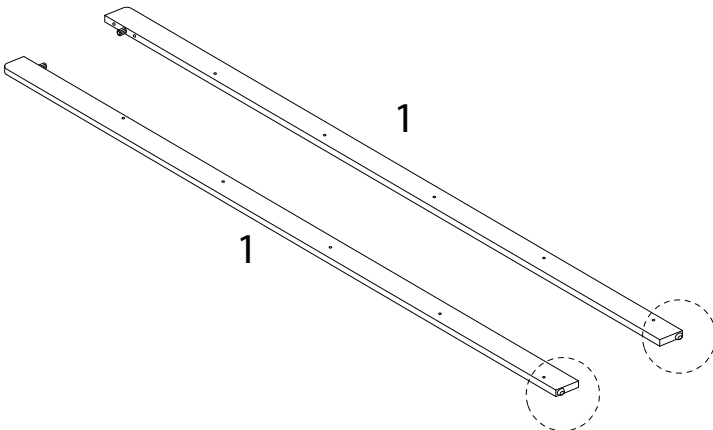
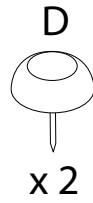


x 2

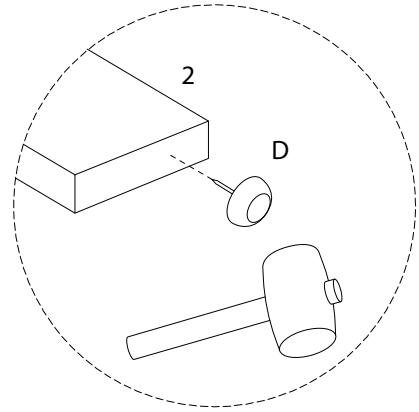
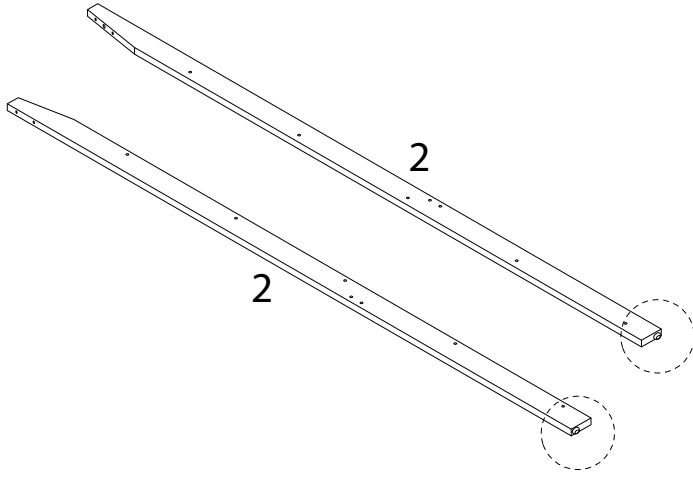
1



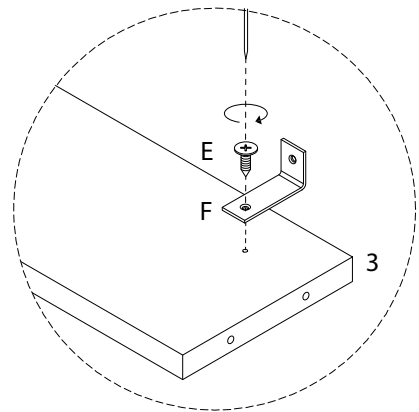
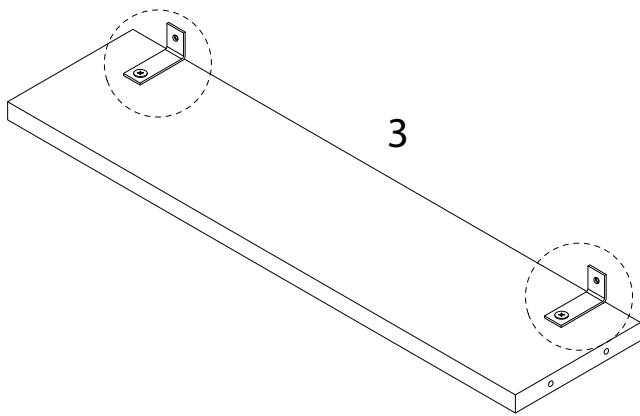
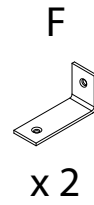
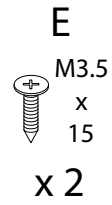
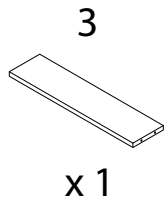
2



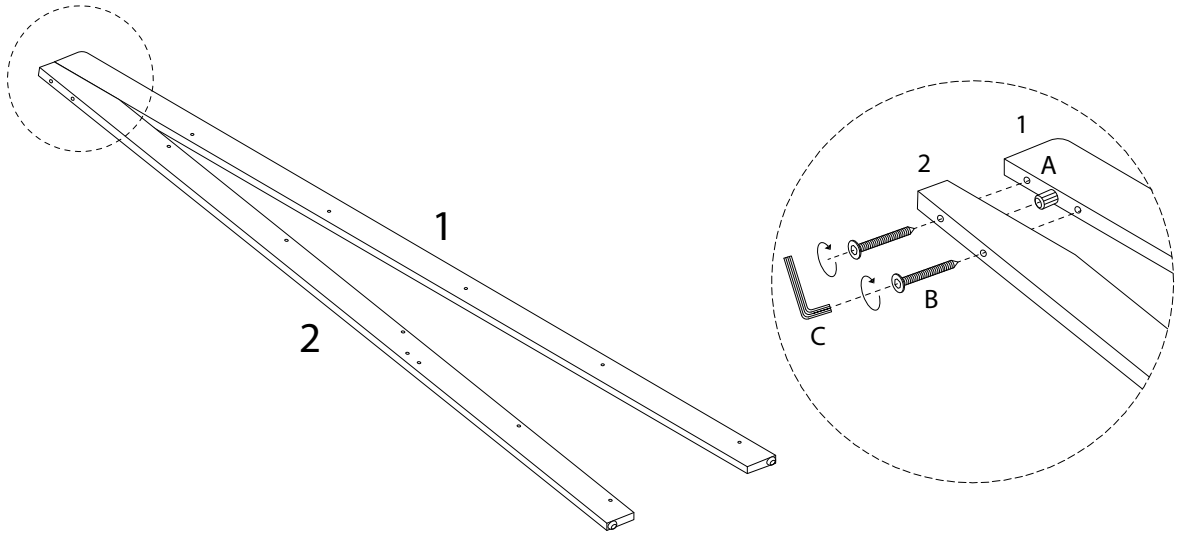
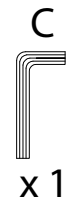
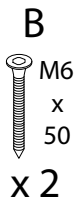
3



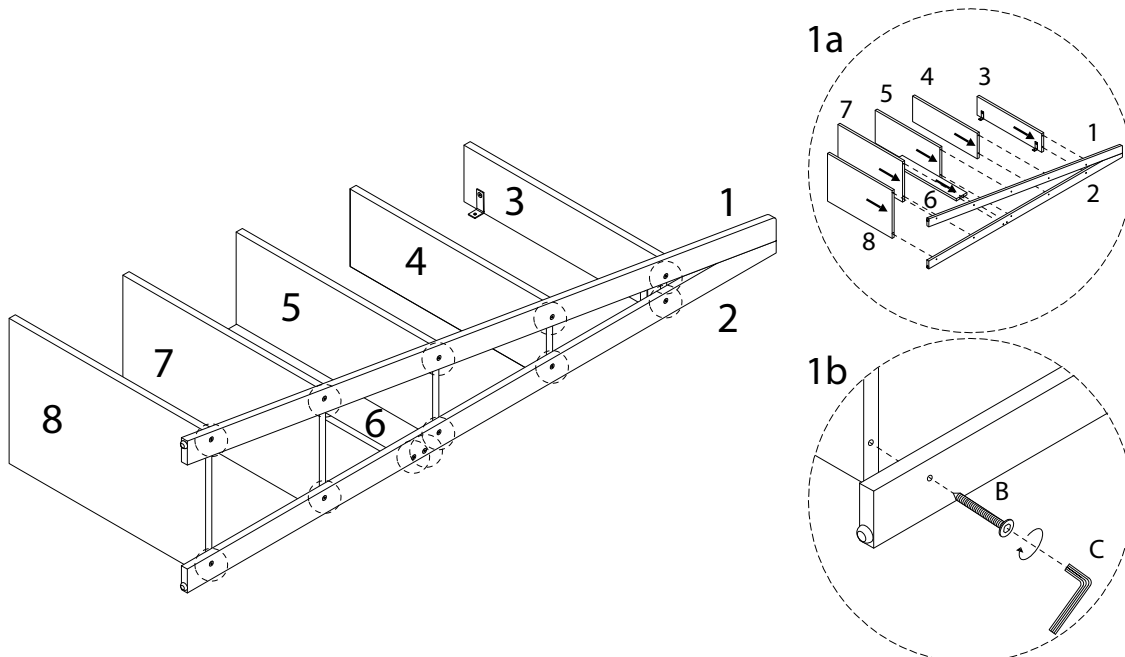
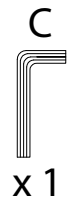
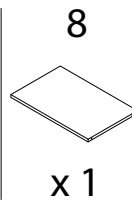
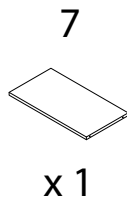
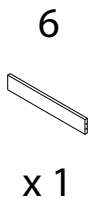
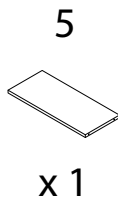
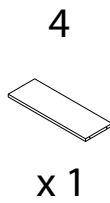
4



5 x 2



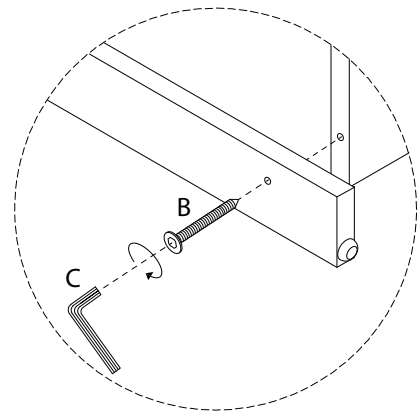
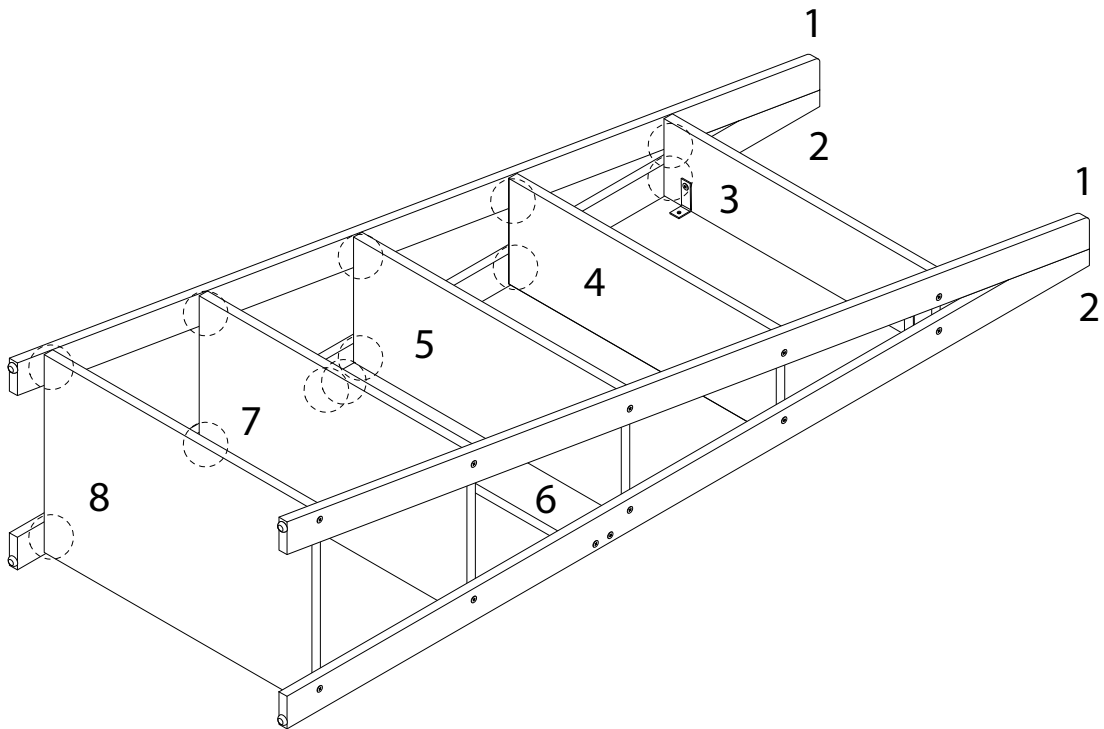
6



7

B
M6
x
50
x 12

C
x 1



!

