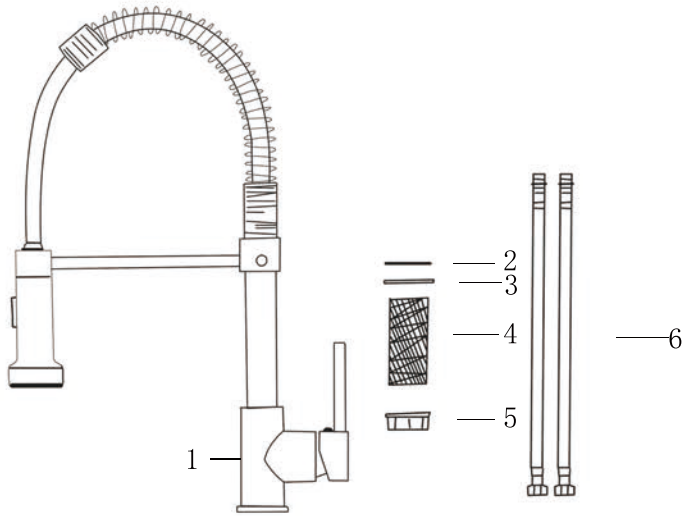


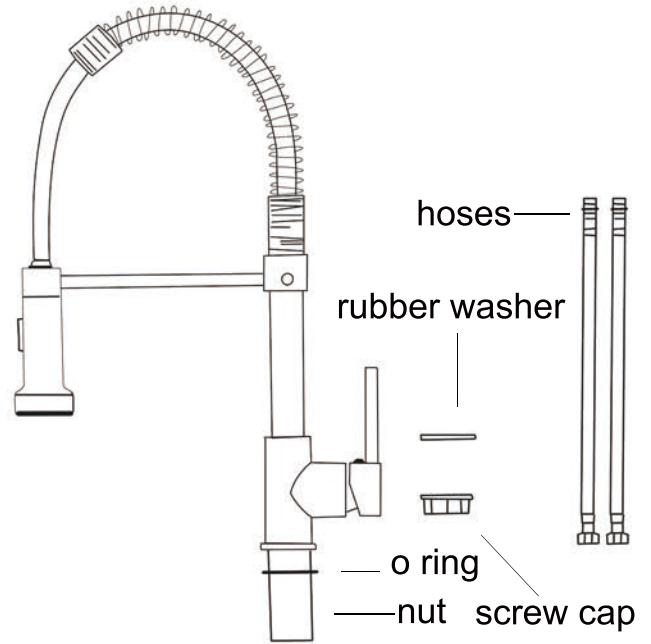
Installation Instructions

1. All accessories

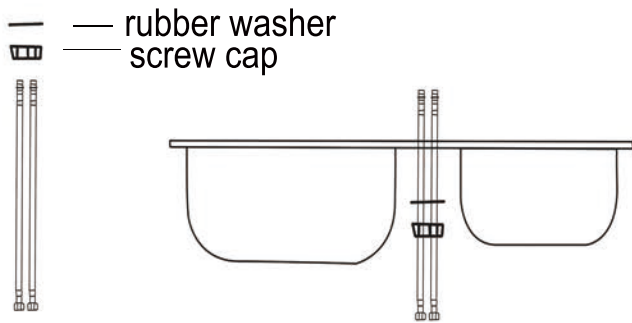


- 1. faucet
- 2. o ring
- 3. rubber washer
- 4. nut
- 5. screw cap
- 6. hoses

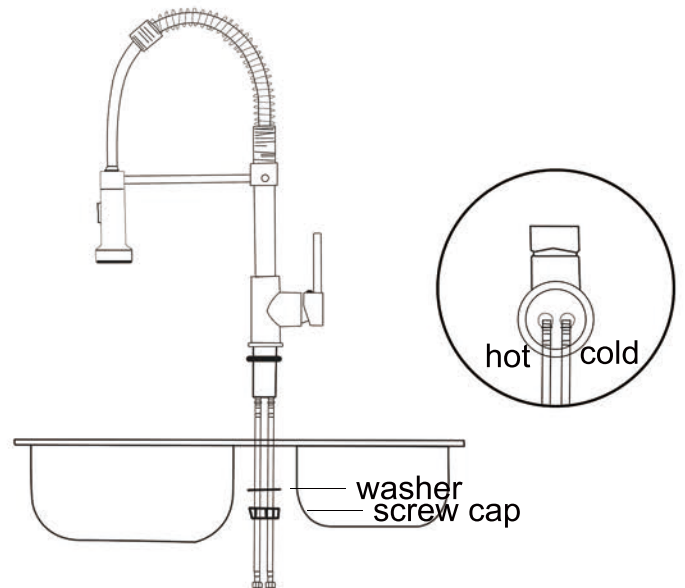
2. Connect the nut to base of faucet



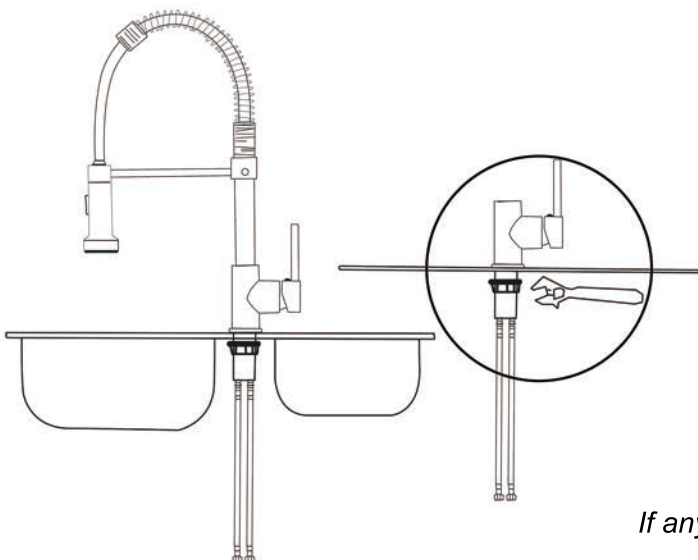
3. Get through installation hole



4. Tighten hose to faucet by hand



5. Use tool to fasten



Lordear[®]
www.lordear.com

If any question, welcome to contact us at lordearproducts@gmail.com