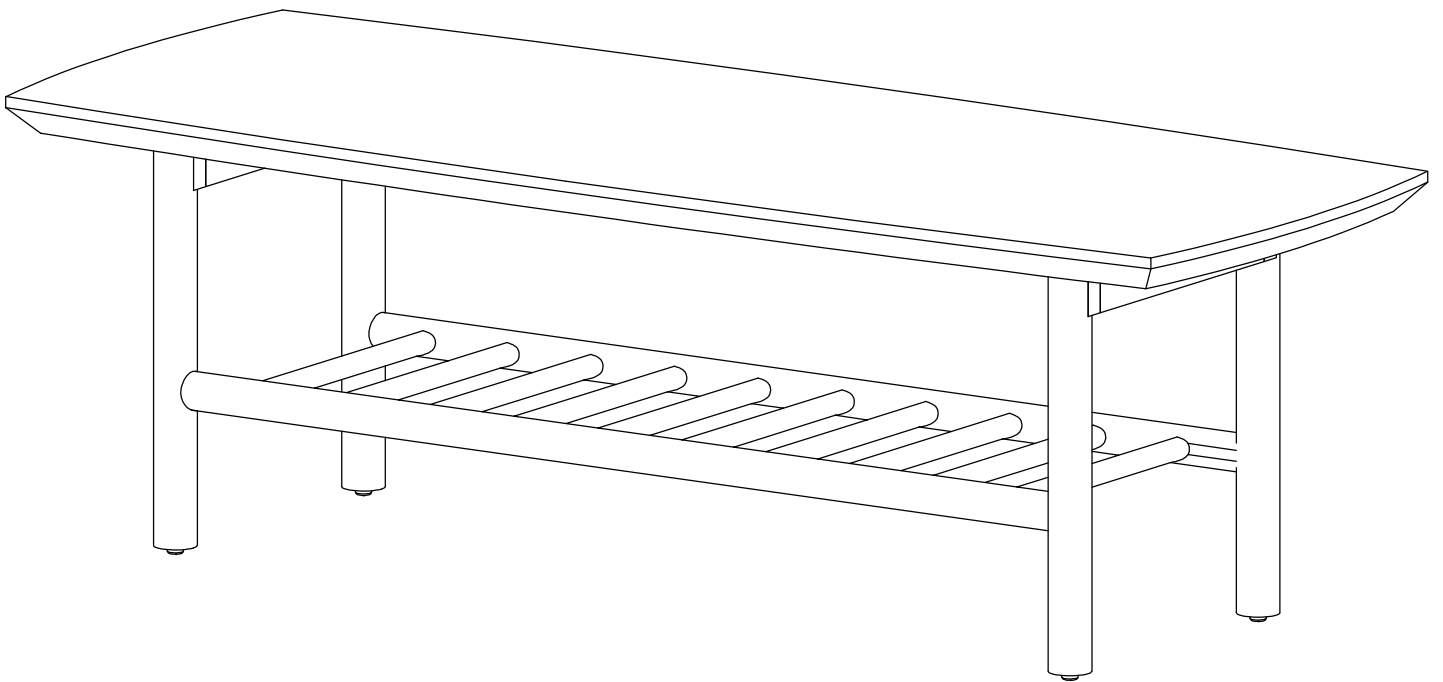


Assembly Instructions

RECTANGLE COFFEE TABLE



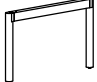









RECTANGLE COFFEE TABLE

ASSEMBLY INSTRUCTIONS

Please kindly read these instructions carefully and keep for future reference. Refer to parts inventory for guidance, and ensure you have all pieces before starting. When assembling, place all parts on a soft, clean, and flat surface such as a carpet to prevent scratches. If you're having difficulty, our friendly Customer Care team is always here to help.



PART LIST			
ID	DESCRIPTION		QTY
(A)		Top	1 pc
(B)		Frame	1 pc
(C)		Legs	2 pcs

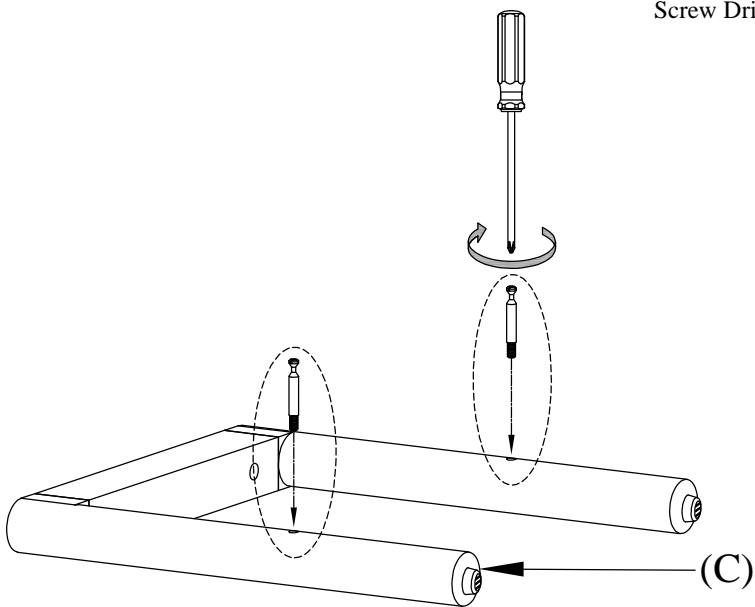
HARDWARE LIST			
		Three in one connector screw	4 pcs
			
			
		Bolt M8x60	4 pcs
		Spring Washer Ø8.5xØ19	4 pcs
		Flat Washer Ø8.5xØ12	4 pcs
		Allen Key	1 pc

Note: Make sure you have all the parts and hardware with quantity listed above before assembling the product. A screwdriver is also required (not included)

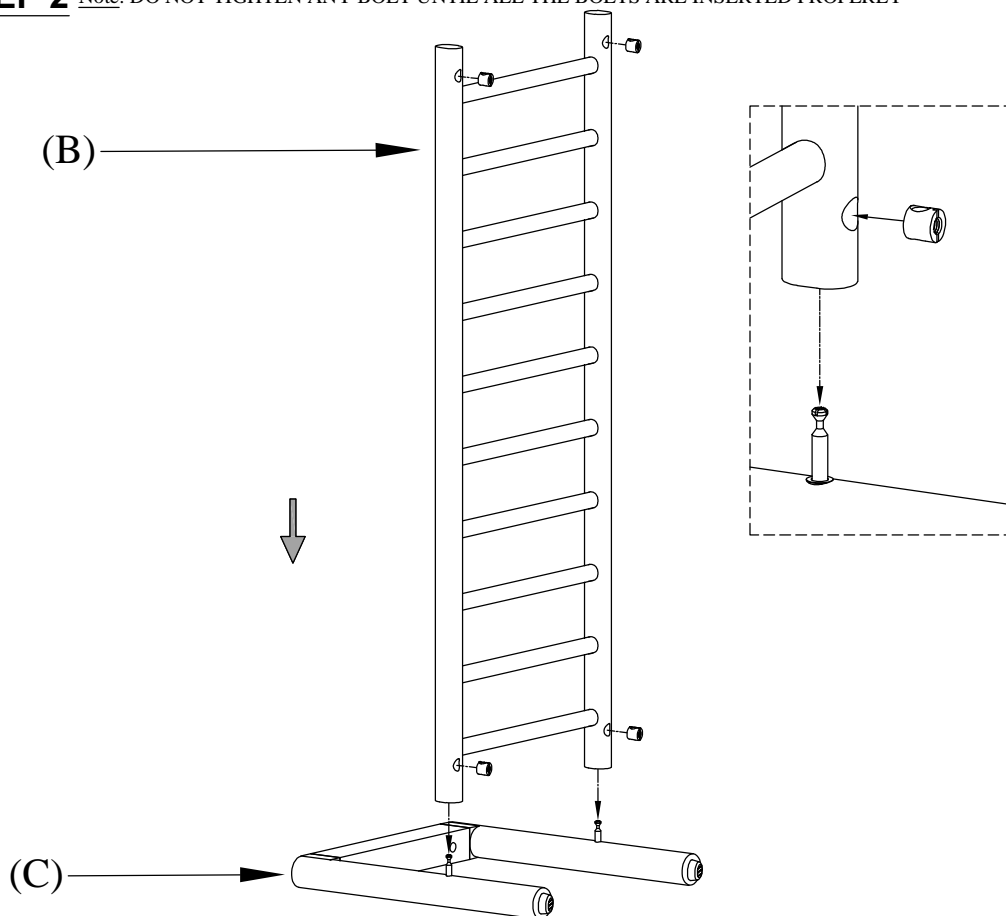
RECTANGLE COFFEE TABLE

STEP 1

Screw Driver (not Included)

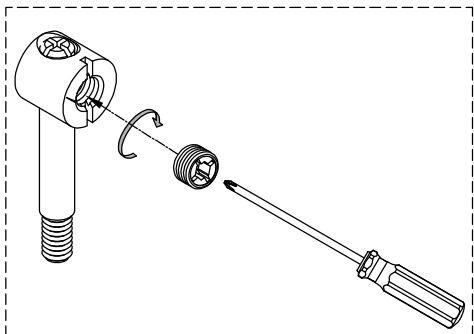
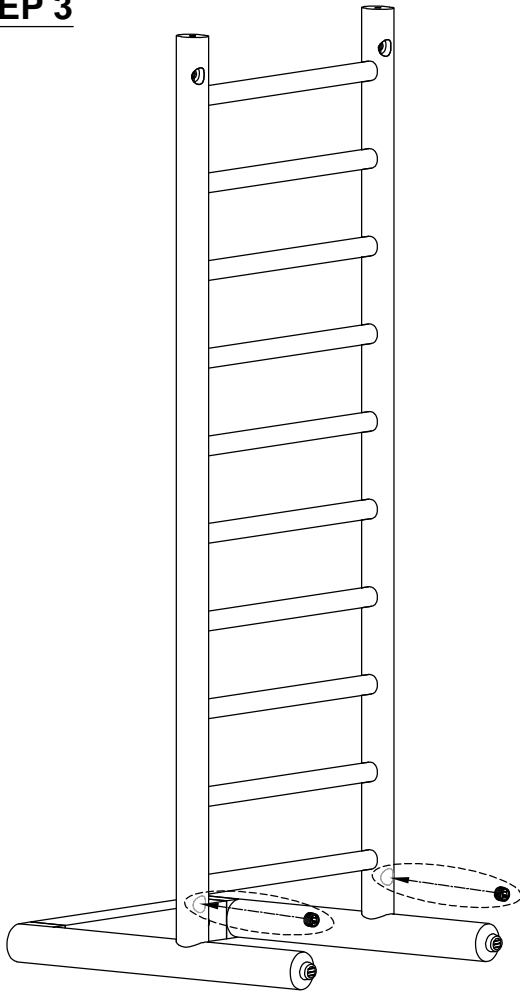


STEP 2 Note: DO NOT TIGHTEN ANY BOLT UNTIL ALL THE BOLTS ARE INSERTED PROPERLY



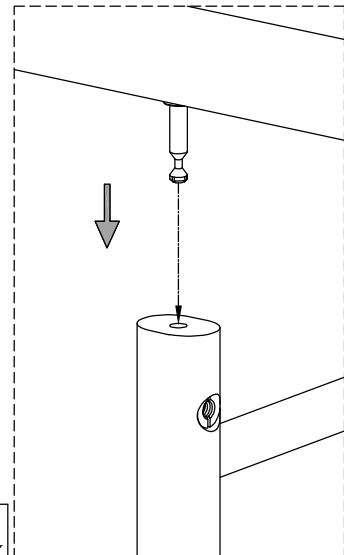
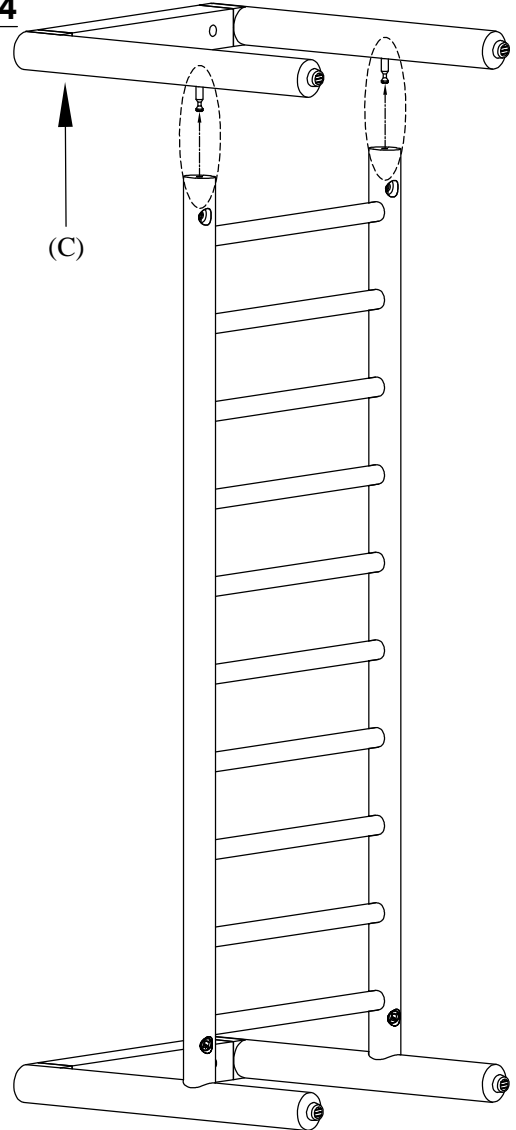
RECTANGLE COFFEE TABLE

STEP 3



(x2)

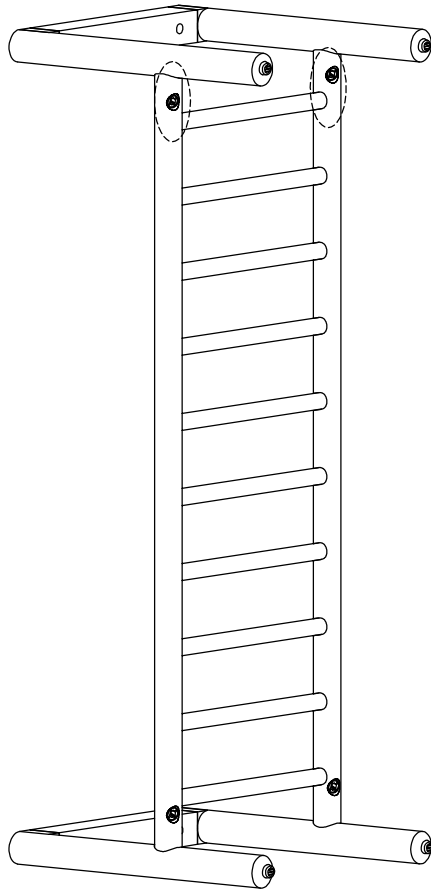
STEP 4



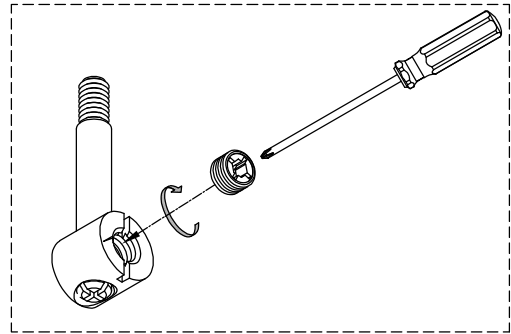
Note: DO NOT TIGHTEN ANY BOLT UNTIL ALL THE BOLTS ARE INSERTED PROPERLY

RECTANGLE COFFEE TABLE

STEP 5



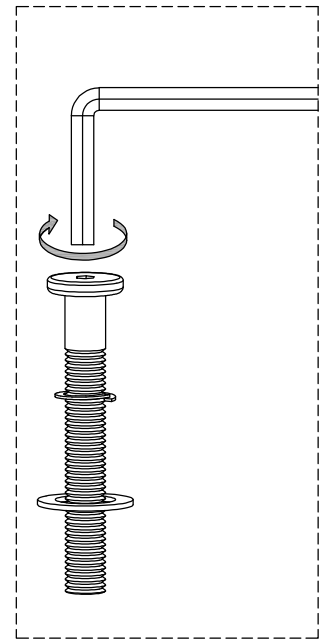
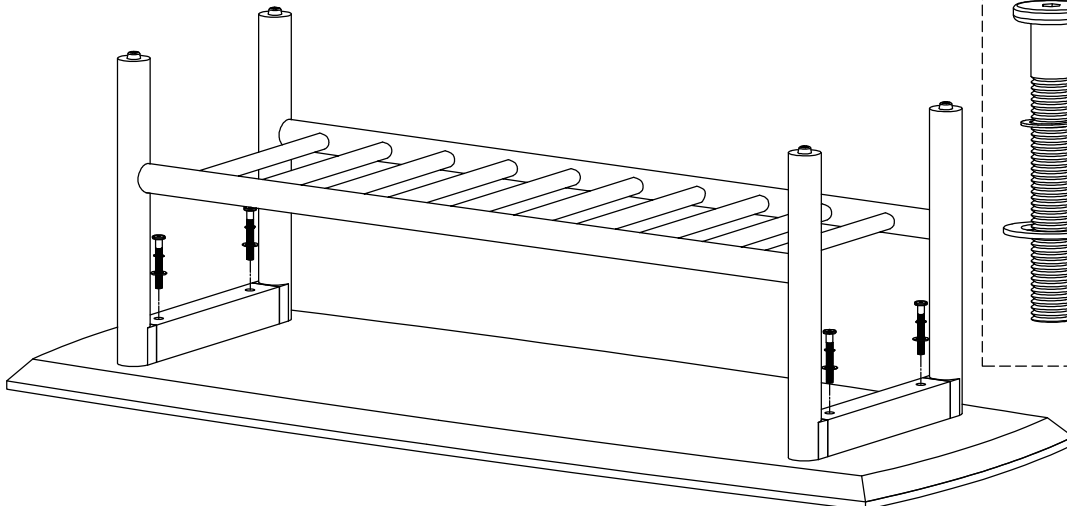
Note: DO NOT TIGHTEN ANY BOLT UNTIL ALL THE BOLTS ARE INSERTED PROPERLY



(x2)

STEP 6

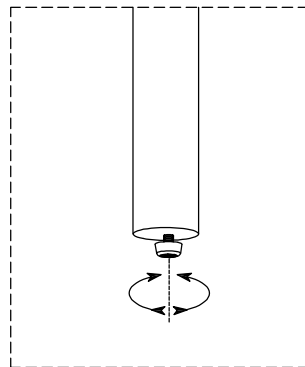
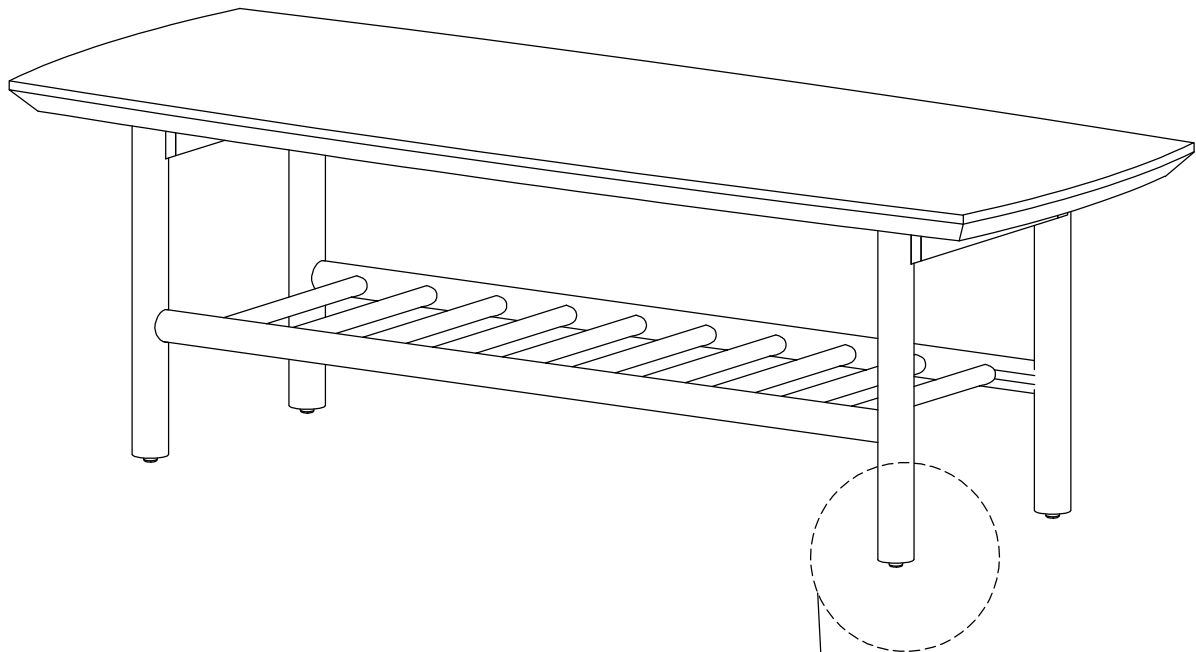
Note: TIGHTEN ALL THE BOLTS



(x4)

RECTANGLE COFFEE TABLE

STEP 7
FINISHED



Adjustable levelers