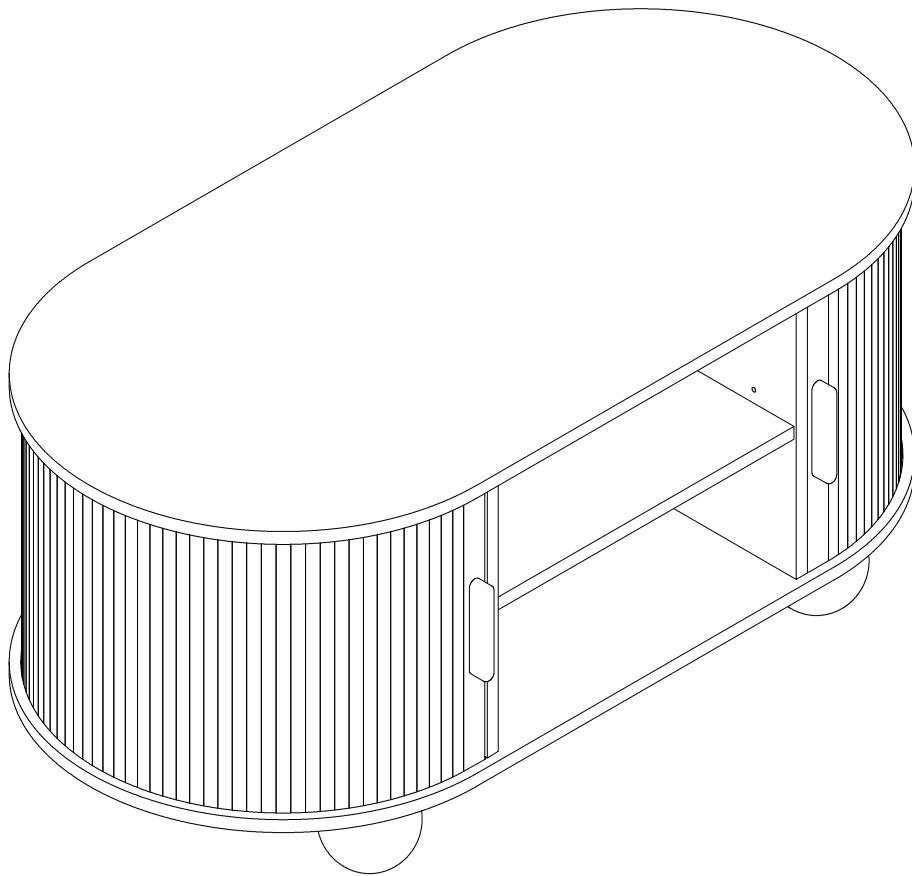


Assembly Instructions

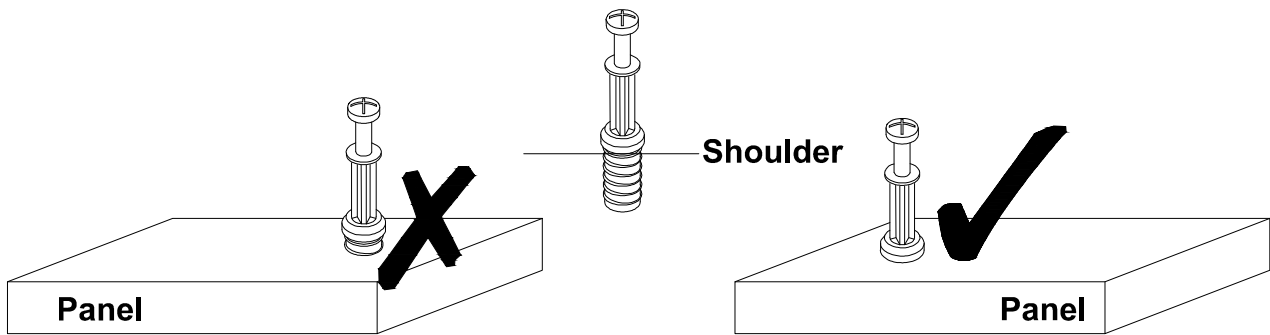


Before Assembly

Tips Before Your Start:

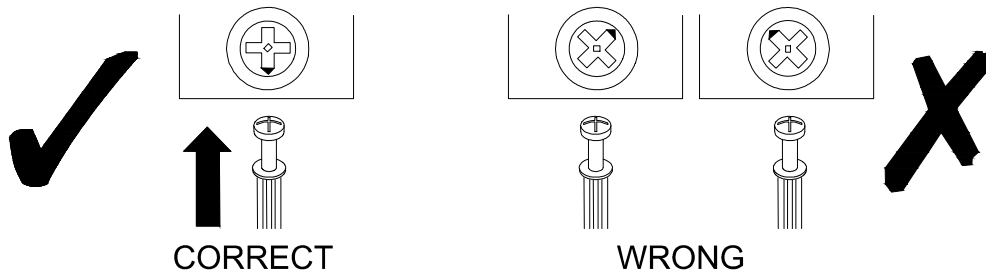
- Remove all wrapping material, including staples & packing straps before you start to assemble.
- DO NOT tighten all screws and bolts until the assembly is completely assembled.
- Keep all hardware parts out of reach of children.

QUICKFIT



Tighten quickfit until shoulder is flush with panel. Do not overtighten or undertighten.

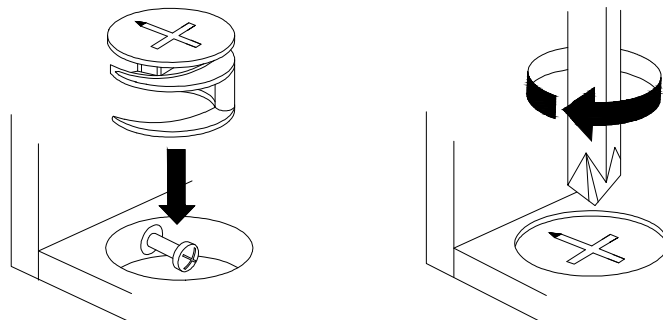
CAM LOCK



When fitting a cam lock, ensure the starting position is correct before inserting the connecting QUI CKFIT




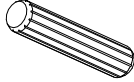


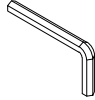



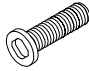
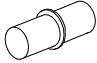
Quickfit head should be in the centre of the cam lock when the two panels are joined.

Cam lock should be inserted before quickfit.

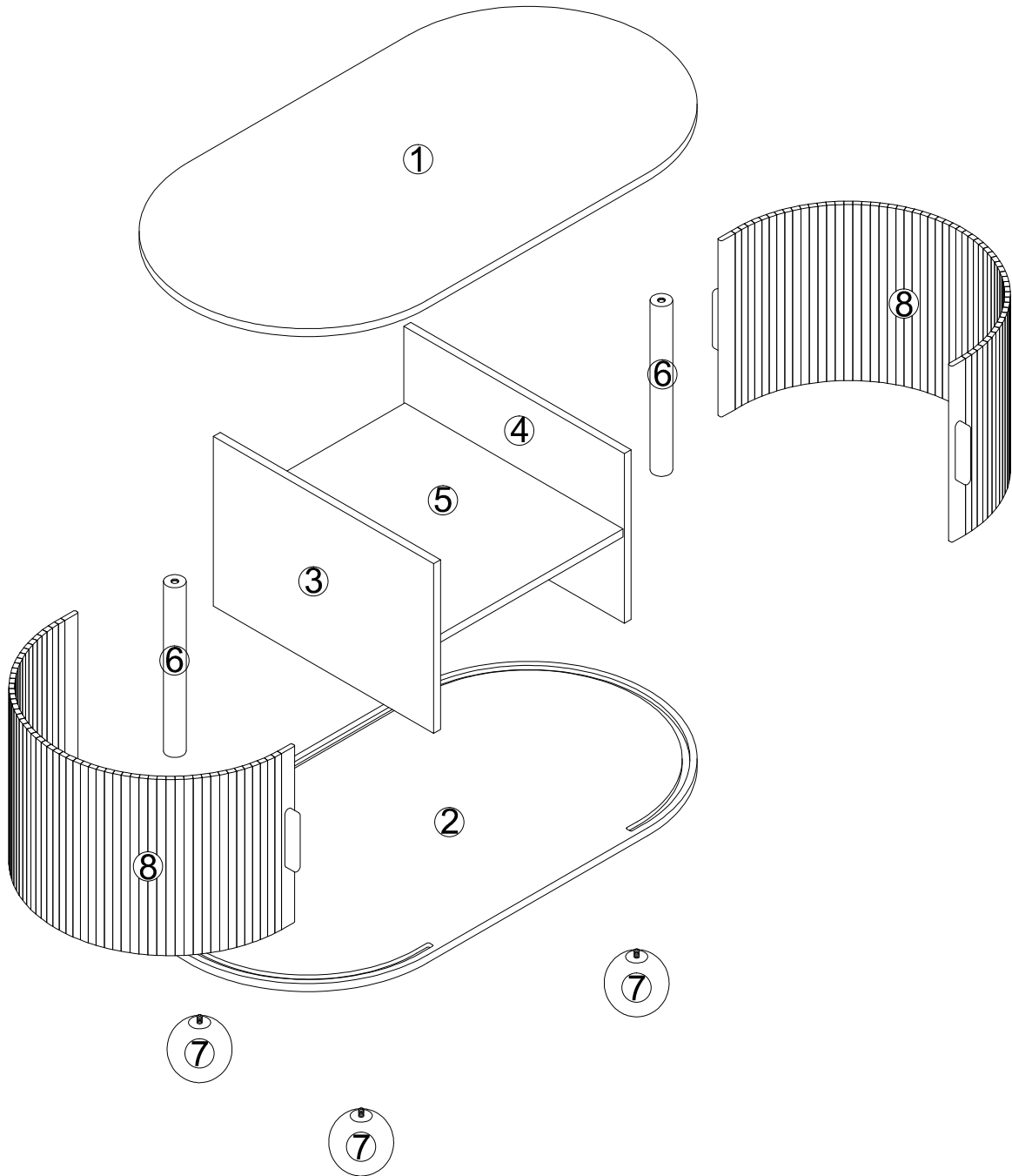


Turn cam lock clockwise to tighten.

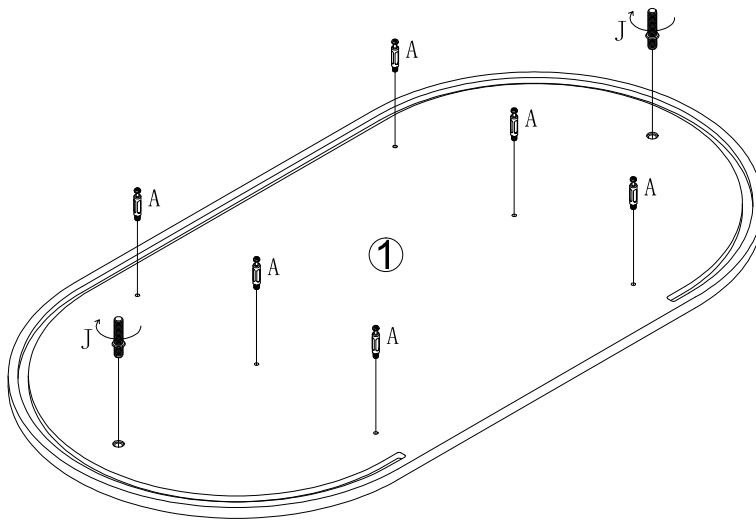
Part List

<p>No. A Quantity: 6 Pcs Cam Lock Dowel 8*28mm</p> 	<p>No. B Quantity: 6 Pcs Cam Ø15</p> 	<p>No. C Quantity: 6 Pcs Sticker Ø20</p> 	<p>No. D Quantity: 4 Pcs Dowel 8*30mm</p> 
<p>No. E Quantity: 4 Pcs Handle 110*20mm</p> 	<p>No. F Quantity: 6 Pcs Screw M6*40mm</p> 	<p>No. G Quantity: 1 Pcs Allen Key 4#</p> 	<p>No. H Quantity: 8 Pcs Screw M4*14mm</p> 
<p>No. I Quantity: 4 Pcs Foot Pad Ø20</p> 	<p>No. J Quantity: 2 Pcs Screw M6*35mm</p> 	<p>No. K Quantity: 2 Pcs Screw M6*35mm</p> 	<p>No. L Quantity: 6 Pcs Shelf Support M5*15mm</p> 

Product structure



STEP 1



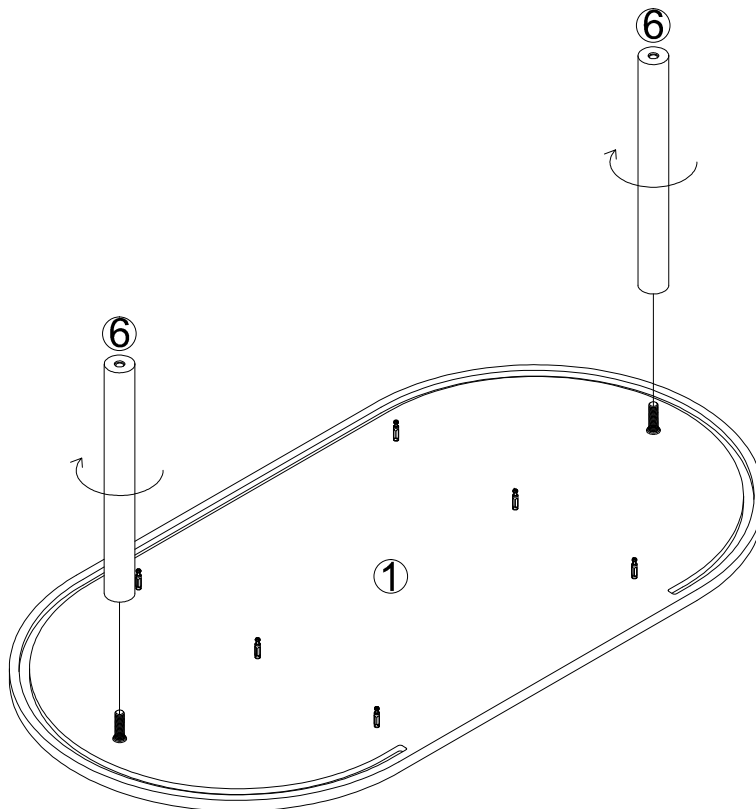
No. A
Quantity: 6 Pcs
8*28mm



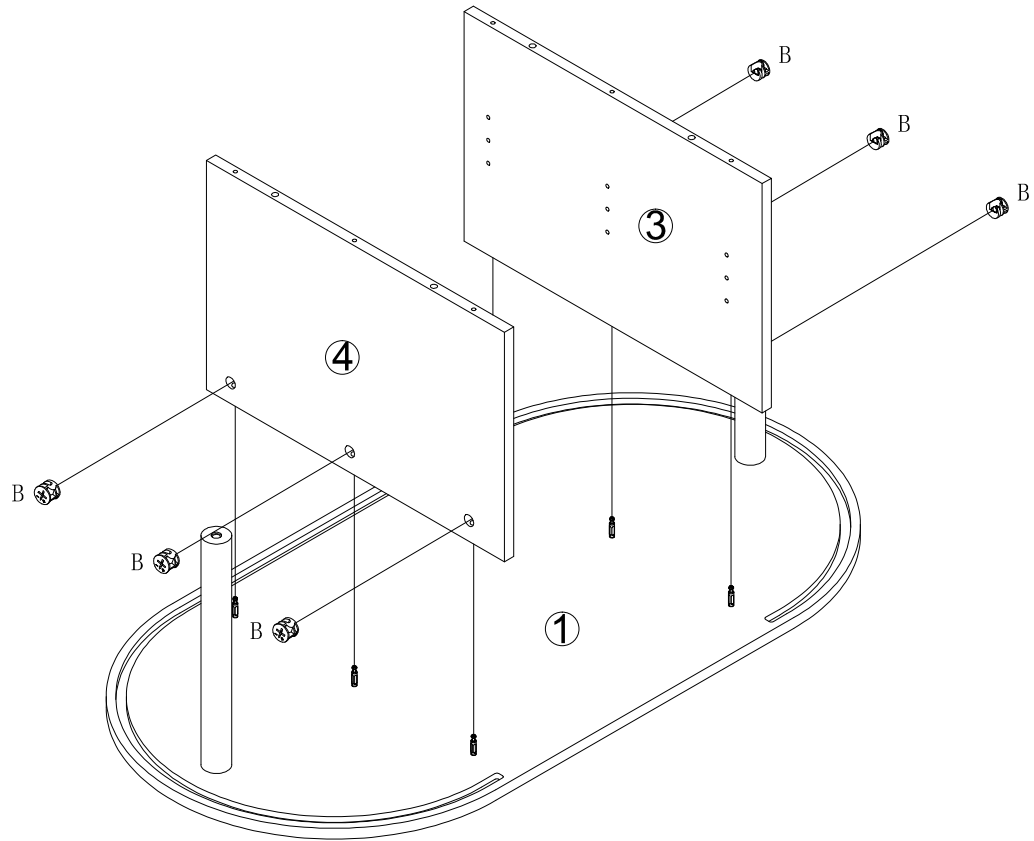
No. J
Quantity: 2 Pcs
M6*35mm



STEP 2



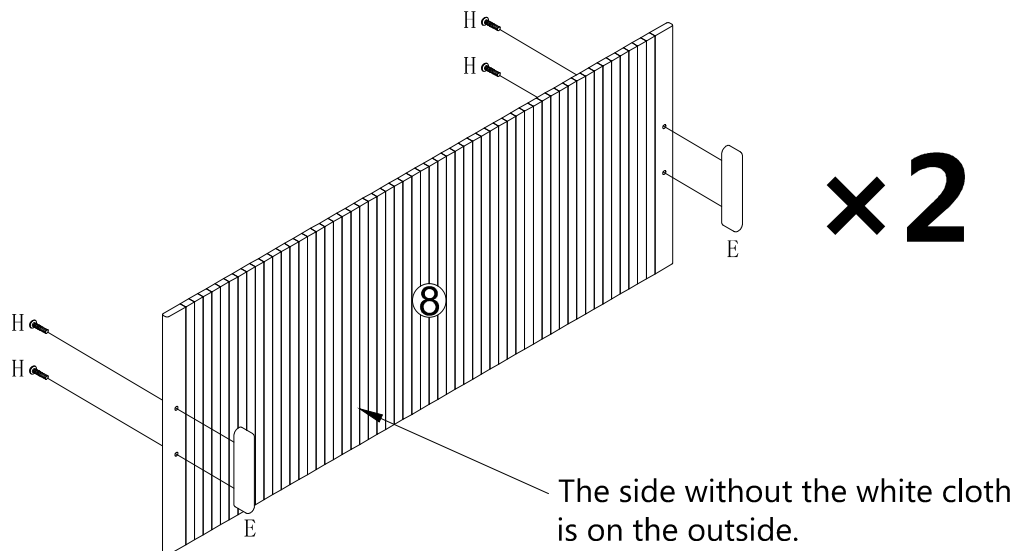
STEP 3



No. B
Quantity: 6 Pcs
Ø15



STEP 4



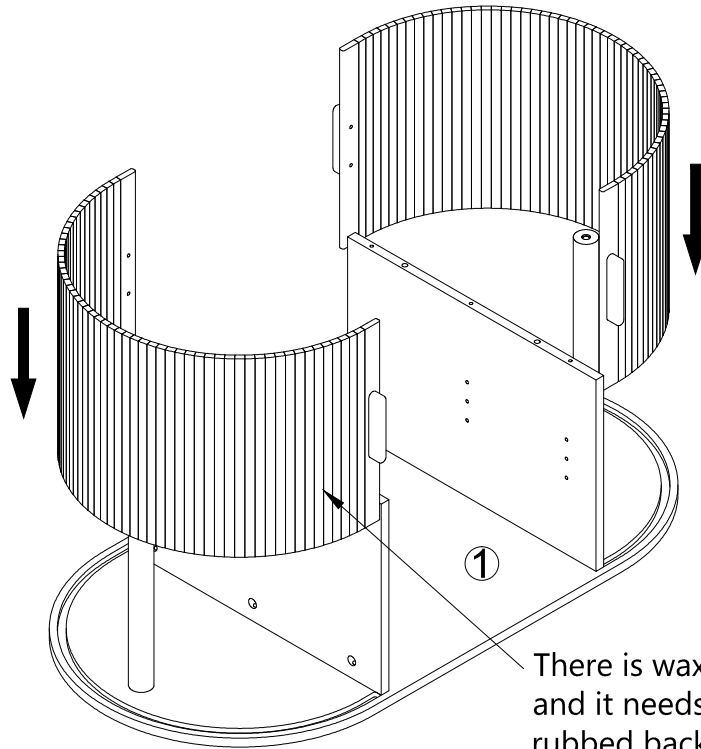
No. E
Quantity: 4 Pcs
110*20mm



No. H
Quantity: 8 Pcs
M4*14mm

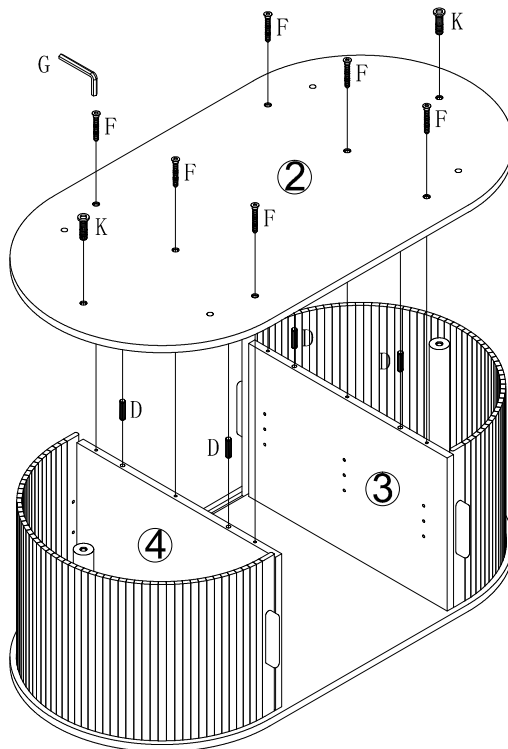


STEP 5

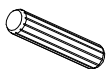


There is wax on the sliding door, and it needs to be pushed and rubbed back and forth before use, so that the wax is evenly attached to the board.

STEP 6



No. D
Quantity: 4 Pcs
8*30mm



No. F
Quantity: 6 Pcs
M6*40mm



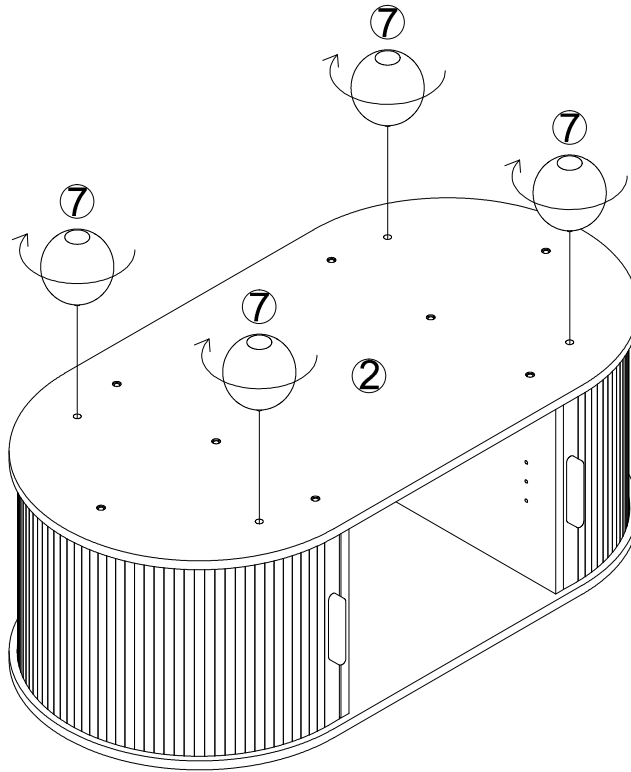
No. G
Quantity: 1 Pcs
4#



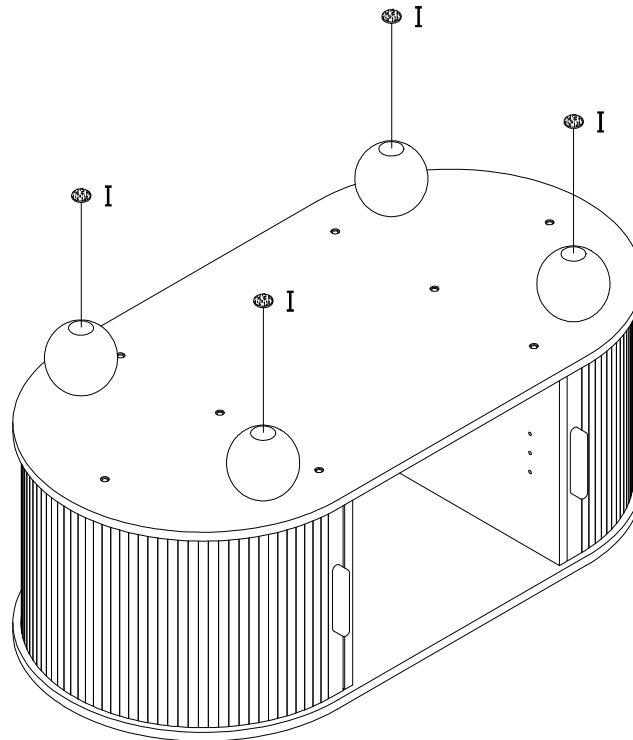
No. K
Quantity: 2 Pcs
M6*35mm



STEP 7



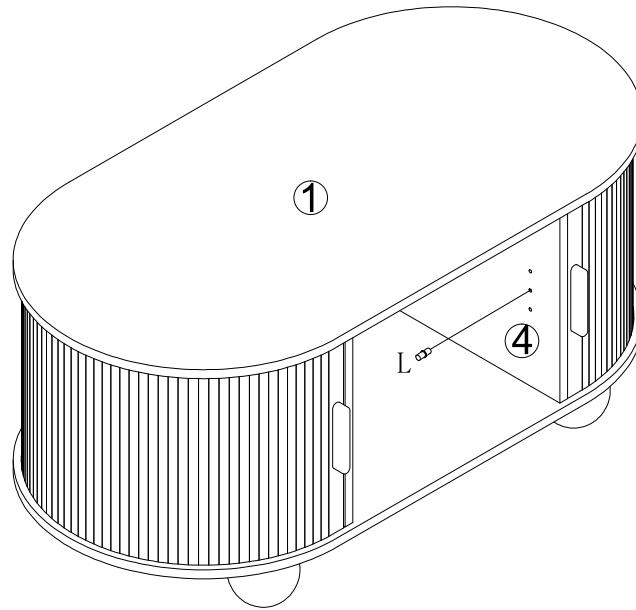
STEP 8



No. I
Quantity: 4 Pcs
Ø20



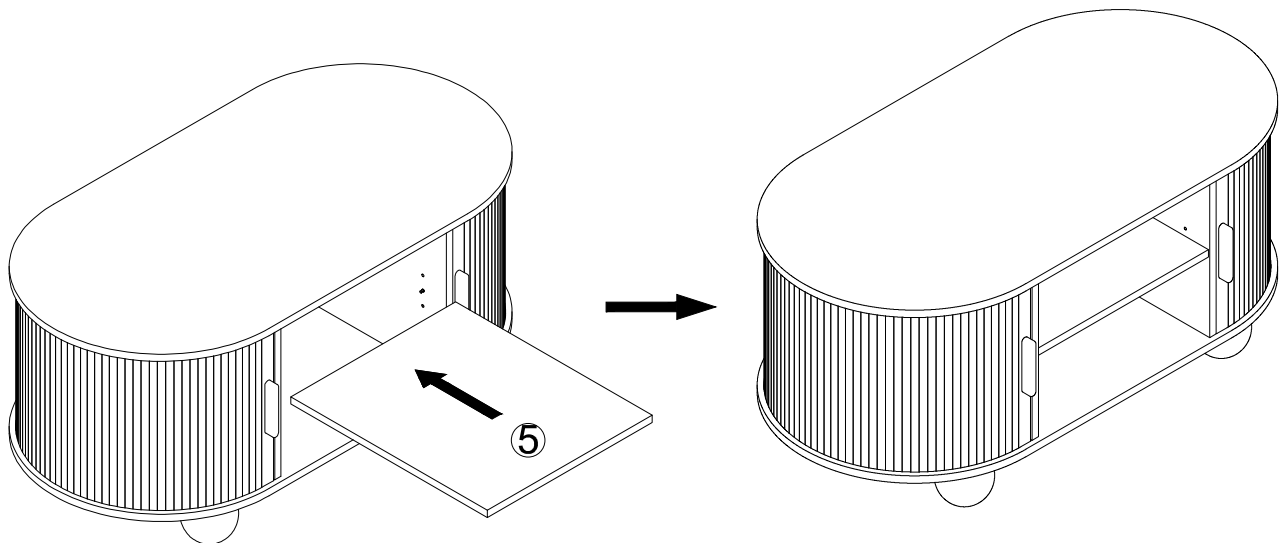
STEP 9



No. L
Quantity: 6 Pcs
M5*15mm



STEP 10



Product assembly completed