

INSTALLATION

Product Manual



IMPORTANT INFORMATION!

please read the entire manual before starting to assemble and/or using this product. follow the manual thoroughly and keep it for further reference.



AVOID SCRATCHES!

In order to avoid scratching this furniture should be assembled on a soft layer- could be a rug.



IMPROVE EFFICIENCY !

Try to find a partner to install with you, which can speed up the installation efficiency and shorten the time.



ANTI-TOPPLE WARNING !

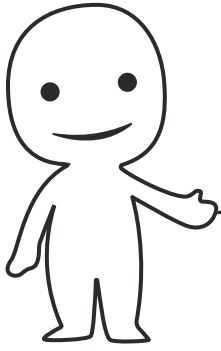
Overturnd furniture can cause serious or fatal crush injuries. To prevent tipping over, be sure to use the wall attachment, if not included with this product. Please purchase the wall attachment that fit your wall. If unsure, seek professional advice. Please read and follow each step of the instructions carefully.

IMPORTANT !

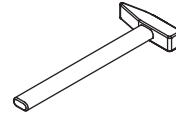
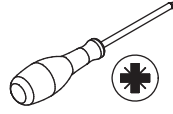
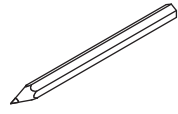
It is important that any product which is assembled using any kind of screw is re-tightened 2 weeks after assembly, and once every 3 months - in order to assure stability through-out the lifespan of the product.

For regular maintenance and cleaning of the product, for the frame, please use a rag dipped in neutral detergent to fully wipe it, and then dry it with a clean rag. For glass materials, wipe with a rag dampened with water glass cleaner, and then dry with a dry rag.

Do not use an electric screwdriver, and do not use too much force when installing, because the board is easy to break.

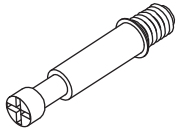


Please prepare the following tools



When installing, please carefully confirm whether each screw corresponds to the manual, accessories with similar shapes can be distinguished by size

A x 97



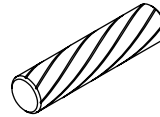
Ø 6 x 35 mm

B x 97



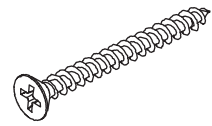
Ø 15 x 10 mm

C x 8



Ø 6 x 30 mm

D x 41



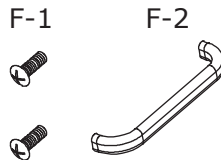
Ø 4 x 35 mm

E x 72



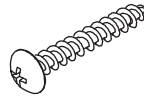
Ø 3.5 x 12 mm

F x 9



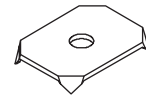
Ø 4 x 10 mm

G x 15



Ø 4 x 30 mm

H x 5

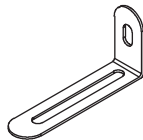


J x 41

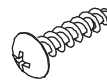


Ø 2.5 x 12 mm

K x 2

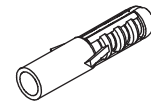


L x 4

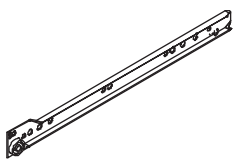


Ø 4 x 12 mm

M x 2

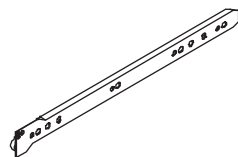


CL x 9



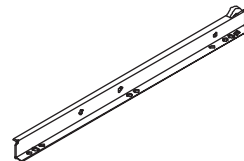
L = 300 mm

CR x 9



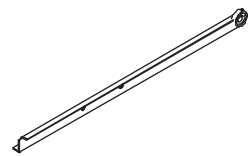
L = 300 mm

DL x 9

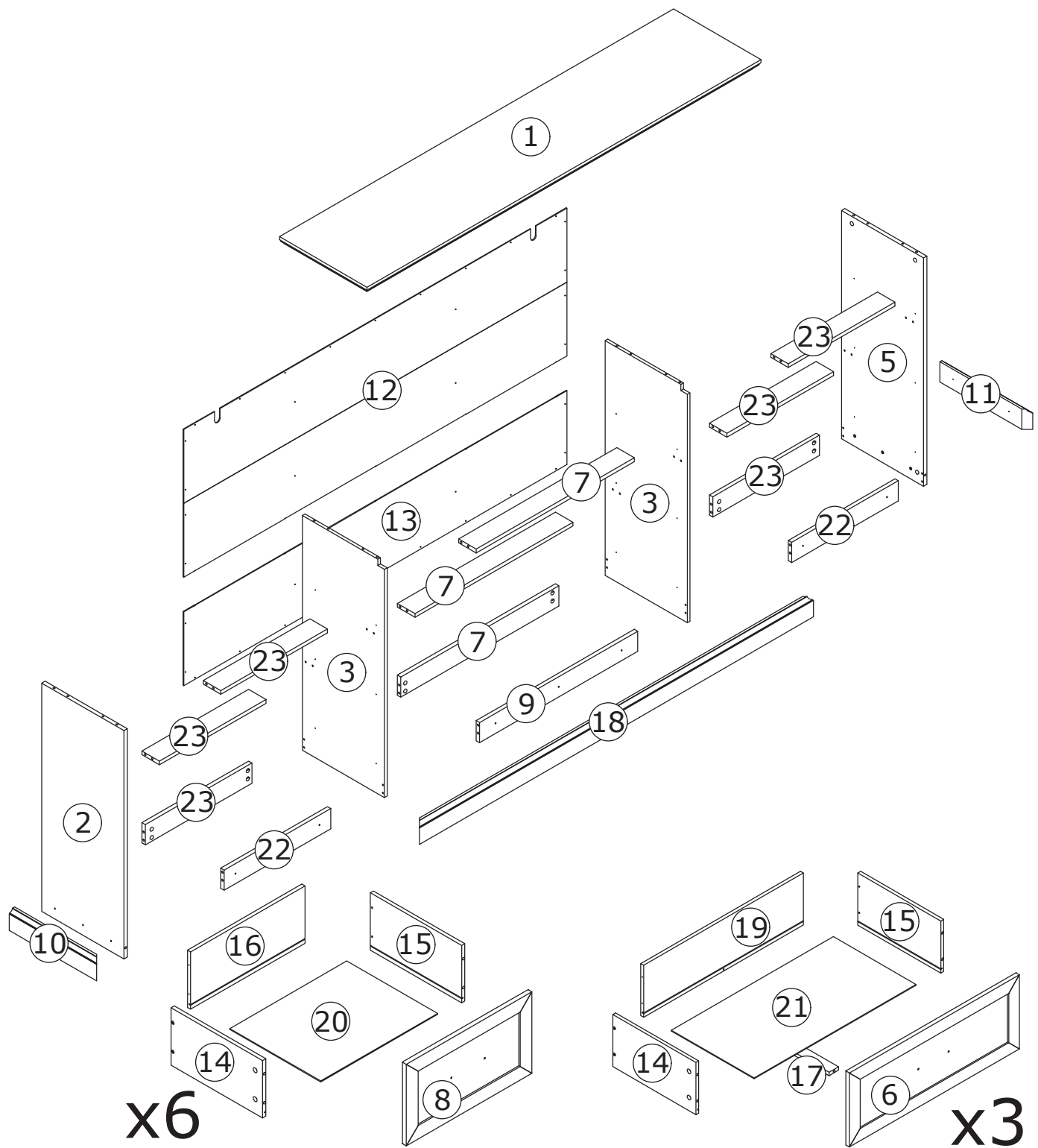


L = 300 mm

DR x 9



L = 300 mm



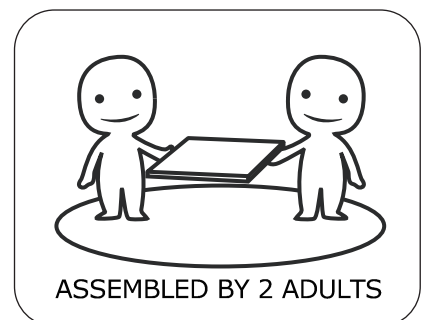
⚠ WARNING



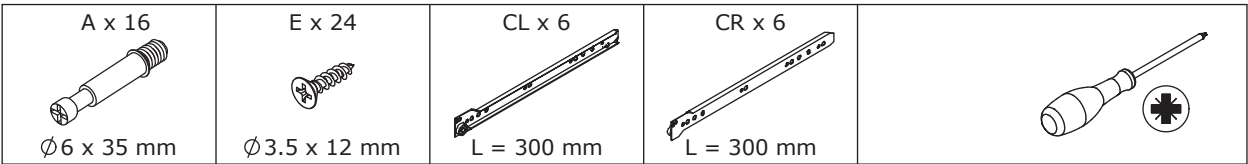
Children have died from furniture tipover. To reduce the risk of furniture tipover:

- ALWAYS install Anti-tip device provided.
- NEVER put a TV on this product.
- NEVER allow children to stand, climb or hang on drawers, doors, or shelves.
- NEVER open more than one drawer at a time.
- Place heaviest items in the lowest drawers.

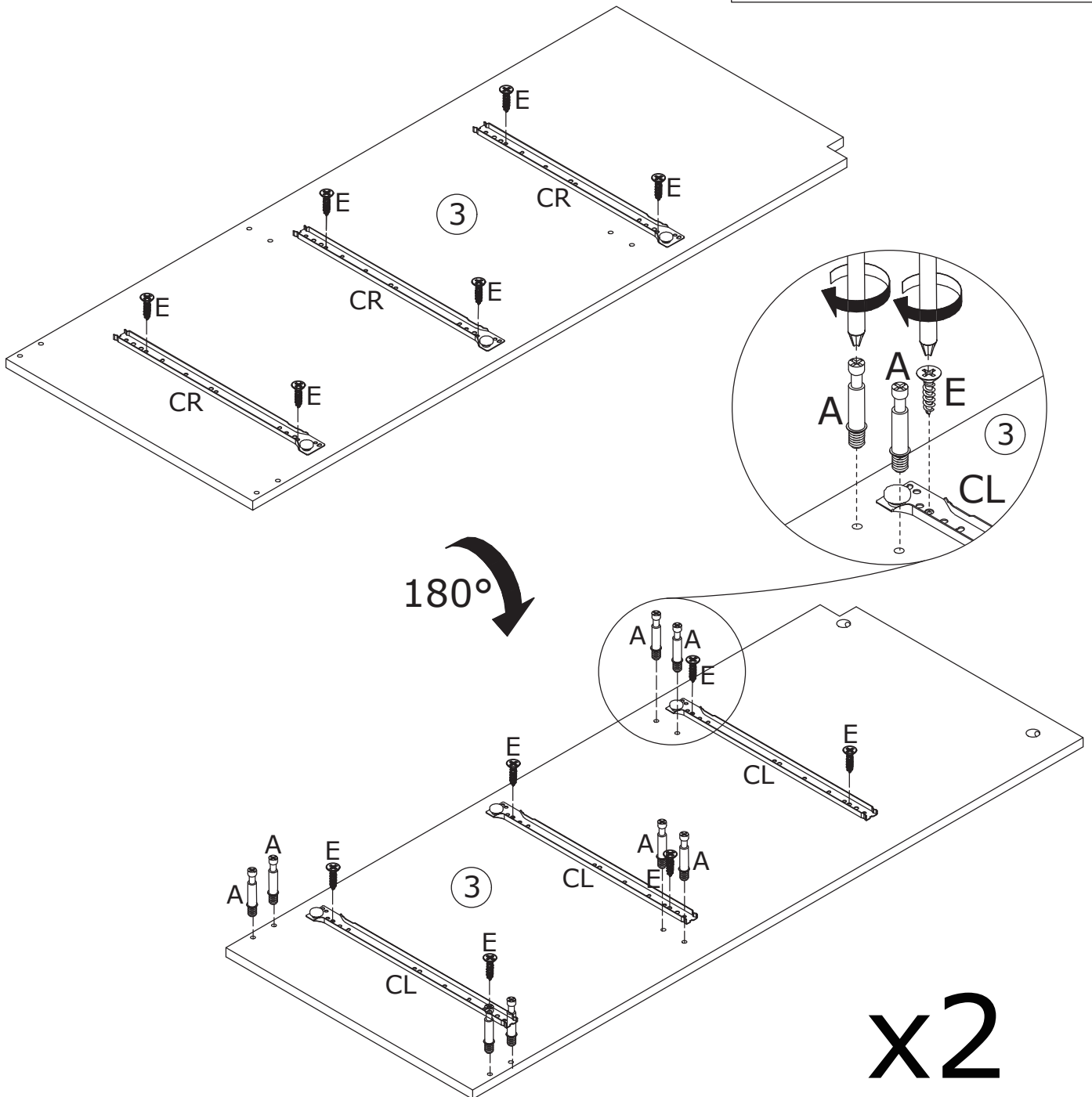
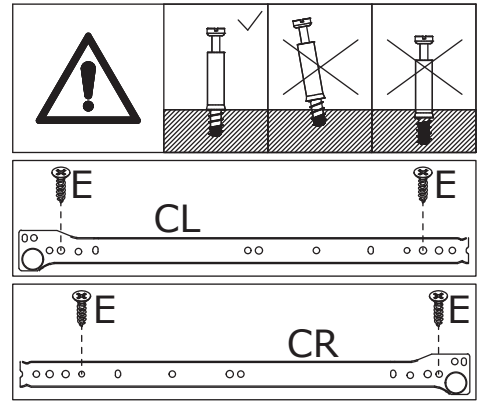
*This is a permanent label.
Do not remove!*



1

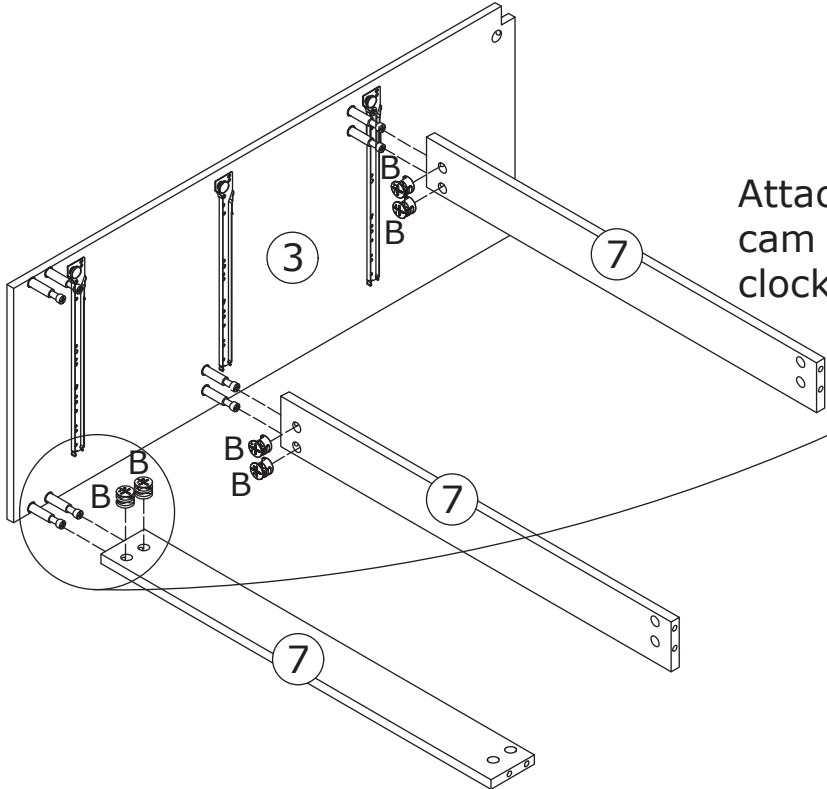
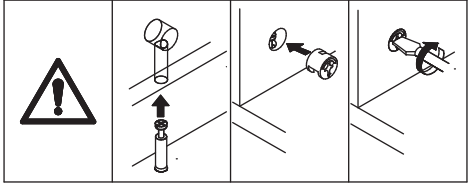
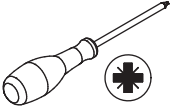


Fix rail(CR) to panel 3 with screw(E) at first.
Flip to back, fix rail(CL) and screw eccentric rod(A) into as shown.

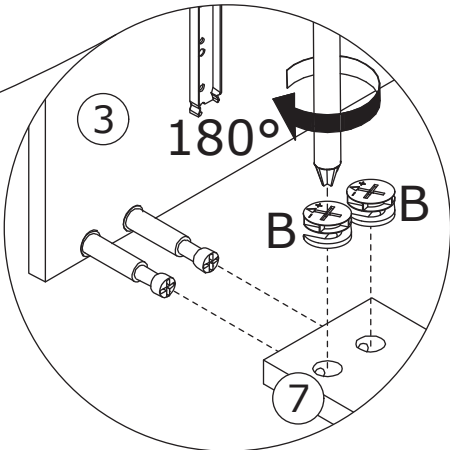


2

B x 6
Ø 15 x 10 mm

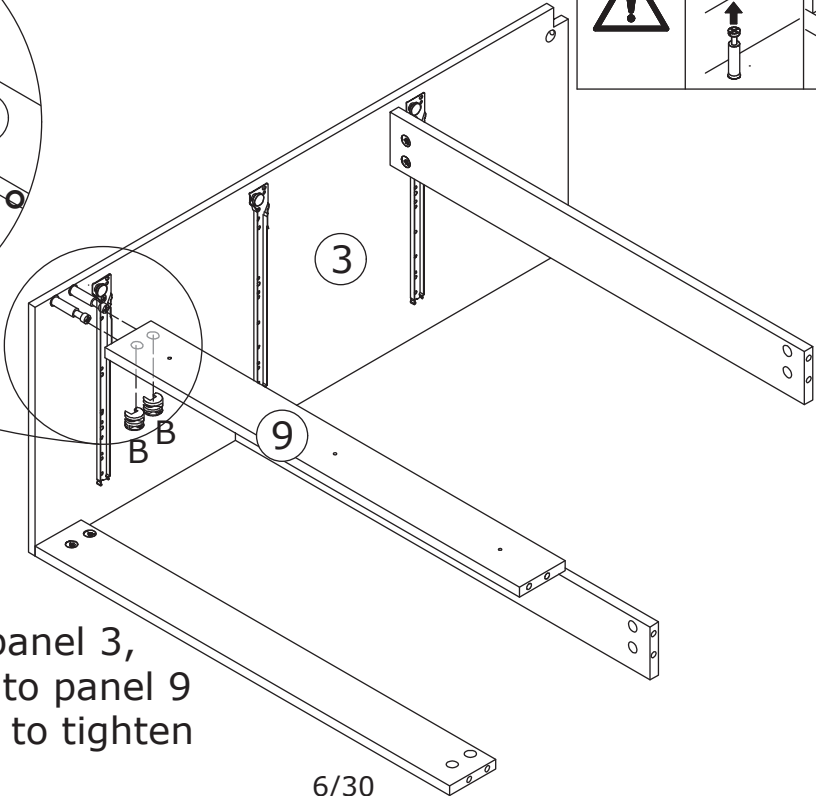
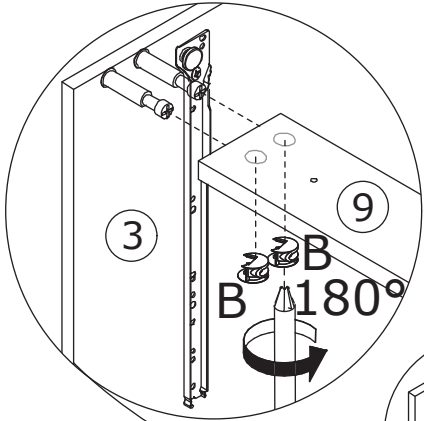
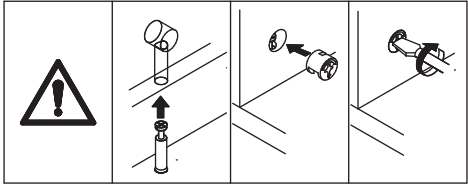
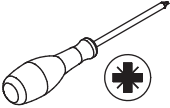


Attach panel 7 to panel 3, add cam lock(B) into panel 7 and turn clockwise to tighten as shown.



3

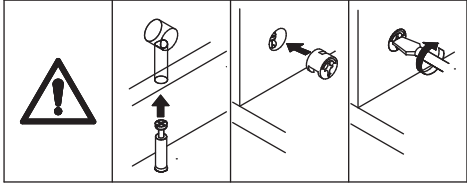
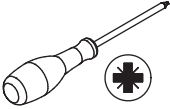
B x 2
Ø 15 x 10 mm



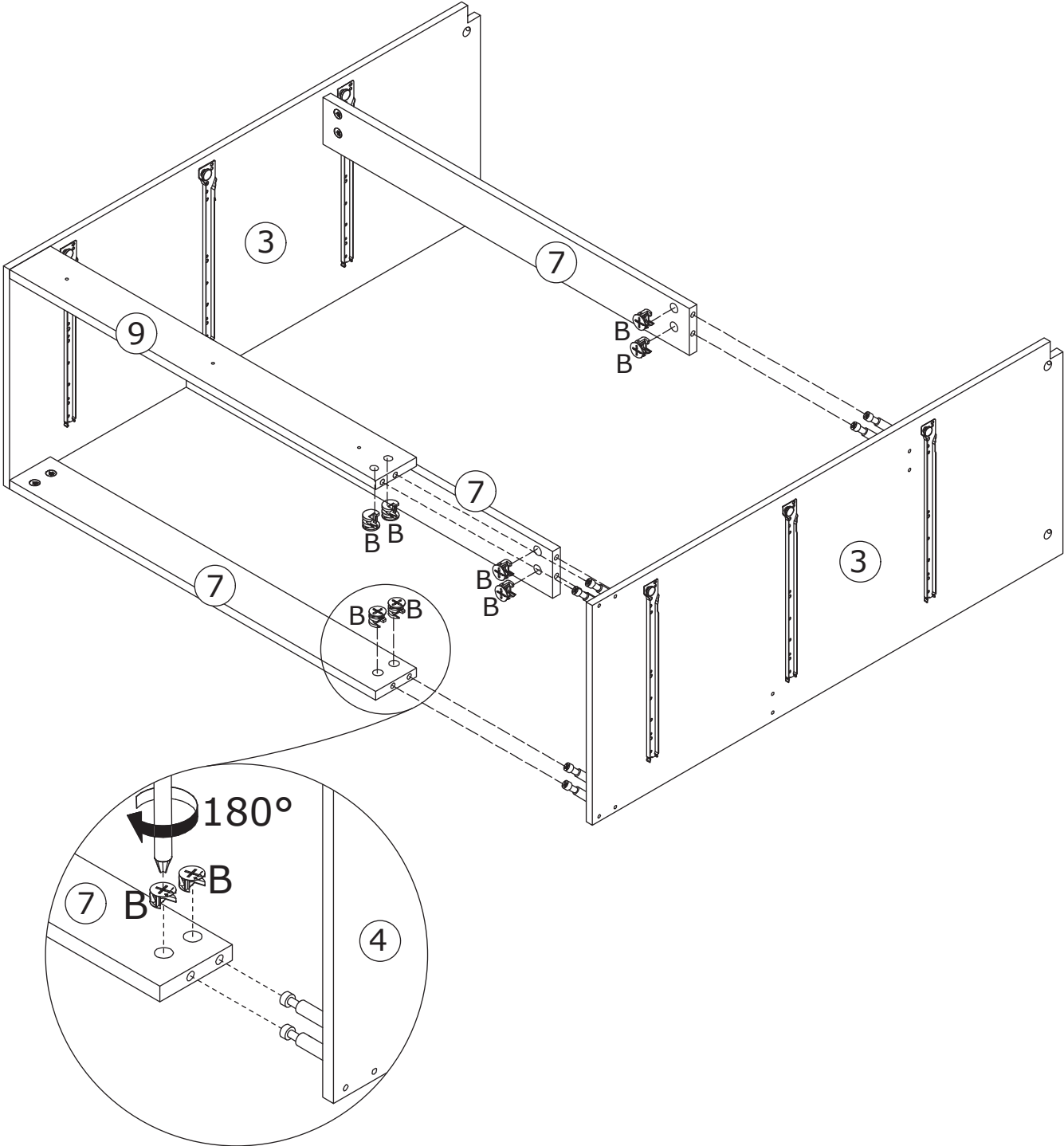
Attach panel 9 to panel 3, add cam lock(B) into panel 9 and turn clockwise to tighten as shown.

4

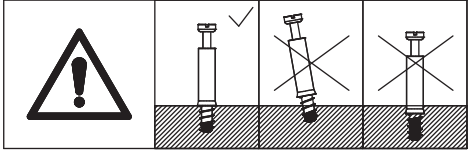
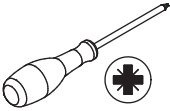
B x 8
Ø 15 x 10 mm



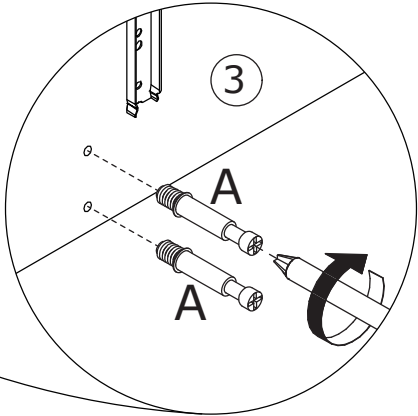
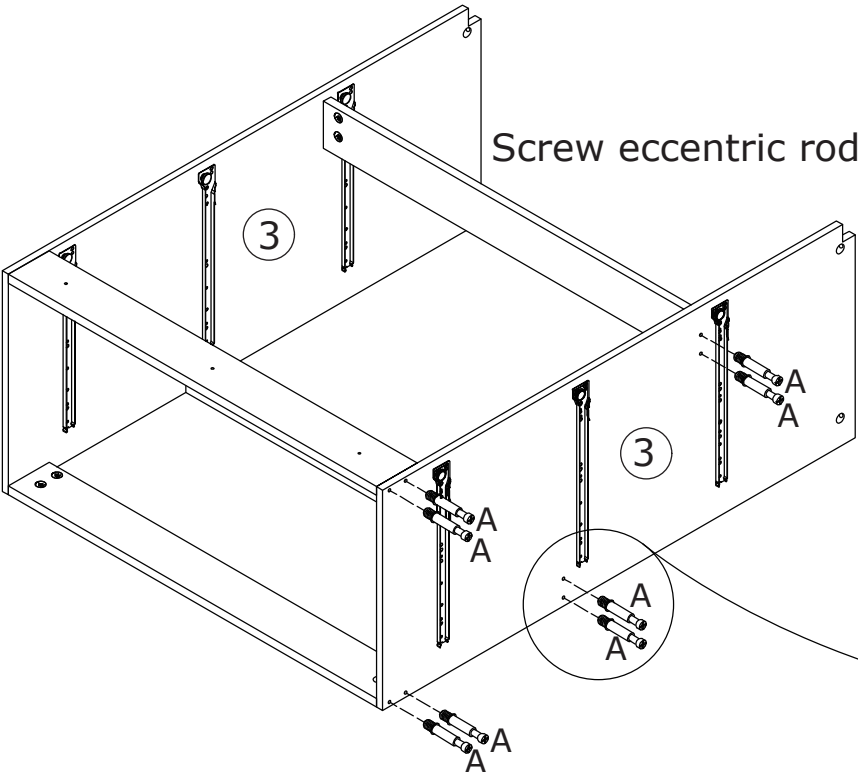
Attach panel 3 to panel 7 , add cam lock(B)
into panel 7 and turn clockwise to tighten as shown.



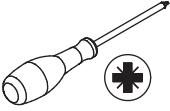
5



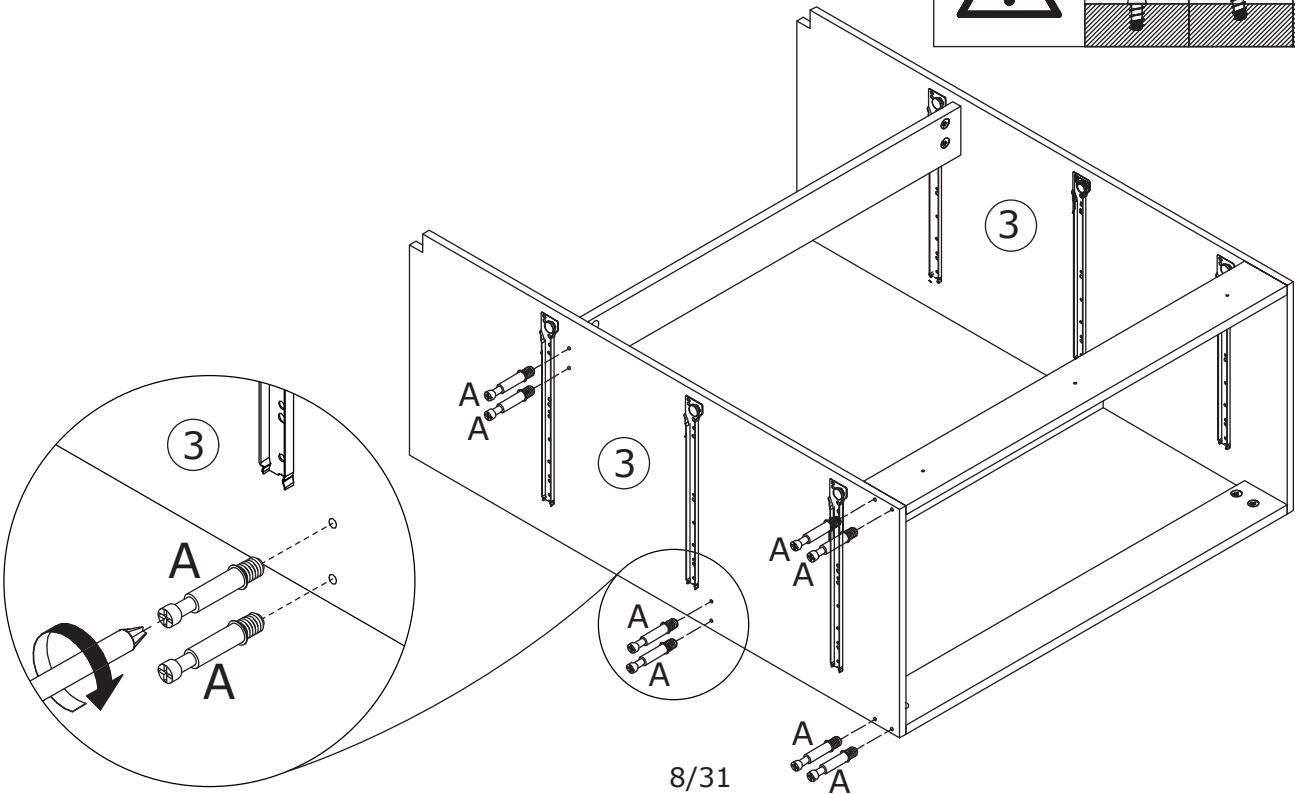
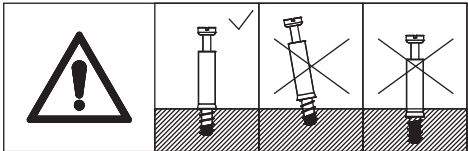
Screw eccentric rod(A) into panel 3 as shown.





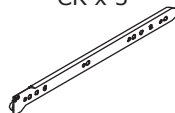
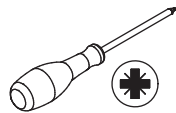
6

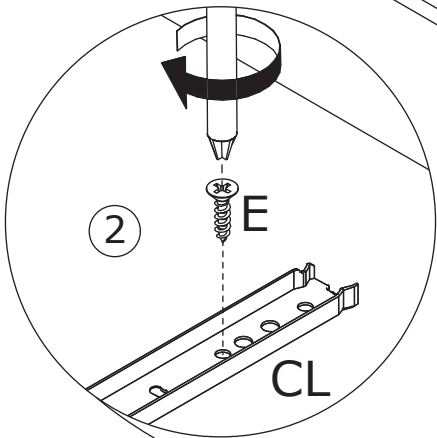
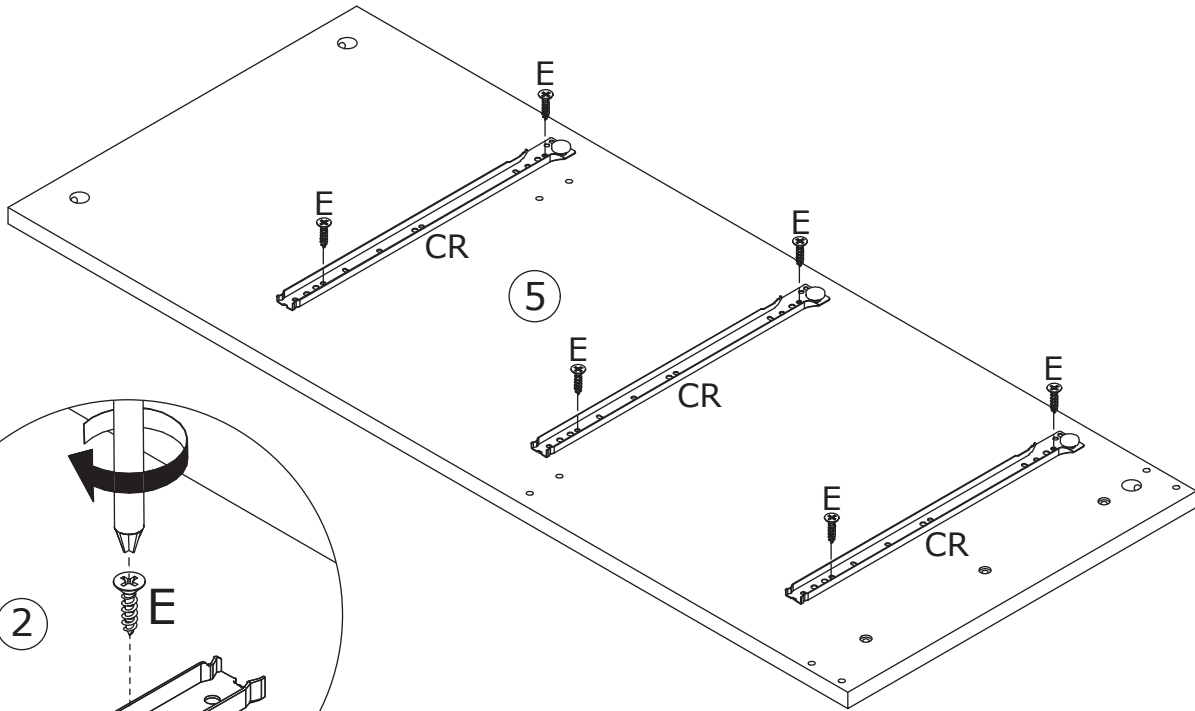


Screw eccentric rod(A) into panel 3 as shown.

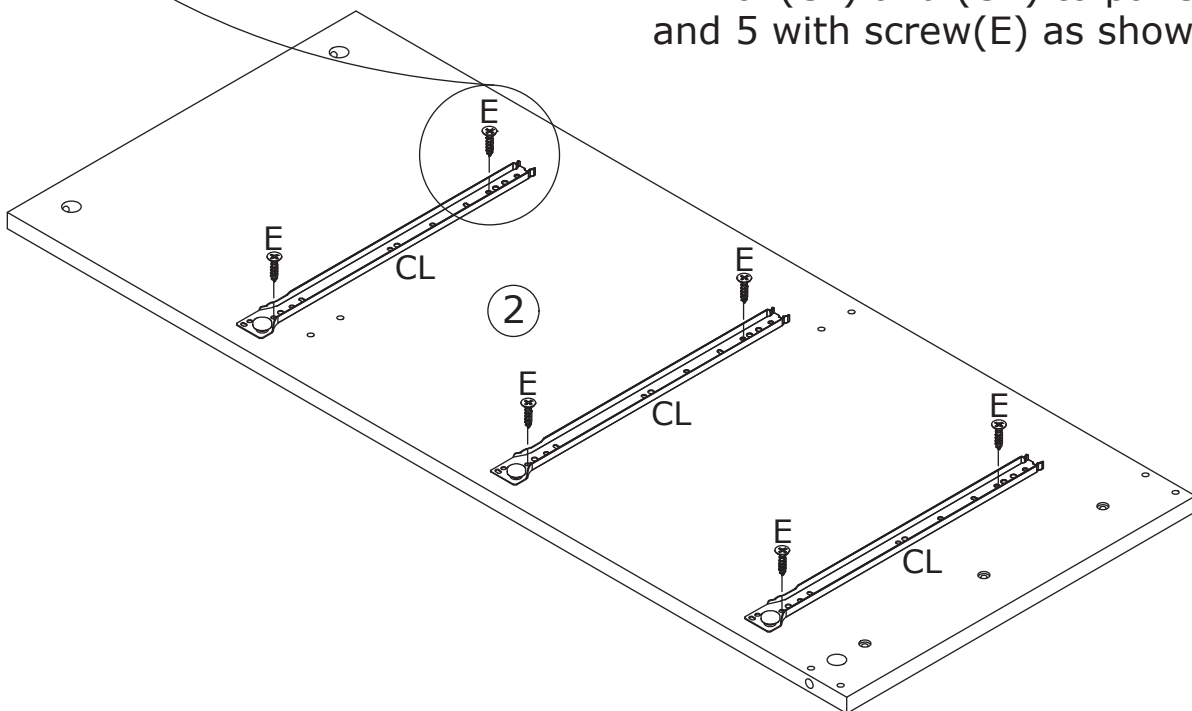


7

<p>E x 12  Ø 3.5 x 12 mm</p>	<p>CL x 3  L = 300 mm</p>	<p>CR x 3  L = 300 mm</p>	
---	--	--	---

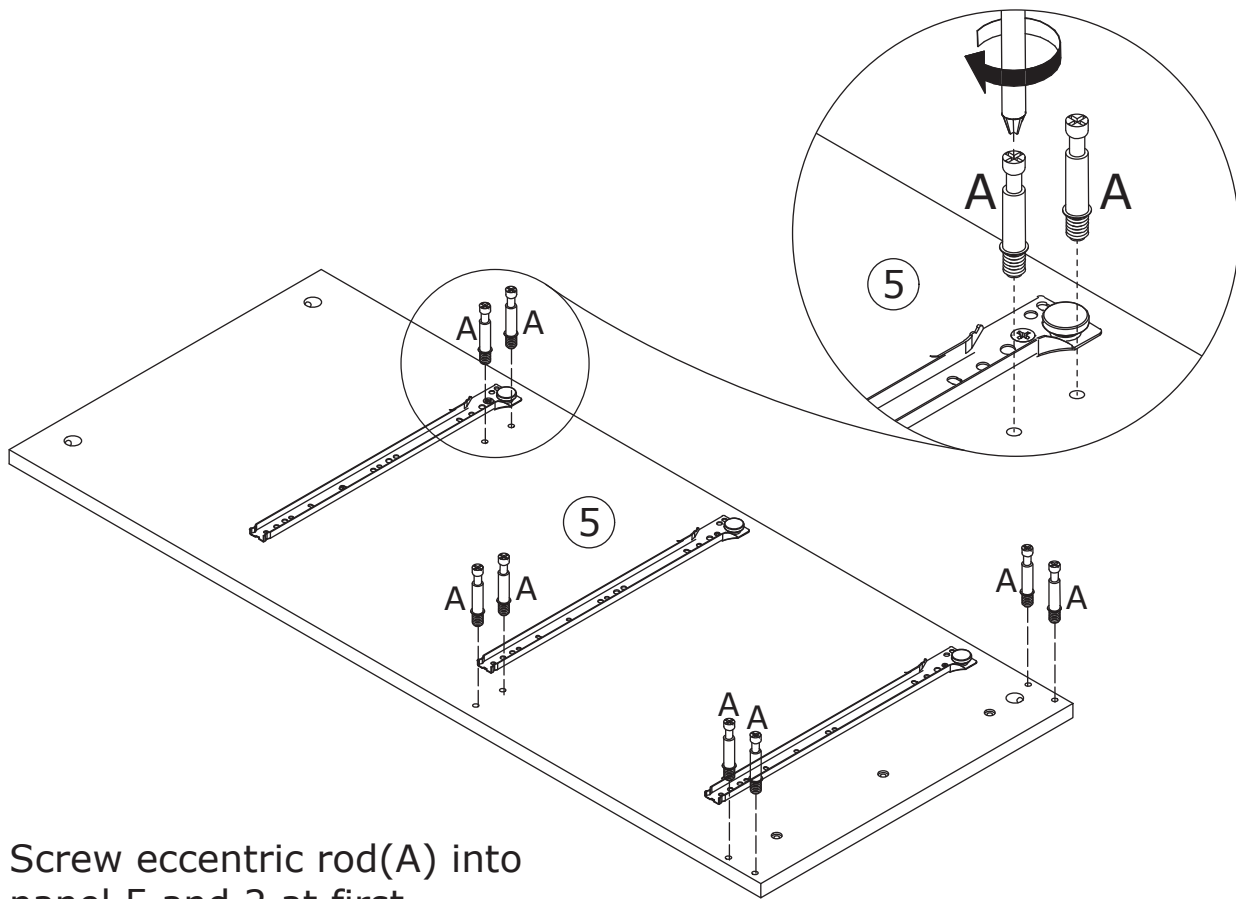
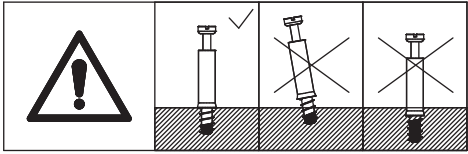
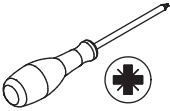


Fix rail(CL) and (CR) to panel 2 and 5 with screw(E) as shown.

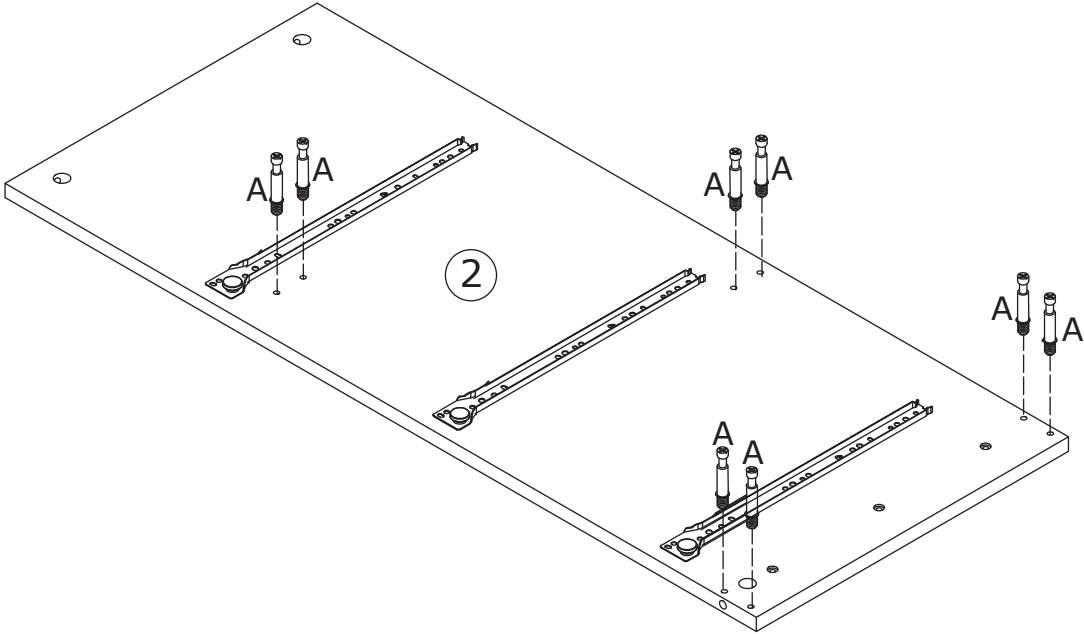


8

A x 16
Ø6 x 35 mm

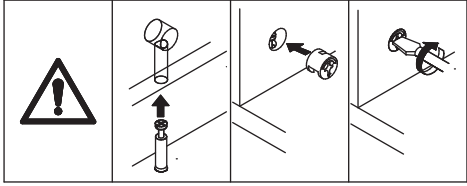
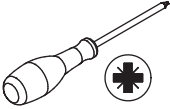


Screw eccentric rod(A) into panel 5 and 2 at first.

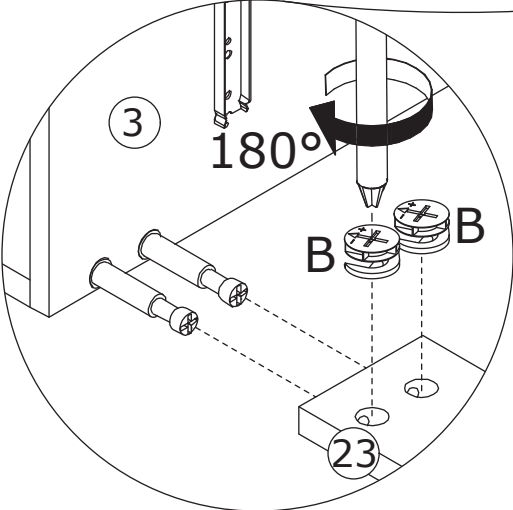
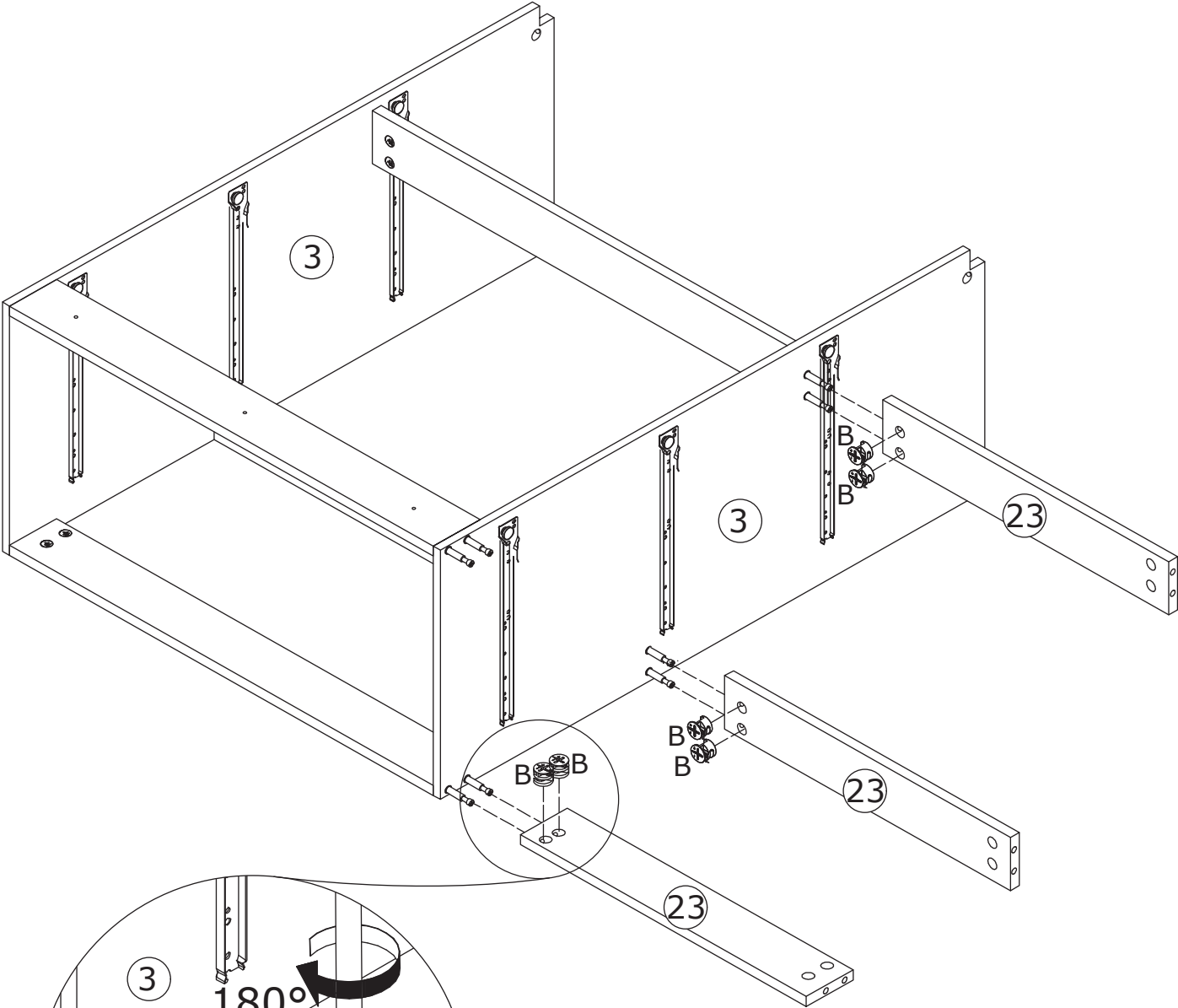


9

B x 6
Ø 15 x 10 mm

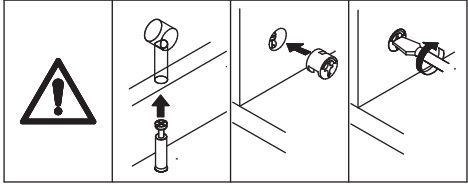
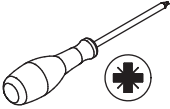


Attach panel 23 to panel 3, add cam lock(B) into panel 23 and turn clockwise to tighten as shown.

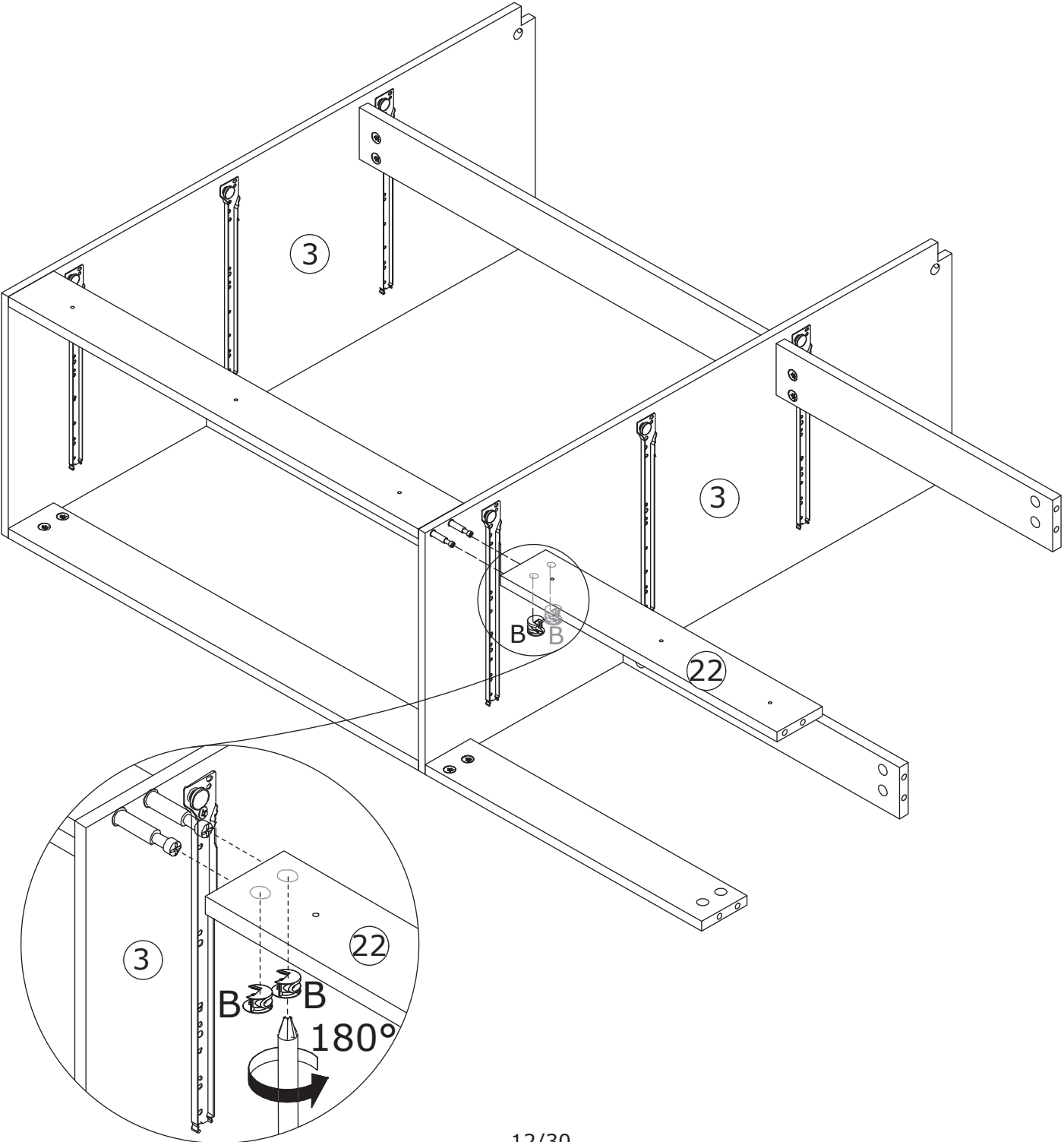


10

B x 2
Ø 15 x 10 mm

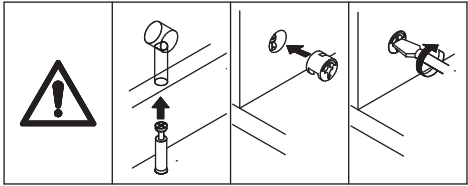
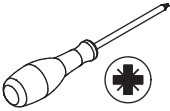


Attach panel 22 to panel 3, add cam lock(B) into panel 22 and turn clockwise to tighten as shown.

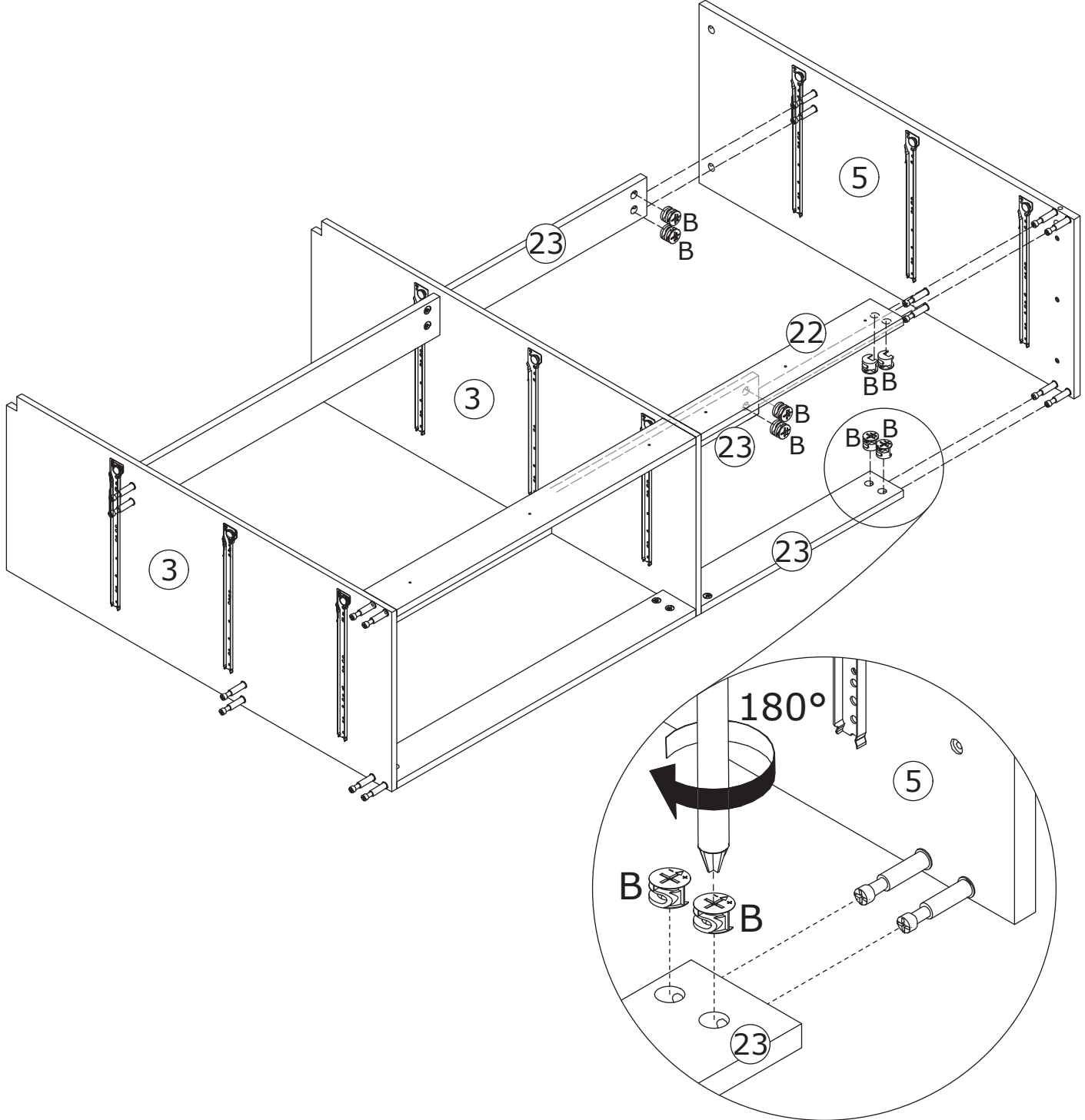


11

B x 8
Ø15 x 10 mm

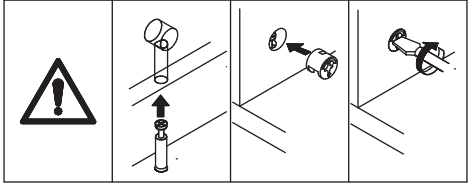
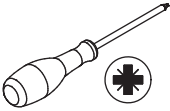


Attach panel 5 to panel 22 and 23, add cam lock(B) into panel 22,23 and turn clockwise to tighten as shown.

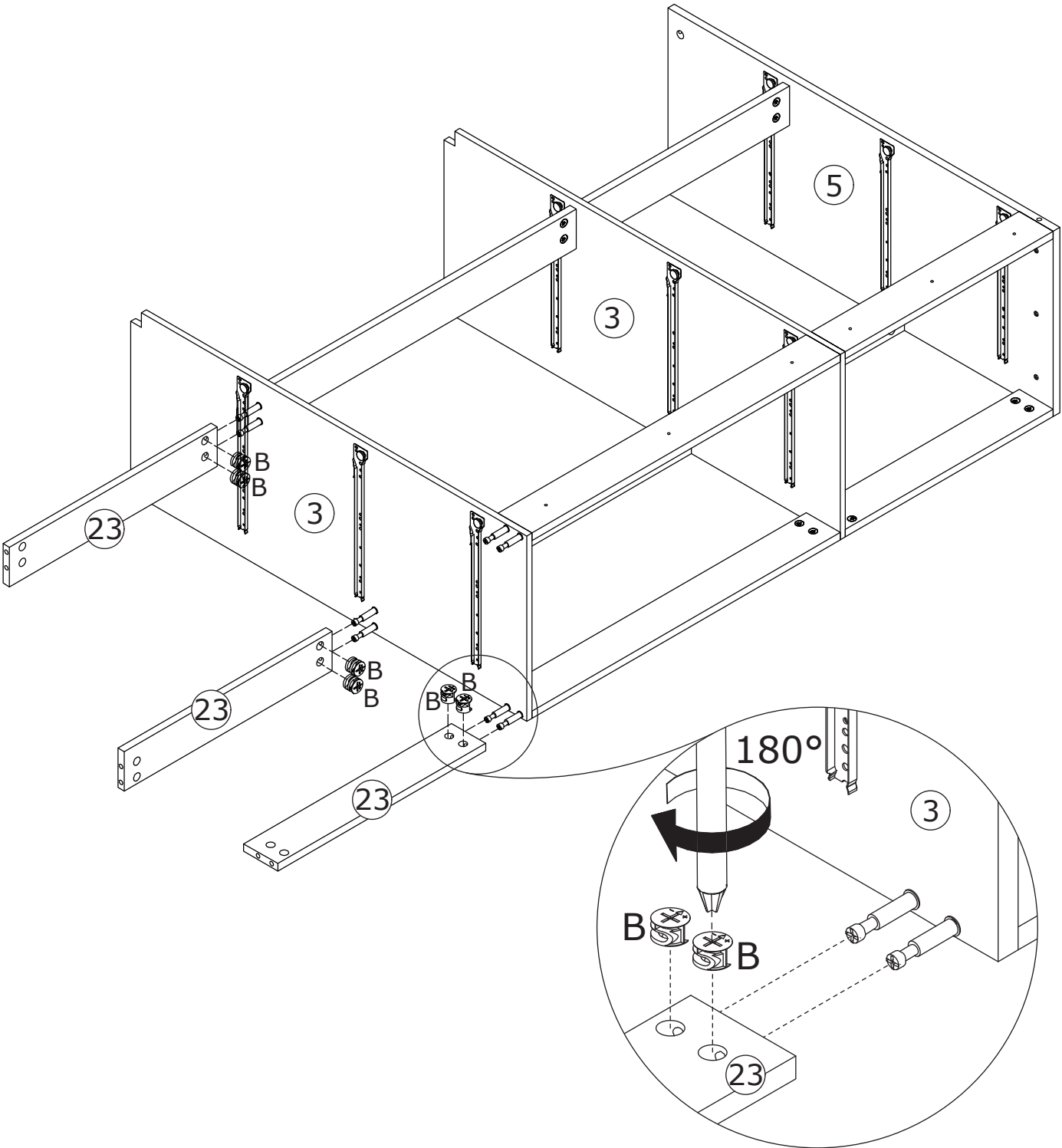


12

B x 6
Ø 15 x 10 mm

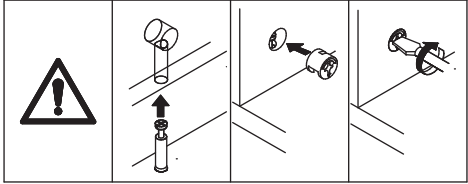
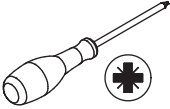


Attach panel 23 to panel 3, add cam lock(B) into panel 23 and turn clockwise to tighten as shown.

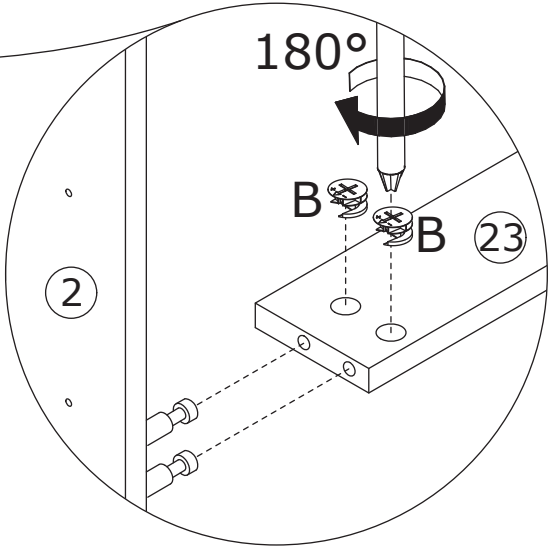
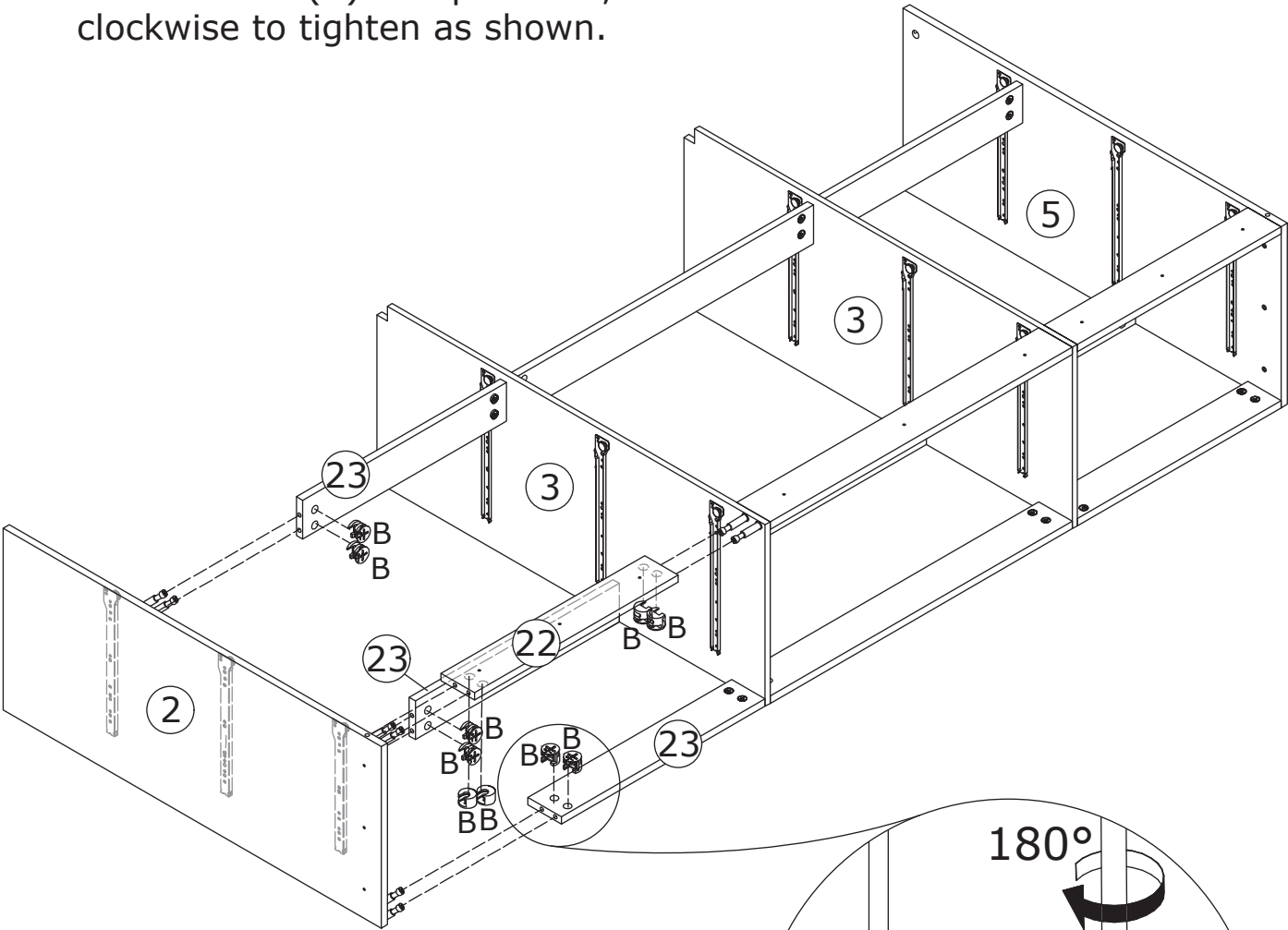


13

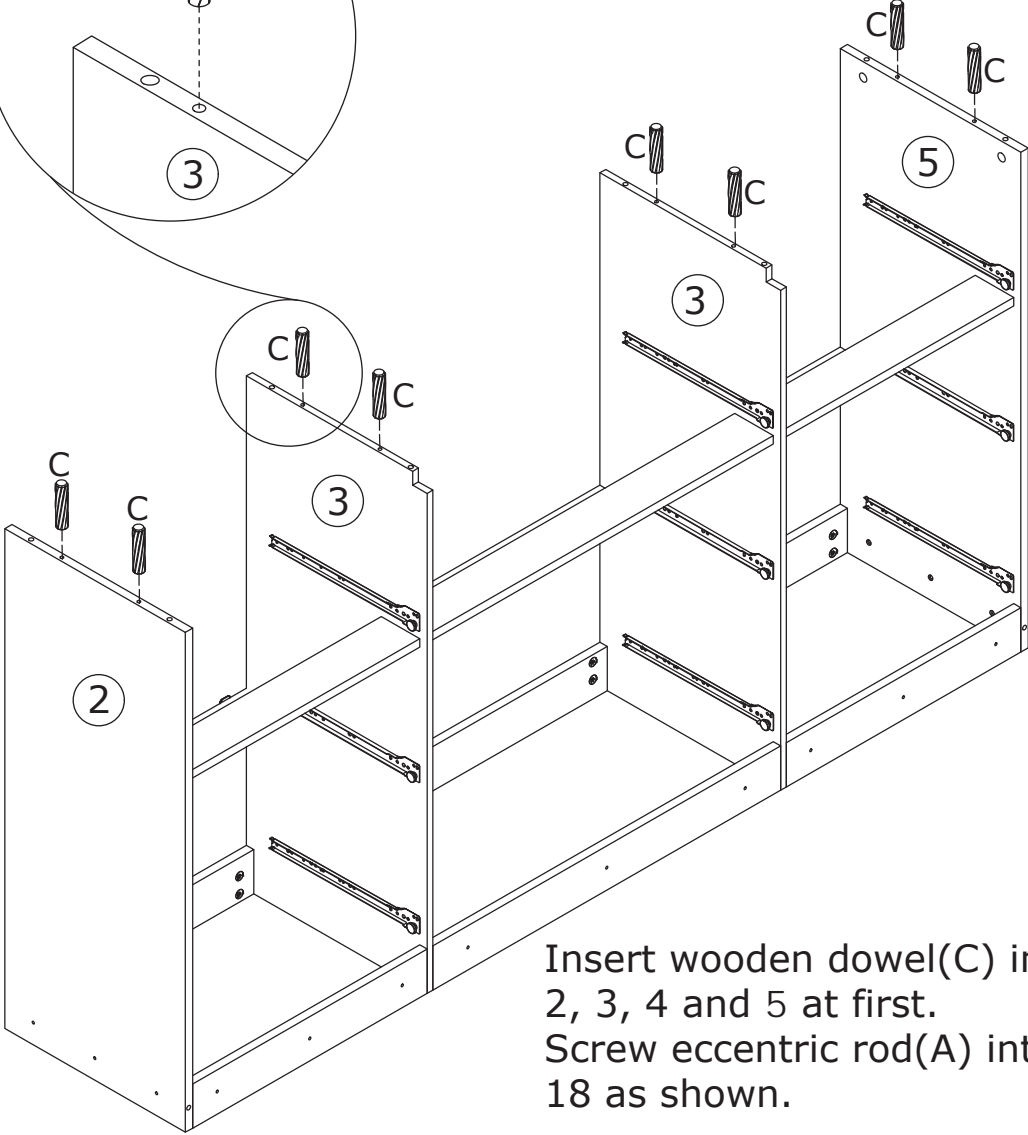
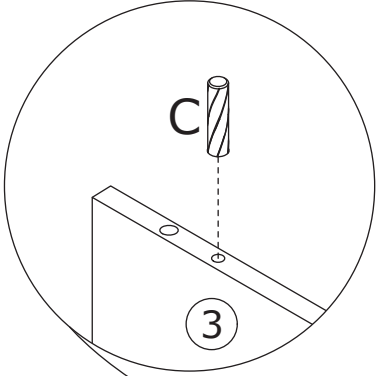
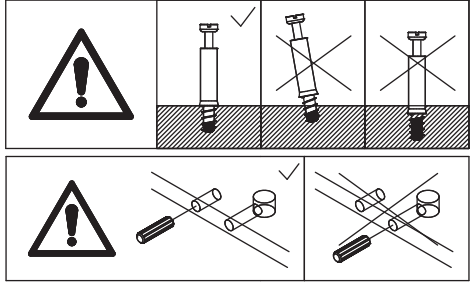
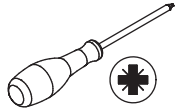
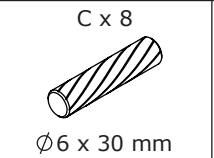
B x 10
Ø 15 x 10 mm



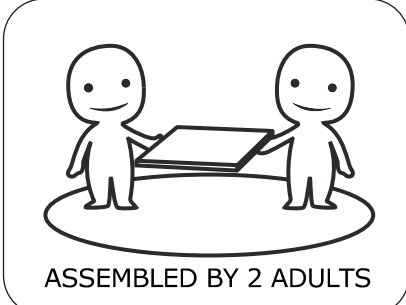
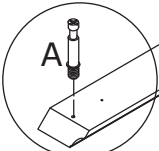
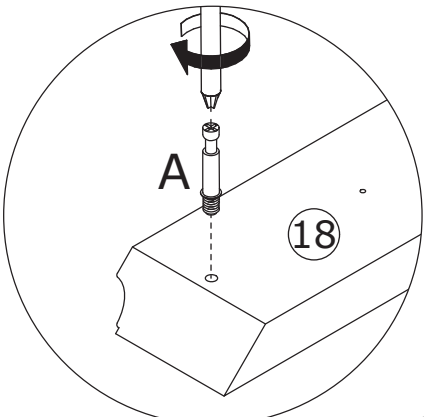
Attach panel 22 and 2 to panel 3 and 23,
add cam lock(B) into panel 22,23 and turn
clockwise to tighten as shown.



14



Insert wooden dowel(C) into panel 2, 3, 4 and 5 at first.
Screw eccentric rod(A) into panel 18 as shown.



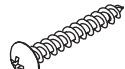
15

B x 2

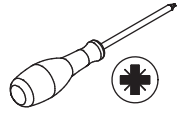


Ø15 x 10 mm

G x 9

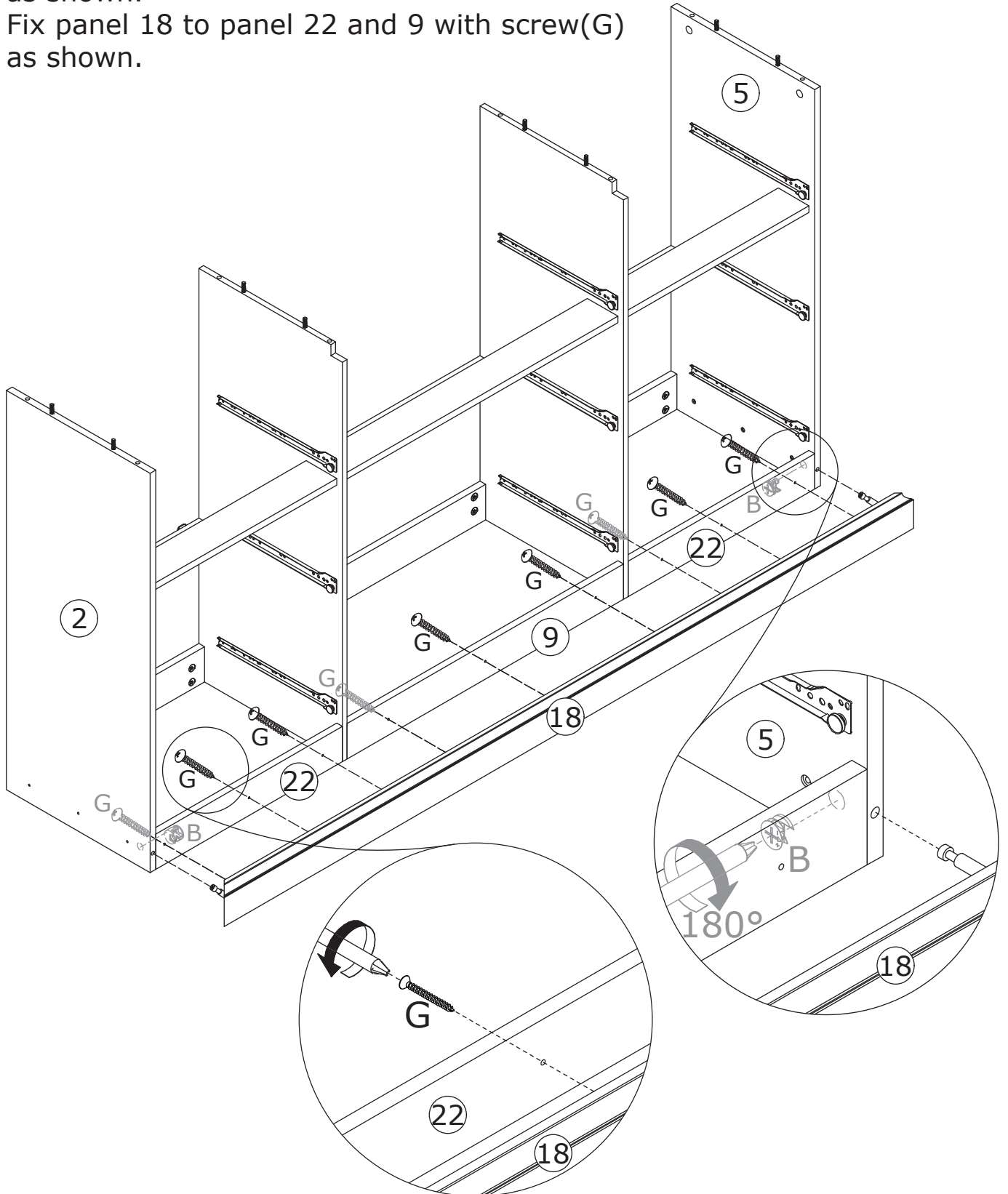
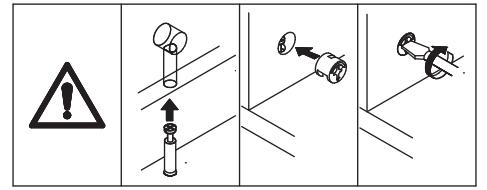


Ø4 x 30 mm

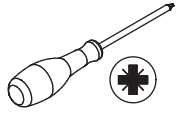
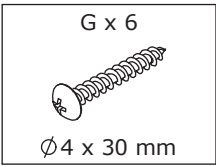


Attach panel 18 to panel 2 and 5, add cam lock(B) into and turn clockwise to tighten as shown.

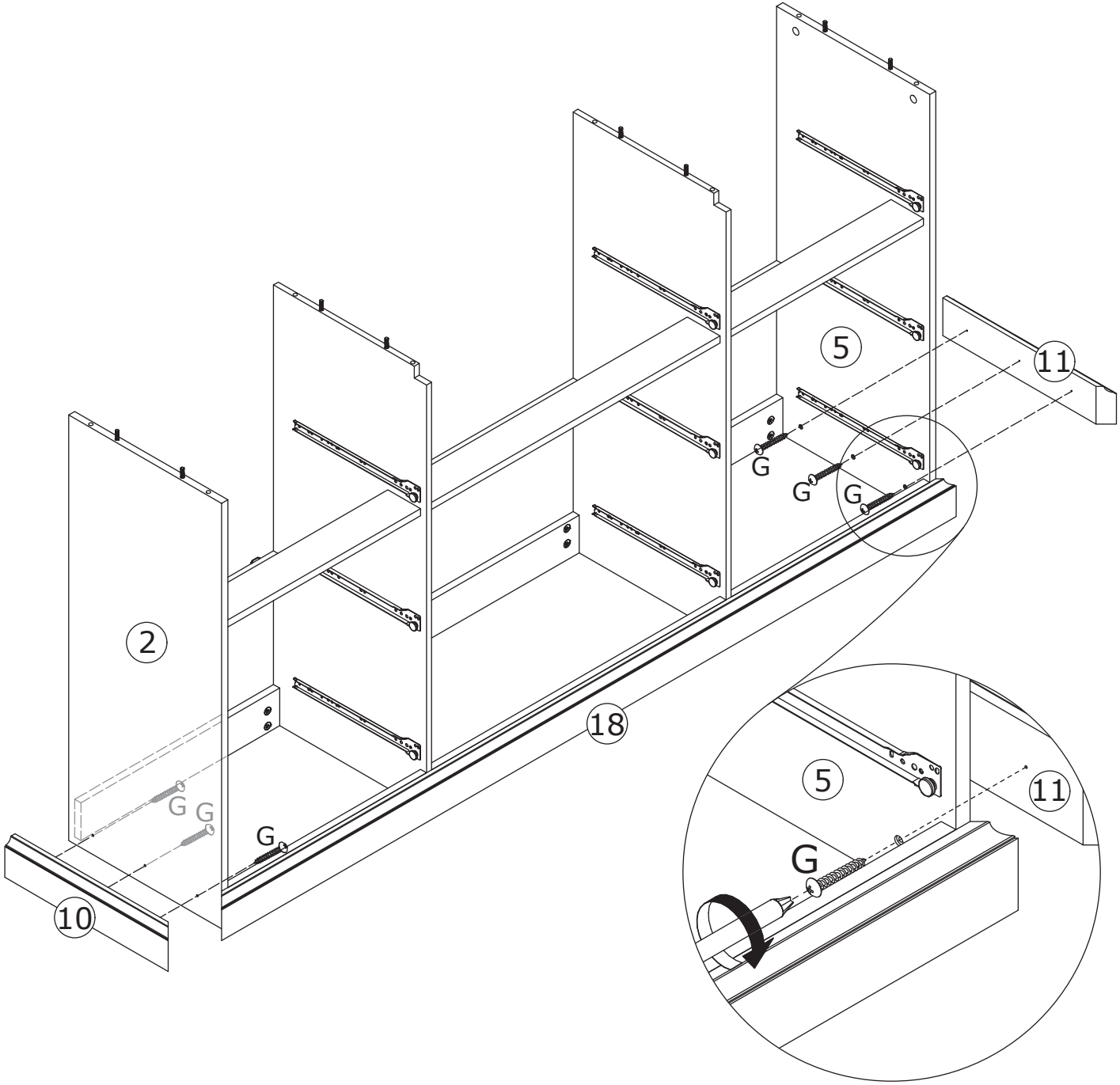
Fix panel 18 to panel 22 and 9 with screw(G) as shown.



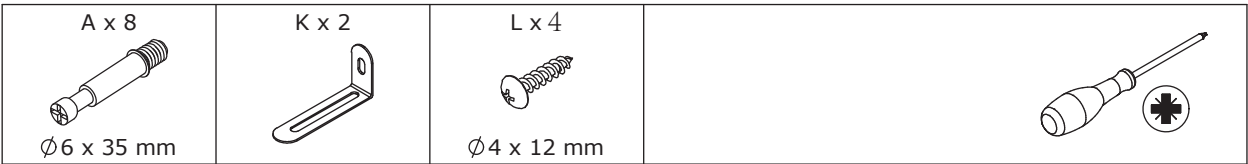
16



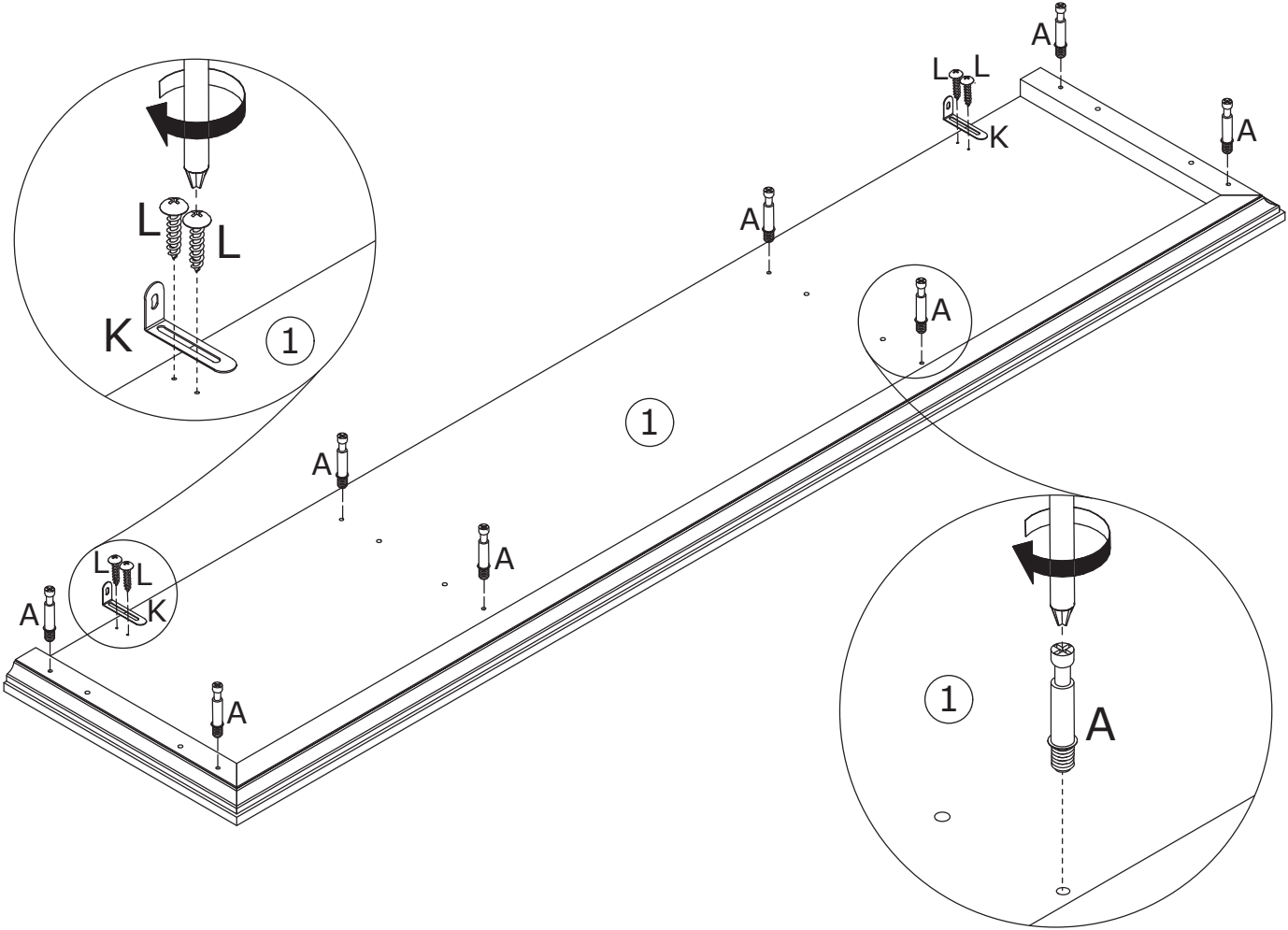
Fix panel 10 and 11 to panel 2 and 5 with screw(G) as shown.



17

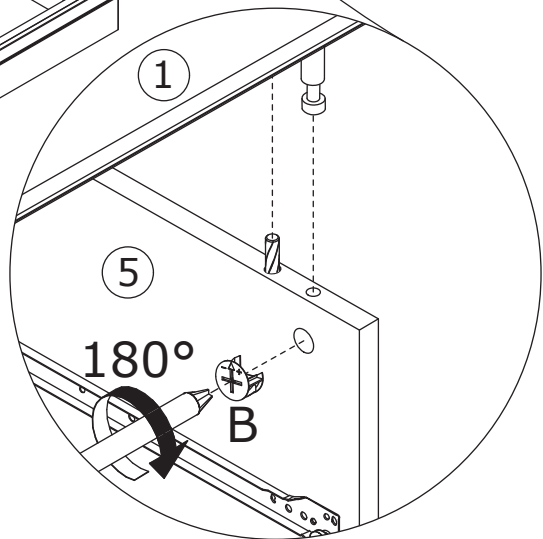
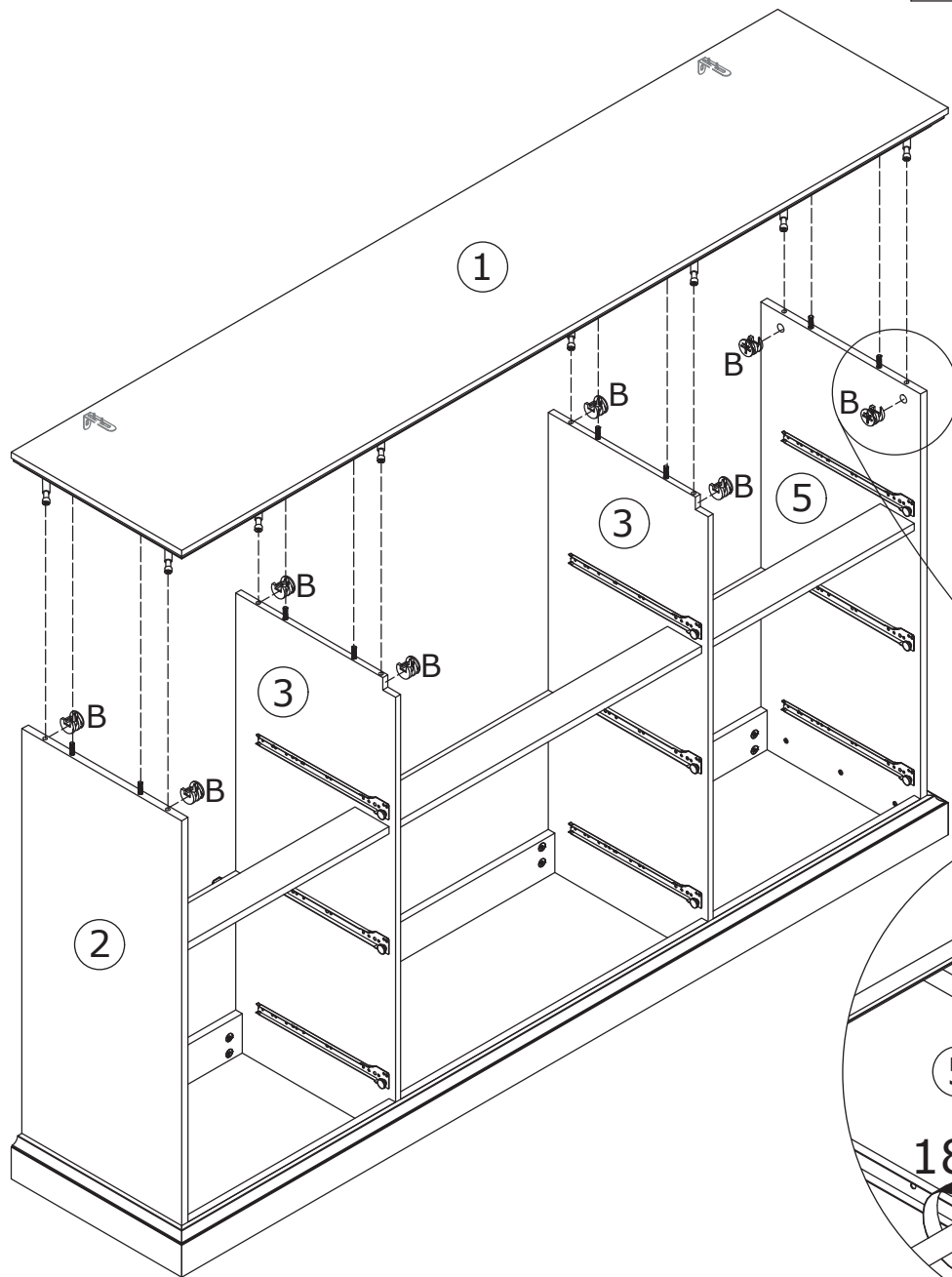
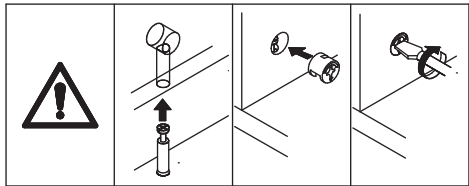
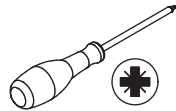


Screw eccentric rod(A) into panel 1, and fix part(K) with screw(L) as shown.

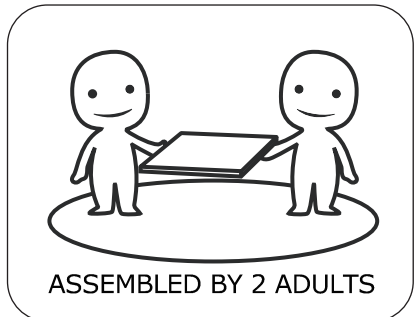


18

B x 8
Ø 15 x 10 mm



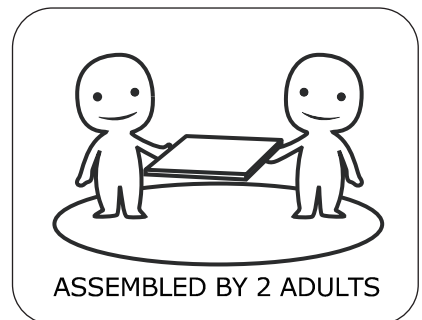
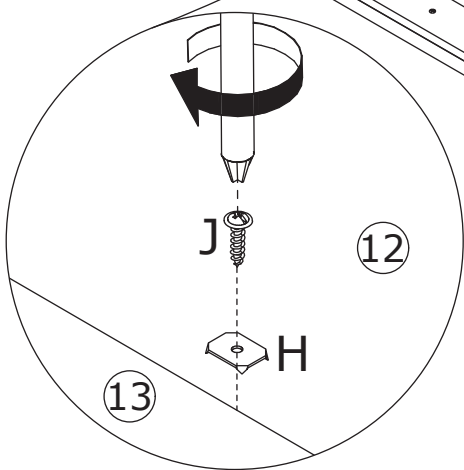
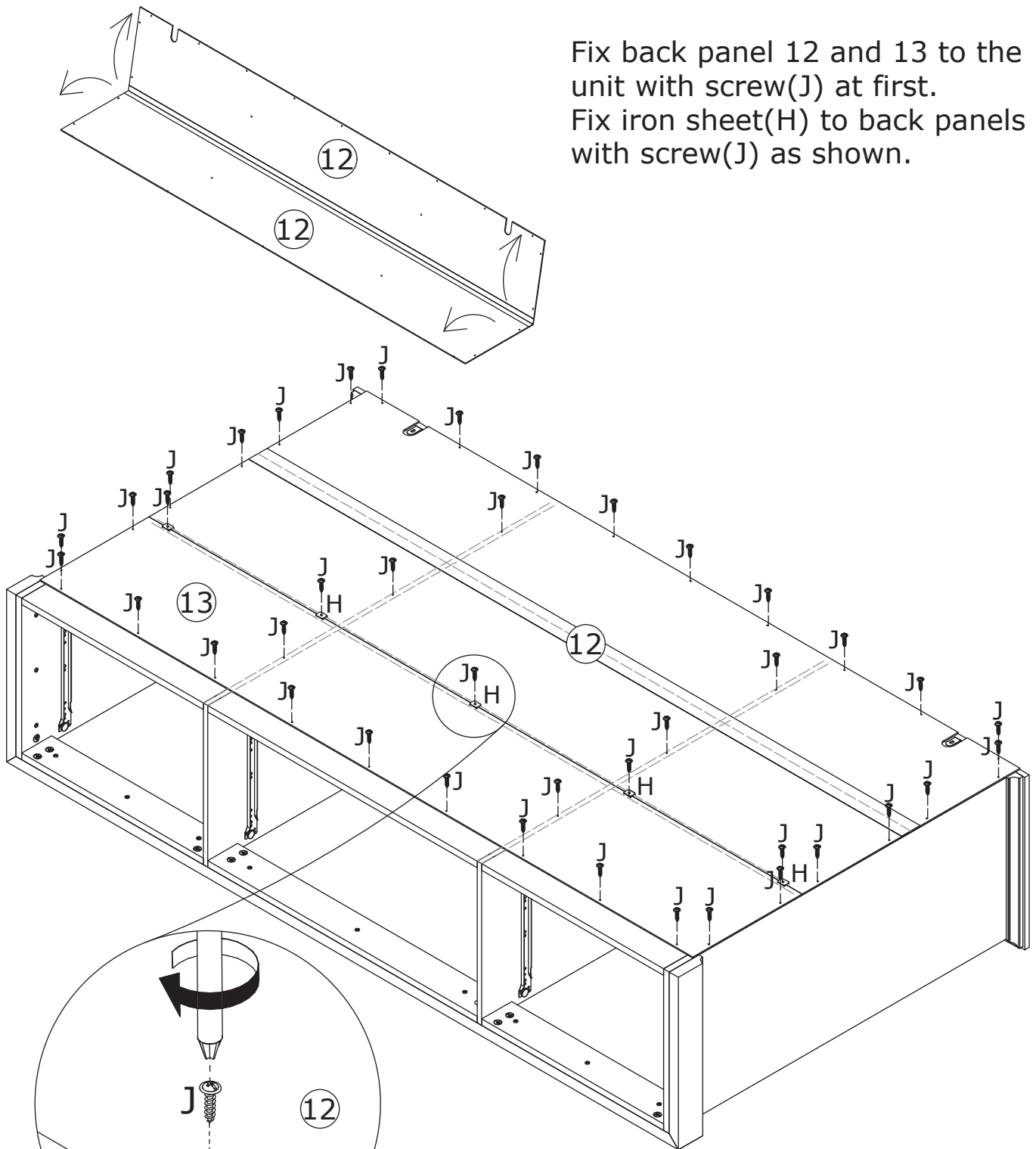
Attach panel 1 to panel 2, 3 and 5,
add cam lock (B) into and turn clockwise
to tighten as shown.



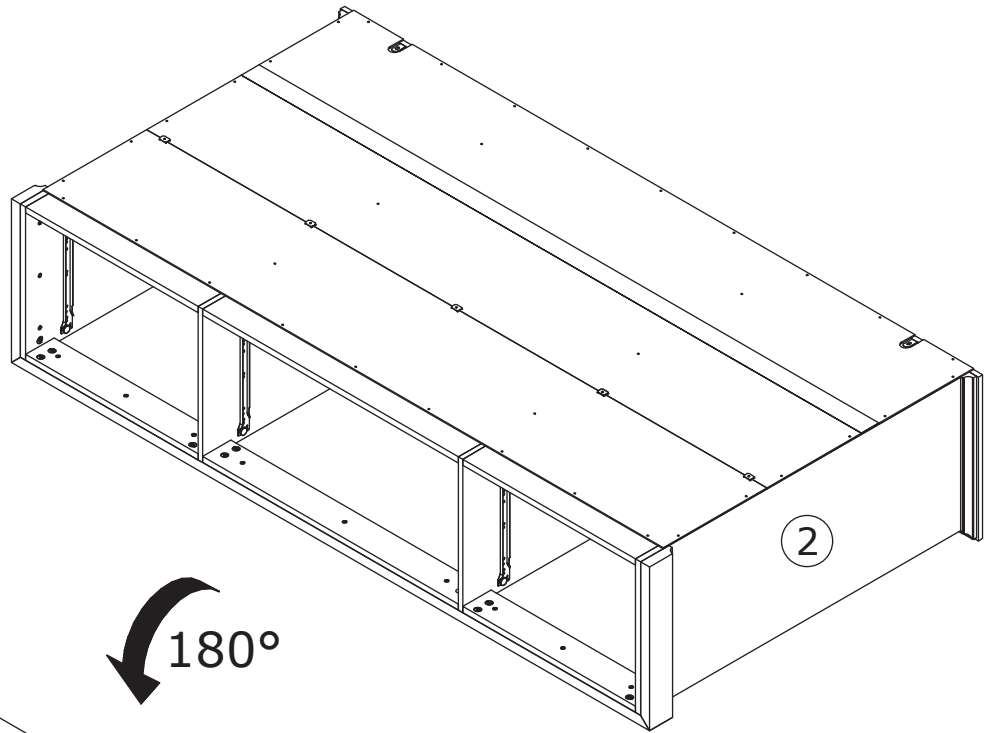
19

<p>H x 5</p> 	<p>J x 41</p>  <p>Ø2.5 x 12 mm</p>	
--	---	---

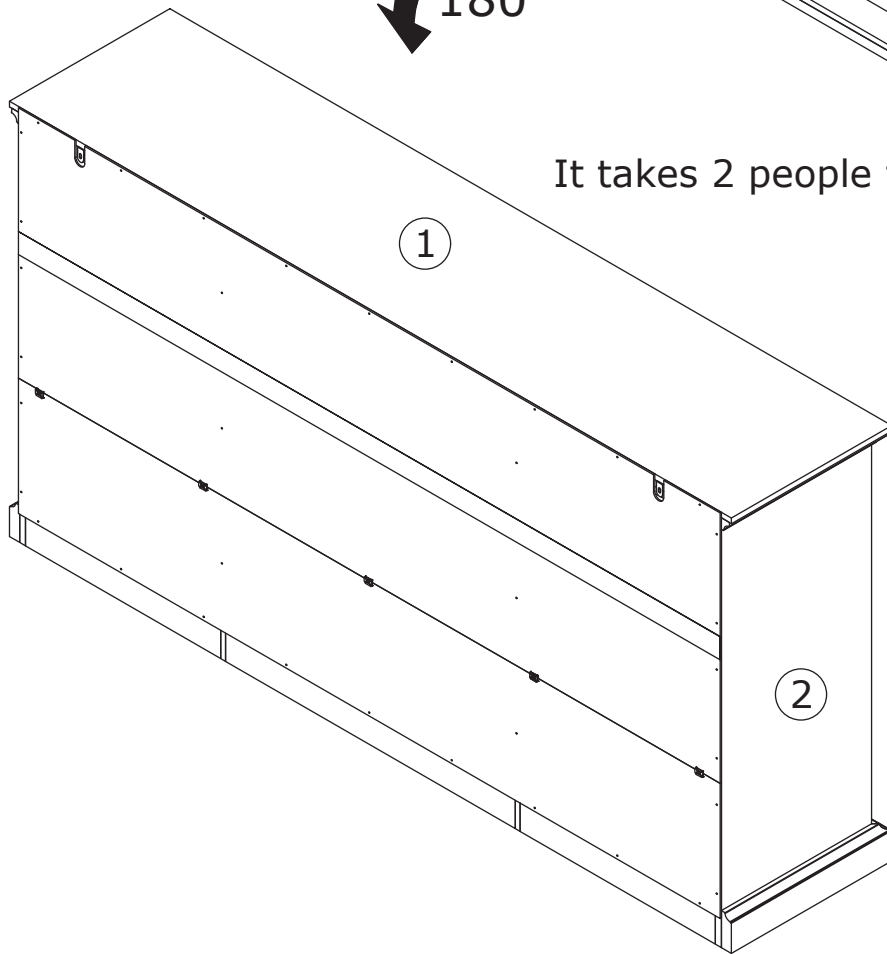
Fix back panel 12 and 13 to the unit with screw(J) at first.
Fix iron sheet(H) to back panels with screw(J) as shown.



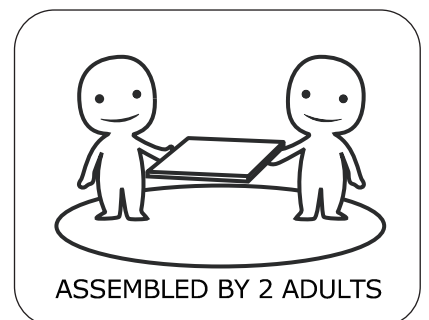
20



180°

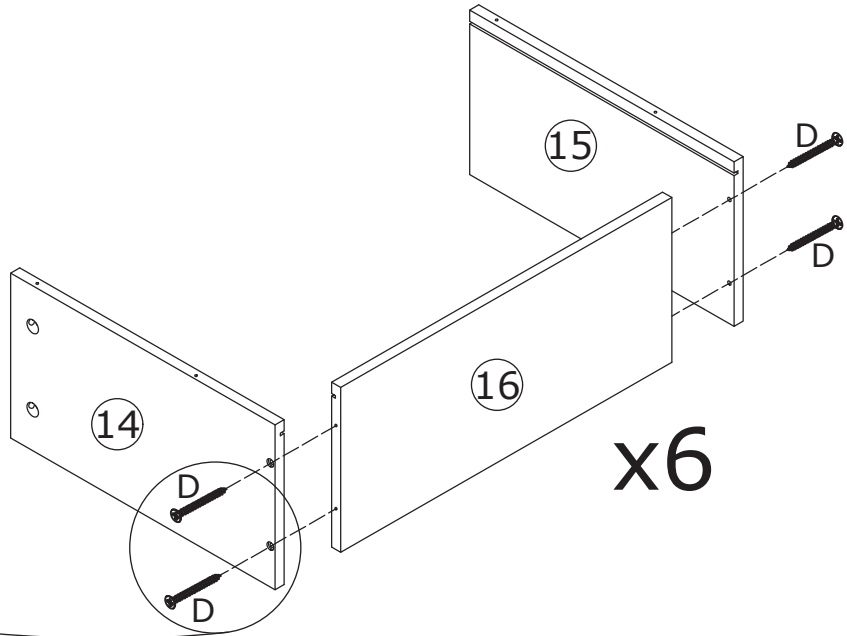
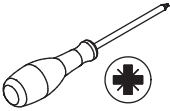


It takes 2 people to stand the cabinet up.

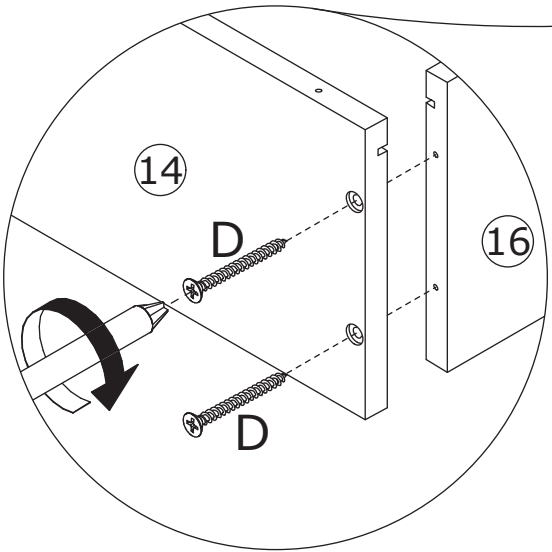


21

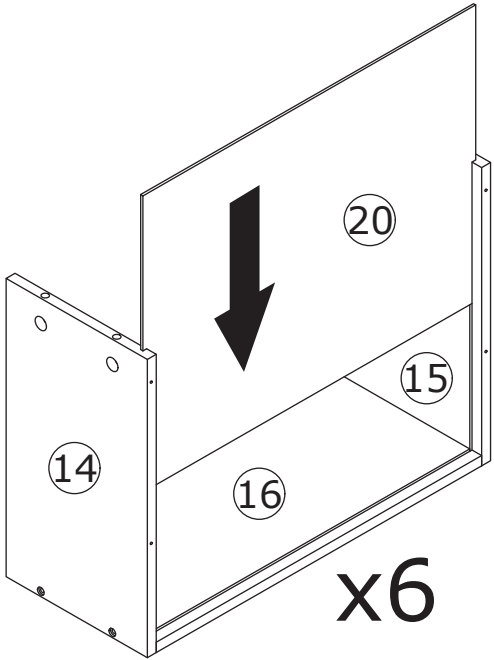
D x 24
Ø4 x 35 mm



x6

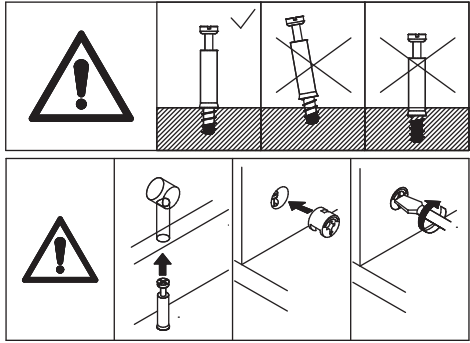
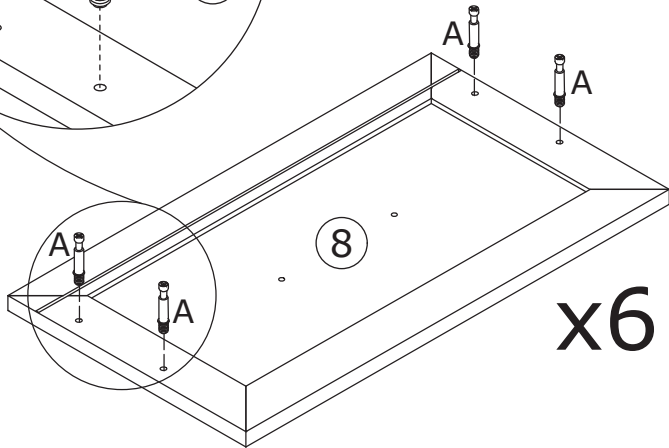
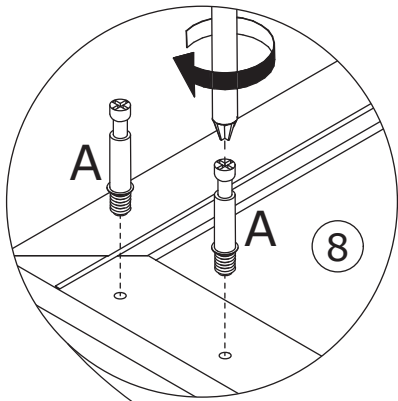
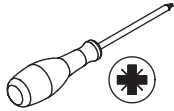
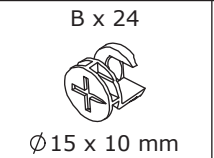


Fix panel 14 and 15 to panel 16 with screw(D) as shown.
Insert panel 20 along available grooves as shown.

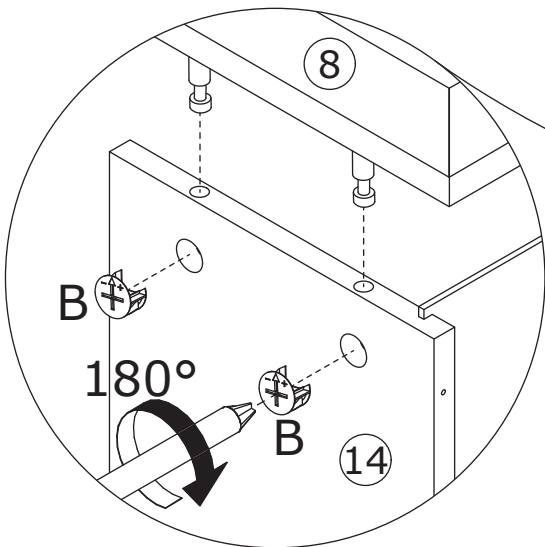
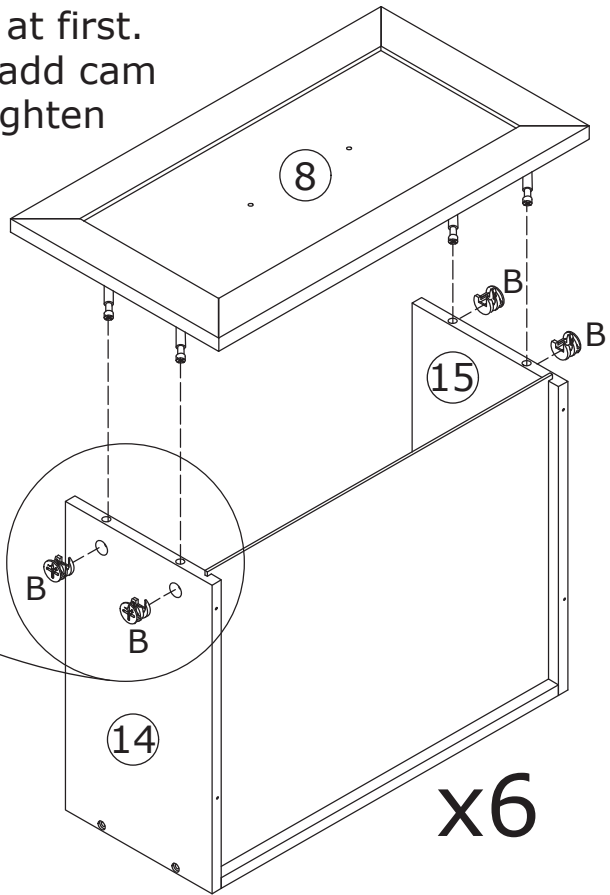


x6

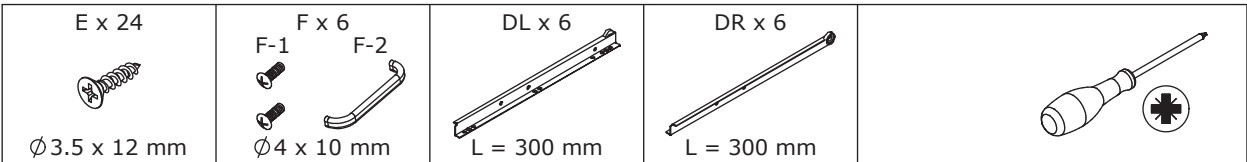
22



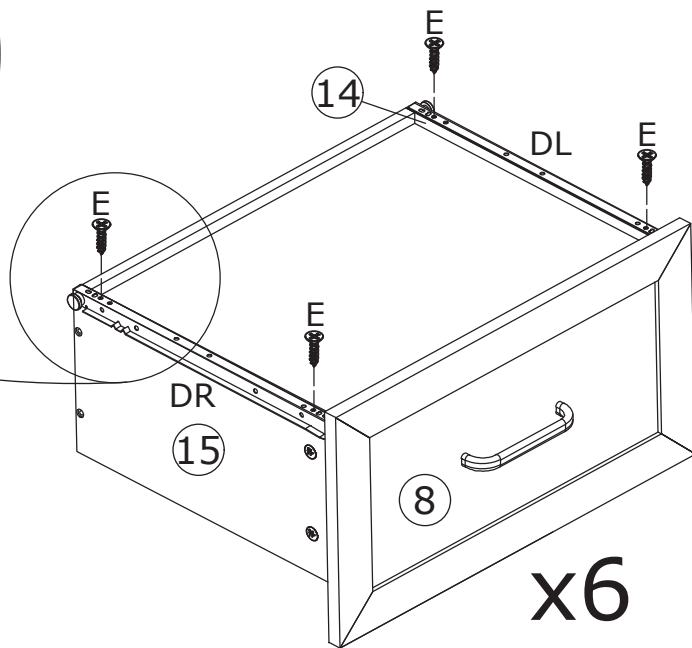
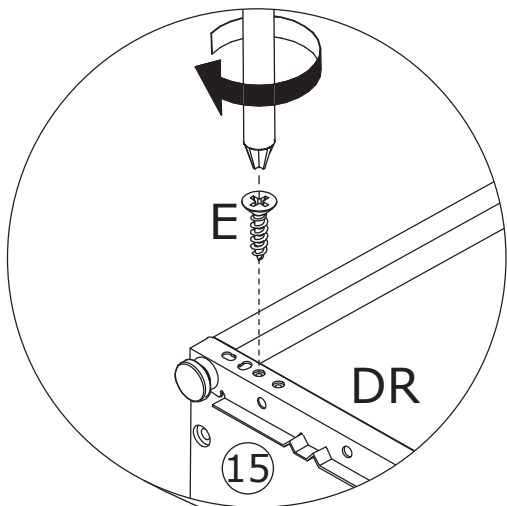
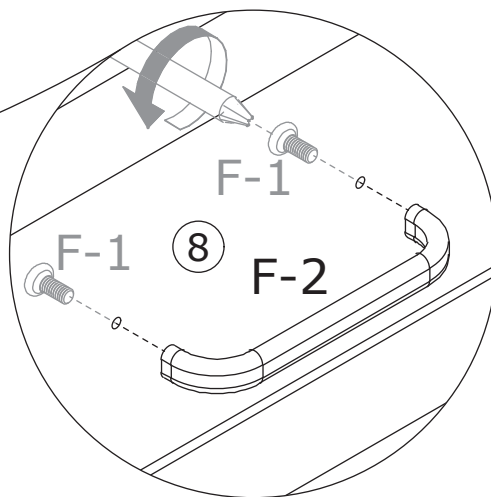
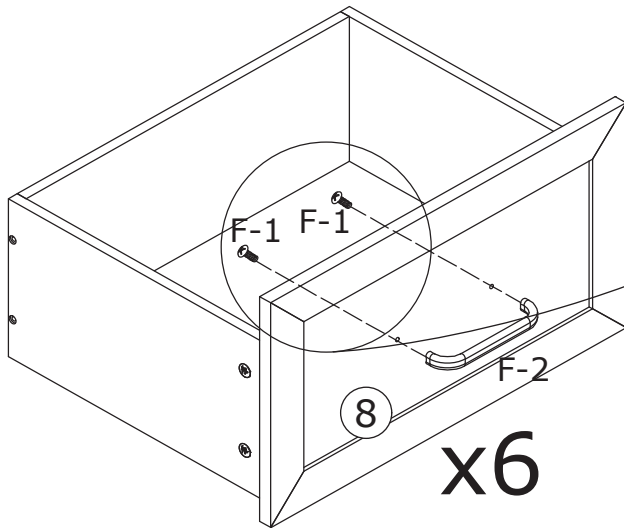
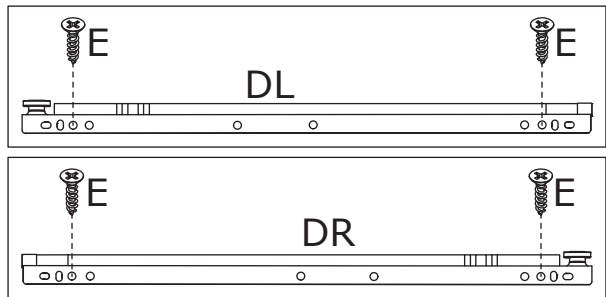
Screw eccentric rod(A) into panel 8 at first.
Attach panel 8 to panel 14 and 15, add cam
lock(B) into and turn clockwise to tighten
as shown.



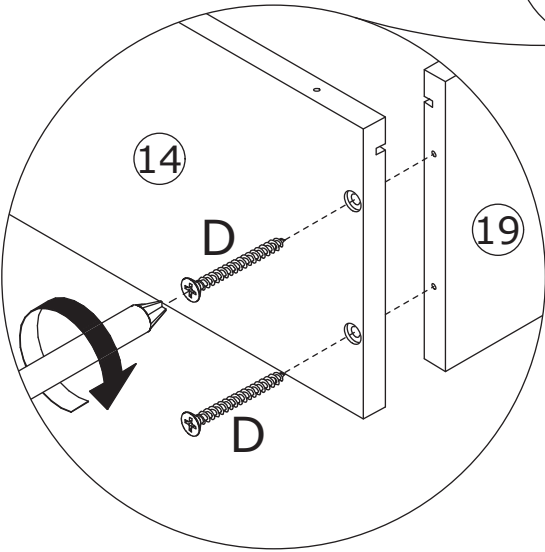
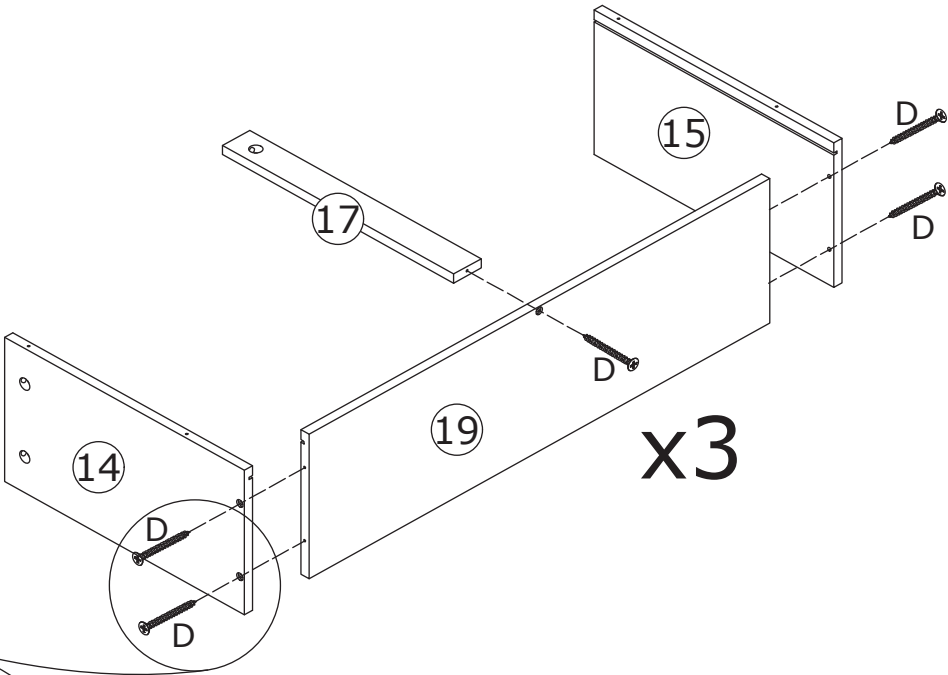
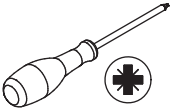
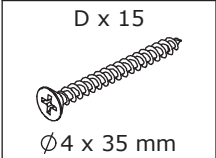
23



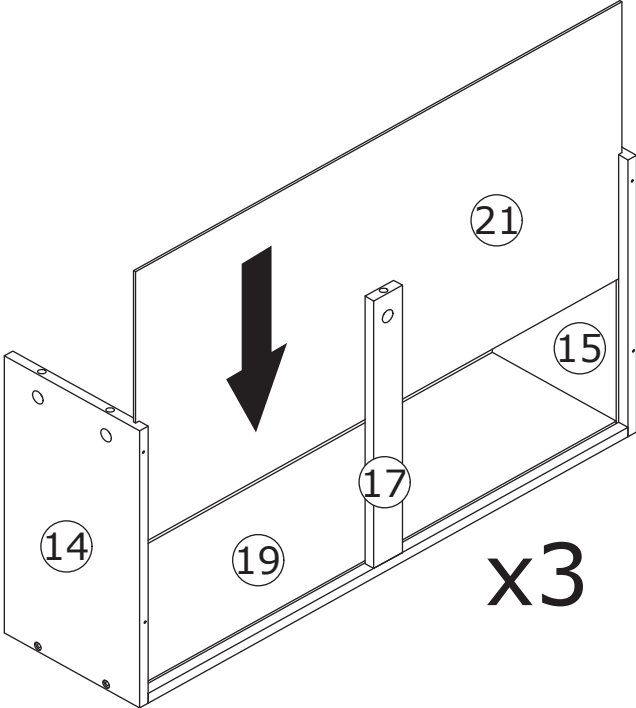
Fix handle(F) as shown.
Fix track(DL) and (DR) to panel 14 and 15 with screw(E) as shown.



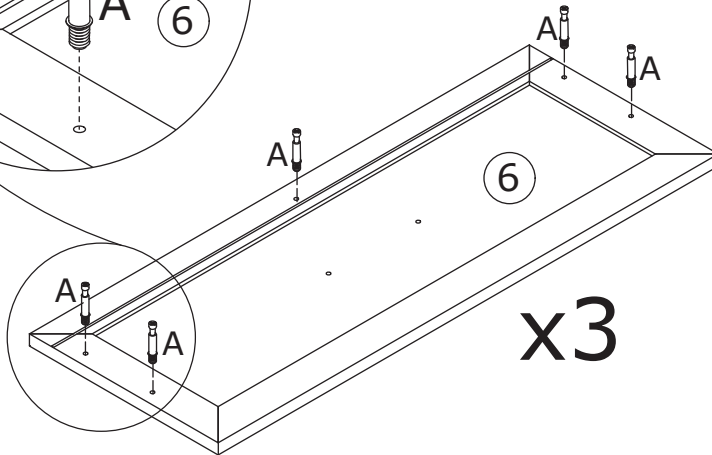
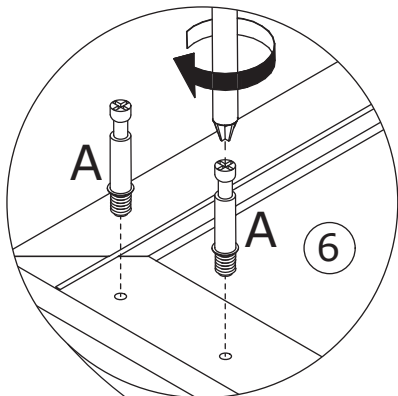
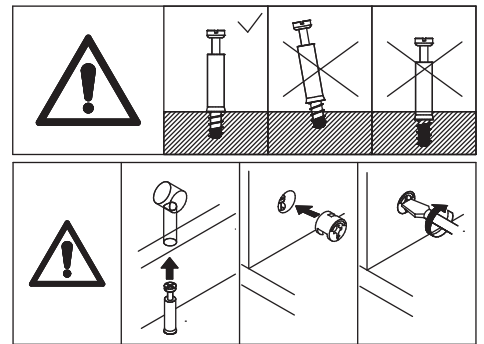
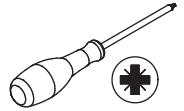
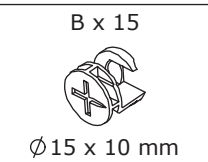
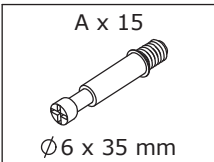
24



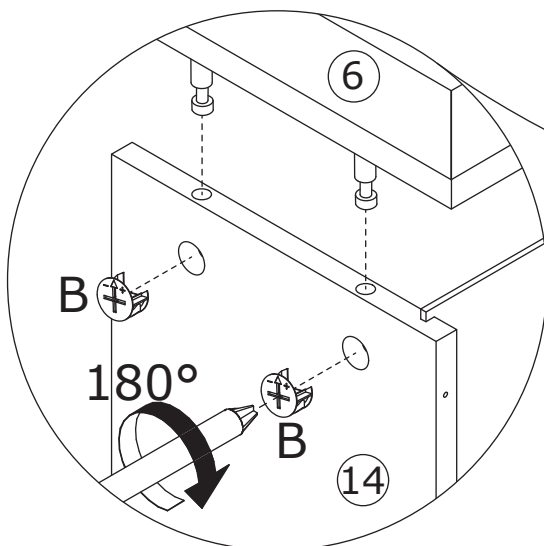
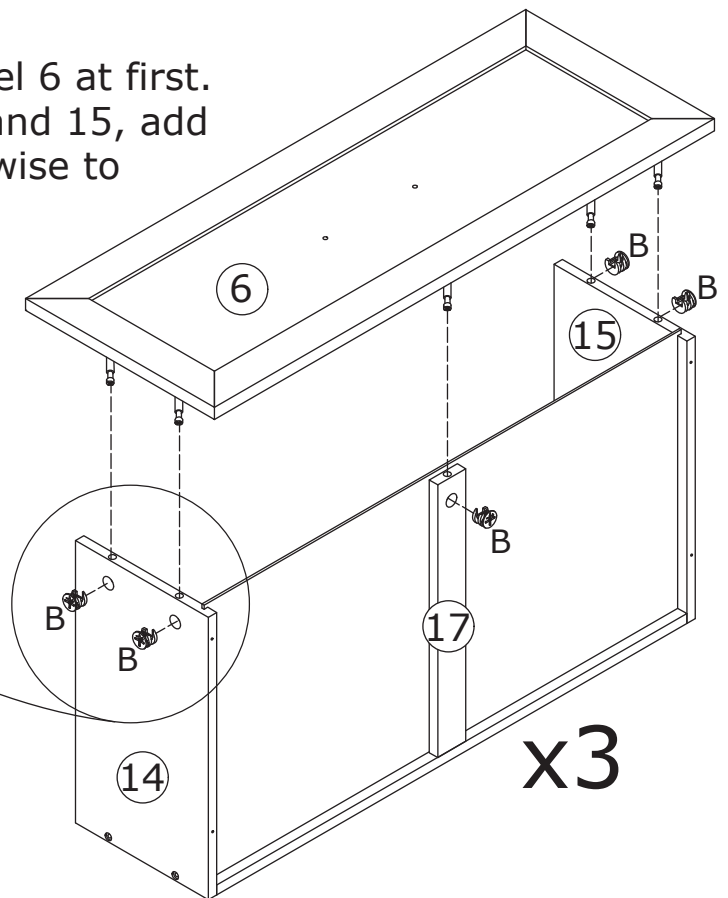
Fix panel 14, 17 and 15 to panel 19 with screw(D) as shown.
Insert panel 21 along available grooves as shown.



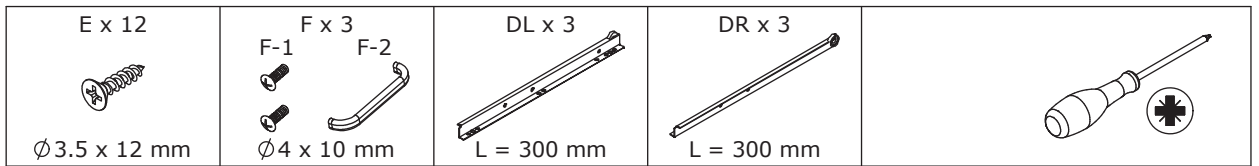
25



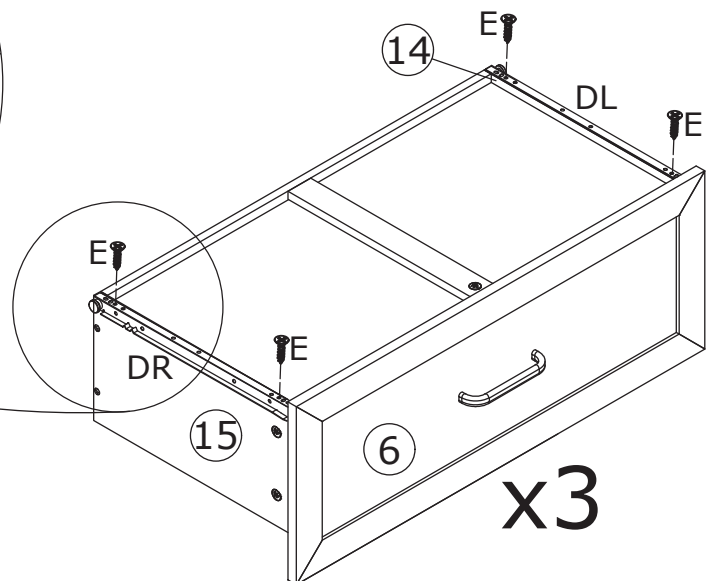
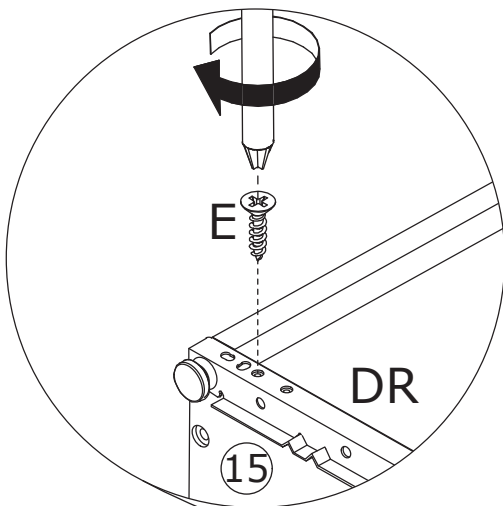
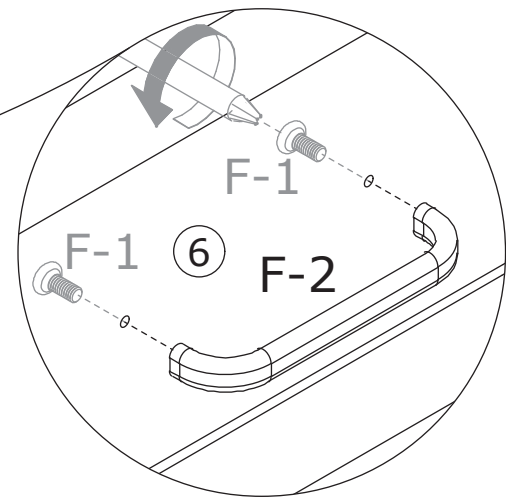
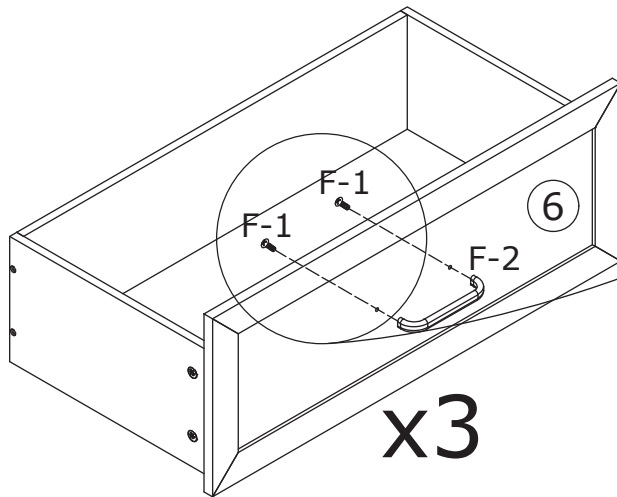
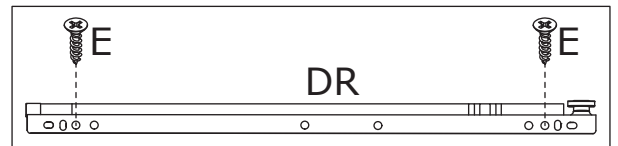
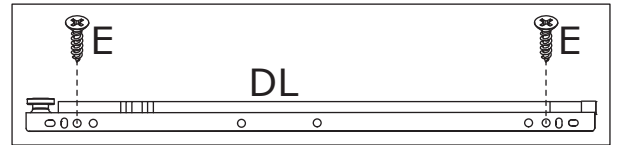
Screw eccentric rod(A) into panel 6 at first.
Attach panel 6 to panel 14, 17 and 15, add
cam lock(B) into and turn clockwise to
tighten as shown.



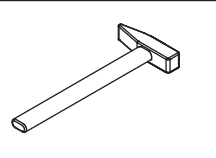
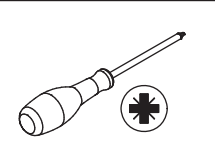
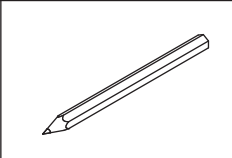
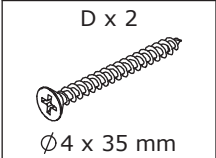
26



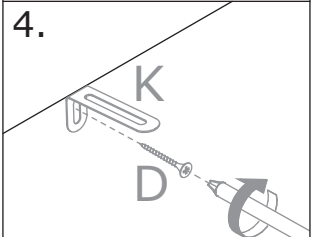
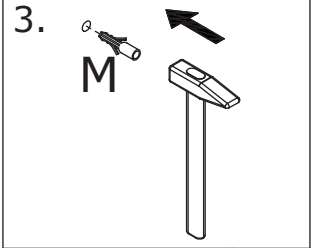
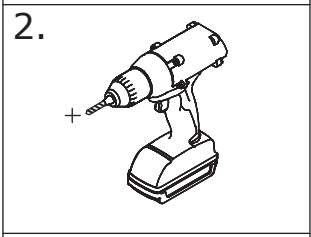
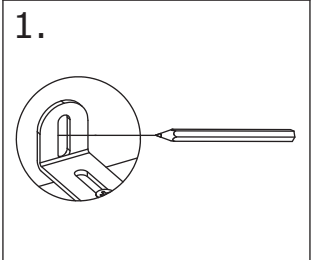
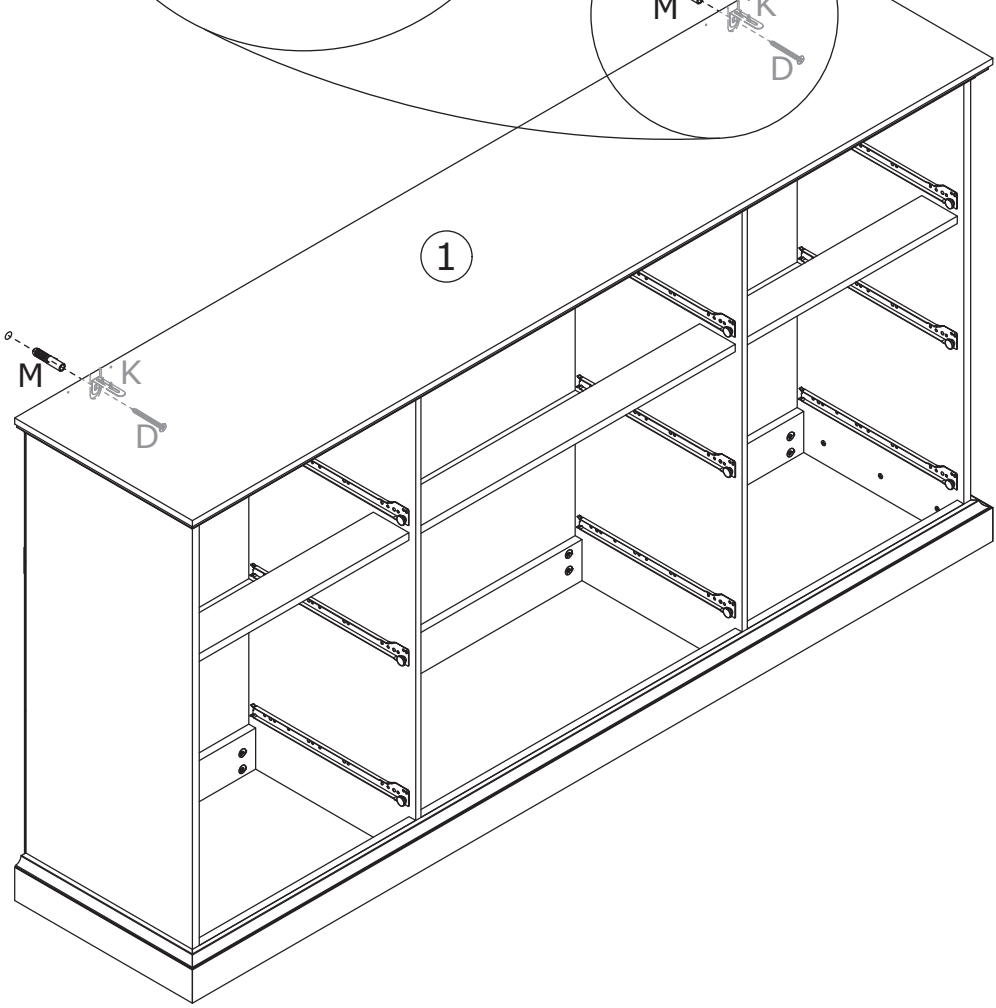
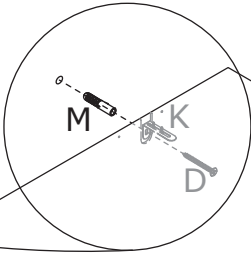
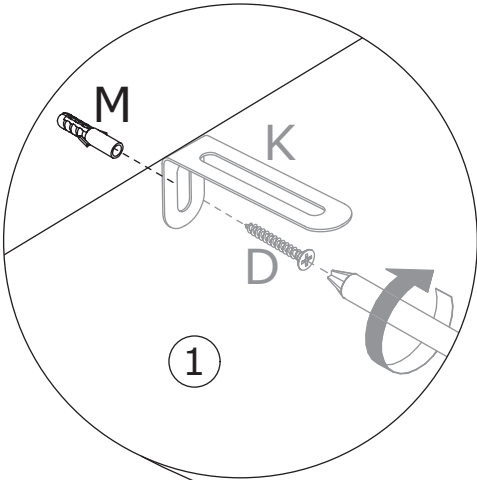
Fix handle(F) as shown.
Fix track(DL) and (DR) to panel 14
and 15 with screw(E) as shown.

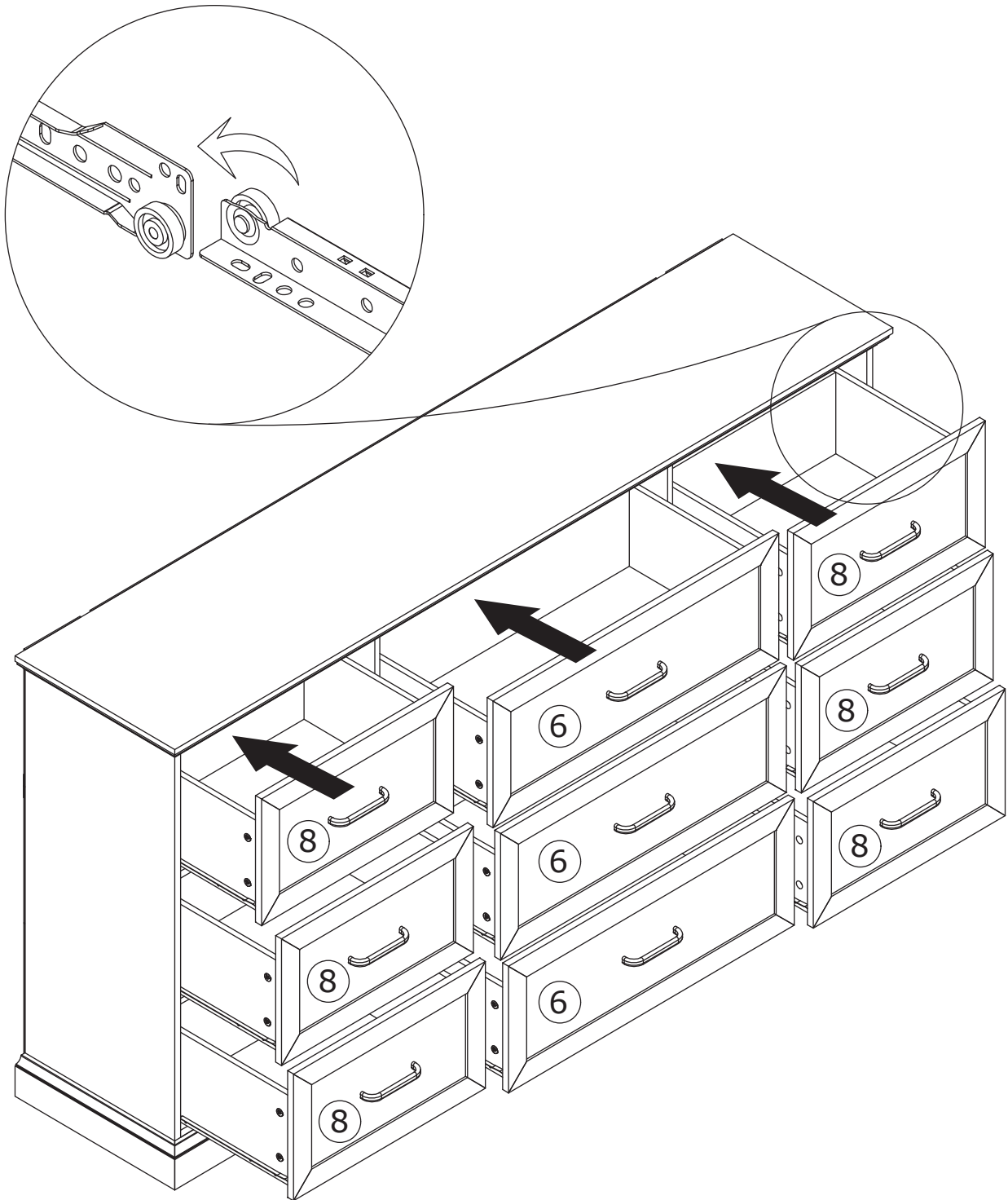


27



Install anti-tipping device as shown.





WARRANTY

WARRANTY CLAIMS

- There is a 30-day warranty for broken furniture or any other problems that do not work properly. The warranty will start from the date of purchase which must be verified by proof of purchase.
- Before making a claim, we may be able to answer your query, simply call us. Please leave your purchase order number, along with some details of the problem, if you want a replacement part. We will arrange within 48 hours. If there is out of stock, we will reply with a shipping date.
- The product must be used in accordance with the instructions provided. For health reasons.
- For other reasons, if the furniture needs to be returned, it must be cleaned and dried and operated within 30 days of receipt.

Type of Warranty Claim

- Failure to follow the furniture instructions will invalidate the warranty. Attention please.
- Does not include damage during installation, but includes damage during transportation.

Scope of responsibility

- Shall not bear any responsibility for misuse or user damage and / or loss of parts during the installation of furniture.
- After using, the damage and scratches of the furniture are not covered by the warranty.

The Warranty Relates to All Bought in The Us and Covers The Following Areas

- Sheet parts: 1 month from the date of purchase.
- Electrical parts: 1 month from the date of purchase.