

Installation Instructions

ASSEMBLY INSTRUCTIONS:

- * Before assembling, make sure that you lay out and identify all parts listed in the parts list.
- * All bolts should be hand tightened before use. Never use power tools or excessive force during assembly and tightening of bolts.
- * Please place the umbrella on a flat protected surface during assembly.

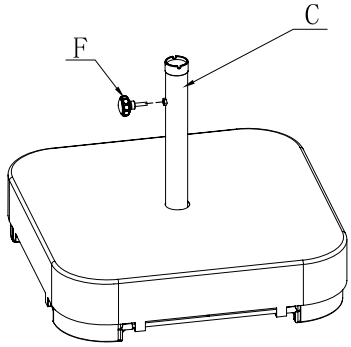
NOTES FOR USE:

- * The first time to open the umbrella before you need to first reason under the umbrella cloth and umbrella bone

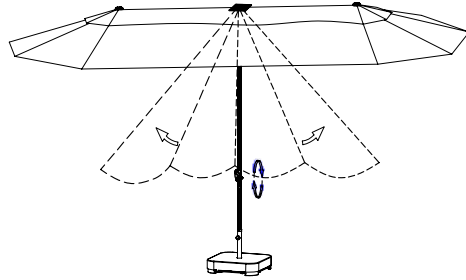
CARE INSTRUCTIONS:

- * Powder-coated ALU is durable and will last for many years of seasonal use. recommend touching up or repairing any scratches
- * When using an umbrella with a table, always make sure the protective ring is in the umbrella hole and the umbrella is secured using a sturdy umbrella base.
- * Never use any umbrella at a table during windy conditions.

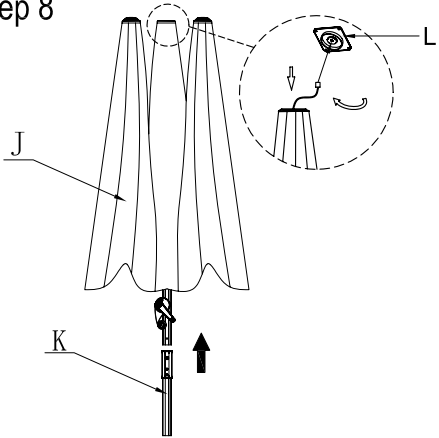
step 7



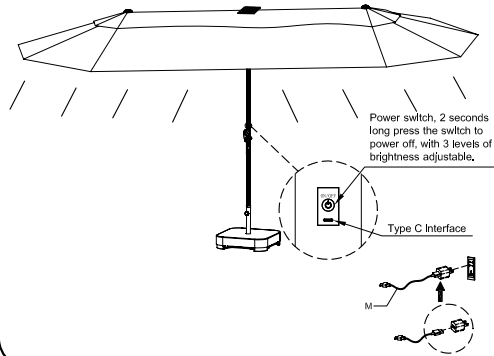
step 10



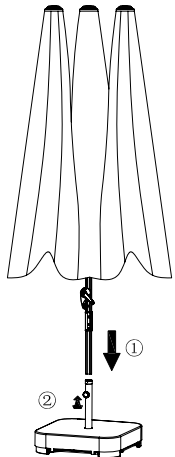
step 8



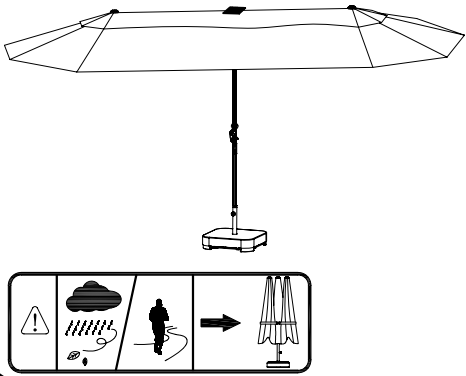
step 11



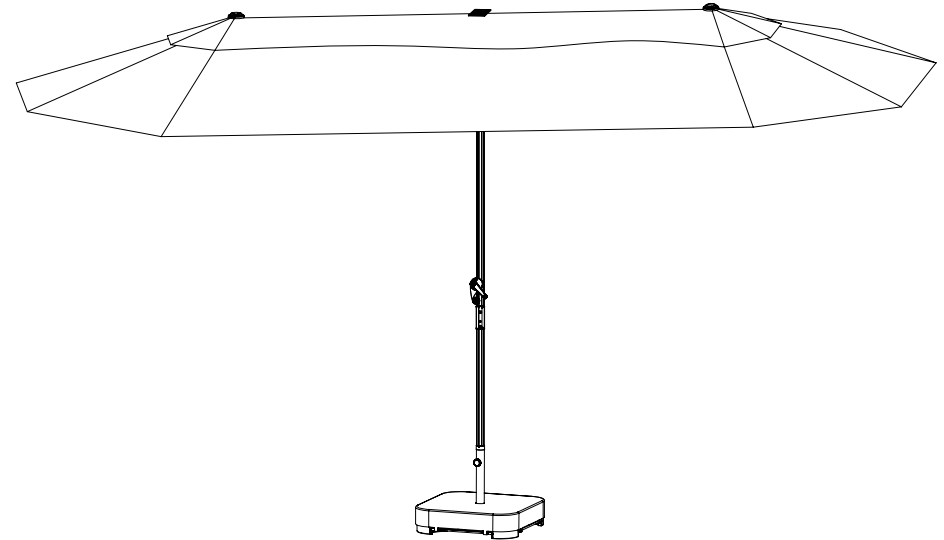
step 9



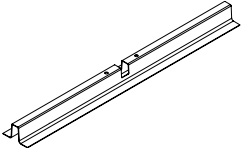
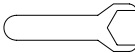
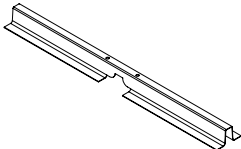
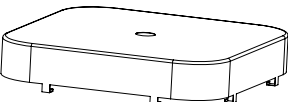

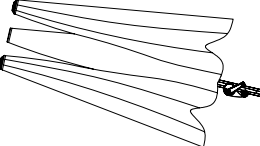

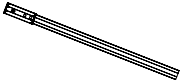





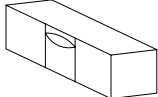
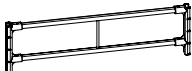
step 12



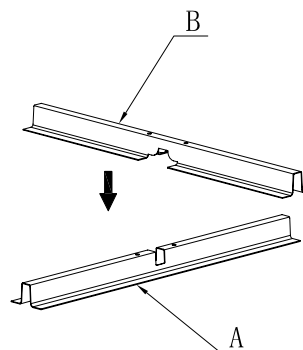
15 FT Twin Double Sided Patio Umbrella Installation Instructions



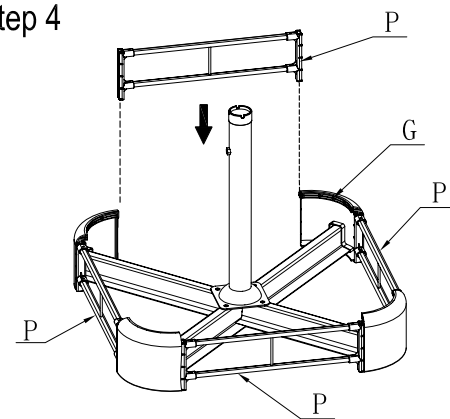
Parts & Tools

PART	QTY	PICTURE	PART	QTY	PICTURE
A	1		H	1	
B	1		I	1	
C	1		J	1	
D	4	 (M8X25)	K	1	
E	4	 (ø8)	L	1	
F	1		M	1	
G	4		N	2	
			P	4	

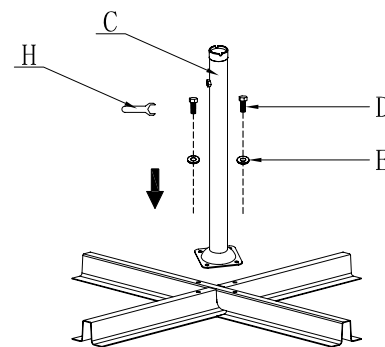
step 1



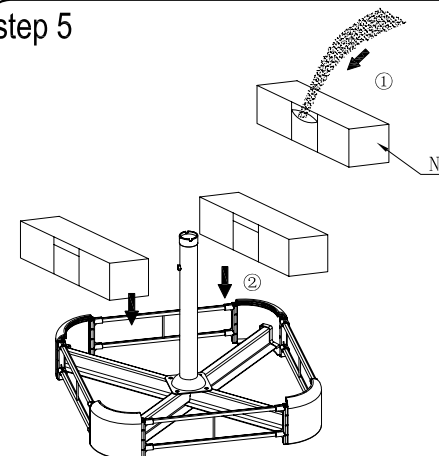
step 4



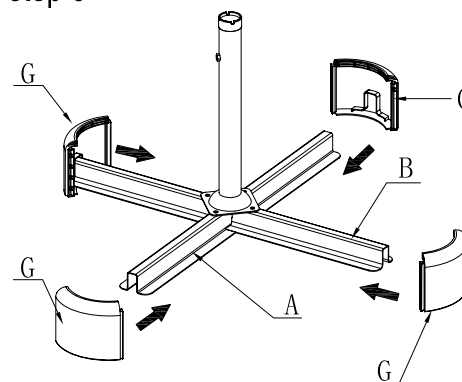
step 2



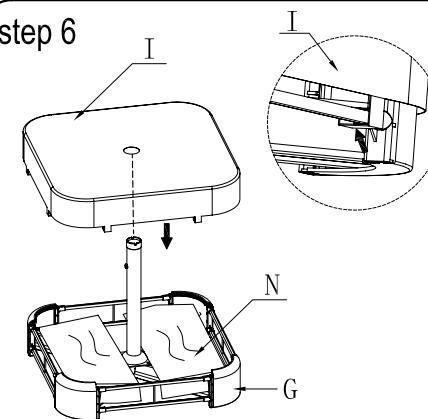
step 5



step 3



step 6





Call us First !

DO NOT RETURN TO STORE