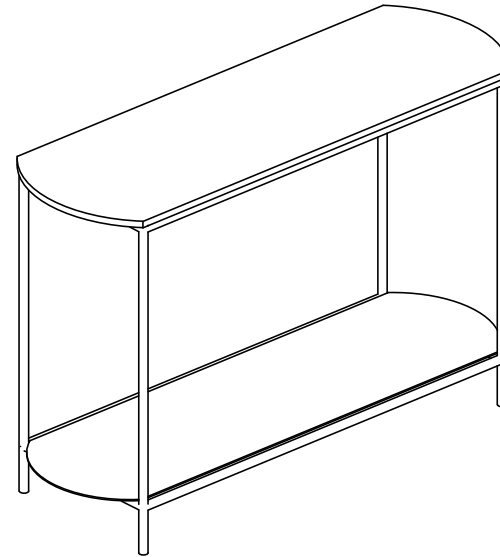


MACKLYN OVAL MARBLE TOP CONSOLE TABLE

DESIGN # SFV5771A

Assembly Instructions



Need help?

Feel free to contact us via email or call
if you have any specific questions!

contact us:

cs@safavieh.com

866-422-9070

SAFAVIEH
COUTURE

Thanks for bringing Safavieh Couture into your home

Everything we make is incredibly simple to set up, including your console table. you won't need any additional tools.

Parts List

A x 1
MARBLE
TOP



B x 1
CONSOLE



Hardware List

HW1 x 10
Allen bolt 16x6MM



HW2 x 10
Flat washer 16x8MM

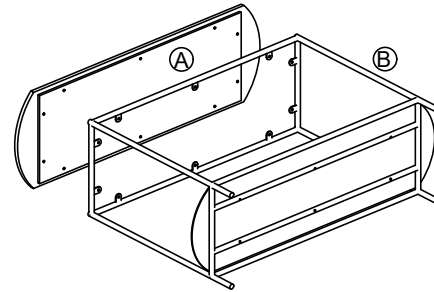


HW3 x 1
Allen Key 4MM



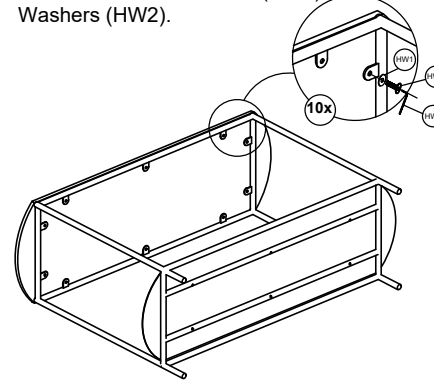
1

Place the Console (B) on its side on a soft and clean surface. Align the screw holes on the Console (B) to the screw holes on the bottom of the Marble Top (A).



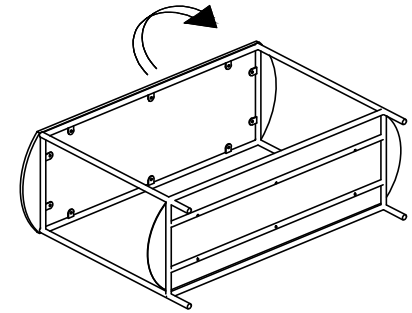
2

Place the Flat Washers (HW2) on the Allen Bolts (HW1). Attach the Marble Tops (A) to the Console (B) by using the Allen Key (HW3) to screw in the Allen Bolts (HW1) with the Washers (HW2).



3

Flip the assembled console table upright with the help of another person.



4

Place the console table in the place where you will use it.

We'd love to see it - just tag us (we're @safavieh) and use the hashtag #safavieh on Instagram

@safavieh

