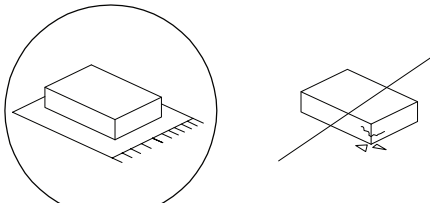


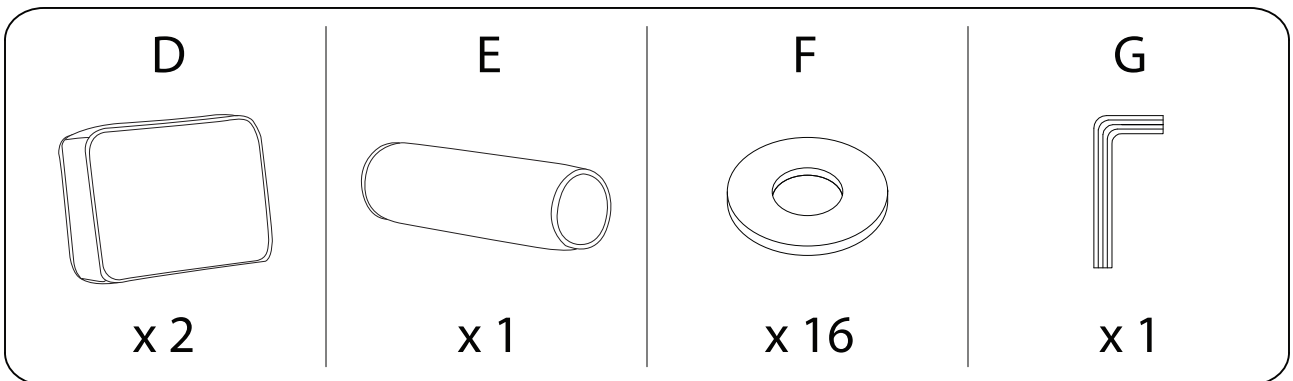
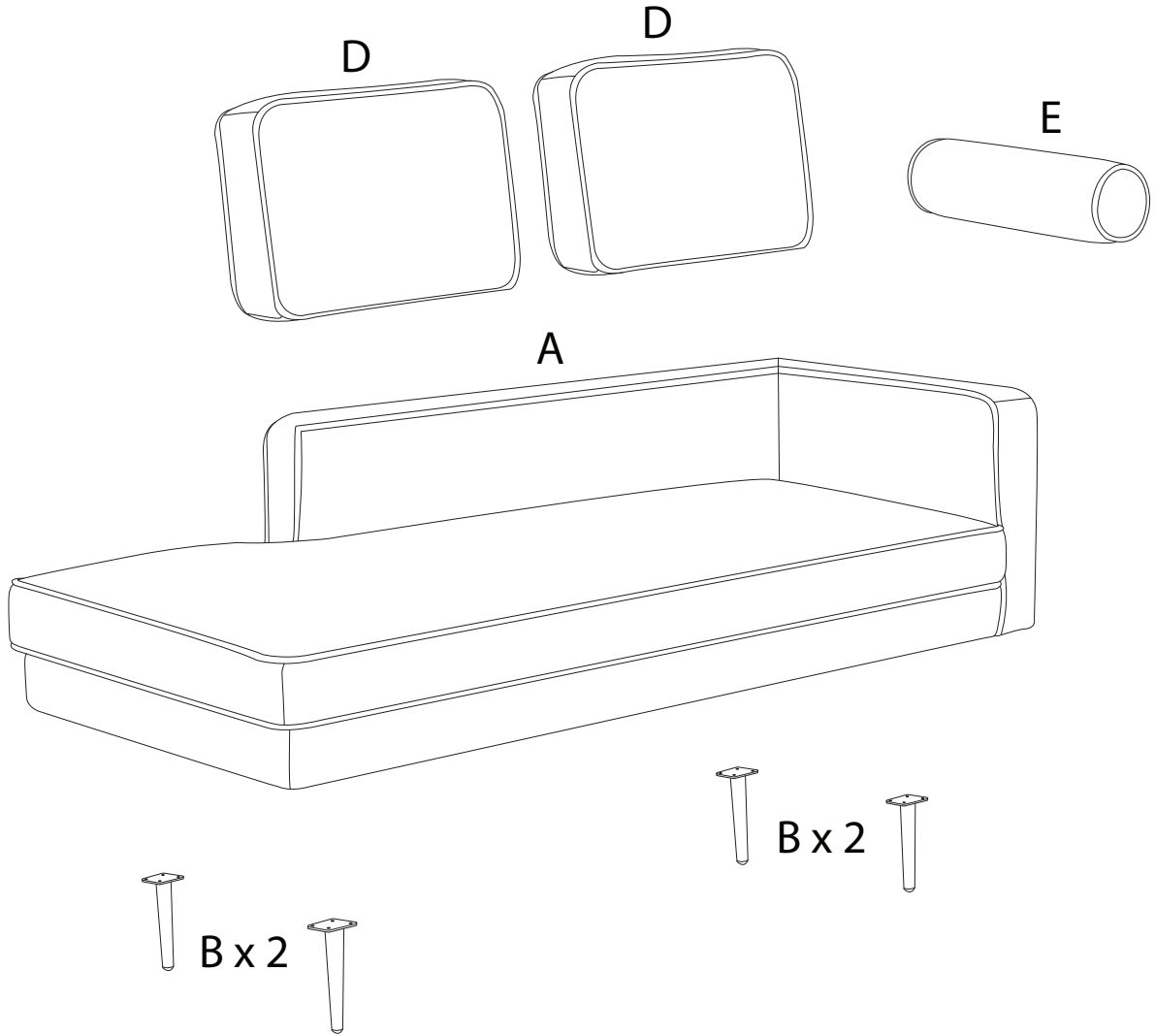
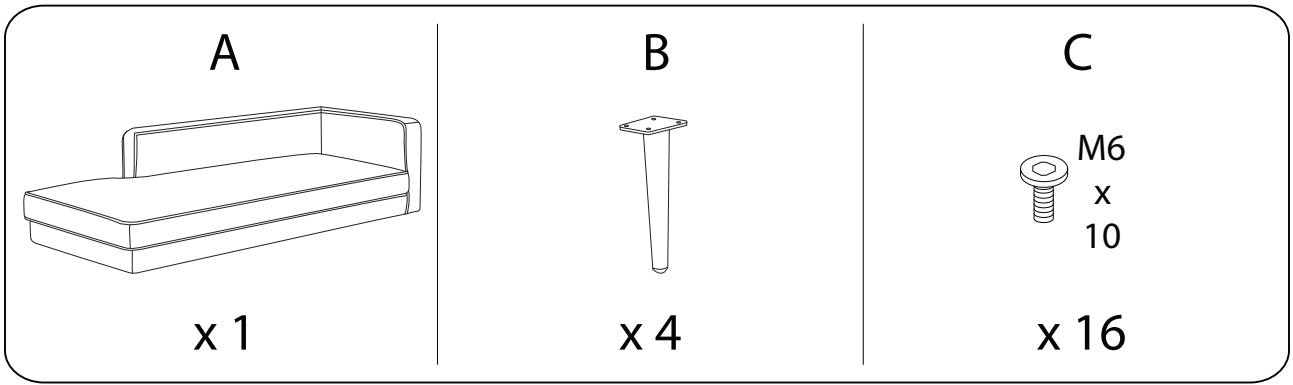
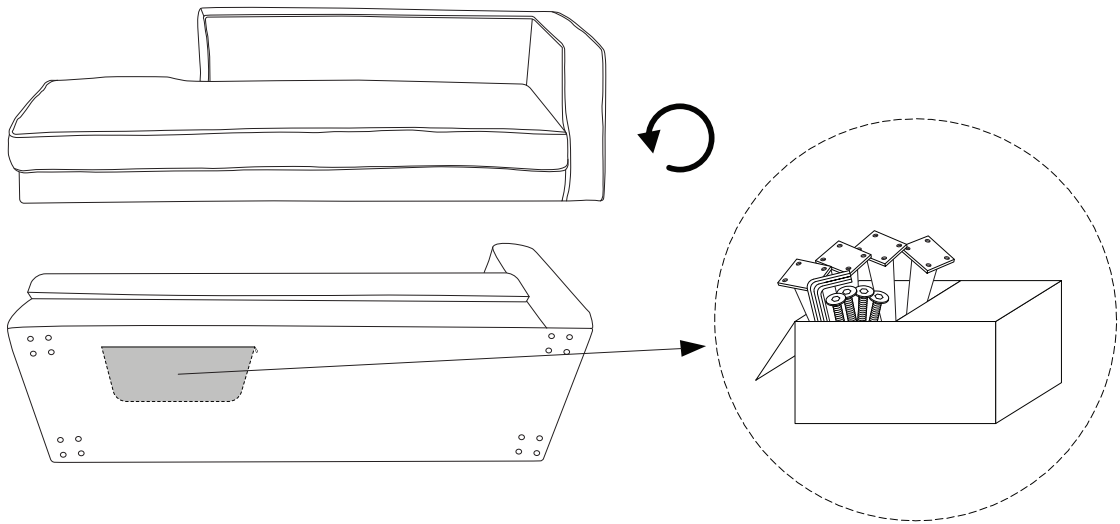
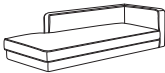



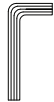

		15'
		
		1

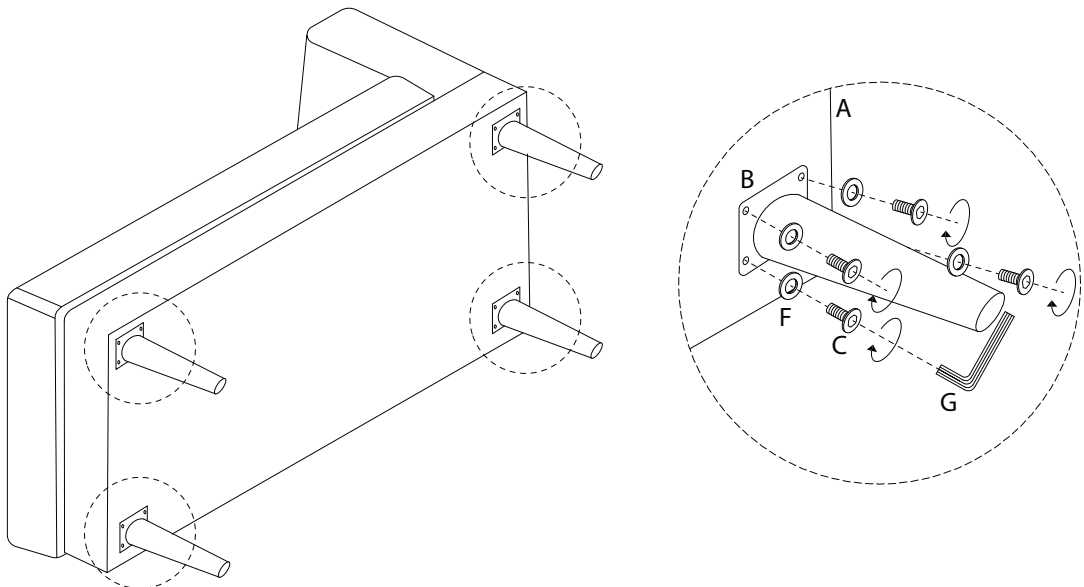


!



1

A  x 1	B  x 4	C  M6 x 10 x 16	F  x 16	G  x 1
--	--	---	---	--



2

