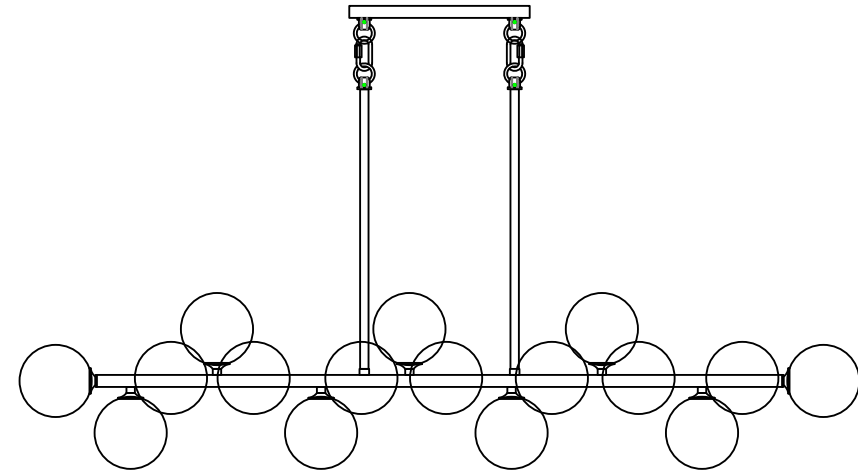
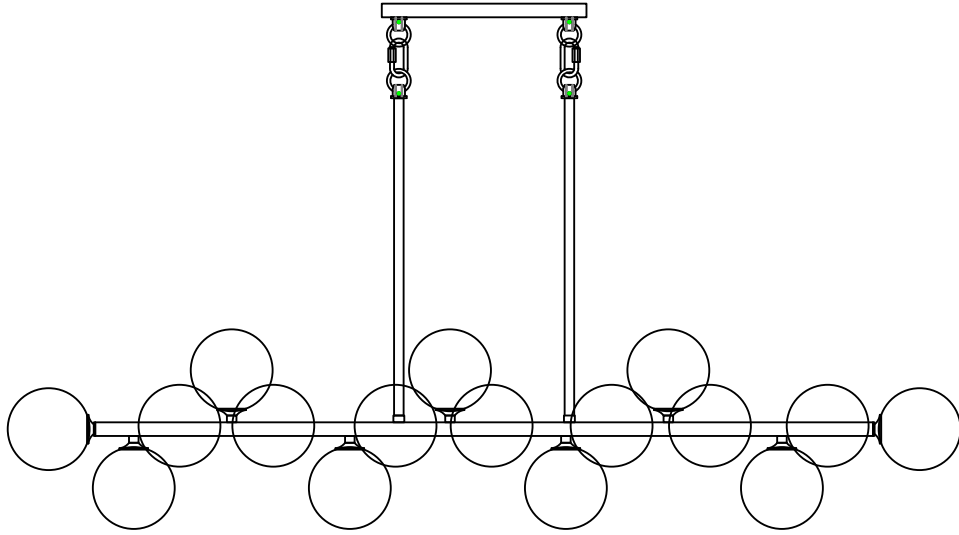


Installation Instructions



ASSEMBLY INSTRUCTIONS

To assemble this fixture, first determine the required downrod or chain length. Then, attach the mounting plate to the junction box, complete all necessary electrical connections, hang the fixture from the ceiling, and finish by installing the remaining components.

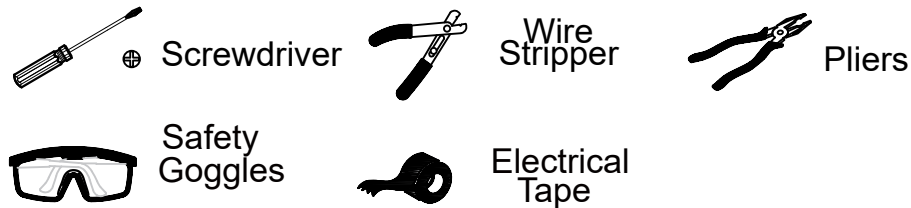
⚠ SAFETY WARNING

Before installation, read all wiring and grounding instructions carefully, along with any additional guidelines provided. Important: Turn off the power supply at the circuit breaker during installation. If new wiring is needed, consult a licensed electrician and comply with local electrical codes.

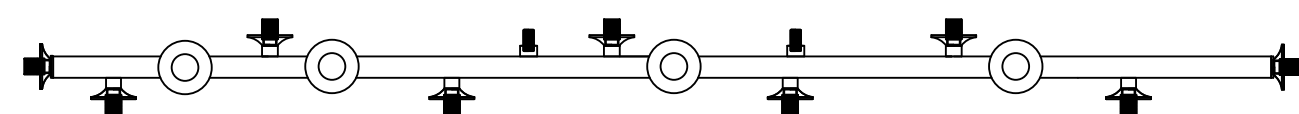
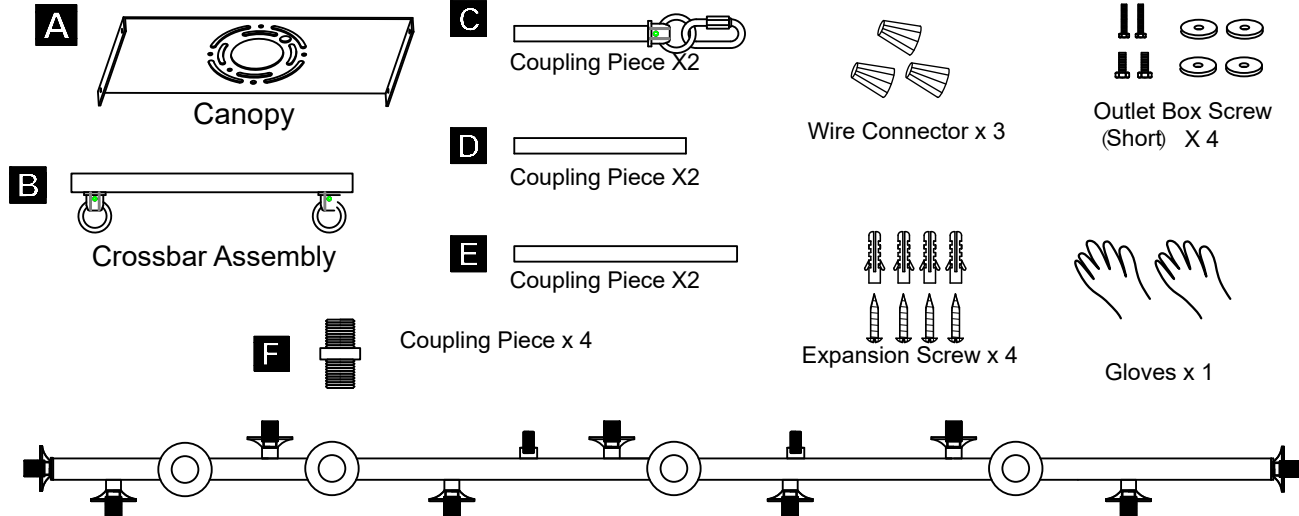
PRE-INSTALLATION

IMPORTANT: Please read all instructions thoroughly before beginning installation. To protect the finish, assemble the product on a clean, soft surface such as carpet or a padded mat.

TOOLS REQUIRED (NOT INCLUDED)

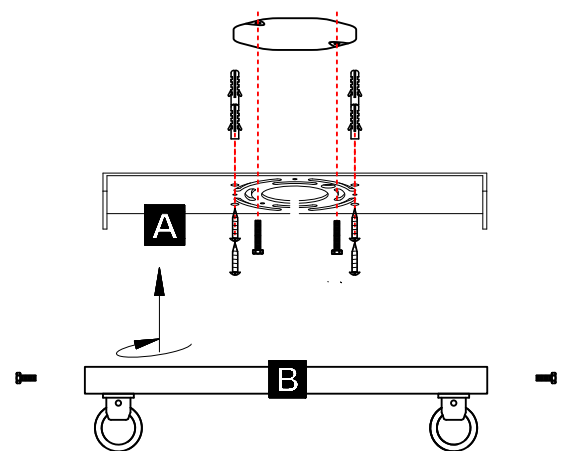


HARDWARE INCLUDED



Step 1: Install the Mounting Bracket

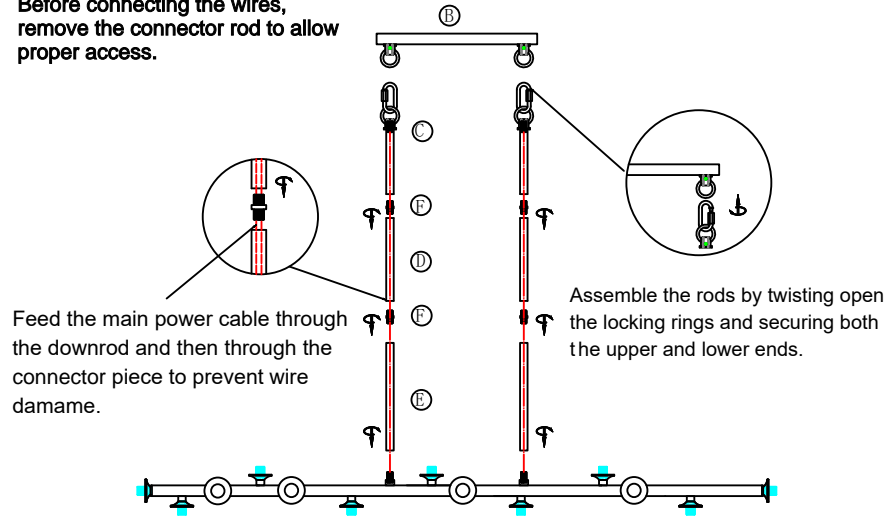
Secure the Mounting Bracket to the Junction Box



Remove the mounting bracket (A) from the ceiling canopy (B).
Position the bracket at the reserved ceiling location and fix it securely using the provided screws.
Make sure it is flush and level for stable support.

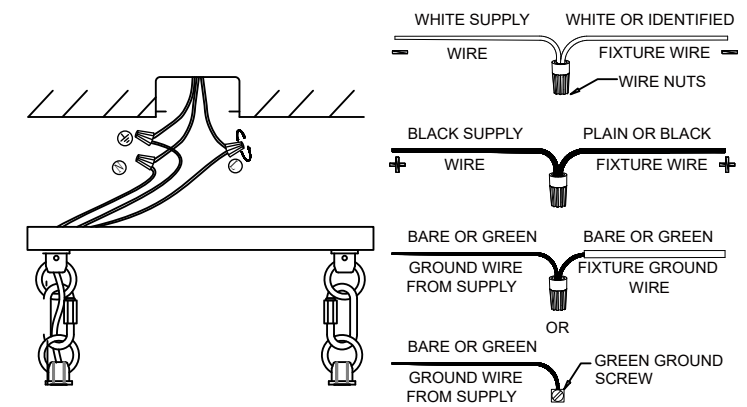
Step 2: Assemble the Downrods

Before connecting the wires, remove the connector rod to allow proper access.



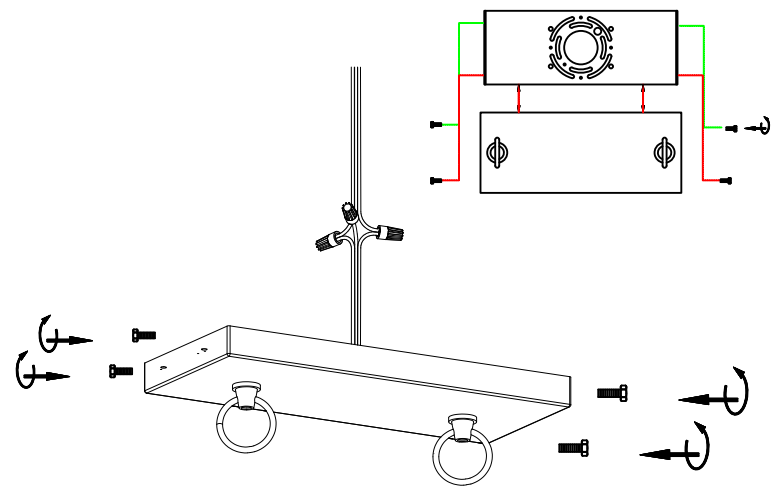
Feed the main power cable through the downrod and then through the connector piece to prevent wire damage.
Assemble the rods by twisting open the locking rings and securing both the upper and lower ends.
Adjust downrod lengths based on your desired hanging height, if applicable.

Step 3: Electrical Wiring



WARNING:
Before any wiring, switch off the main power supply and confirm with a voltage tester.

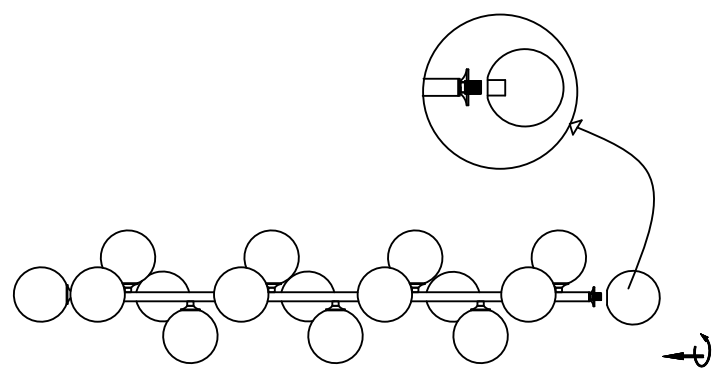
Step 4: Mount the Fixture Body



Align the fixture base with the screw holes on the mounted bracket.
Insert the screws and tighten them firmly to secure the fixture in place.

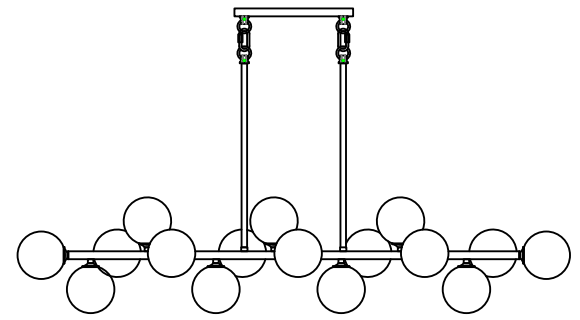
Step 5: Install G9 Bulbs

Secure the Lampshades



Insert G9 bulbs into the sockets and ensure the pins are fully inserted and seated properly.
When bulbs are in place, align and tighten the lampshades back onto the fixture securely.

Step 6: Power On & Final Check



Turn the power on and switch on the pendant light to confirm it is functioning properly.

Care & Maintenance
Clean the fixture regularly with a soft, dry cloth.
Avoid using water spray, solvents, or abrasive cleaners, as these may damage the finish.