

**Installation notes:**

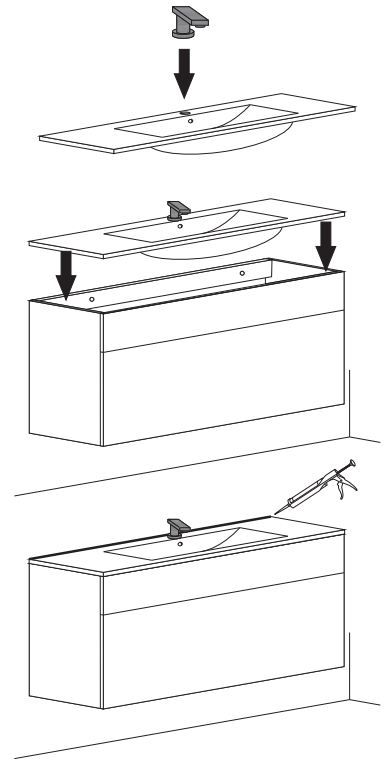
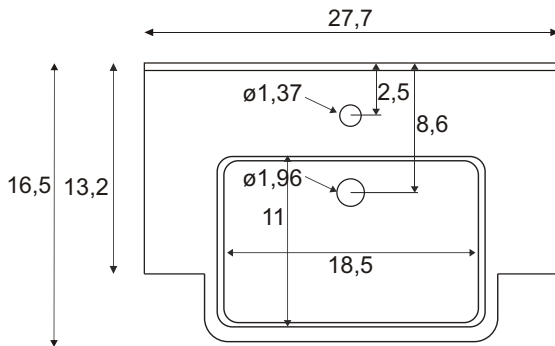
Faucet and silicone are not included.  
All sizes are subject to tolerance.

**Sink assembly**

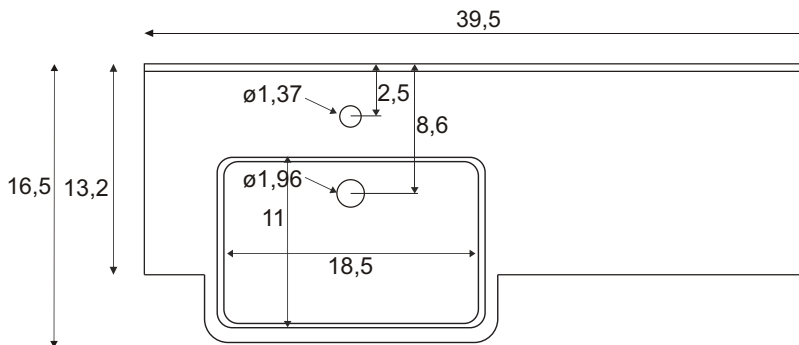
Install the faucet to the top and drains to the sink. Refer to the faucet and drain manufacturer's instructions.  
Complete the faucet connections. Run water and check for leaks.  
Apply a bead of silicone behind the top surface to the finished wall.

**RESIN BASIN**

Top view of sink

**RESIN BASIN**

Top view of sink

**RESIN BASIN**

Top view of sink

