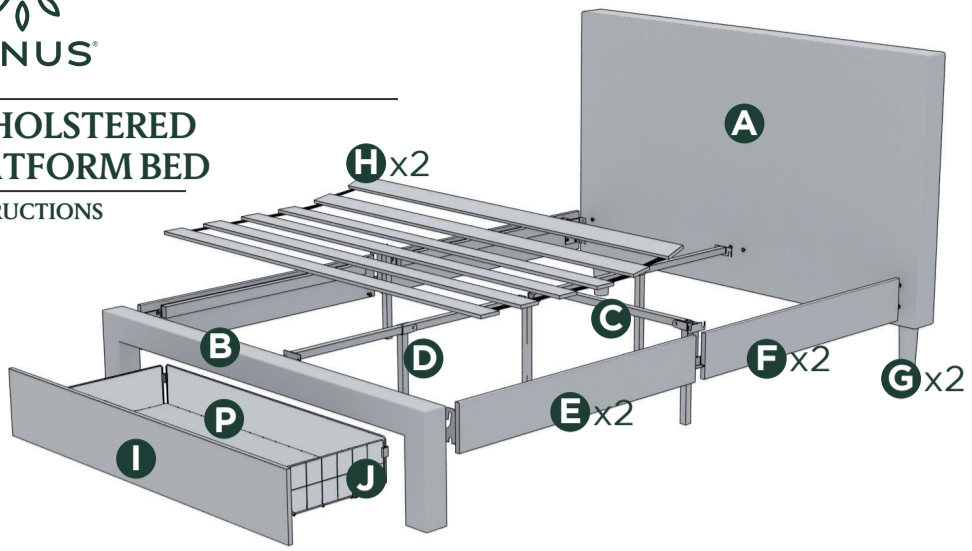




ZINUS

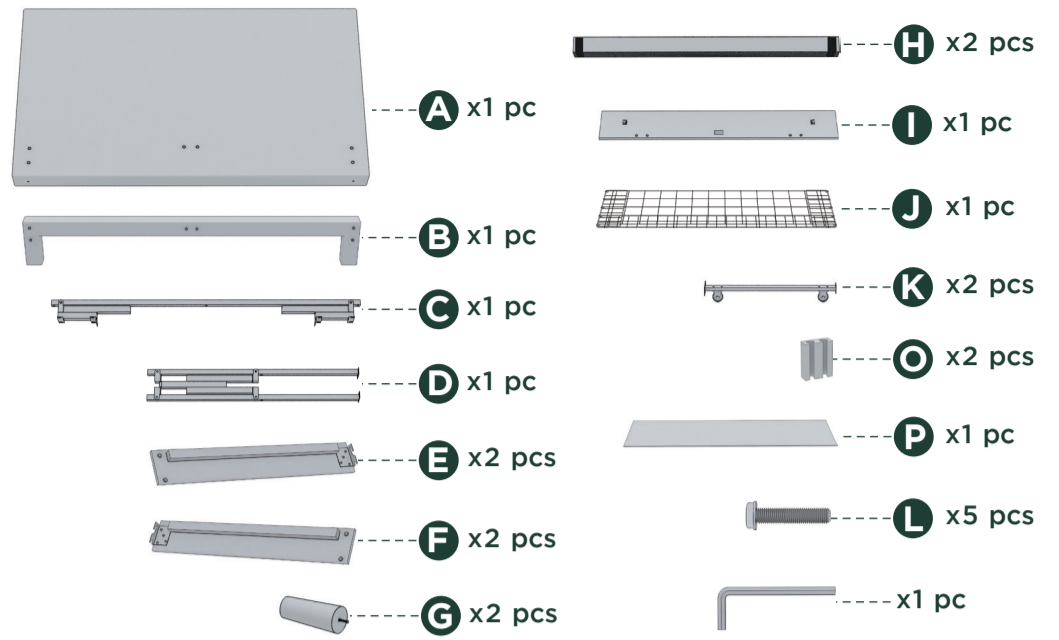
UPHOLSTERED PLATFORM BED

INSTRUCTIONS

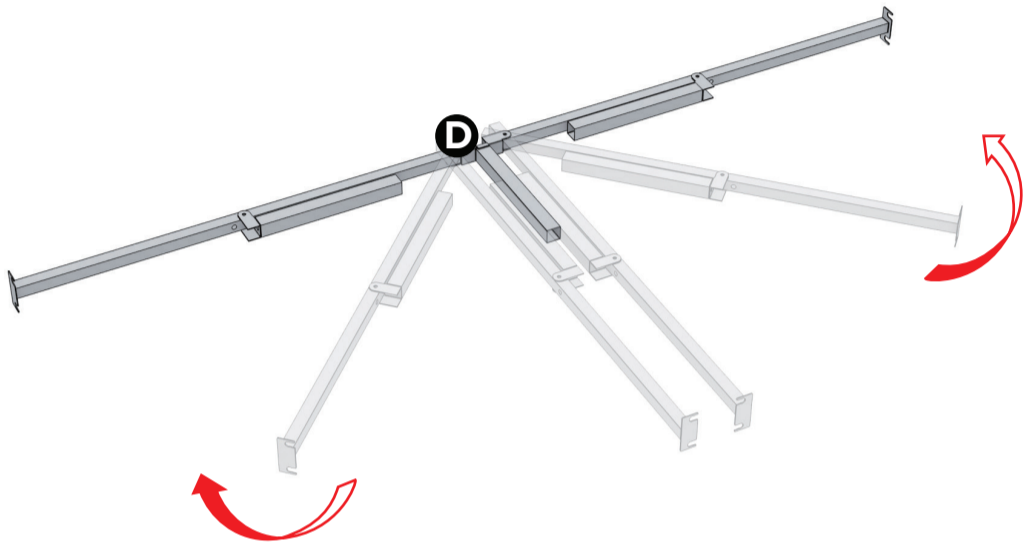


Please be sure to register your product at www.zinus.com/resources/register to receive up to date warranty and product information.

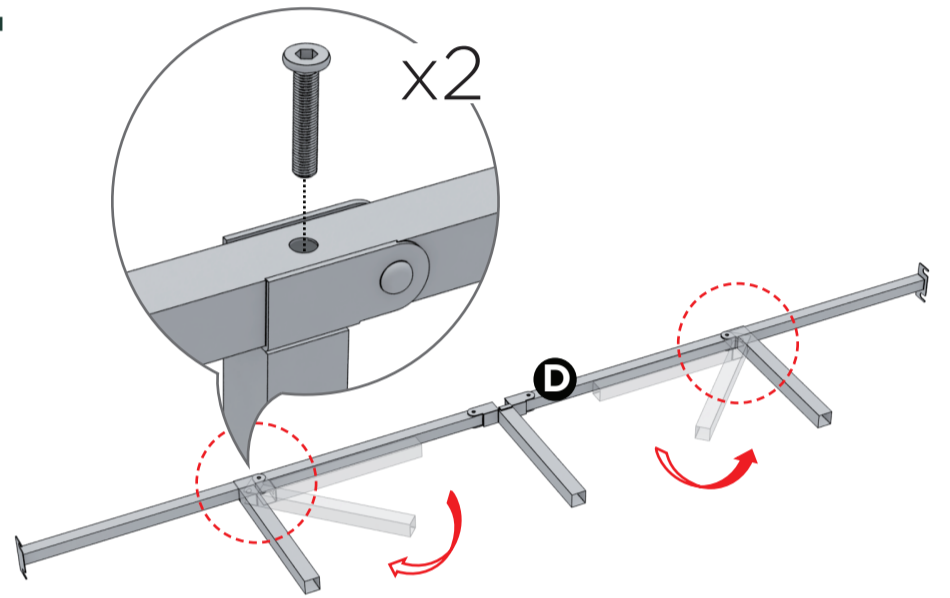
Components



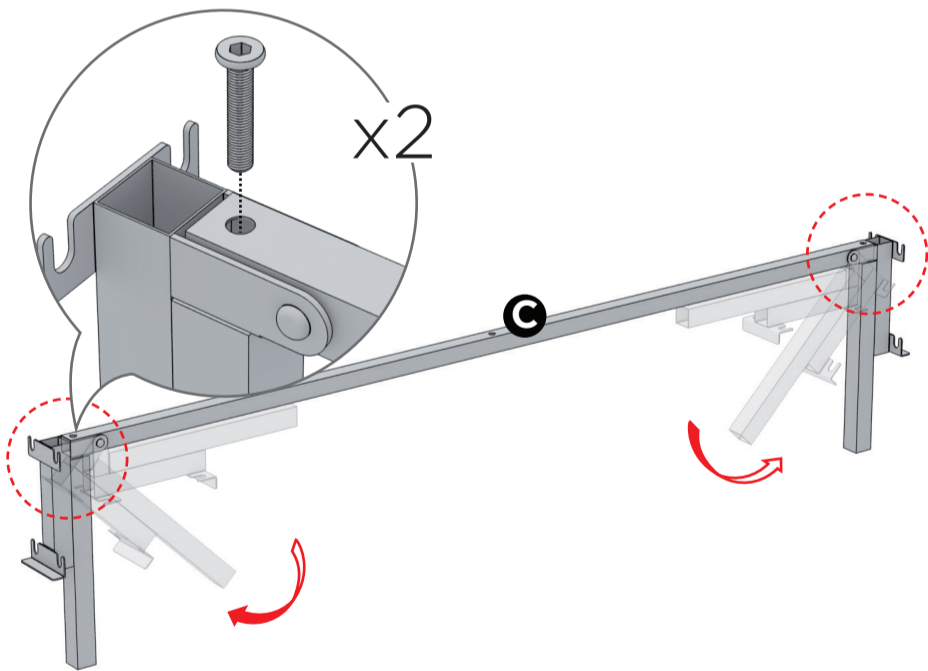
1



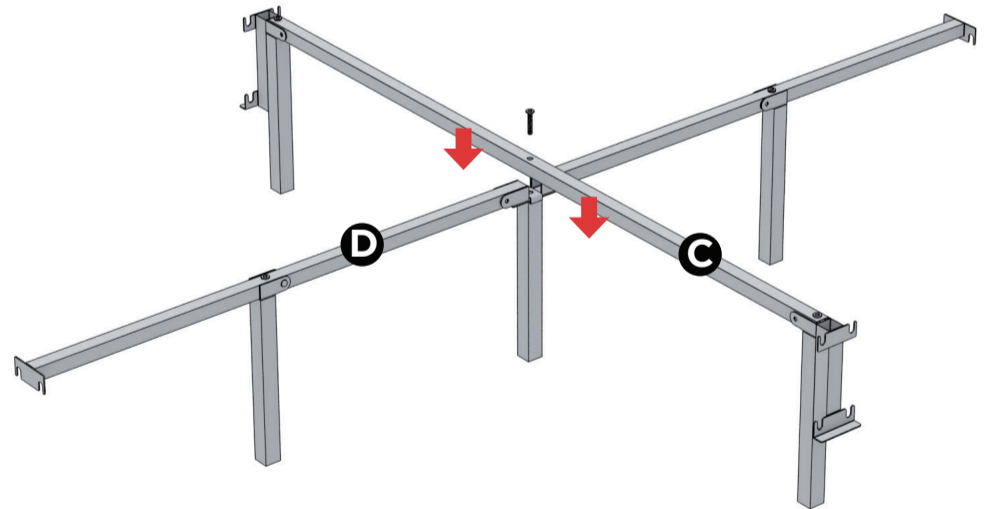
2



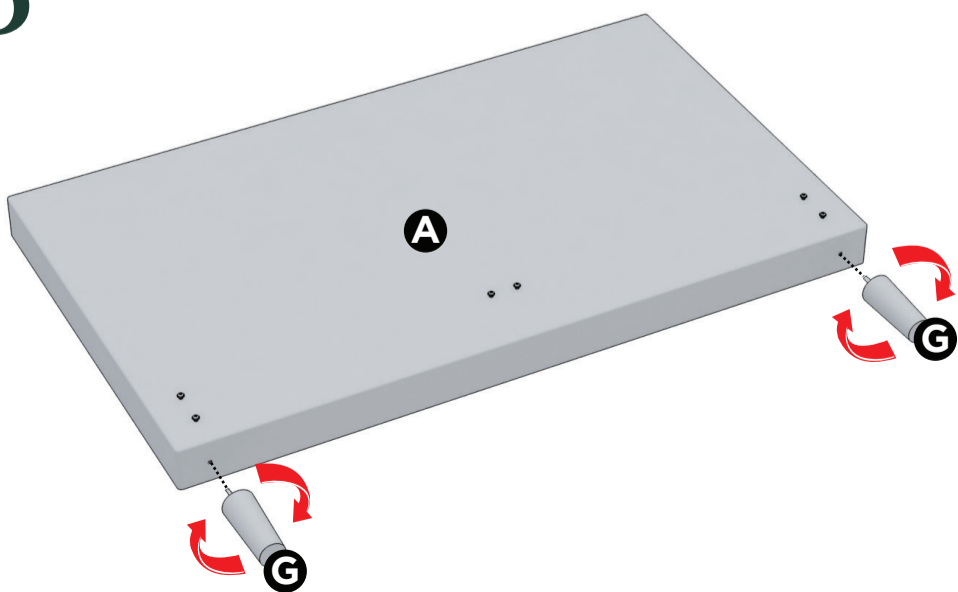
3



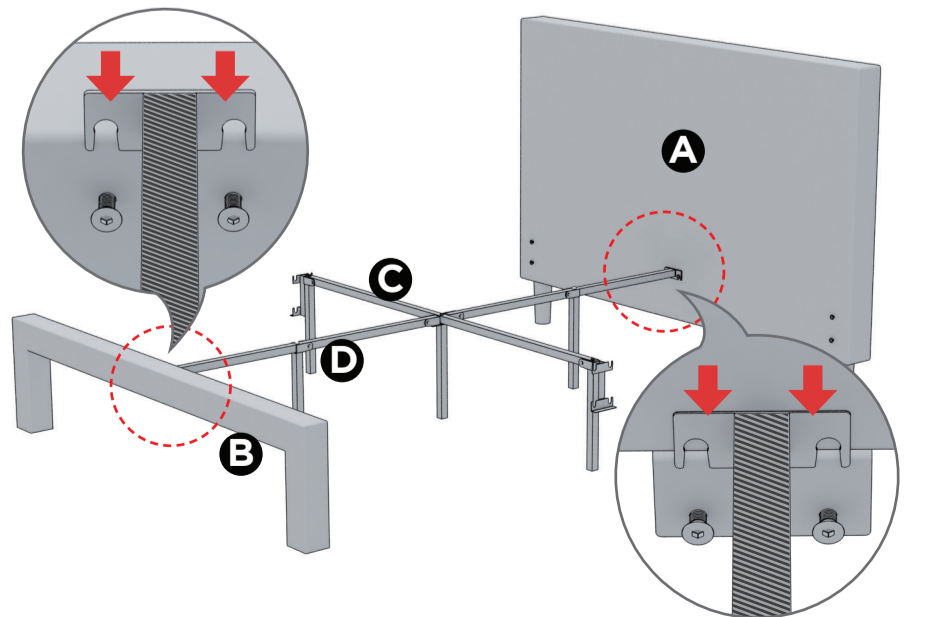
4



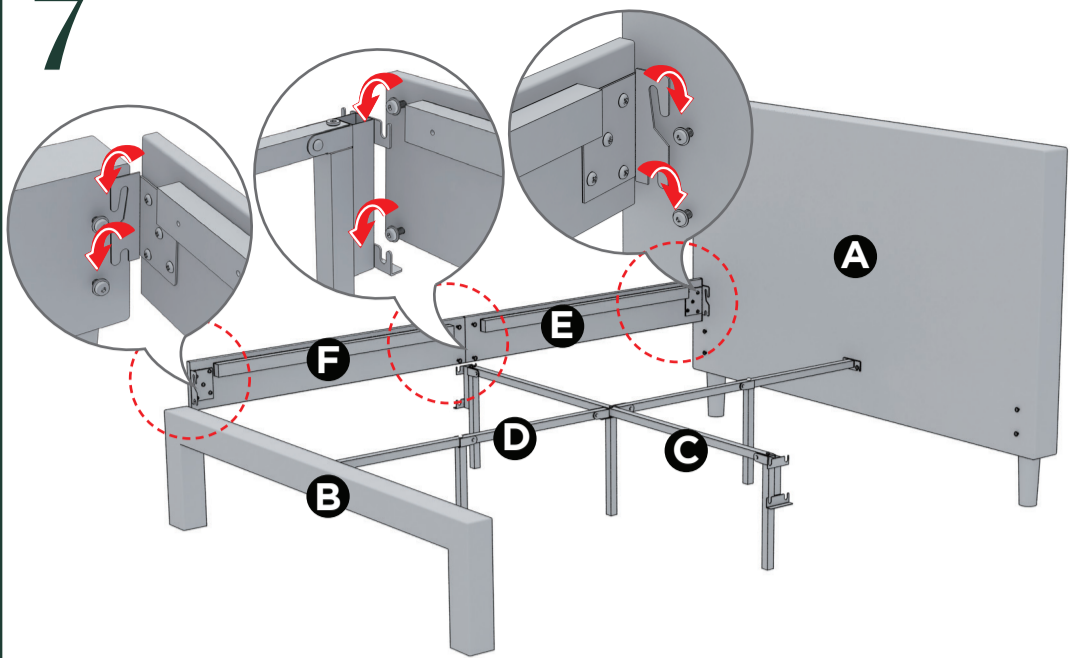
5



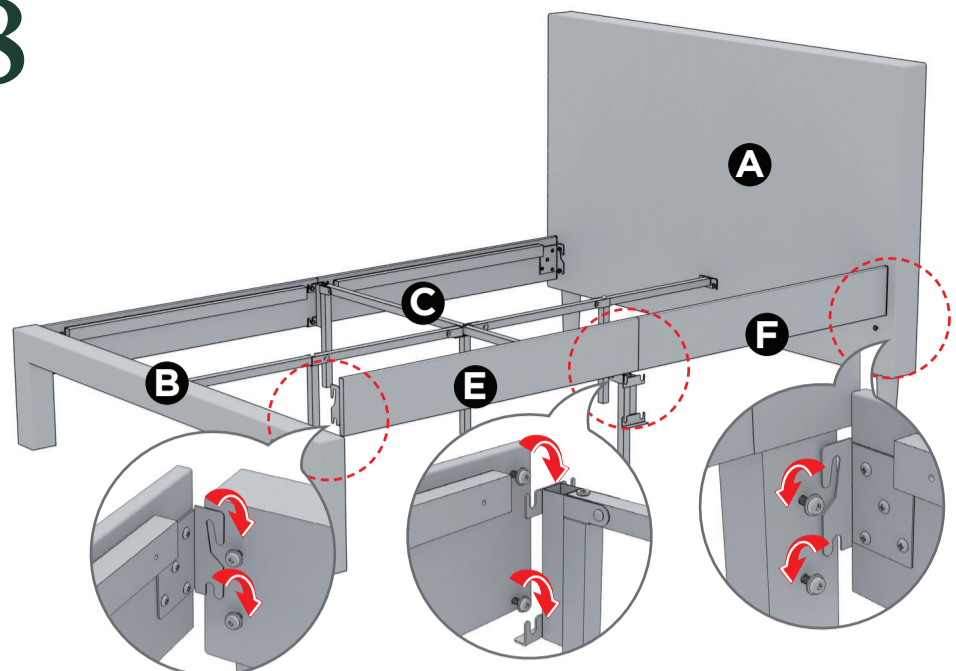
6



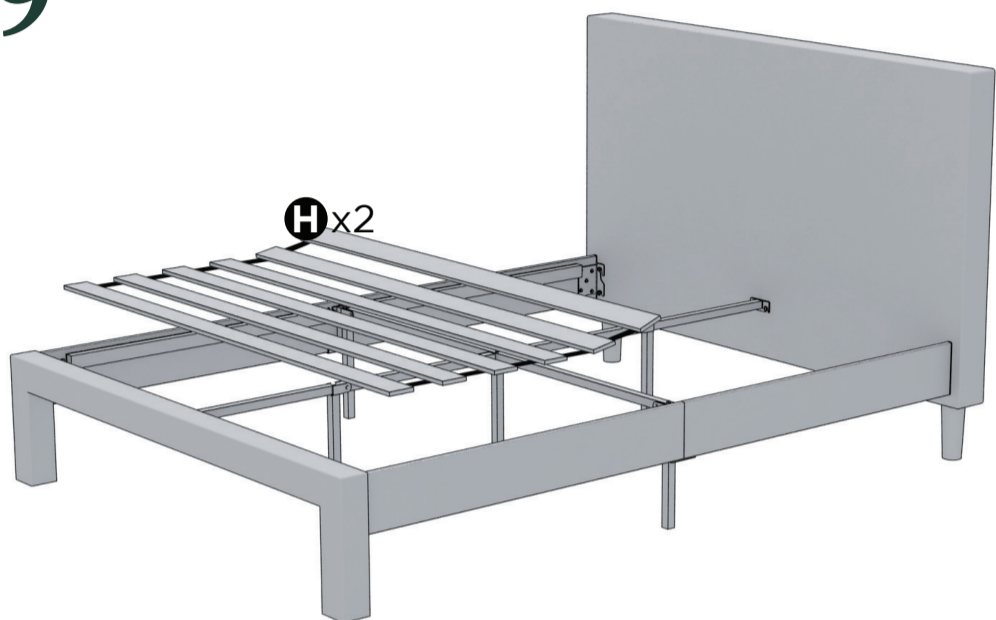
7



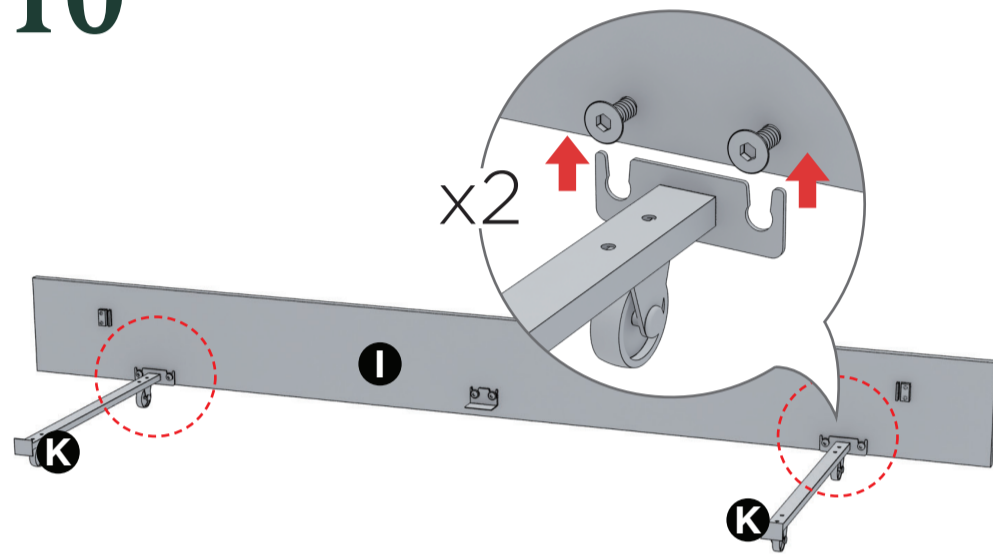
8



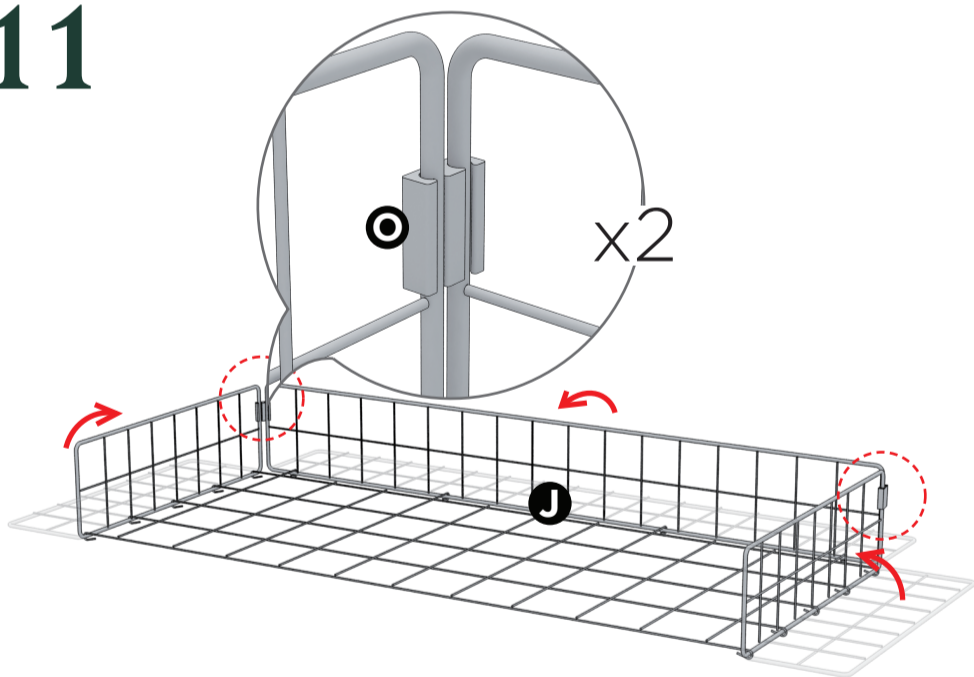
9



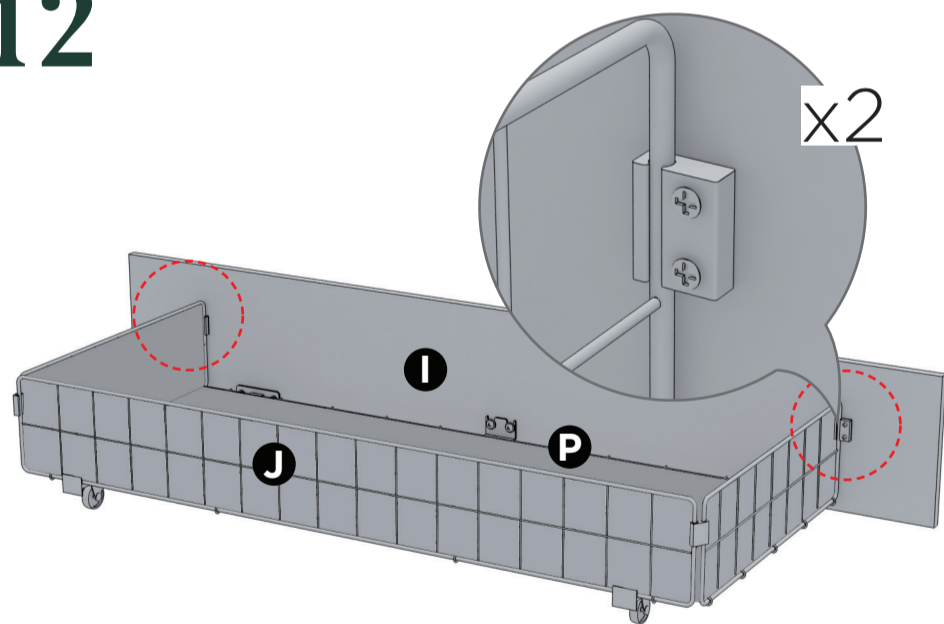
10



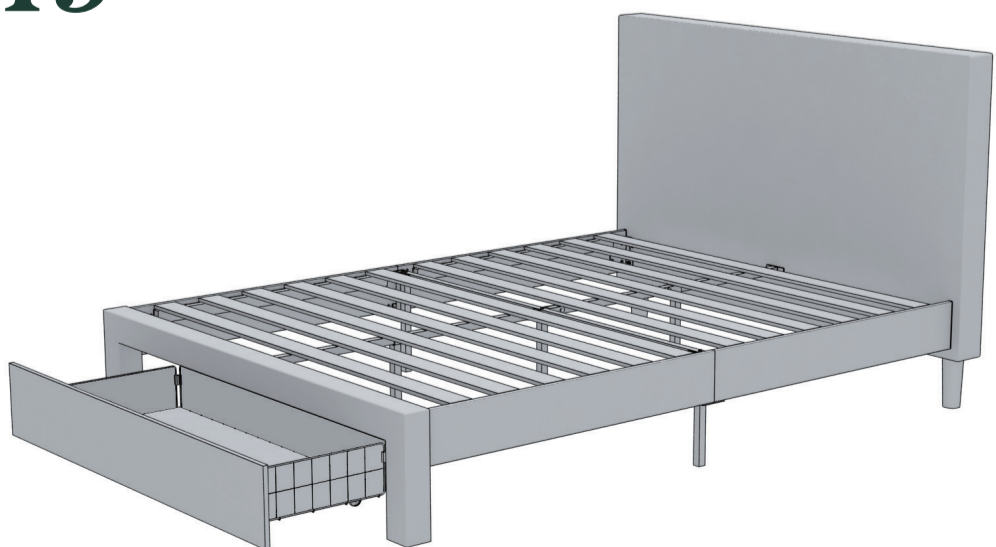
11



12



13



14

