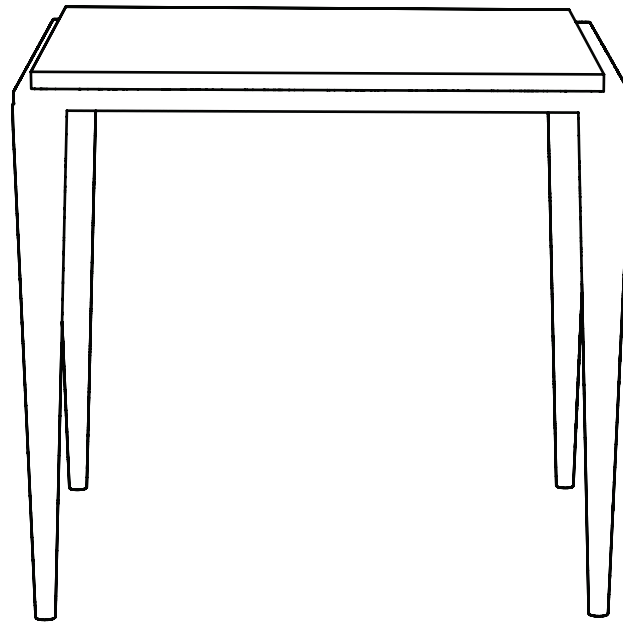

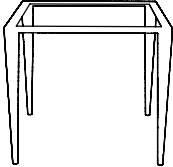


Assembly Instructions



THANK YOU FOR YOUR PURCHASE!

Parts and Hardware

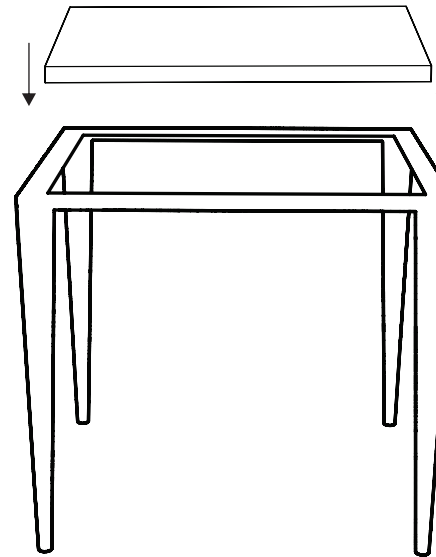
No.	DESCRIPTION	IMAGE	QTY
P1	GLASS TOP		1
P2	METAL BASE		3

Notes

Thank you for purchasing this quality product!
Be sure to check all packing material carefully
for small parts that may have come loose inside
the carton during shipping.

CAUTION : The item is heavy, assembly
should be performed by two people.

Step 1.



Step 2.

