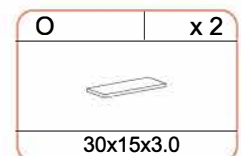
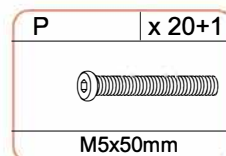
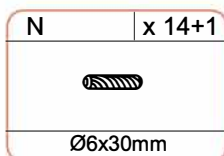
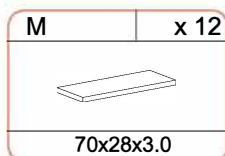
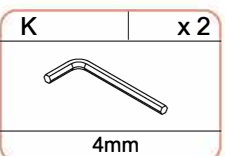
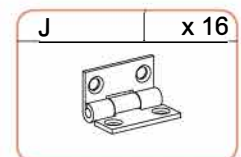
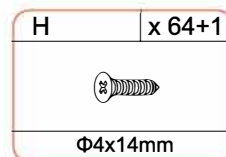
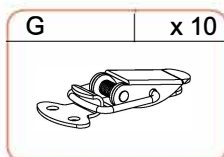
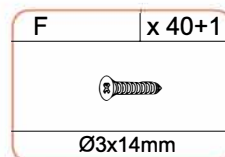
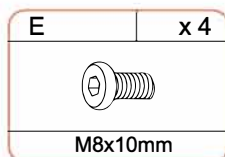
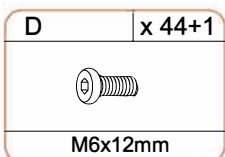
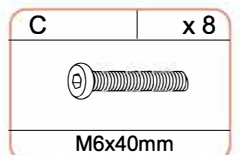
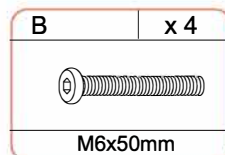
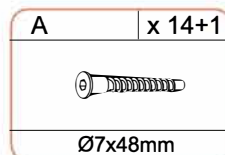
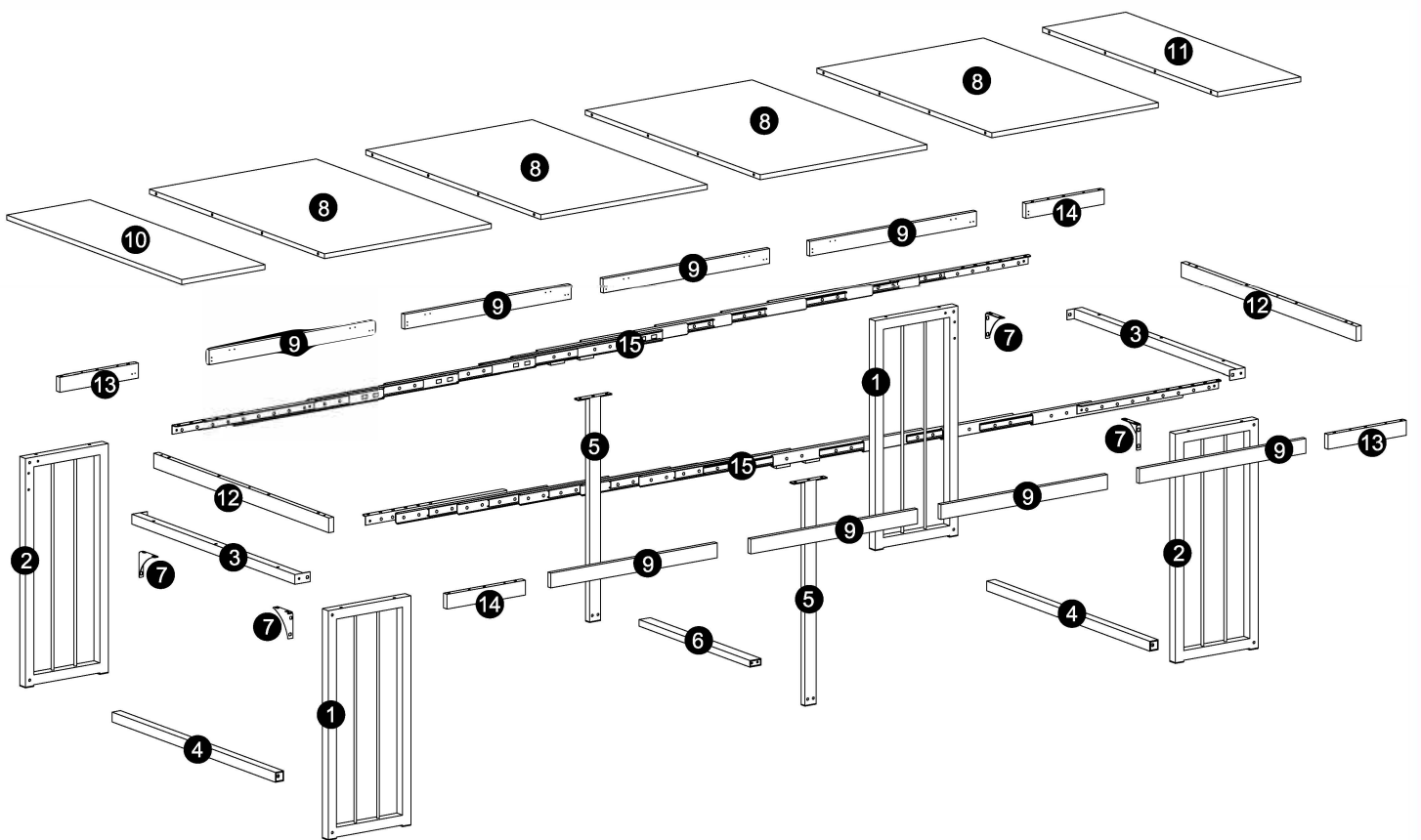
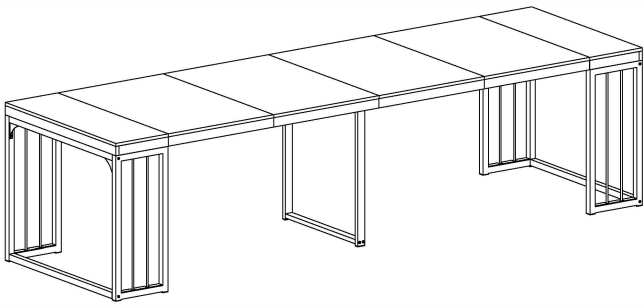
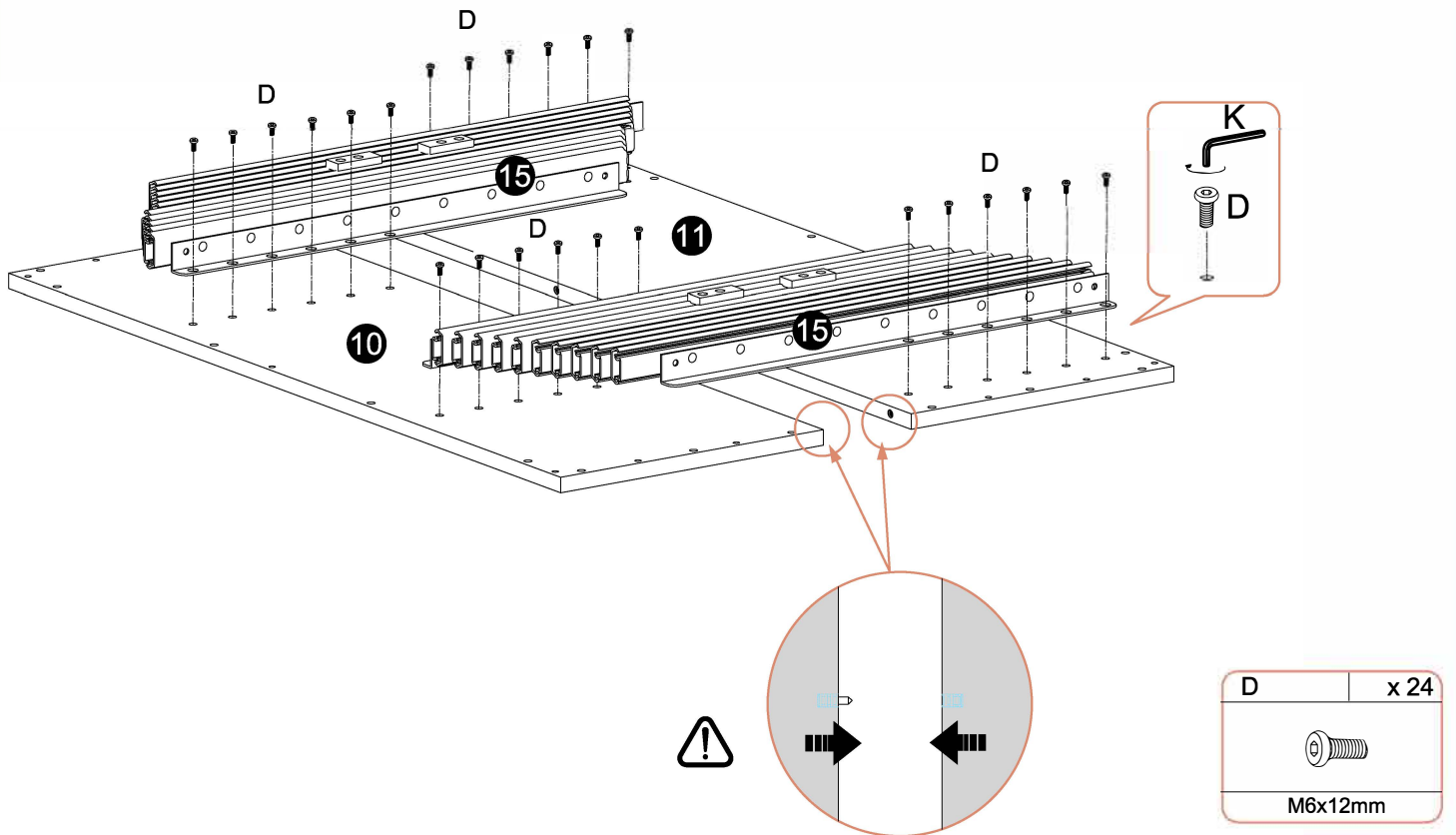


ASSEMBLY INSTRUCTION

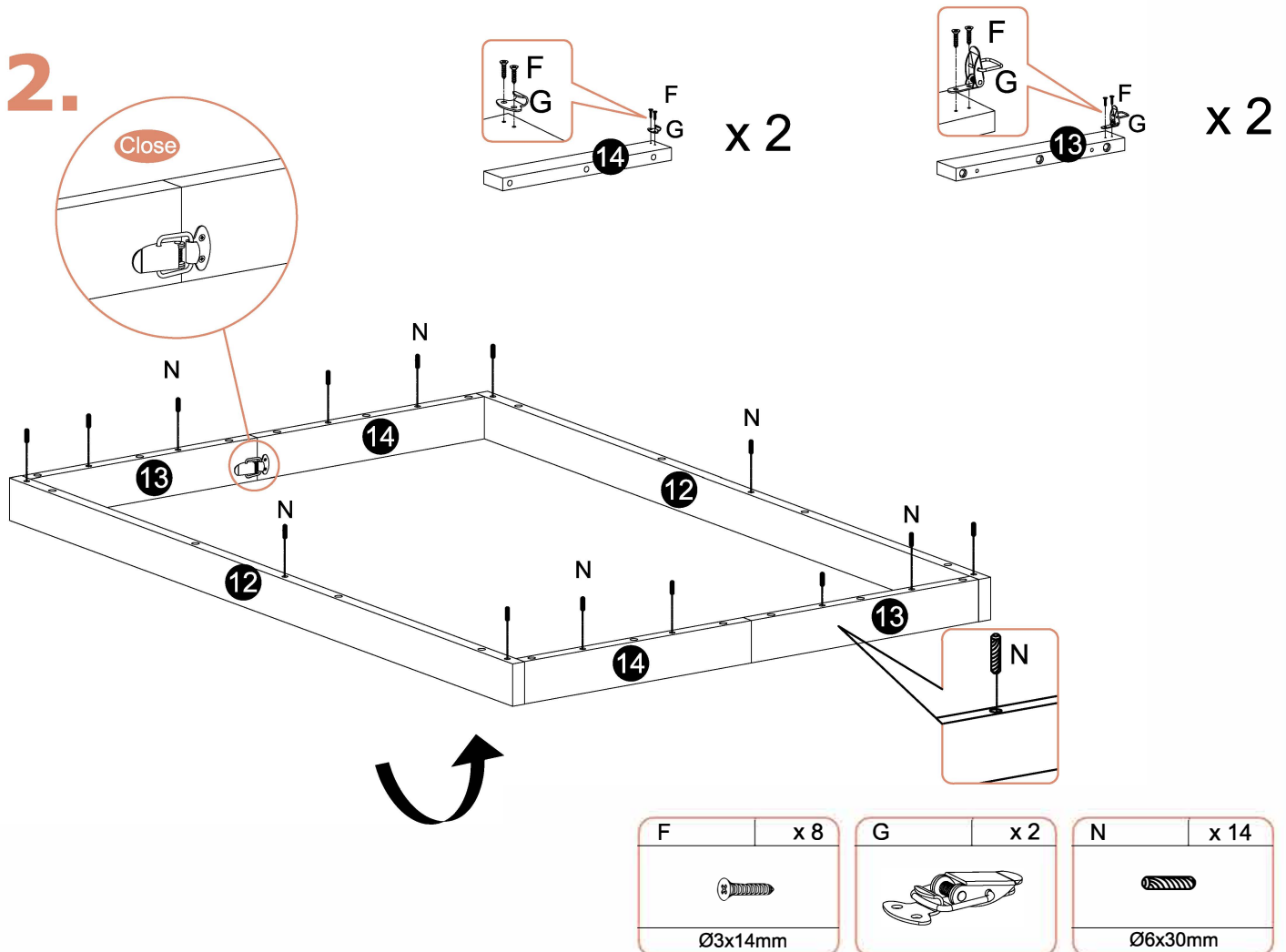


1.

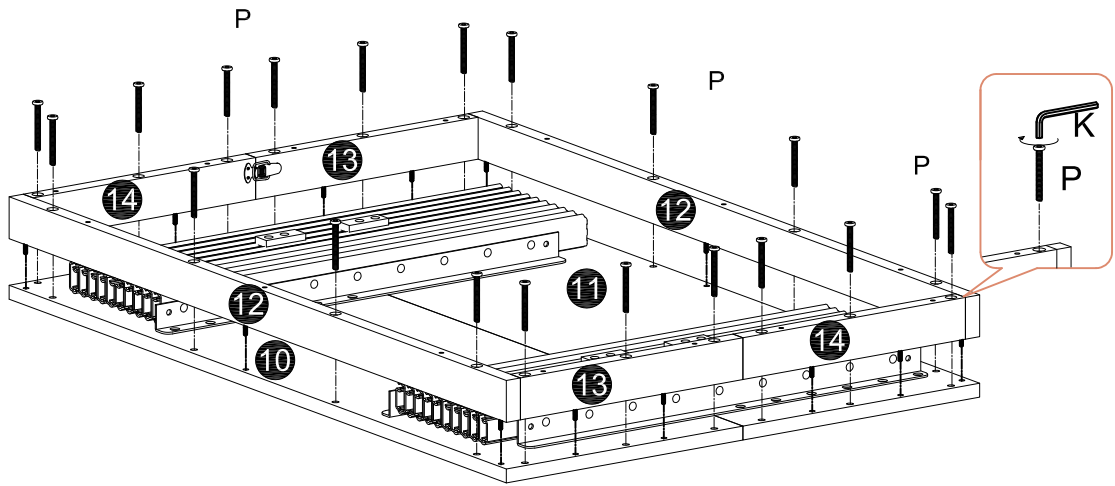
When locking sliding rail, ensure there is no gap between panel #10 and #11.




2.

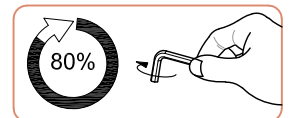
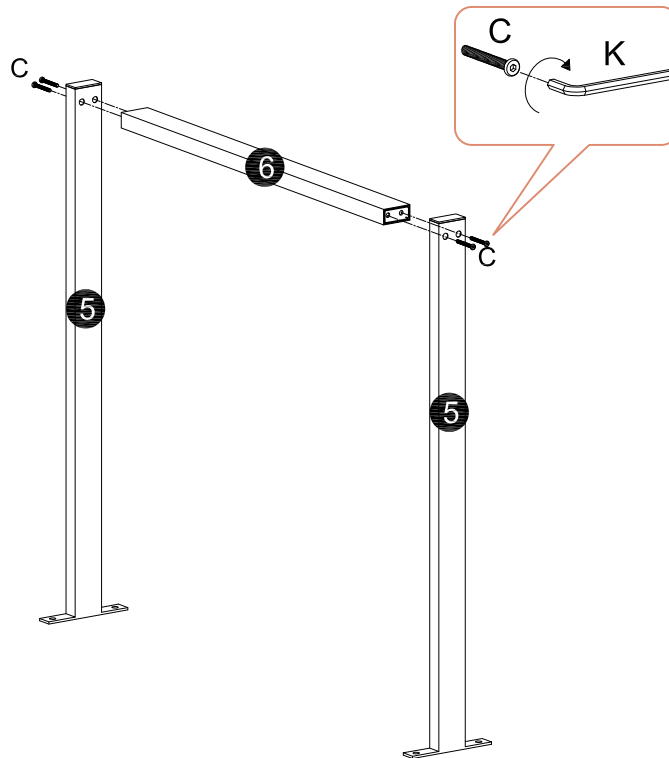



3.



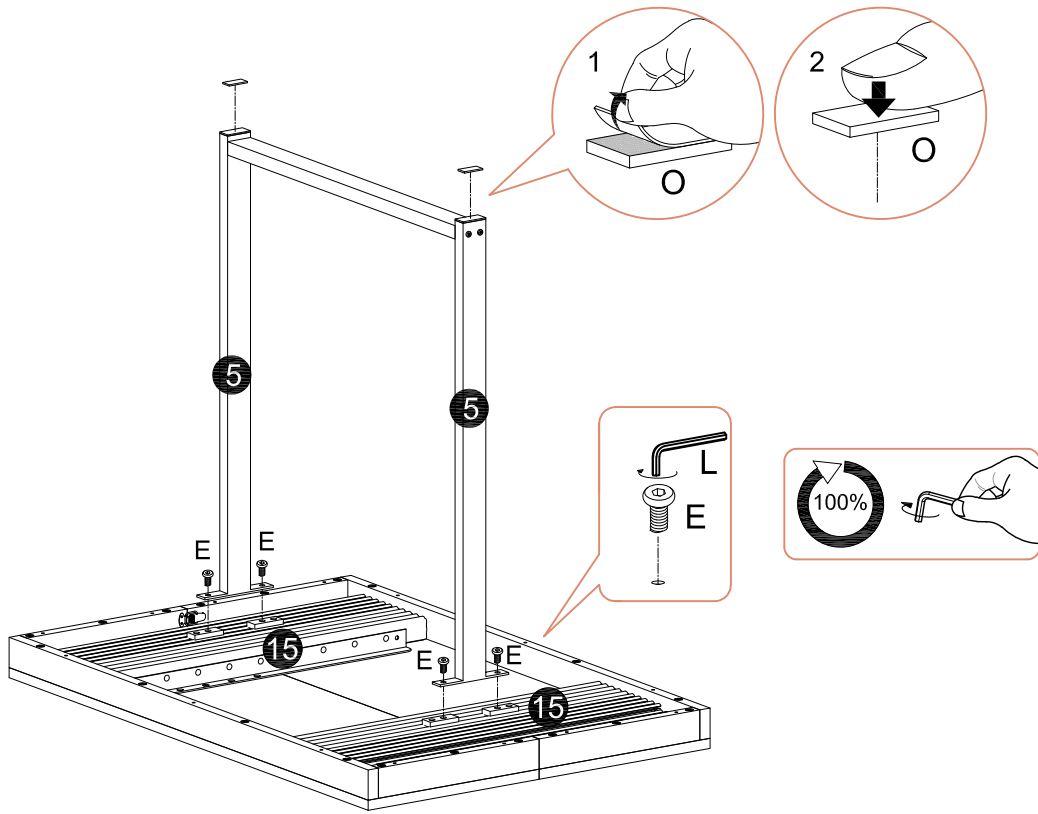
P	x 20
	
M5x50mm	



4.



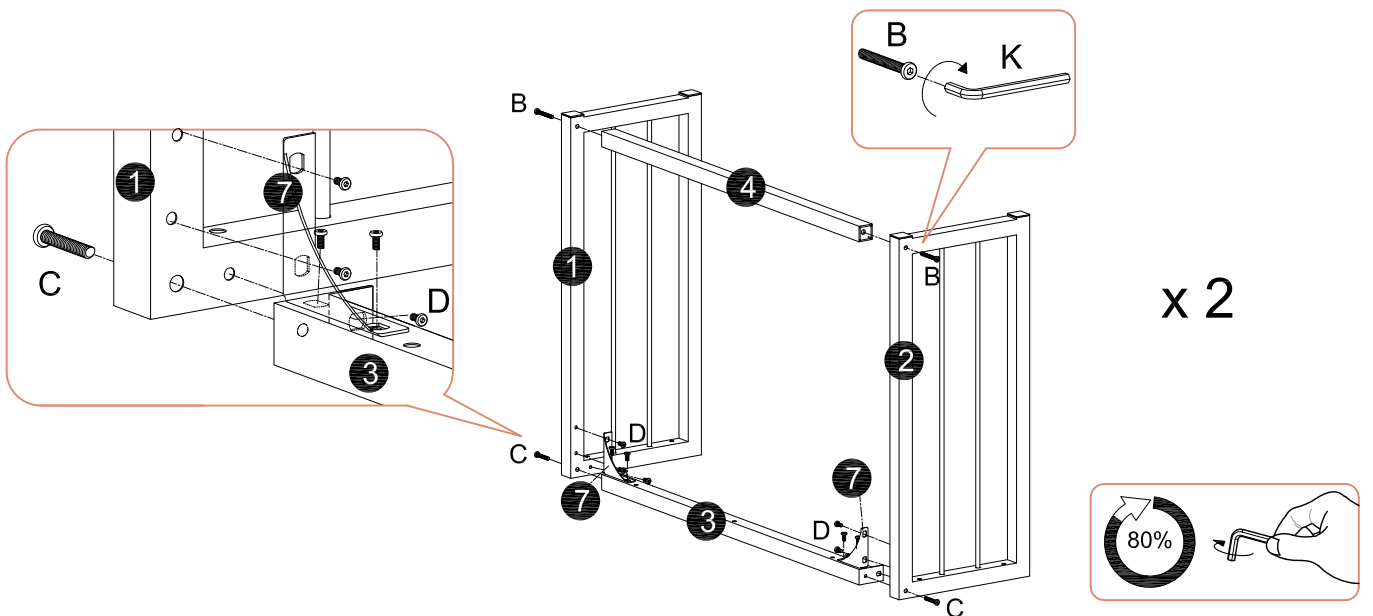
C	x 4
	
M6x40mm	


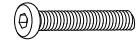

5.



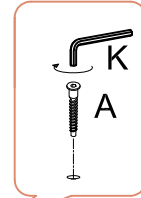
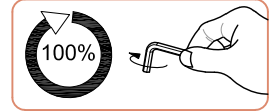
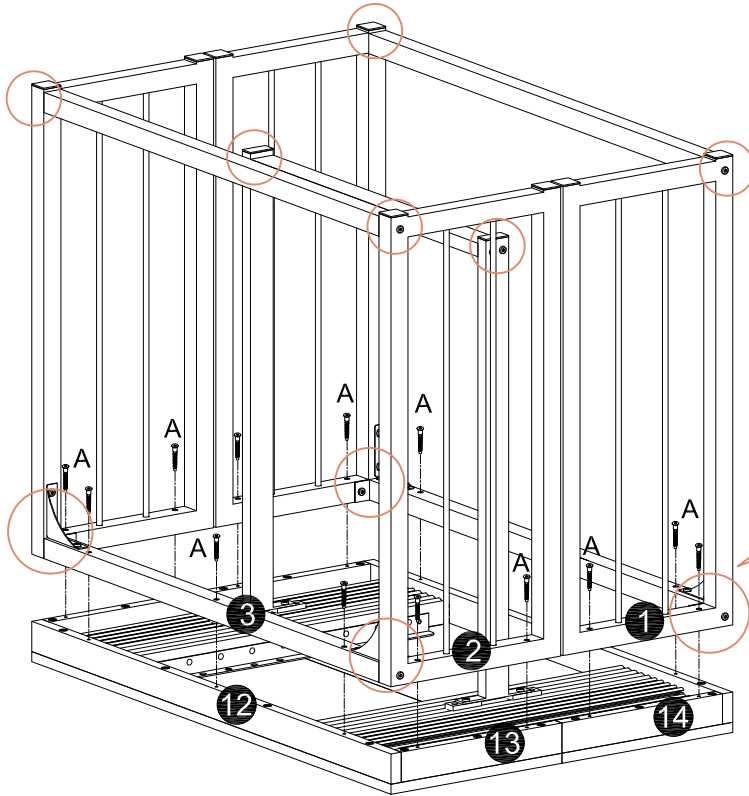
E	x 4	O	x 2
			
M8x10mm		30x15x3.0	

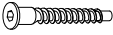
6.



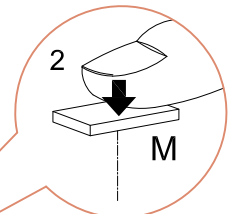
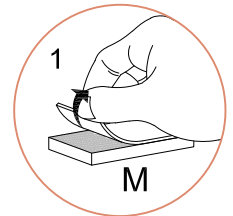
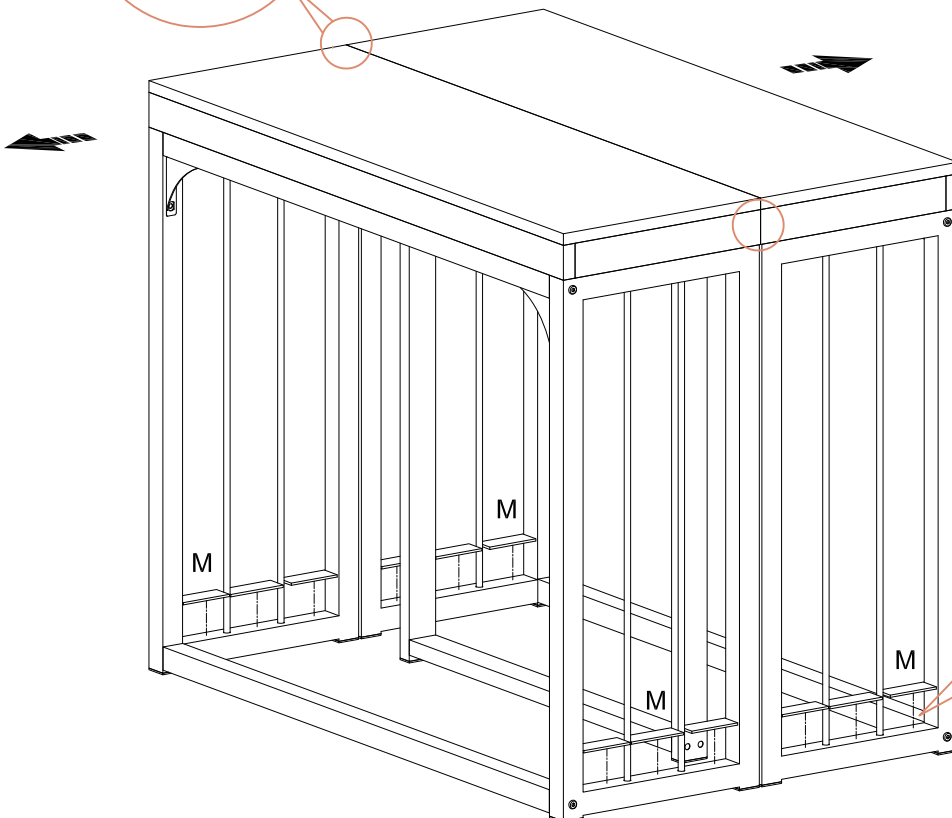
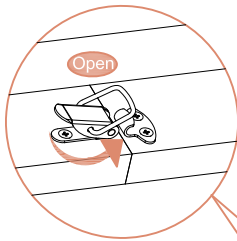
B	x 4	C	x 4	D	x 20
					
M6x50mm		M6x40mm		M6x12mm	


7.



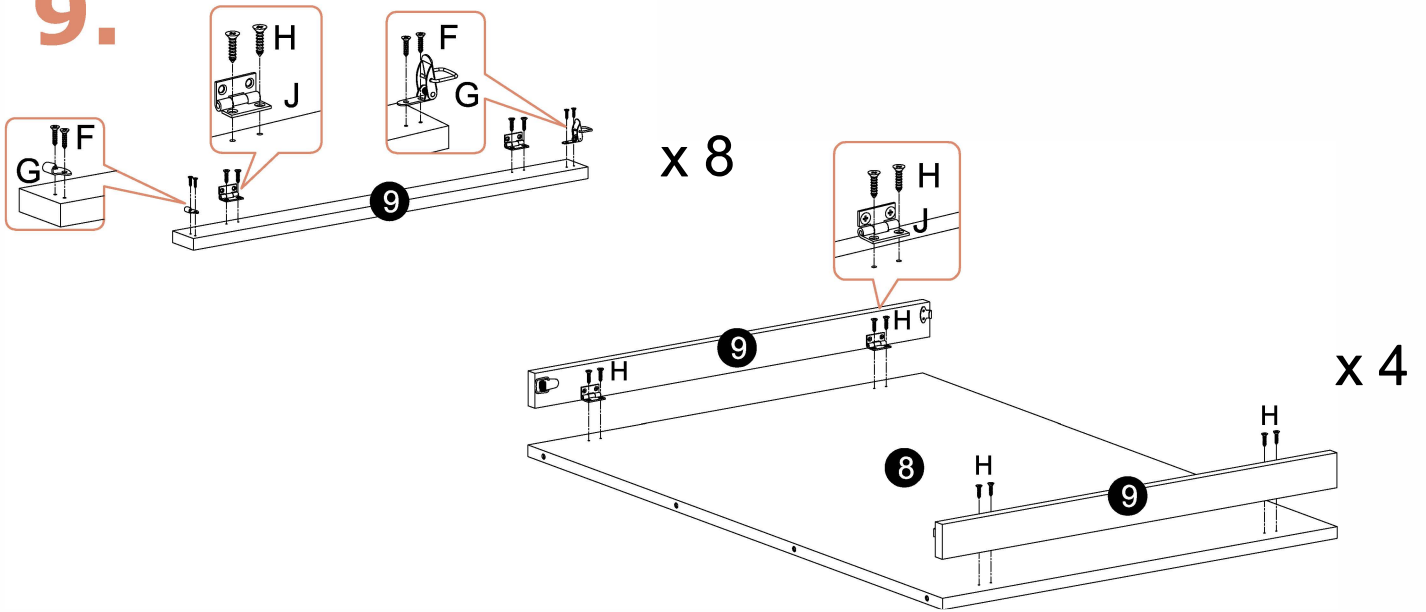
A	x 14
	
Ø7x48mm	





8.



M	x 12
	
70x28x3.0	

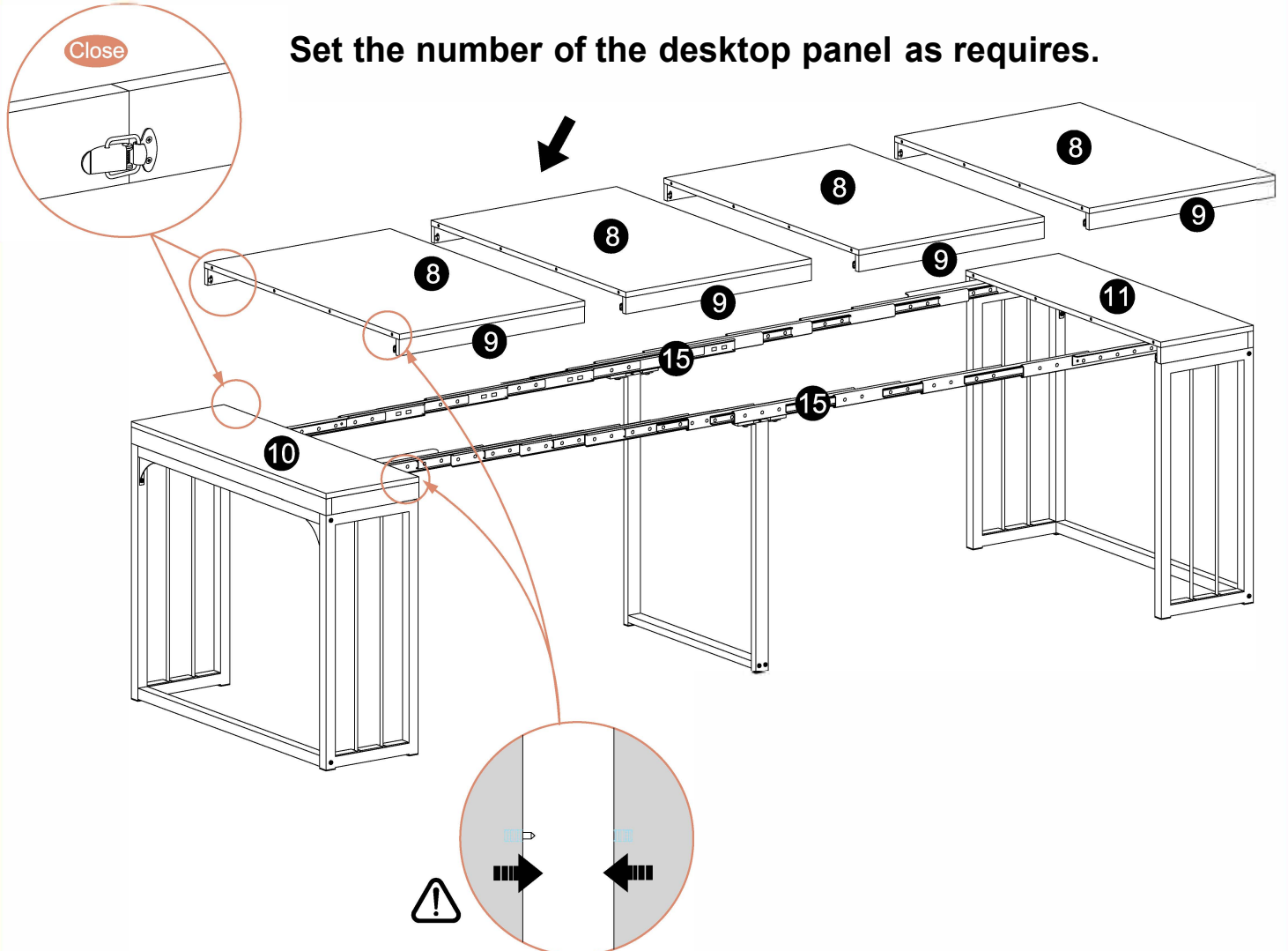
9.



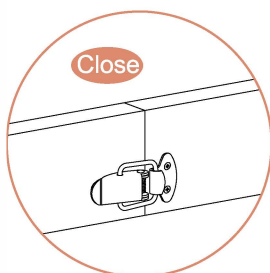
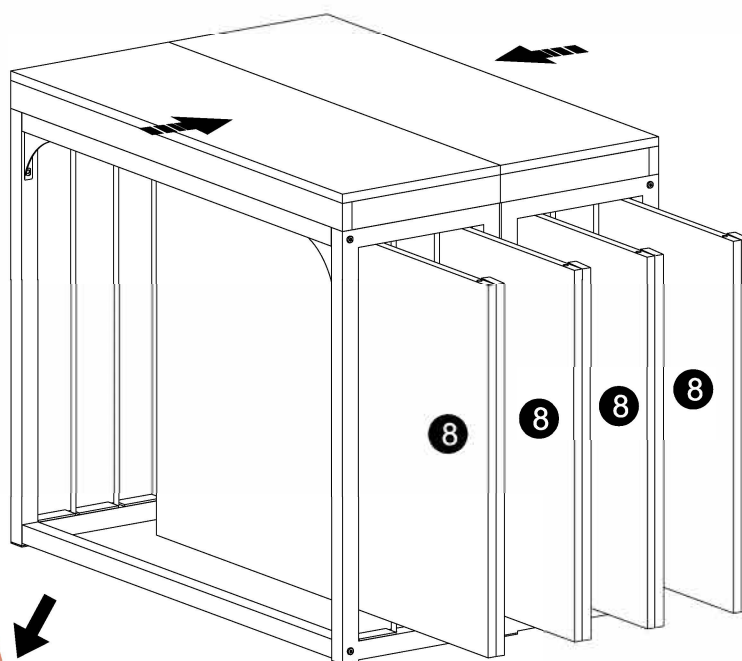
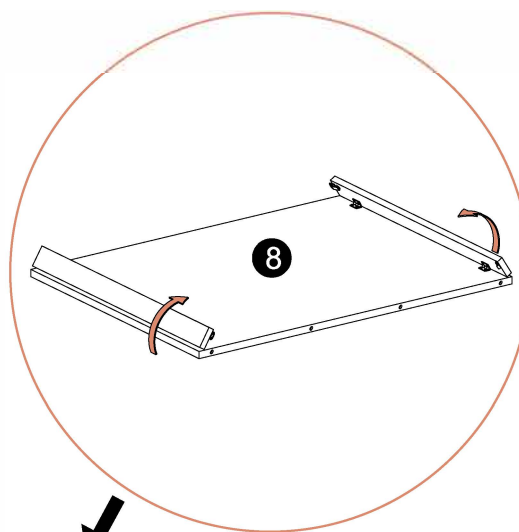
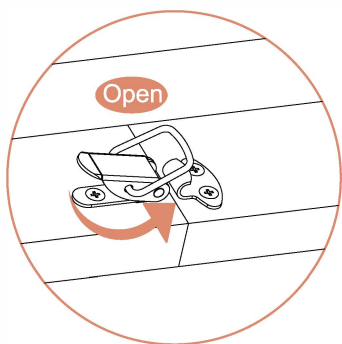
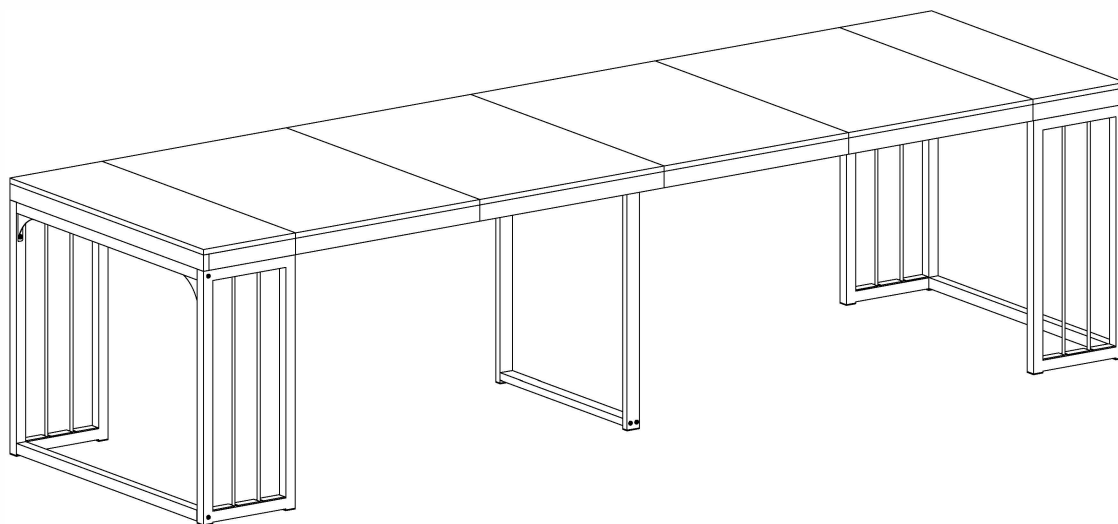
F	x 32	G	x 8	H	x 64	J	x 16
							
Ø3x14mm				Φ4x14mm			

10.

Set the number of the desktop panel as requires.



11.



**Please notice the drop risk of the idle desktop panels.
Handle with care when using.**

12.

