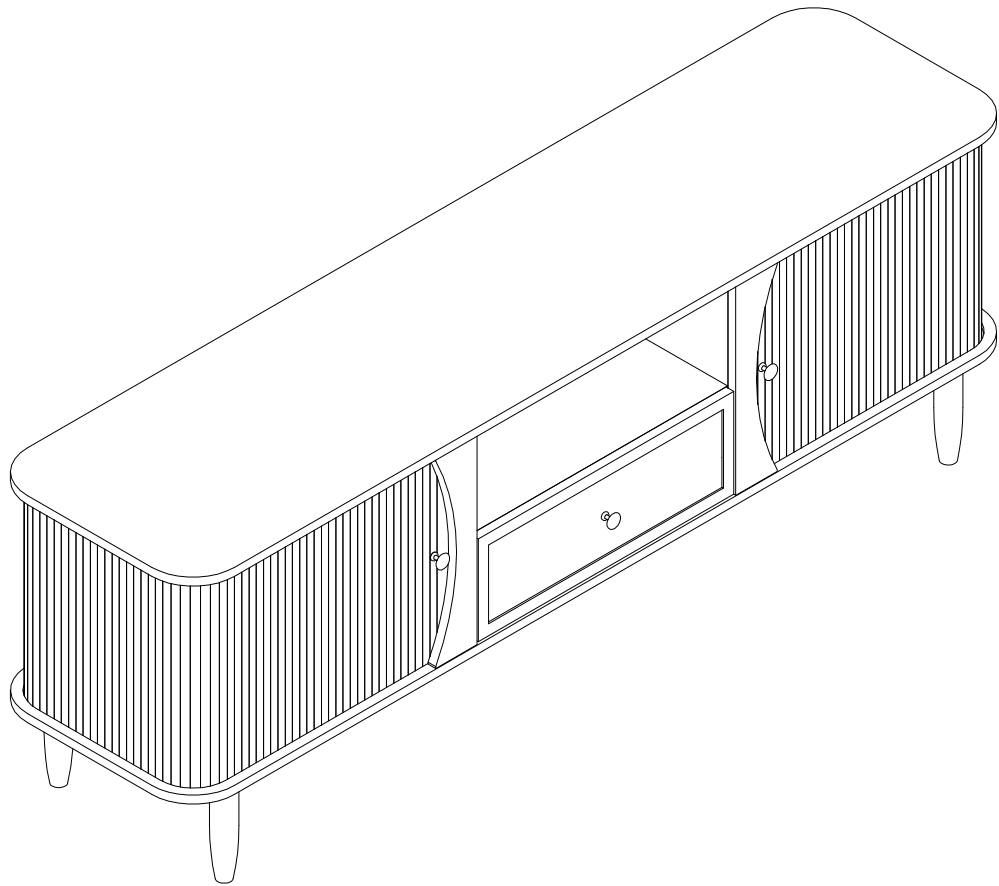


Assembly Instructions

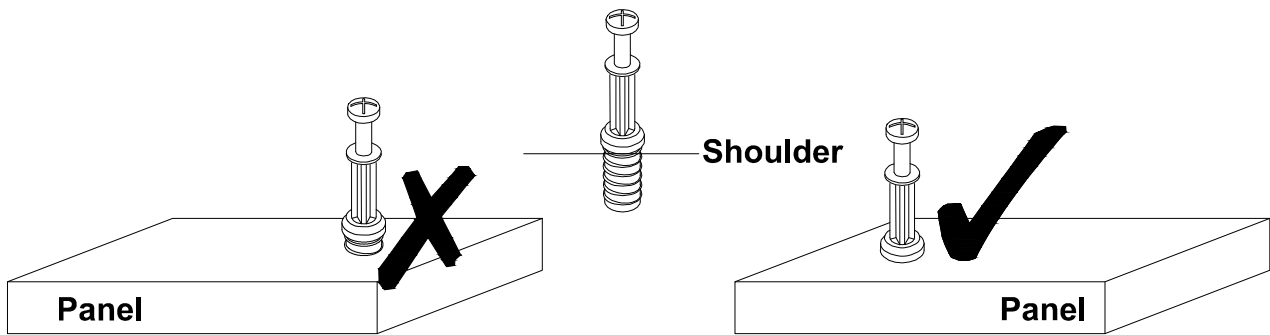


Before Assembly

Tips Before Your Start:

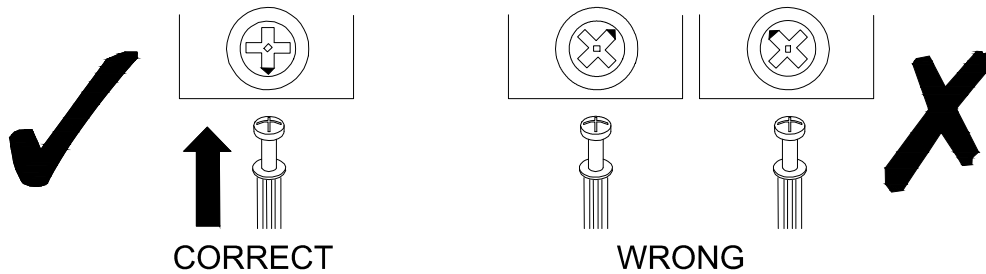
- Remove all wrapping material, including staples & packing straps before you start to assemble.
- DO NOT tighten all screws and bolts until the assembly is completely assembled.
- Keep all hardware parts out of reach of children.

QUICKFIT



Tighten quickfit until shoulder is flush with panel. Do not overtighten or undertighten.

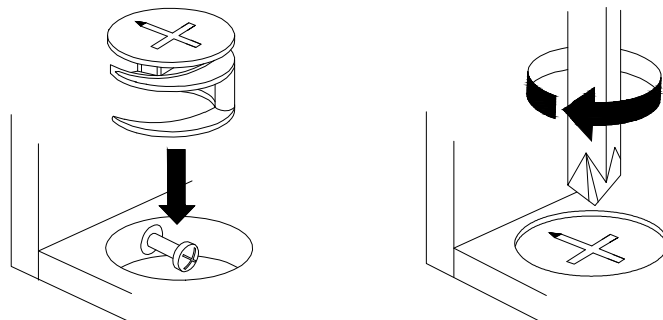
CAM LOCK



When fitting a cam lock, ensure the starting position is correct before inserting the connecting QUI CKFIT

Quickfit head should be in the centre of the cam lock when the two panels are joined.

Cam lock should be inserted before quickfit.

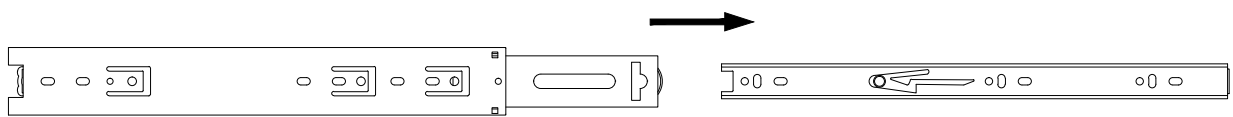
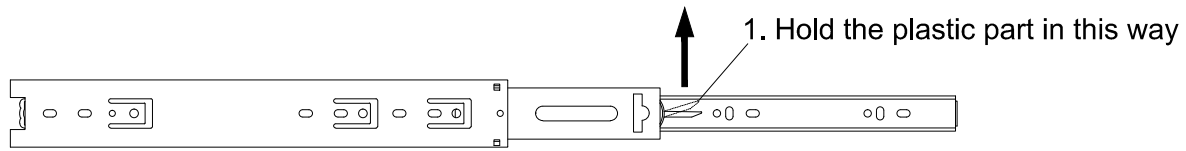


Turn cam lock clockwise to tighten.

Before Assembly

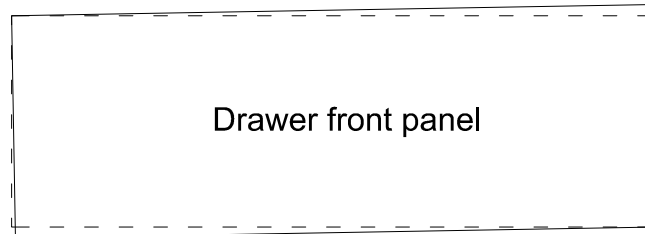
Tips Before Your Start

How to separate the drawer slider:

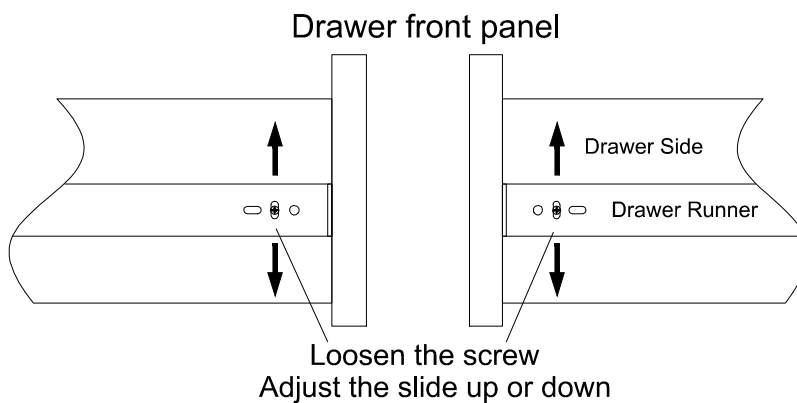


2. Pull out the inner slider for drawer box fixing

Drawer Front Alignment




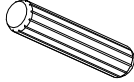
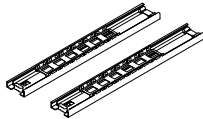
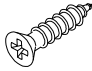

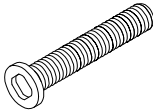

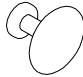
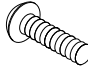

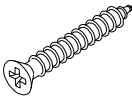
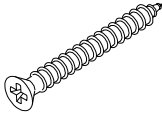
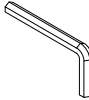
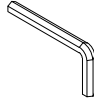
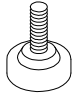
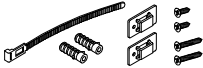
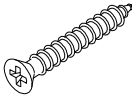


If the drawer front panel is NOT level after being assembled, then...

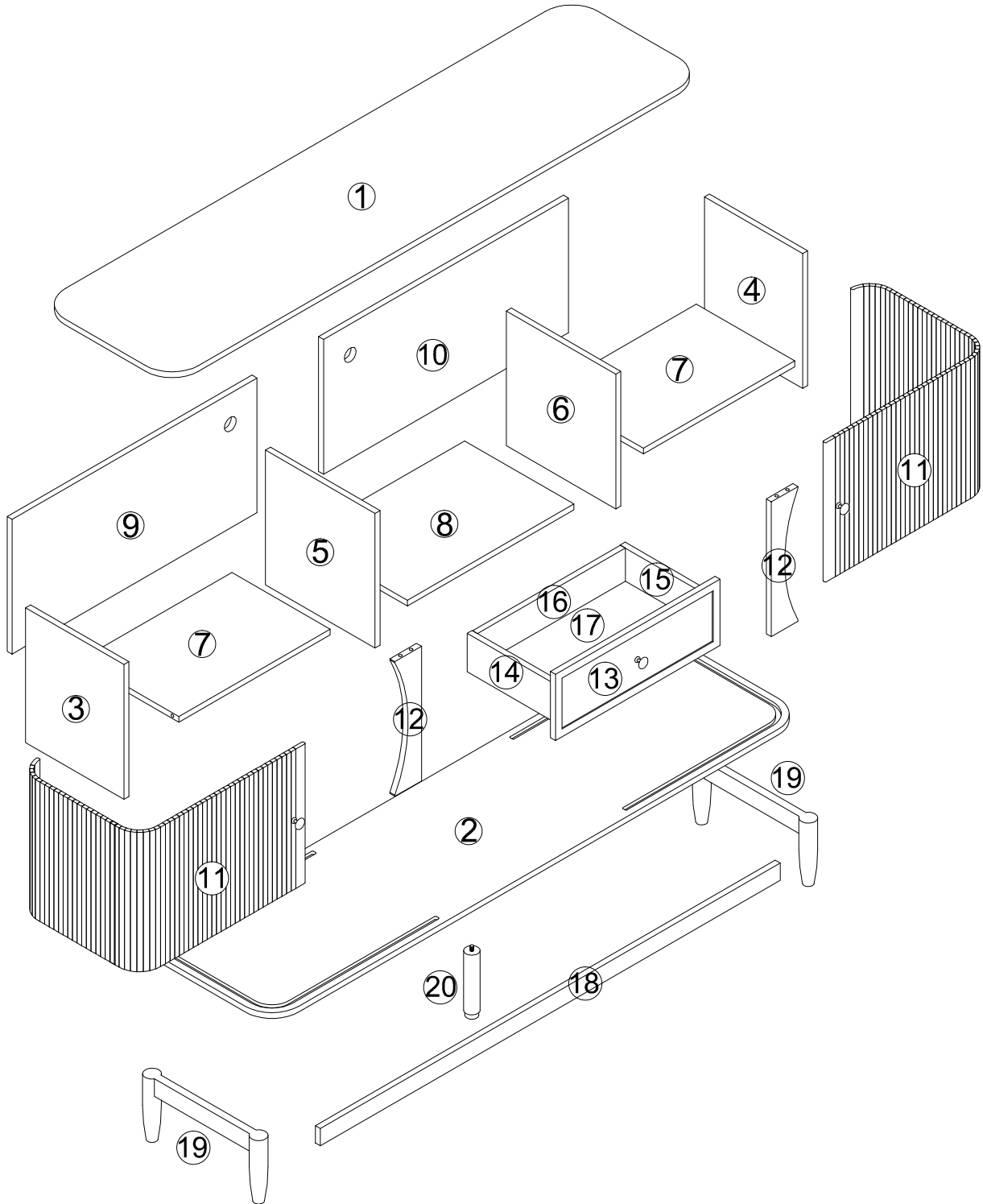


Loosen the screws on the left and right hand side, then adjust the drawer slide up or down, until the drawer fronts are even/level, then tighten the screws.

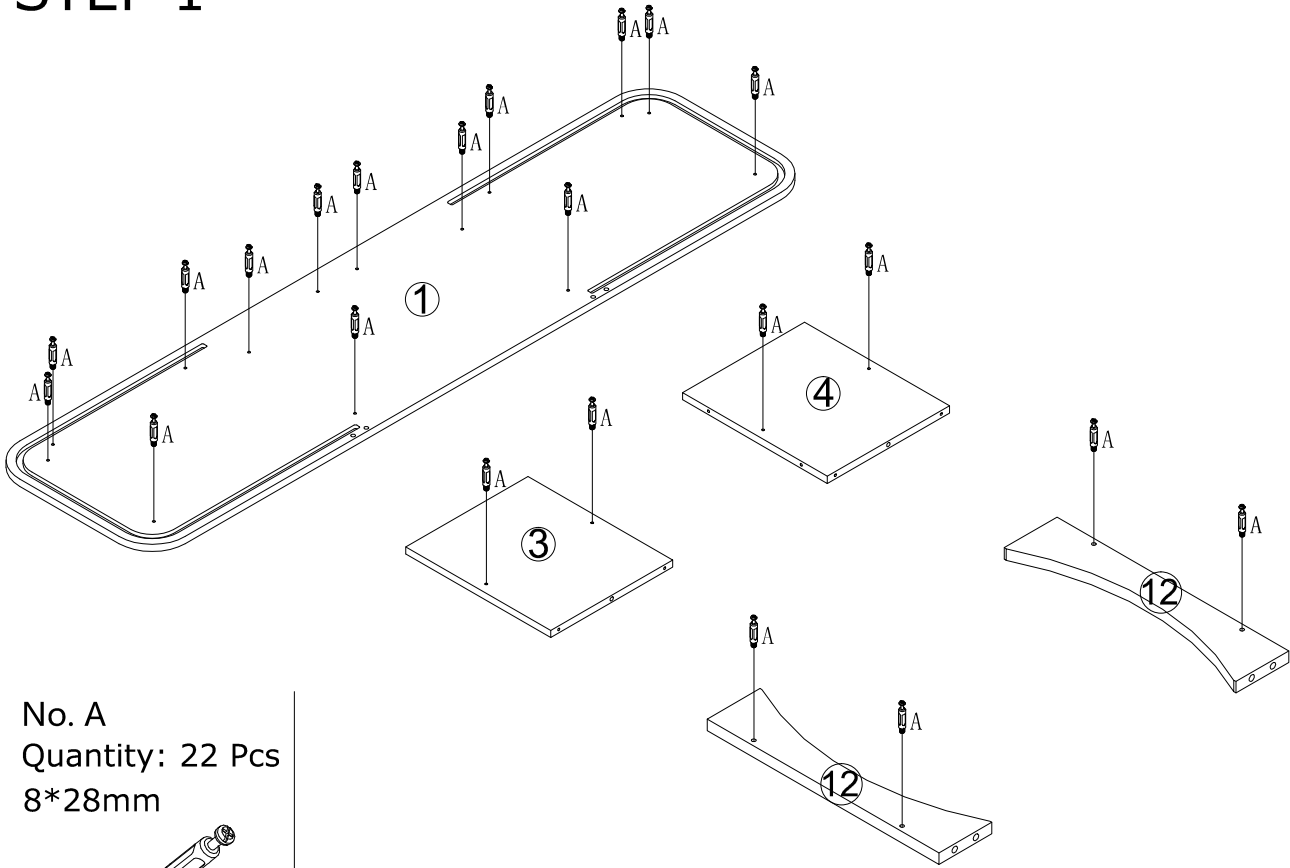
Part List

<p>No. A Quantity:34 Pcs Cam Lock Dowel 8*28mm</p> 	<p>No. B Quantity:34 Pcs Cam Ø15</p> 	<p>No. C Quantity:34 Pcs Sticker Ø20</p> 	<p>No. D Quantity:16 Pcs Dowel 8*30mm</p> 
<p>No. E Quantity:1 Pcs Drawer Slider 10"</p> 	<p>No. F Quantity:8 Pcs Screw M3.5*14mm</p> 	<p>No. G Quantity:28 Pcs Screw M6*40mm</p> 	<p>No. H Quantity:4 Pcs Screw M8*35mm</p> 
<p>No. I Quantity:4 Pcs Foot Pad Ø20</p> 	<p>No. J Quantity:3 Pcs Handle</p> 	<p>No. K Quantity:2 Pcs Screw M4*14mm</p> 	<p>No. L Quantity:1 Pcs Screw M4*16mm</p> 
<p>No. M Quantity:6 Pcs Screw M4*30mm</p> 	<p>No. N Quantity:5 Pcs Screw M4*45mm</p> 	<p>No. O Quantity:1 Pcs Allen Key 4#</p> 	<p>No. P Quantity:1 Pcs Allen Key 5#</p> 
<p>No. Q Quantity:1 Pcs Adjust The Foot</p> 	<p>No. R Quantity:1 Sets Anti-falling Parts</p> 	<p>No. S Quantity:2 Pcs Screw M4*35mm</p> 	

Product structure



STEP 1



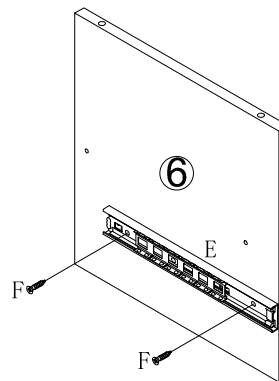
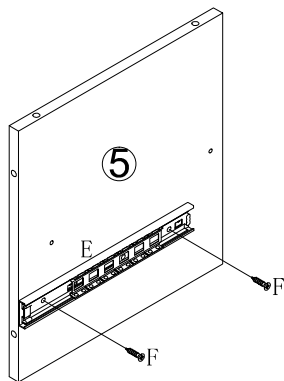
No. A
Quantity: 22 Pcs
8*28mm



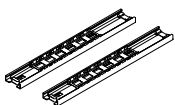
STEP 2



The first screw hole should corresponded with the board location hole



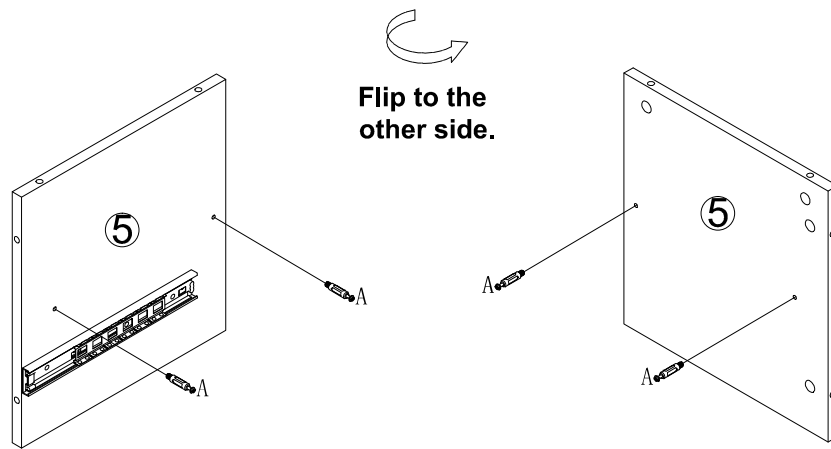
No. E
Quantity: 1 Sets
10"



No. F
Quantity: 4 Pcs
M3.5*14mm



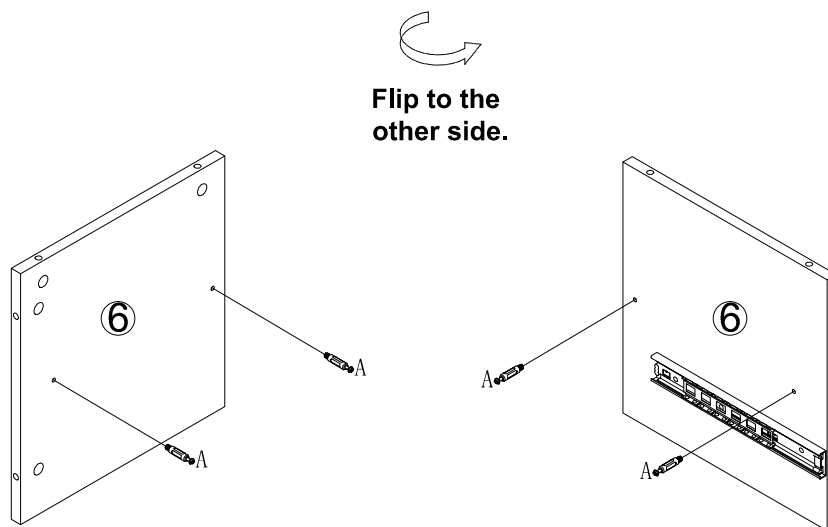
STEP 3



No. A
Quantity: 4 Pcs
8*28mm



STEP 4

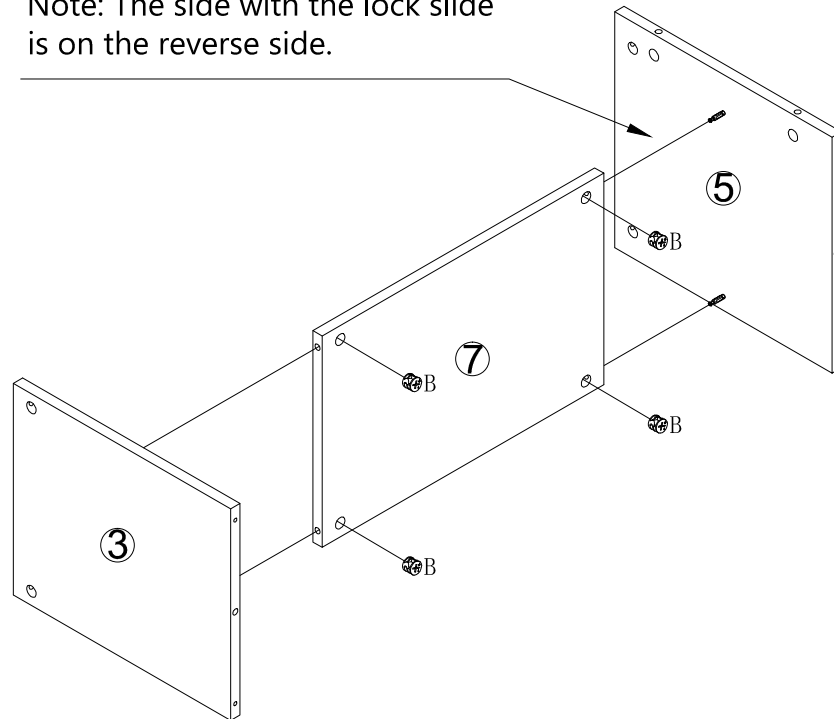


No. A
Quantity: 4 Pcs
8*28mm



STEP 5

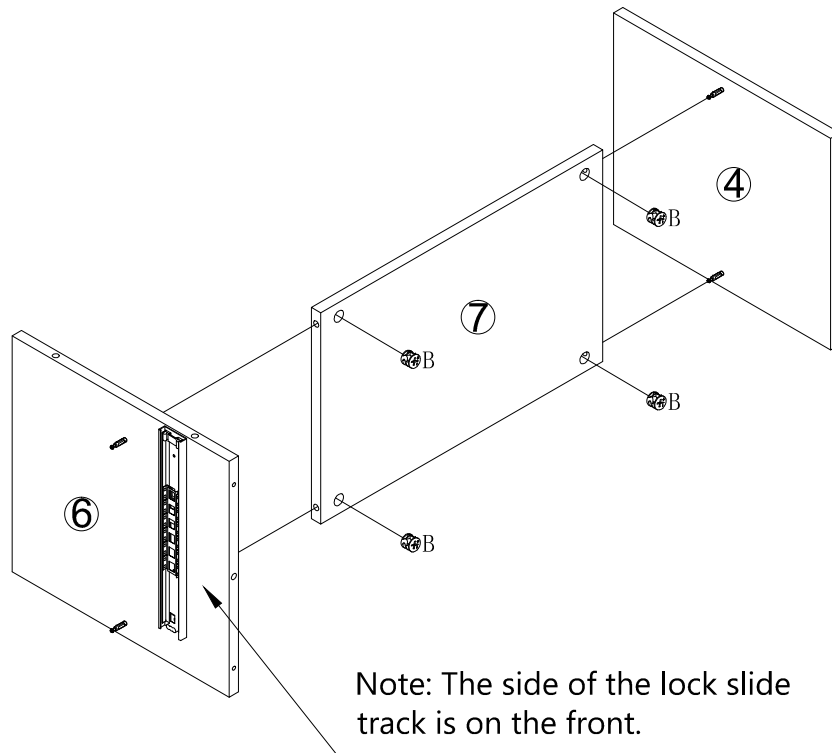
Note: The side with the lock slide is on the reverse side.



No. B
Quantity: 4 Pcs
Ø15



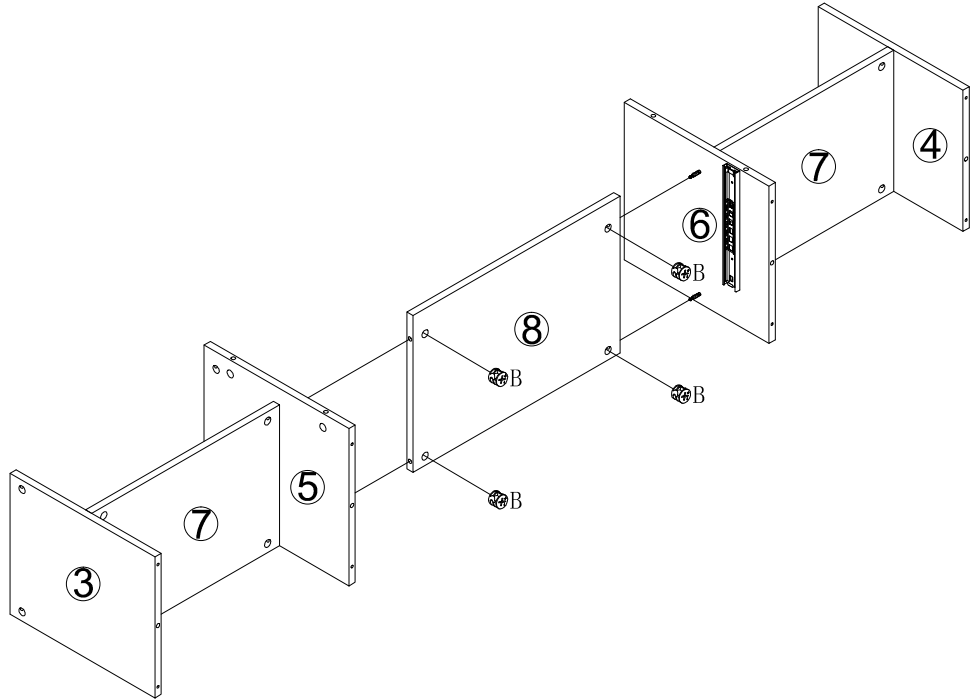
STEP 6



No. B
Quantity: 4 Pcs
Ø15



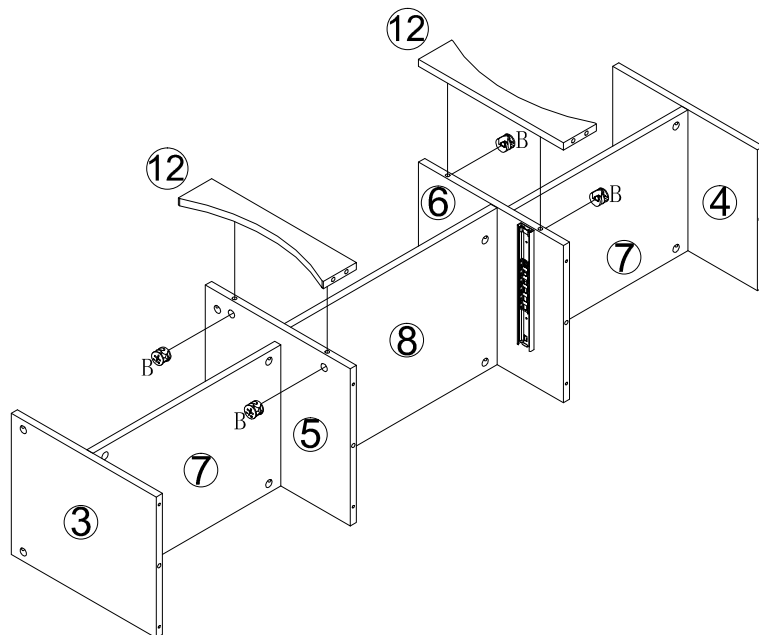
STEP 7



No. B
Quantity: 4 Pcs
Ø15



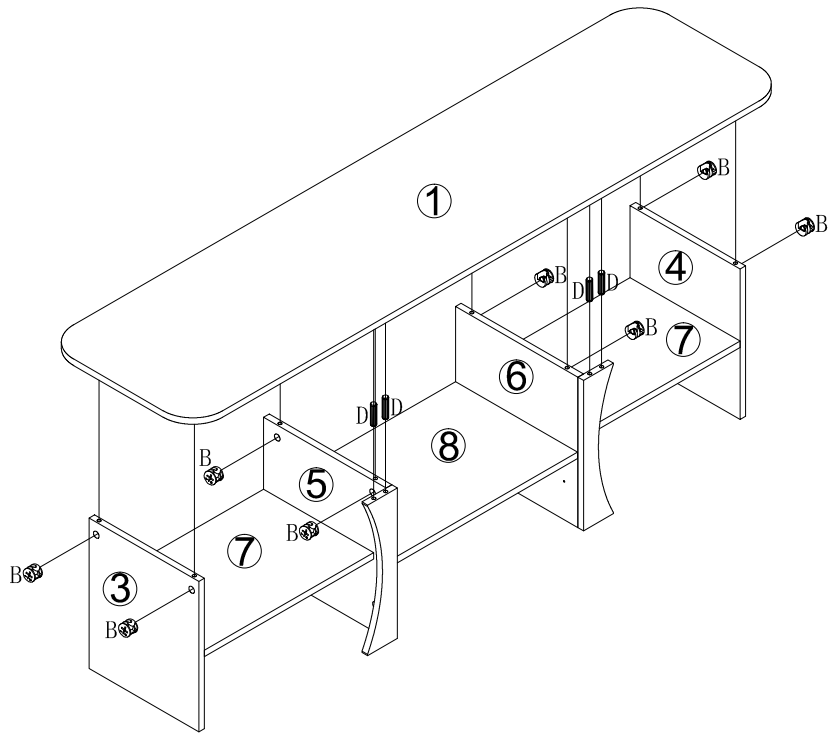
STEP 8



No. B
Quantity: 4 Pcs
Ø15



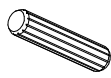
STEP 9



No. B
Quantity: 8 Pcs
Ø15

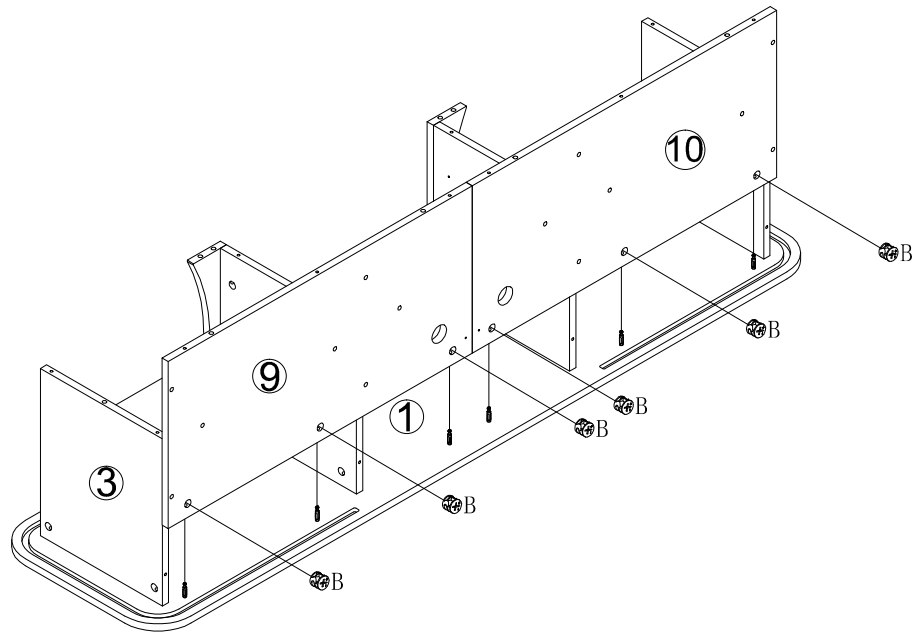


No. D
Quantity: 4 Pcs
8*30mm



Note: When assembling here, you need to cover the panel with the number "1".

STEP 10

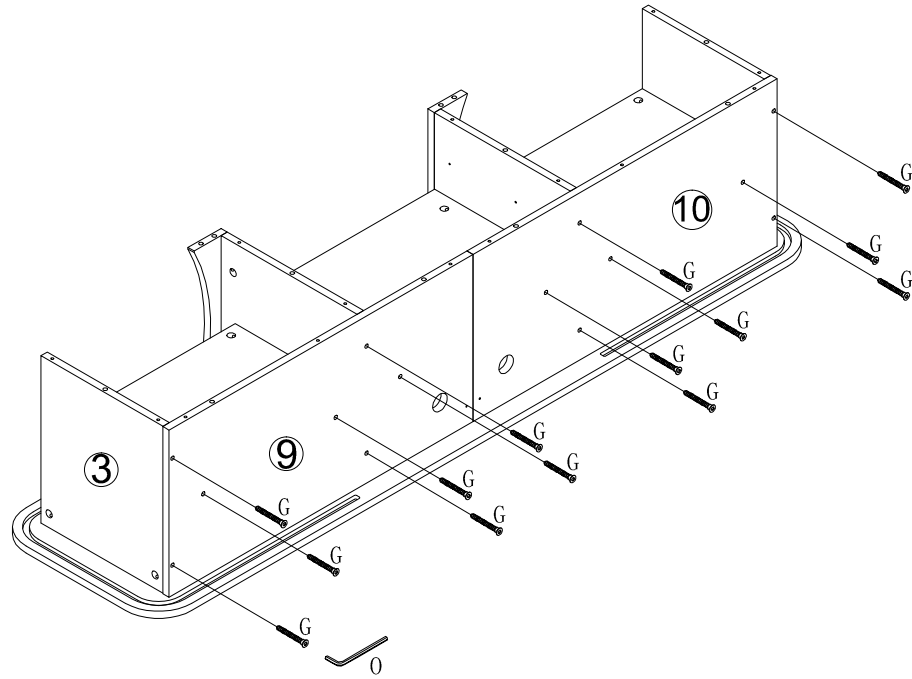


No. B
Quantity: 6 Pcs
Ø15



Note: You need to turn the cabinet over when assembling here.

STEP 11



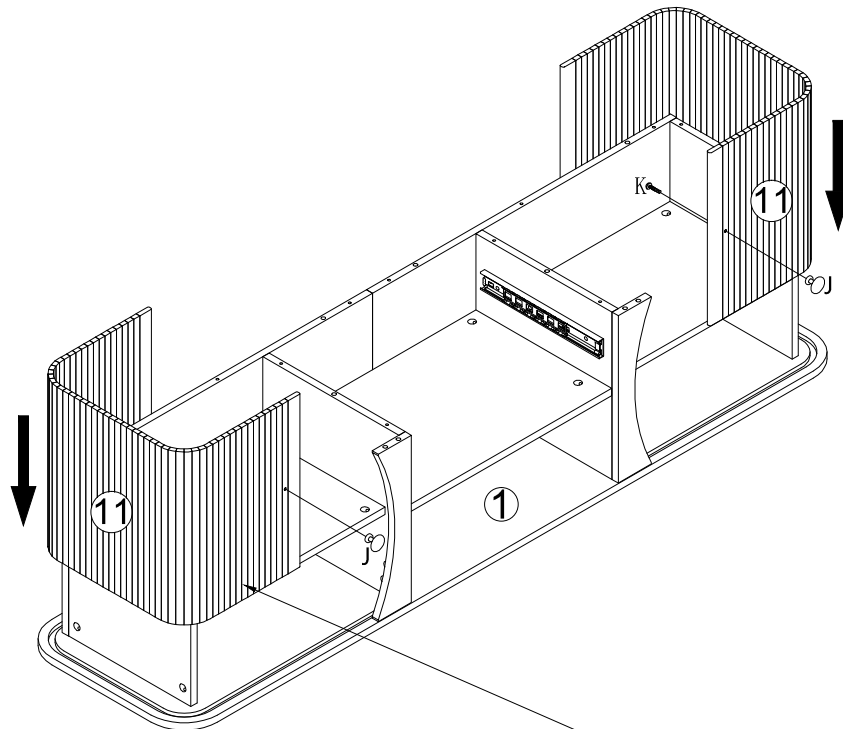
No. G
Quantity: 14 Pcs
M6*40mm



No. O
Quantity: 1 Pcs
4#



STEP 12



No. J
Quantity: 2 Pcs



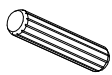
No. K
Quantity: 2 Pcs
M4*14mm



There is wax on the sliding door, and it needs to be pushed and rubbed back and forth before use, so that the wax is evenly attached to the board.

STEP 13

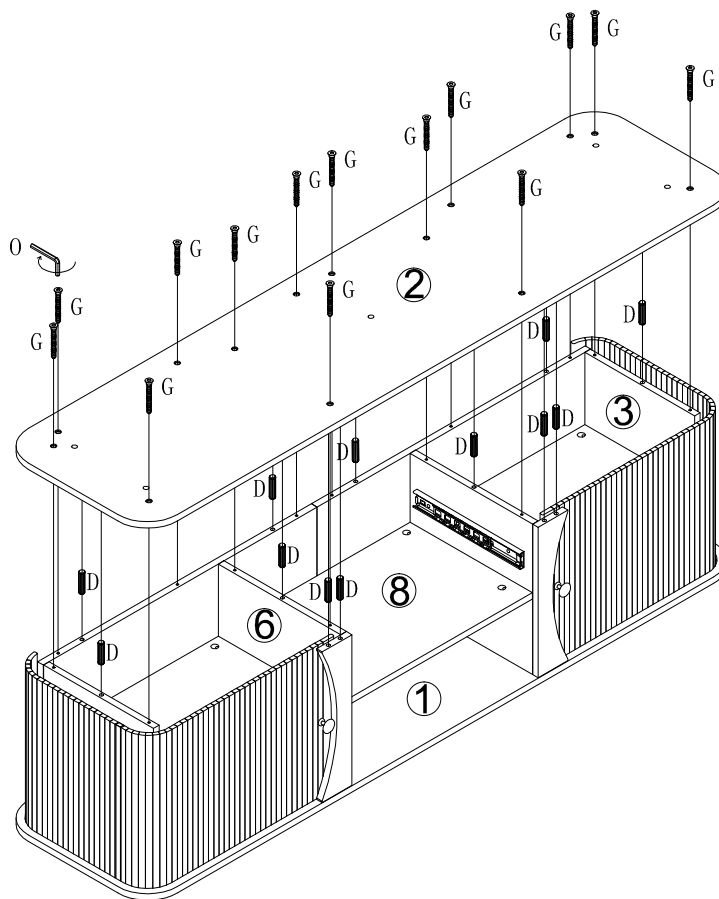
No. D
Quantity: 12 Pcs
8*30mm



No. G
Quantity: 14 Pcs
M6*40mm

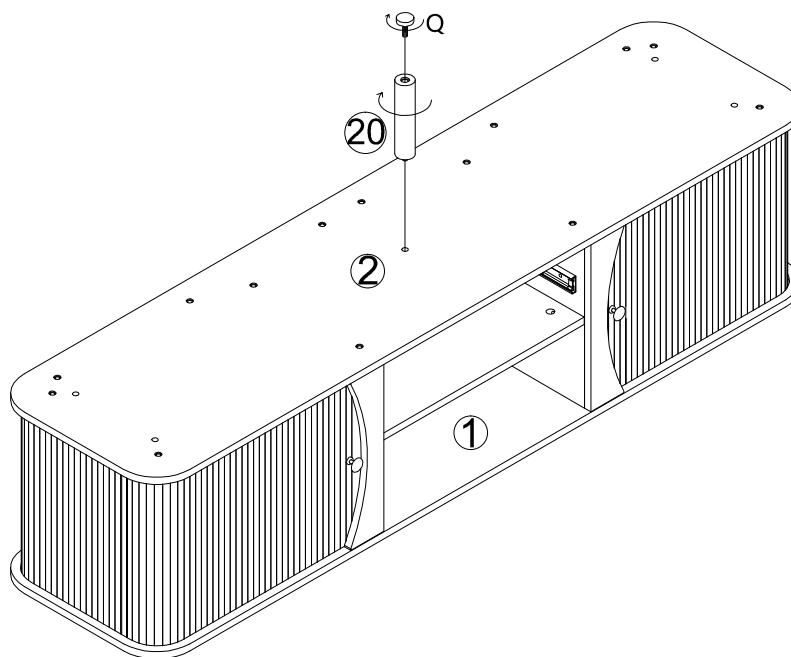


No. O
Quantity: 1 Pcs
4#

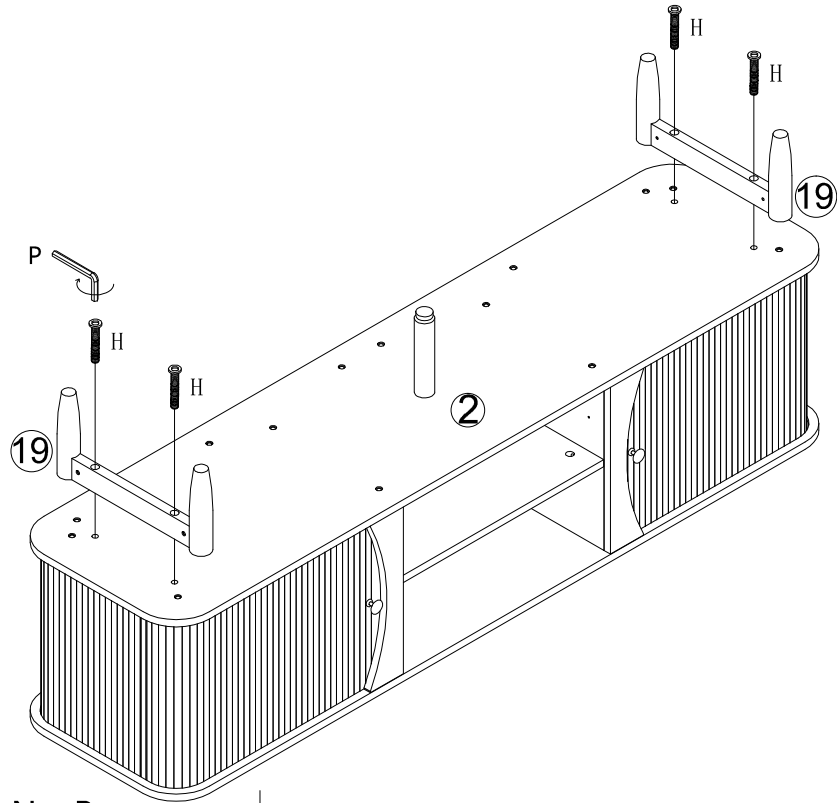


STEP 14

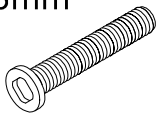
No. Q
Quantity: 1 Pcs



STEP 15



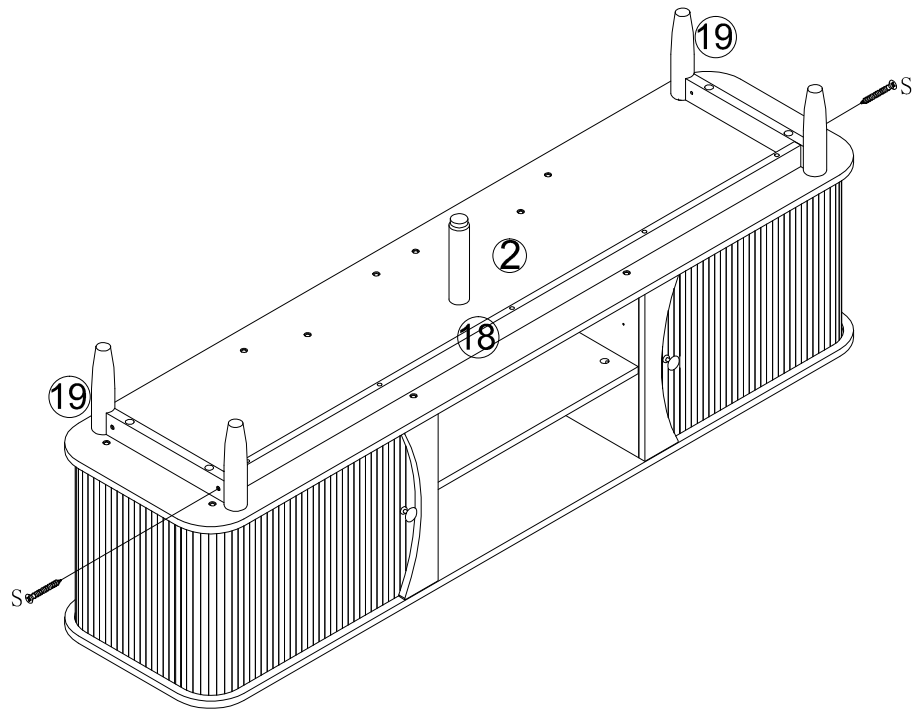
No. H
Quantity: 4 Pcs
M8*35mm



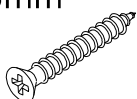
No. P
Quantity: 1 Pcs
5#



STEP 16

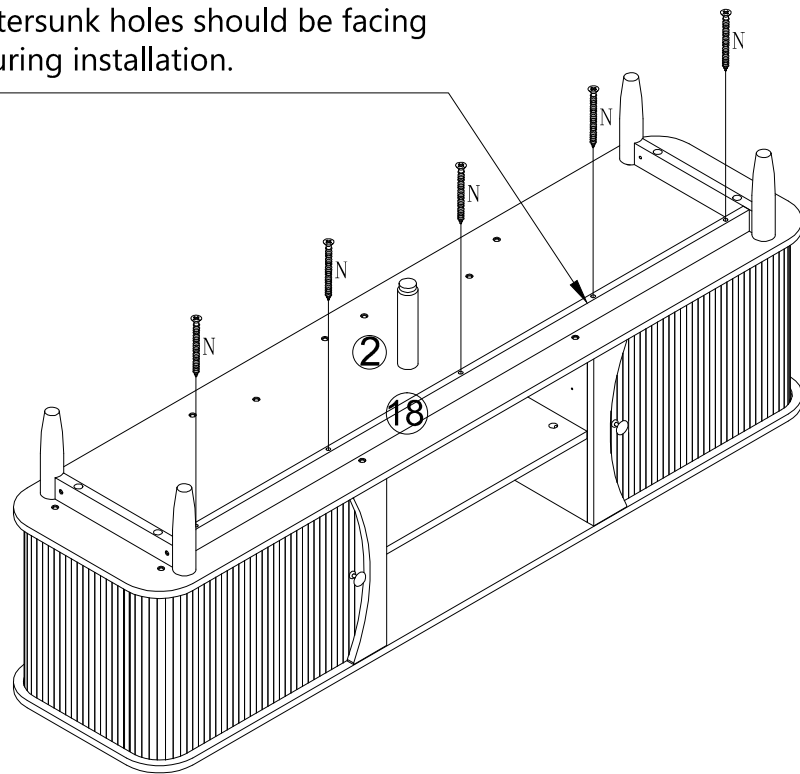


No. S
Quantity: 2 Pcs
M4*35mm

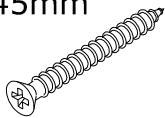


STEP 17

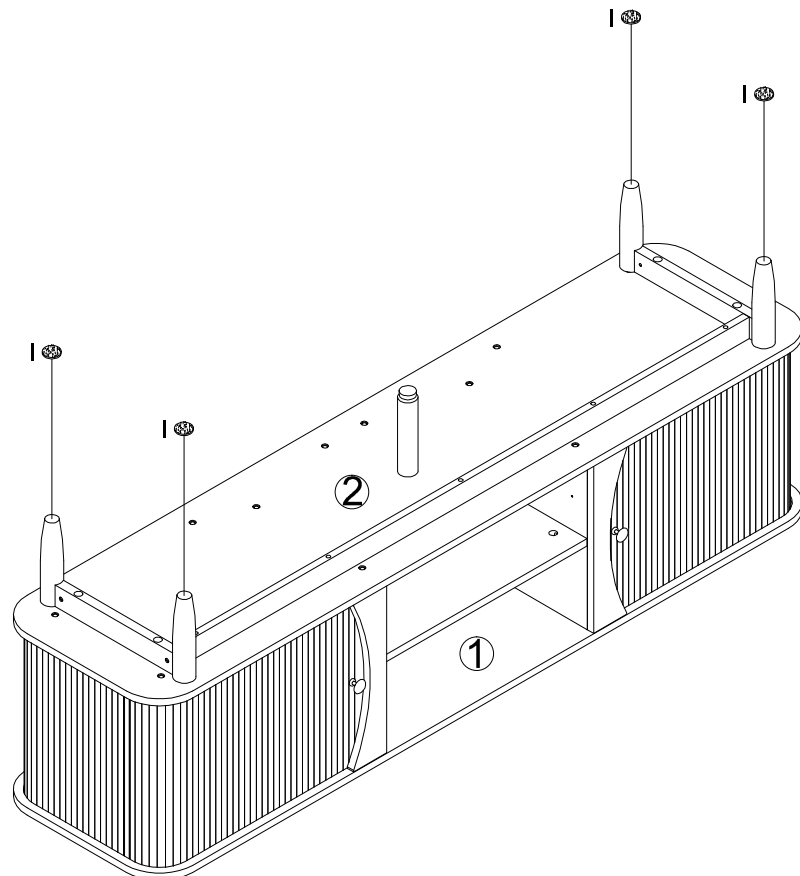
Please note that the side with the countersunk holes should be facing up during installation.



No. N
Quantity: 5 Pcs
M4*45mm



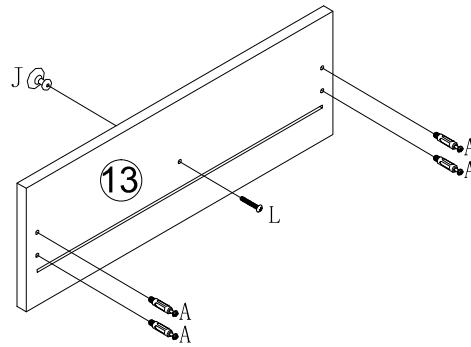
STEP 18



No. I
Quantity: 4 Pcs
Ø20



STEP 19



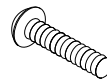
No. A
Quantity: 4 Pcs
8*28mm



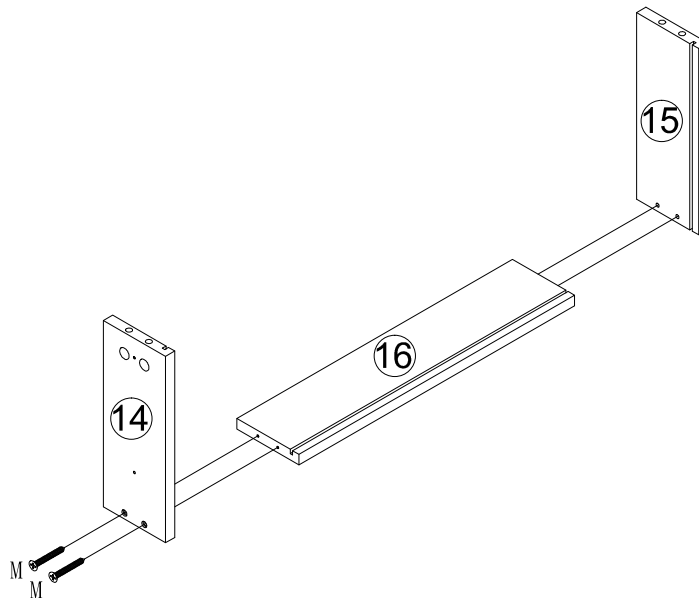
No. J
Quantity: 1 Pcs



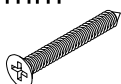
No. L
Quantity: 1 Pcs
M4*16mm



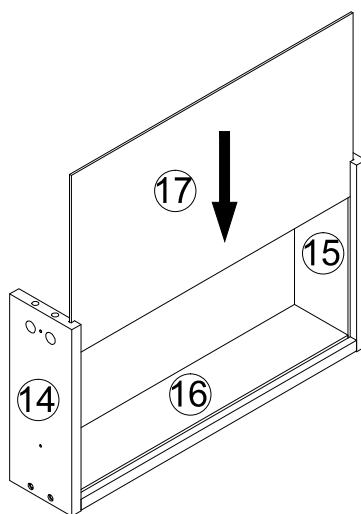
STEP 20



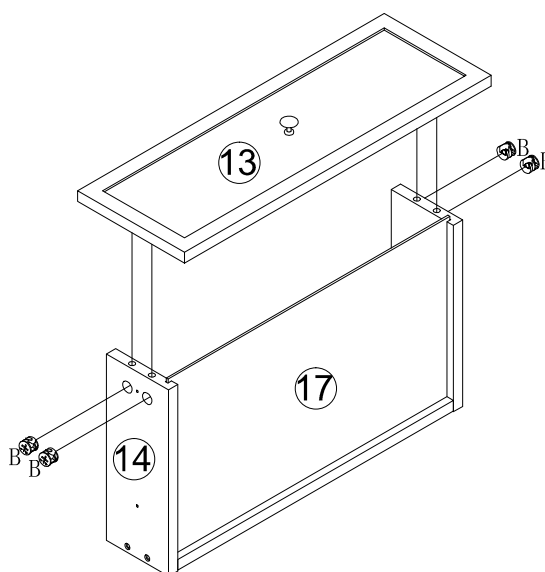
No. M
Quantity: 4 Pcs
M4*30mm



STEP 21



STEP 22



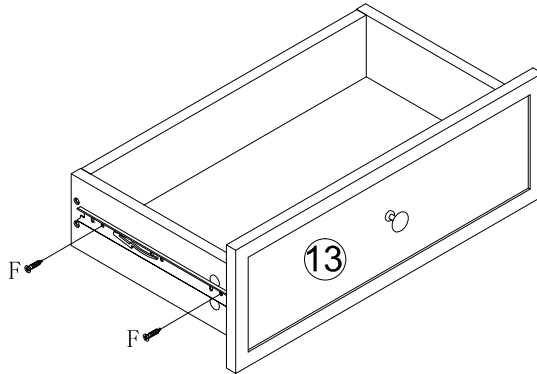
No. B
Quantity: 4 Pcs
Ø15



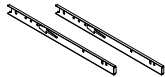
STEP 23

 back

The first screw hole should corresponded with the board location hole



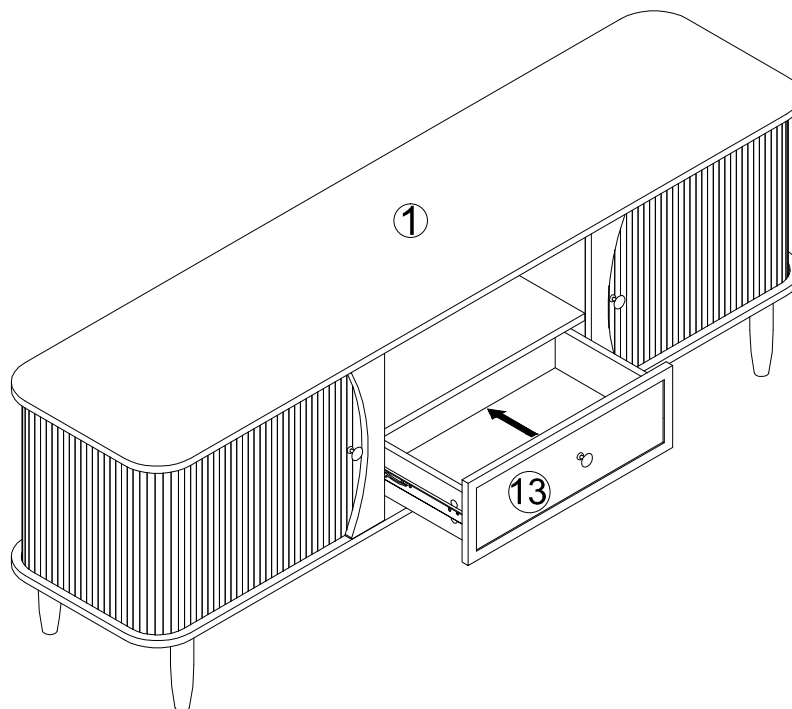
No. E
Quantity: 1 Sets
10"



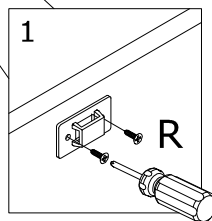
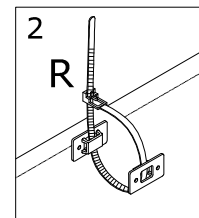
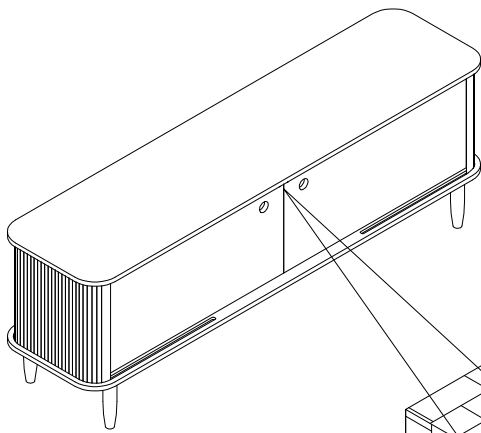
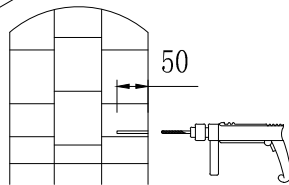
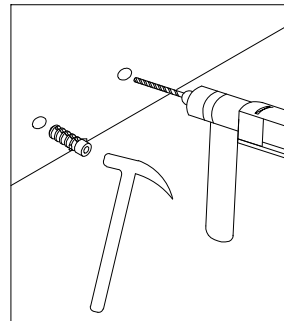
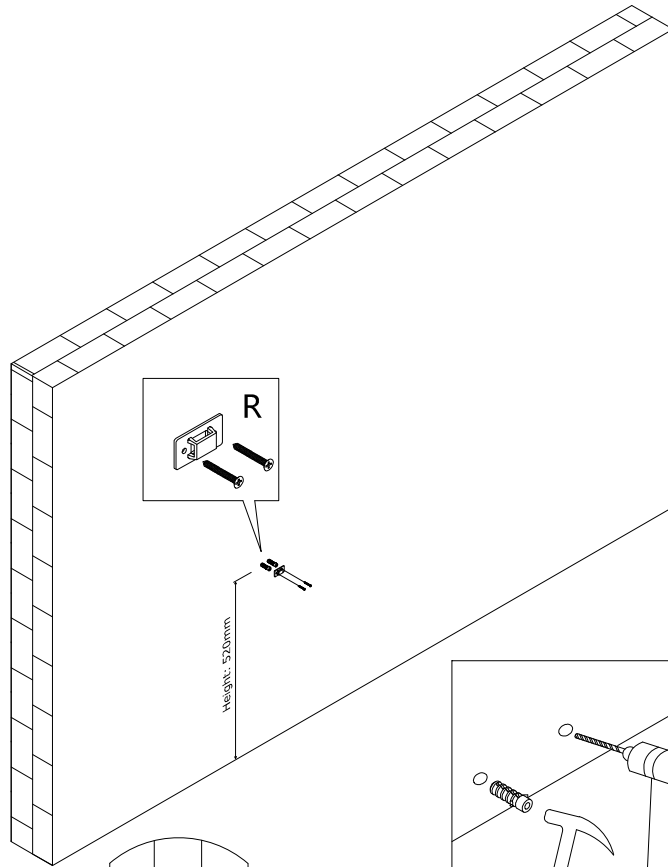
No. F
Quantity: 4 Pcs
M3.5*14mm



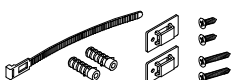
STEP 24



STEP 25



No. R
Quantity: 1 Set



Note:
Please lift up the furniture by two people when moving is needed. Dragging may cause the legs failure.