

---

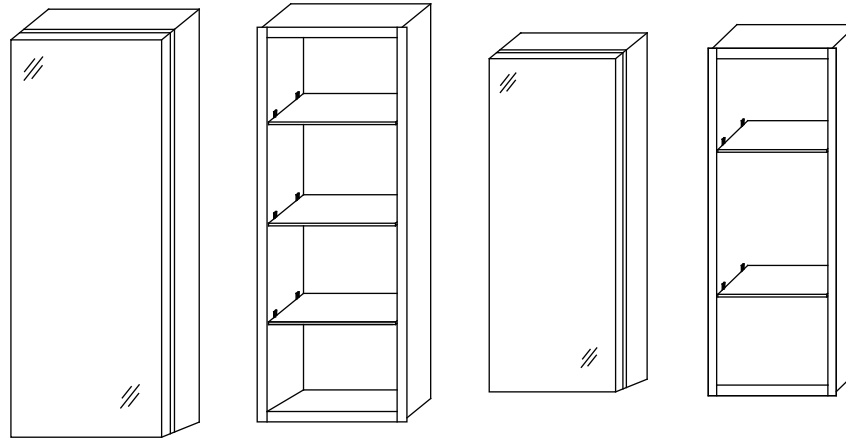
## Installation and Operating Manual

Size: W12" x  
H30"

Size: W12" x  
H30"

Size: W12" x H26"

Size: W12" x  
H26"



**For easy and safe installation, please refer to the following:**

Read all instructions thoroughly before installing the enclosed product.  
Read and take note of all safety, care and maintenance information.

**PLEASE KEEP THIS INSTRUCTION MANUAL FOR FUTURE REFERENCE  
DURING PRODUCT OPERATION AND MAINTENANCE.**

# INSTALLATION INSTRUCTION

BEFORE YOU START, HERE IS SOME IMPORTANT INFORMATION.


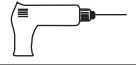

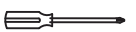


**DANGER:** Before installation, make sure the main power is cut off.

**WARNING:** Installation must be performed by a qualified licensed electrician.

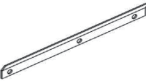


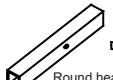
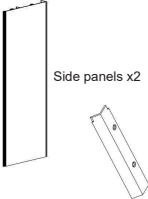





## IMPORTANT

- This product contains glass parts. Take care while fitting or handling to prevent personal injury or damage to the product; If the glass is broken, please stop using it and replace it from agent or manufacturer.
- Ensure the mounting surface is dry and strong enough to bear four times the weight of the product for the safe fitting.
- Special care should be taken when drilling walls to avoid hidden pipes or electrical cables.
- The product covers the outlet box and the wirings after installation.

## TOOLS REQUIRED

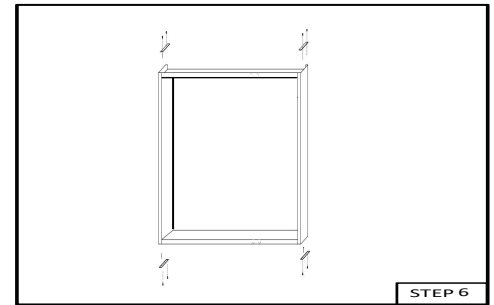
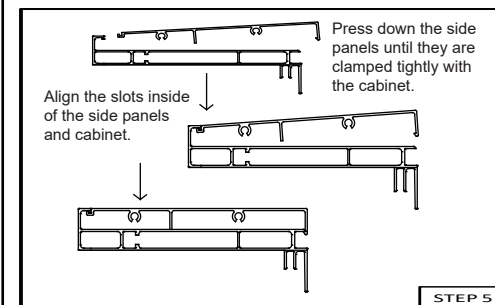
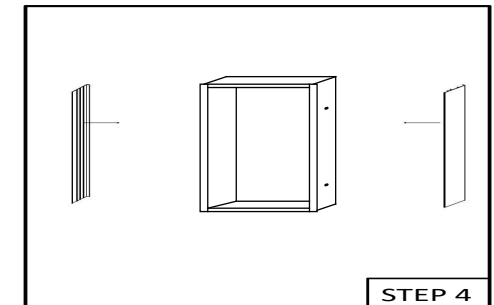
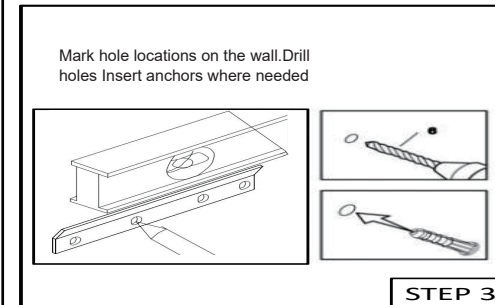
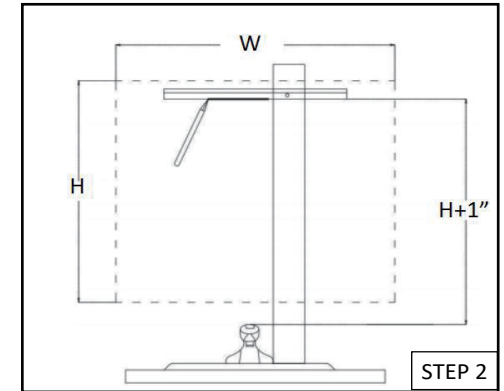
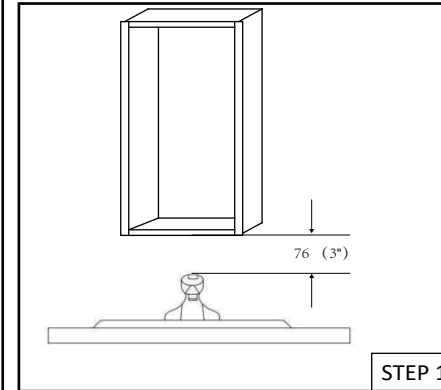
Description	Parts Image	Description	Parts Image
Tape Measure		Drill	
Spirit Level		Cross Head Screwdriver	
Pencil		Hammer	

## PARTS SUPPLIED

 Z-Bar x1	 Z-Hook x1 Matching screws x2	 for spare x 4	 Round head screw x4 Square pipe x2	 Side panels x2
 hinge cover x2	 Anchor x3	 Round head screw x3	 12" * 26" Glass shelves x 2 12" * 30" Glass shelves x 3	 Side panel lids x4 Matching screws x10

## Cabinet installation Instructions for Hanging Walls

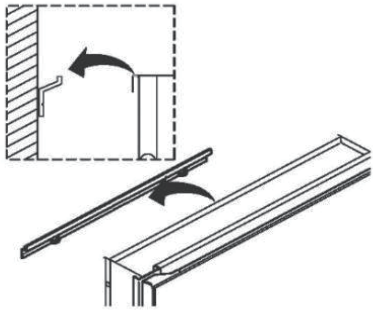
Verify minimum clearances



The side panels and cabinets are individually packaged, you need follow the STEP5 to STEP7 to install the side panels for hanging walls version, for embedded installation no need install the side boards.

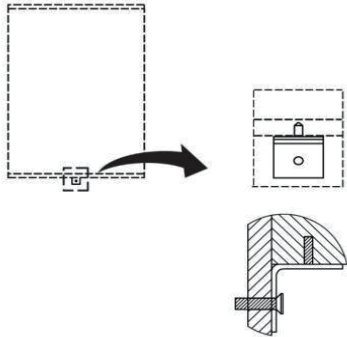
### Cabinet installation Instructions for Hanging Walls

Lift the cabinet onto the mounting bar.  
Ensure the hooks engage the bar.



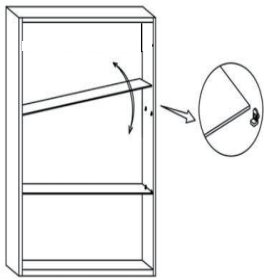
STEP 7

Place the support angle on the bottom of the cabinet. Mark hole location on wall. Drill hole. Insert anchor where needed. Fixed the support angle by screw.



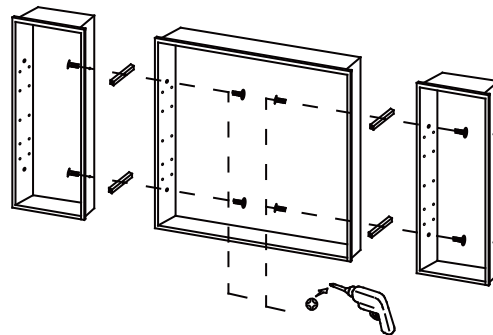
STEP 8

Insert the glass shelves between the layer board clips.



STEP 9

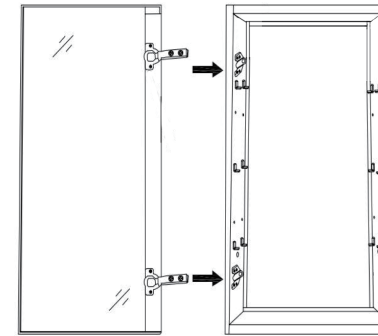
### OR Recessed installation



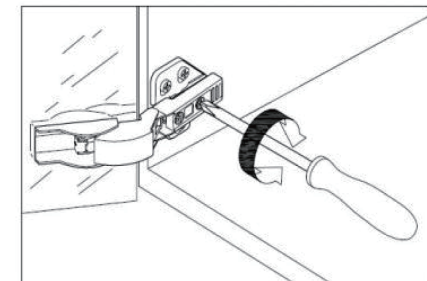
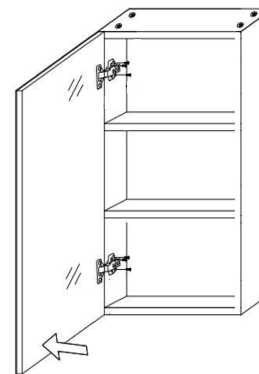
### Instructions for assembling the doors and cabinet--

**Suit for the items which doors and cabinet are separately packaging**  
(considering the huge weight, we suggest installing the cabinet first, then assemble the door with cabinet as below steps)

1. Insert the hinges to the base, then connect the doors with the cabinet



2. Adjust corresponding screws on the hinge to align the doors, ensure that gaps are even and the doors open and close smoothly



Adjust gap between door and cabinet