

---

# STORAGE CABINET

User Manual

---



## INTRODUCTION



Thank you for choosing the Storage Cabinet. Please read this user manual carefully and keep it for future reference. If you need any assistance, please contact us by email with your order number and details.

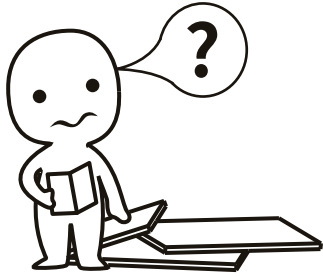
## PACKAGE CONTENTS

- 1x Storage Cabinet
- 1x Pack of Accessories
- 1x User Manual

## PRODUCT CARE

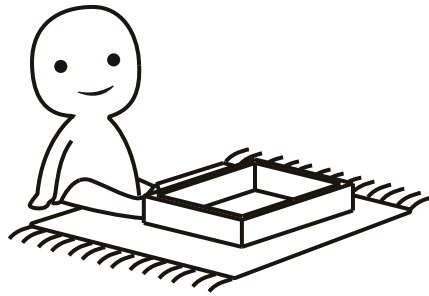
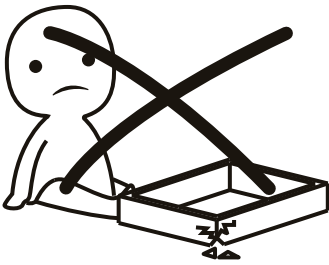
- Please follow the instruction to assemble this item correctly.
- Don't make the screws be too loose or too tight.
- Please put the screws into the holes' position just as shown in the arrows of the image, and then clockwise rotate 90° or 180°
- More product parts, it is recommended that two people install
- The fittings pack contains small accessories that should be kept away from small children.

<b>⚠ WARNING</b>	
	<p><b>Children have died from furniture tipover. To reduce the risk of furniture tipover:</b></p> <ul style="list-style-type: none"><li>- ALWAYS install Anti-tip device provided.</li><li>- NEVER put a TV on this product.</li><li>- NEVER allow children to stand, climb or hang on any drawers, doors, or shelves.</li><li>- NEVER open more than one drawer at a time.</li><li>- Place heaviest items in the lowest drawers.</li></ul>
	<p><i>This is a permanent label. Do not remove!</i></p>



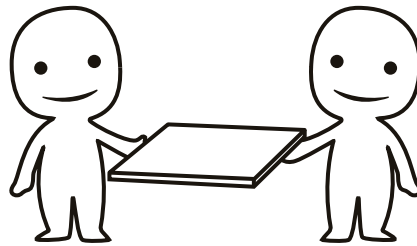
## IMPORTANT INFORMATION!

please read the entire manual before starting to assemble and/or using this product. follow the manual thoroughly and keep it for further reference.



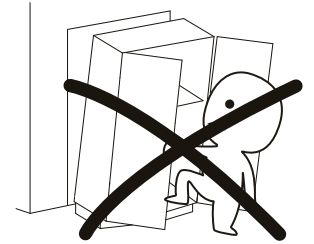
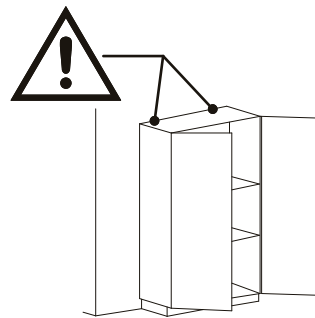
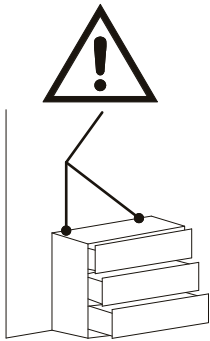
## AVOID SCRATCHES!

In order to avoid scratching this furniture should be assembled on a soft layer-could be a rug.



## IMPROVE EFFICIENCY!

Try to find a partner to install with you, which can speed up the installation efficiency and shorten the time.



## ANTI-TOPPLE WARNING !

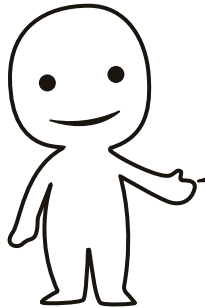
Overturnd furniture can cause serious or fatal crush injuries. To prevent tipping over, be sure to use the wall attachment, if not included with this product. Please purchase the wall attachment that fit your wall. If unsure, seek professional advice. Please read and follow each step of the instructions carefully.

# IMPORTANT !

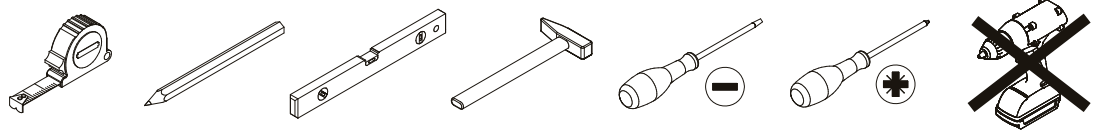
It is important that any product which is assembled using any kind of screw is re-tightened 2 weeks after assembly, and once every 3 months - in order to assure stability through-out the lifespan of the product.

For regular maintenance and cleaning of the product, for the frame, please use a rag dipped in neutral detergent to fully wipe it, and then dry it with a clean rag. For glass materials, wipe with a rag dampened with water glass cleaner, and then dry with a dry rag.

Do not use an electric screwdriver, and do not use too much force when installing, because the board is easy to break.



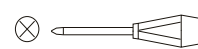
Please prepare the following tools



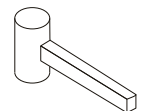
When installing, please carefully confirm whether each screw corresponds to the manual, accessories with similar shapes can be distinguished by size

## TOOLS REQUIRED:

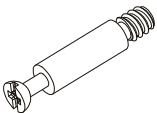
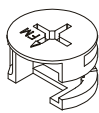
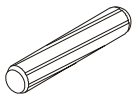
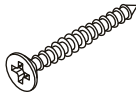
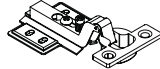
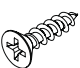
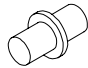

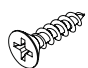
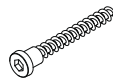


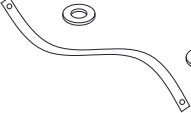


Screwdriver


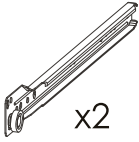
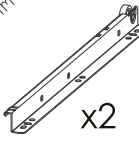
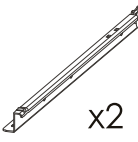
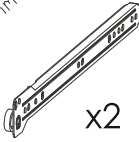
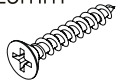


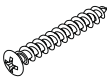




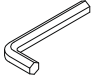



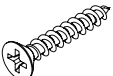


Hammer



## Hardwares list -BOX B

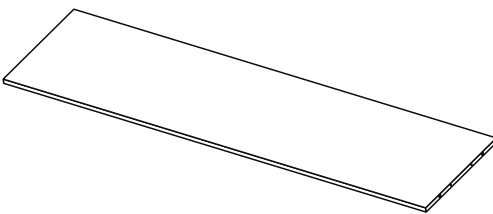
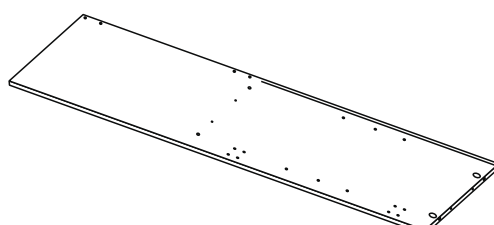
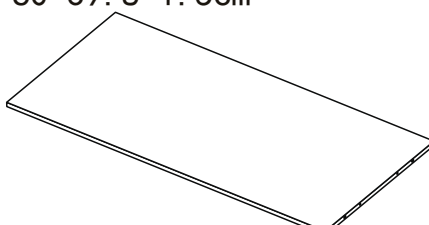
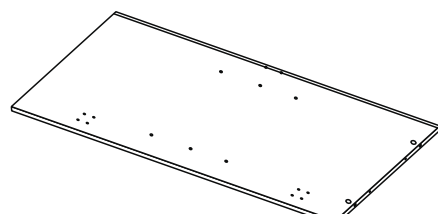
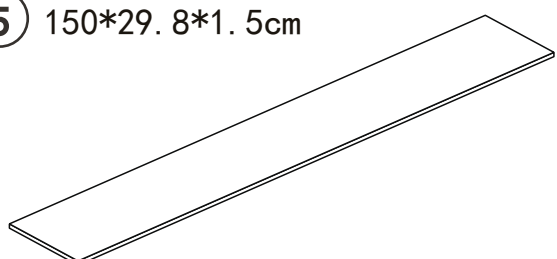
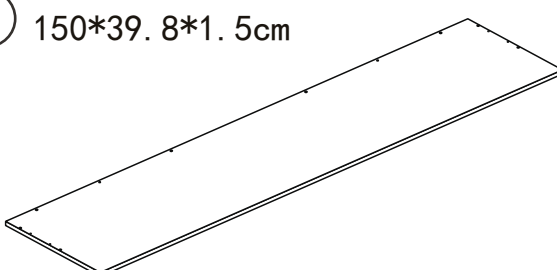
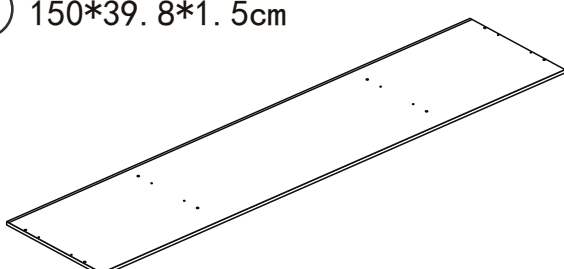
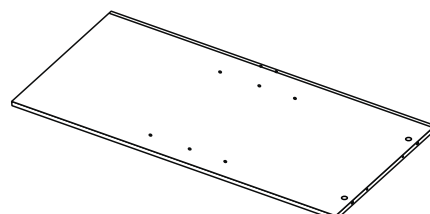
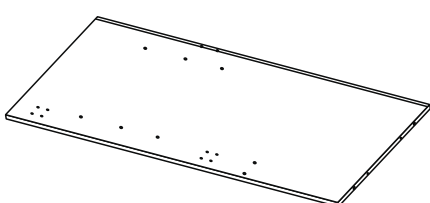
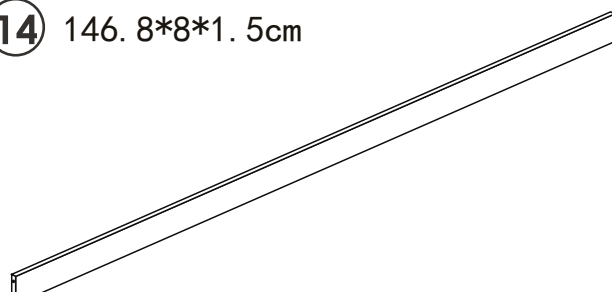
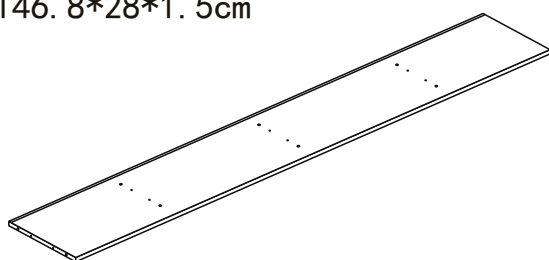
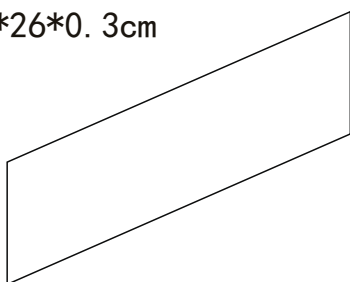
<b>A</b> M6*36mm  x64	<b>B</b> M15*9.5mm  x64	<b>C</b> M5.8*30mm  x59	<b>D</b> M4*35mm  x21	<b>E</b>  x14
<b>F</b> M 4 *14mm  x84	<b>G</b>  x20	<b>H</b>  x36	<b>I</b> M3.5*12mm  x24	<b>J</b> M7*40mm  x4
<b>K</b>  x8	<b>L</b> M 4*16 mm  x7	<b>M</b>  x2	<b>N</b>  x2	<b>O</b> M3*12 mm  x6

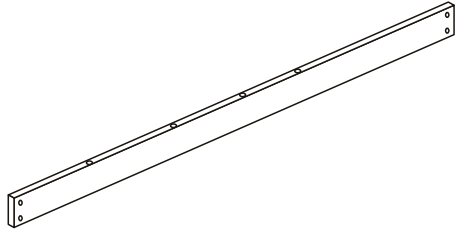
<p>P</p>  <p>x4</p>	<p>(CL)</p>  <p>x2</p>		<p>(DL)</p> <p>12Inch/300mm</p>  <p>x2</p>		<p>(DR)</p>  <p>x2</p>		<p>(CR)</p> <p>12Inch/300mm</p>  <p>x2</p>	
<p>Q M4*25mm</p>  <p>x16</p>	<p>R</p>  <p>x8</p>	<p>S</p>  <p>x2</p>	<p>T M 4*50mm</p>  <p>x12</p>	<p>U</p>  <p>x1</p>	<p>V</p>  <p>x1</p>	<p>W</p>  <p>x1</p>		
<p>X M4*10mm</p>  <p>x2</p>	<p>Y</p>  <p>x1</p>	<p>Z M4*14mm</p>  <p>x8</p>	<p>AA</p>  <p>x20</p>	<p>BB</p>  <p>x1</p>		<p>CC M4*30mm</p>  <p>x8</p>		

# PACKING DETAILS:TOTAL 2 BOXES

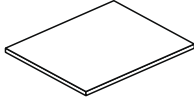
## BOX-A

## BOX-A

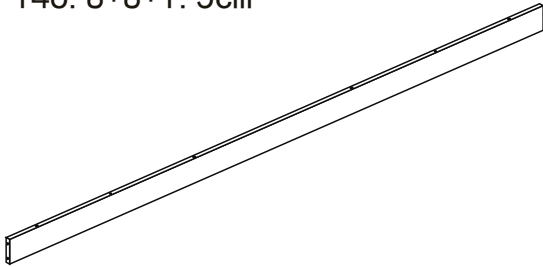
<p>① 98.5*29.7*1.5cm</p>  <p>x1</p>	<p>② 98.5*29.7*1.5cm</p>  <p>x1</p>
<p>③ 60*39.8*1.5cm</p>  <p>x1</p>	<p>④ 60*39.8*1.5cm</p>  <p>x1</p>
<p>⑤ 150*29.8*1.5cm</p>  <p>x1</p>	<p>⑥ 150*39.8*1.5cm</p>  <p>x1</p>
<p>⑦ 150*39.8*1.5cm</p>  <p>x1</p>	<p>⑩ 60*38*1.5cm</p>  <p>x1</p>
<p>⑪ 60*38*1.5cm</p>  <p>x1</p>	<p>⑭ 146.8*8*1.5cm</p>  <p>x1</p>
<p>⑮ 146.8*28*1.5cm</p>  <p>x1</p>	<p>⑳ 74.4*26*0.3cm</p>  <p>x2</p>

**BOX-A****37** 136.5\*6\*1.5cm

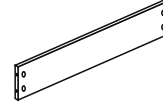
x2

**38** 35\*25.8\*1.5cm

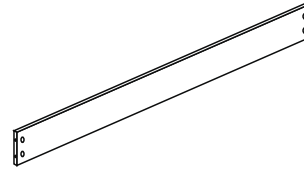
x2

**43** 146.8\*8\*1.5cm

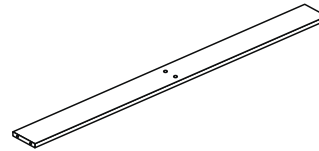
x1

**BOX-B****8** 35.1\*7\*1.5cm

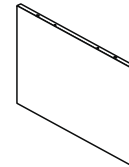
x2

**9** 73.6\*7\*1.5cm

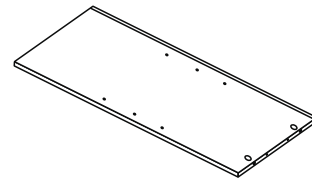
x1

**12** 73.6\*7\*1.5cm

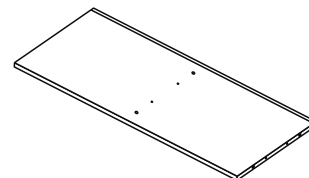
x1

**13** 15.4\*36\*1.5cm

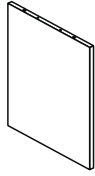
x1

**16** 52\*28\*1.5cm

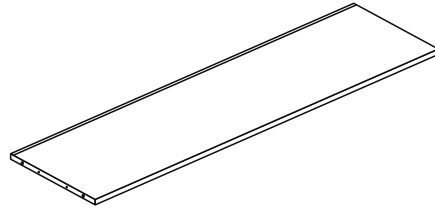
x1

**17** 52\*28\*1.5cm

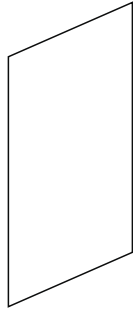
x1

**BOX-B****BOX-B****18** 25.3\*26\*1.5cm

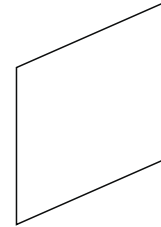
x1

**19** 73.6\*28\*1.5cm

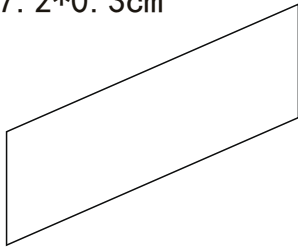
X1

**20** 52.8\*36\*0.3cm

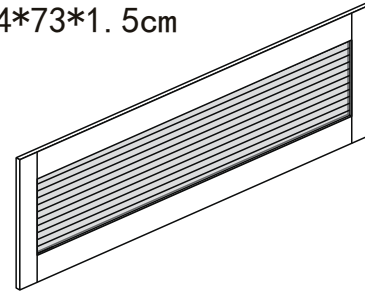
x2

**22** 36\*27.2\*0.3cm

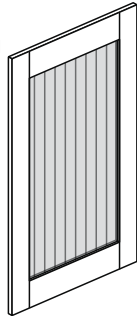
x4

**23** 74.4\*27.2\*0.3cm

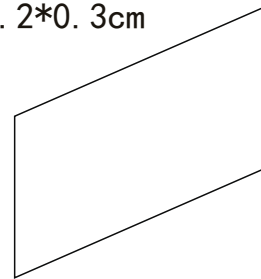
x1

**24** 26.4\*73\*1.5cm

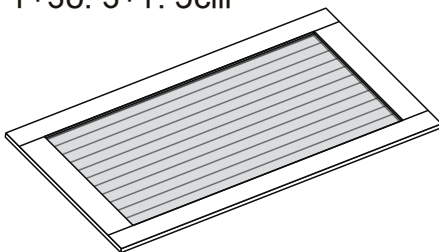
x1

**25** 53\*36.4\*1.5cm

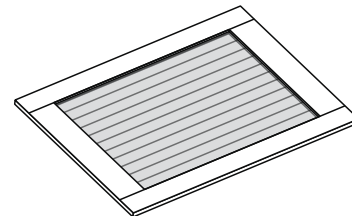
x2

**26** 74.4\*27.2\*0.3cm

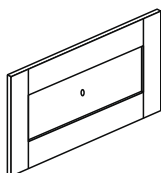
x1

**27** 59.1\*36.3\*1.5cm

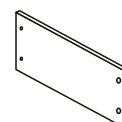
x2

**28** 43.3\*36.3\*1.5cm

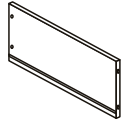
x2

**29** 15.4\*36.3\*1.5cm

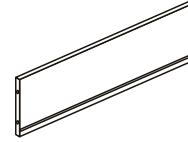
x1

**30** 30\*9.5\*1.2cm

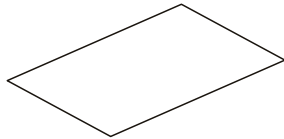
x2

**BOX-B****BOX-B****31** 30\*9.5\*1.2cm

x2

**32** 31.2\*9.5\*1.2cm

x2

**33** 29.6\*32\*0.3cm

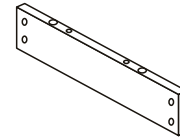
x2

**34** 17\*3.8\*2.8cm

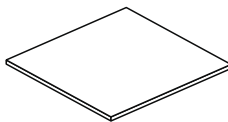
x4

**35** 16\*3.8\*2.8cm

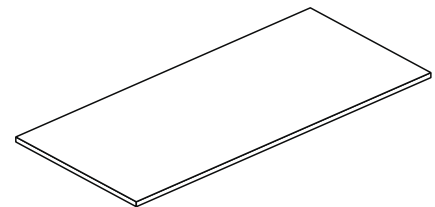
x2

**36** 30\*6\*1.5cm

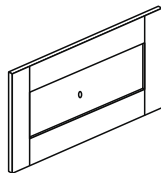
x2

**39** 35\*35.3\*1.5cm

x2

**40** 73.5\*35.3\*1.5cm

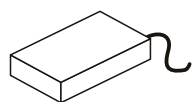
x1

**41** 15.4\*36.3\*1.5cm

x1

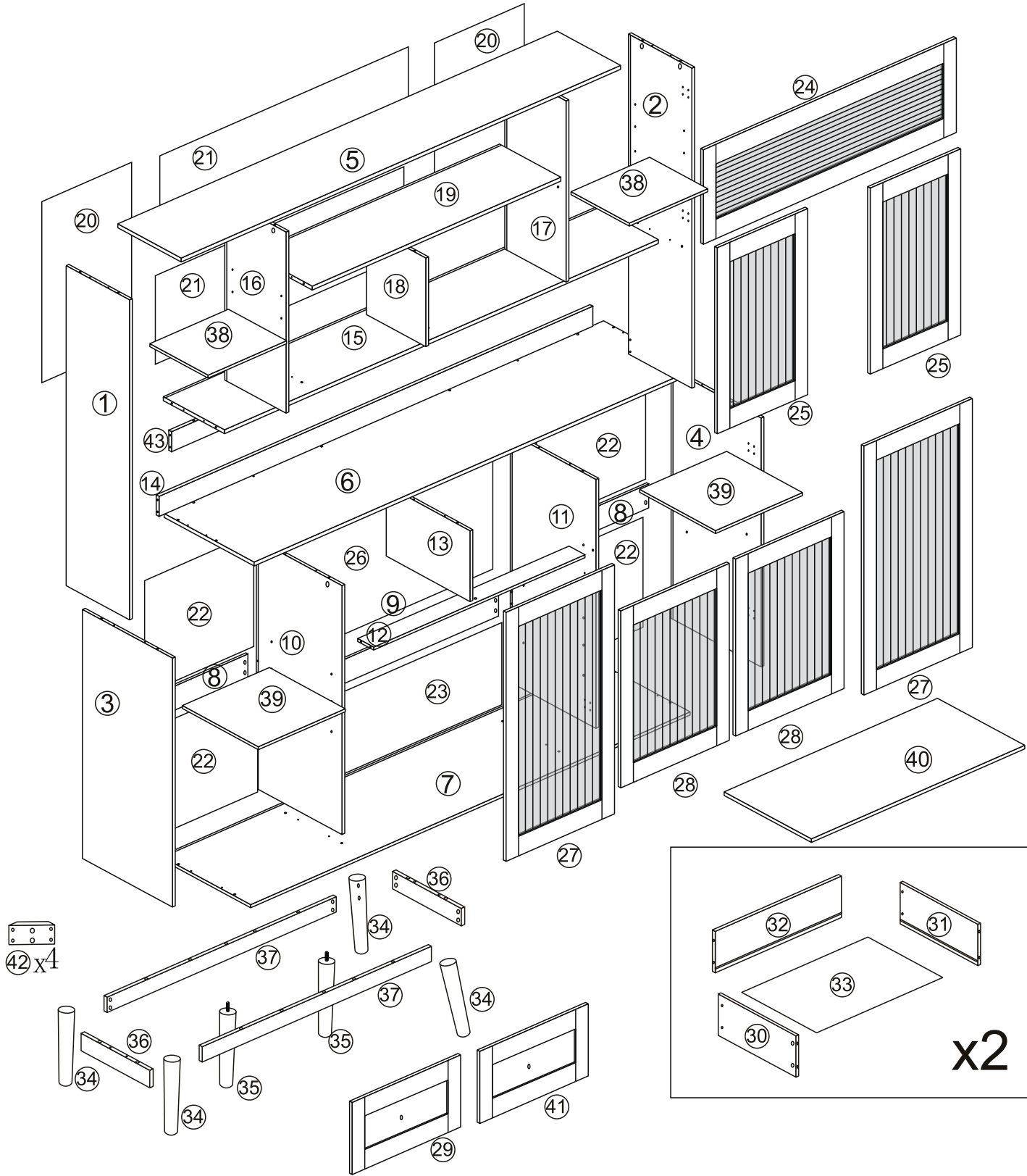
**42** 9.5\*6\*1.5cm

x4



Hardware Kit

# PANEL LAYOUT

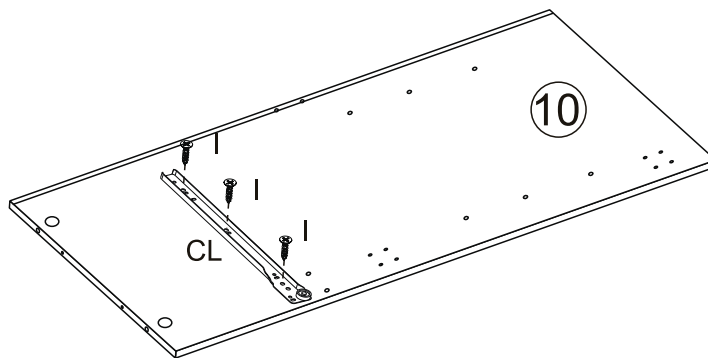
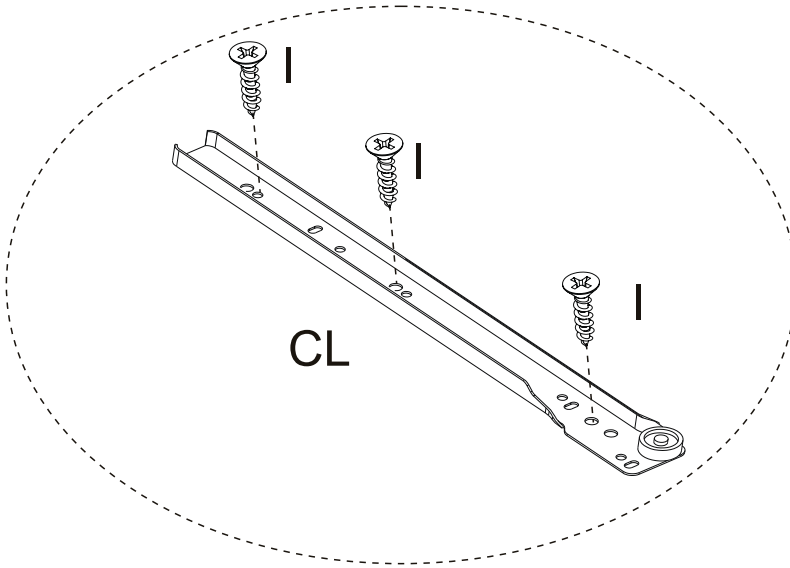


1

YOU WILL NEED

CLx1

lx3

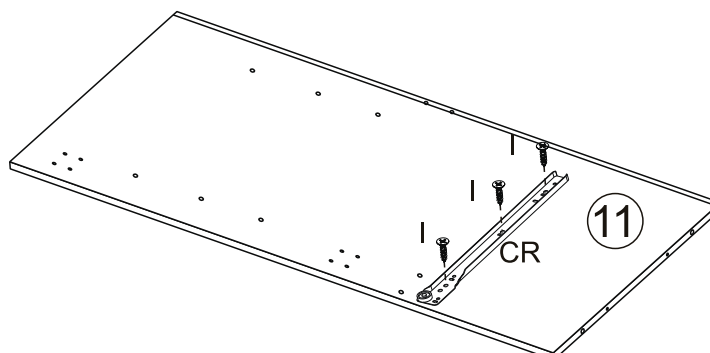
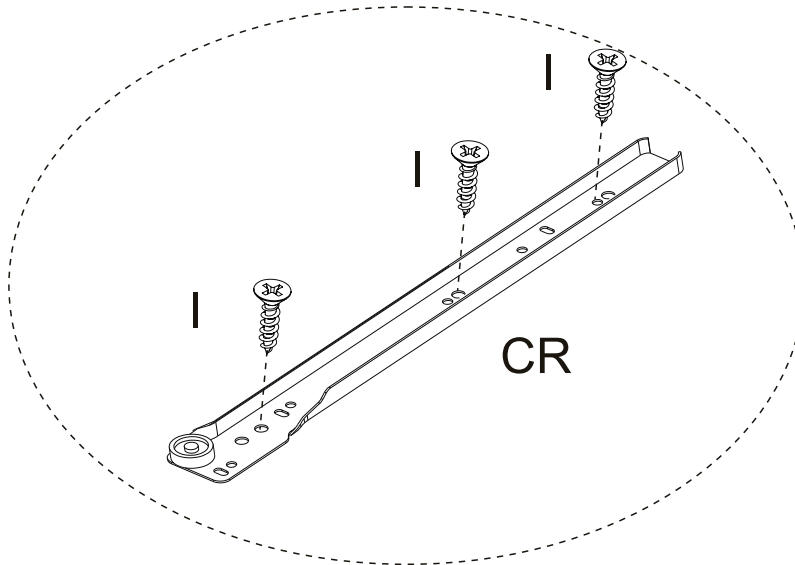


2

YOU WILL NEED

CRx1

lx3

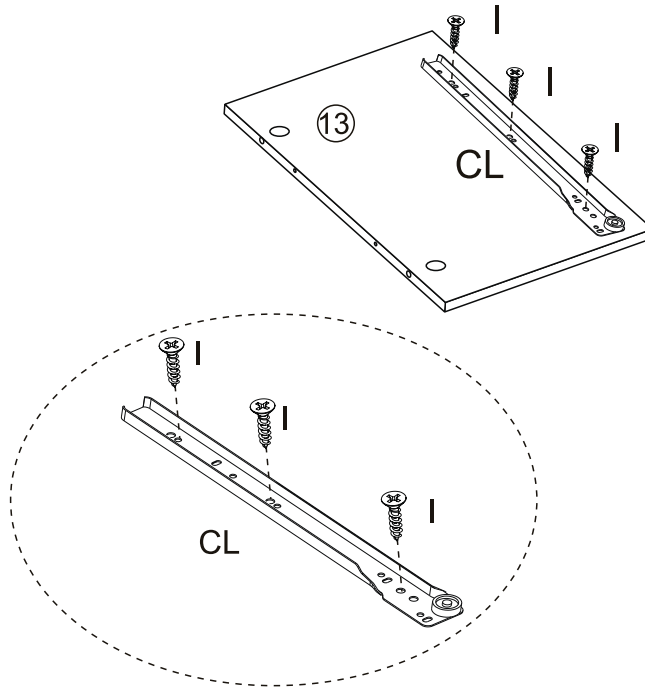


3

YOU WILL NEED

CLx1

lx3

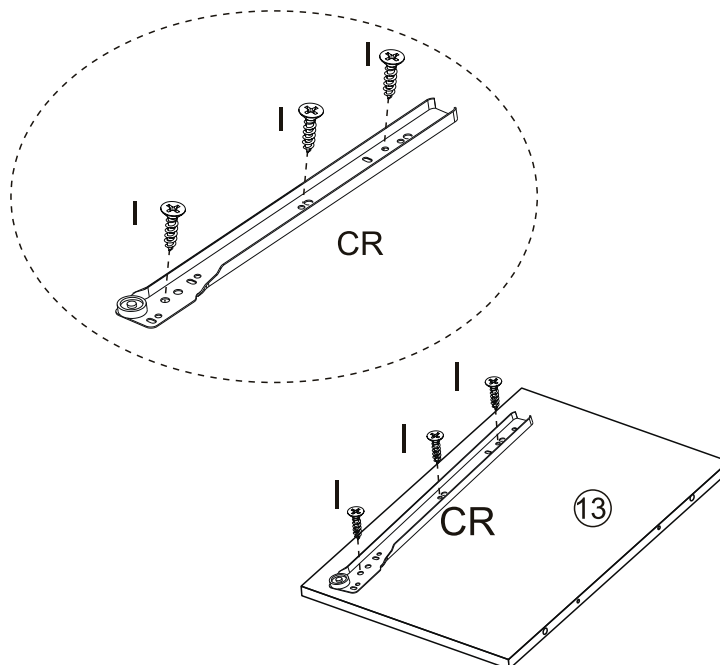


4

YOU WILL NEED

CRx1

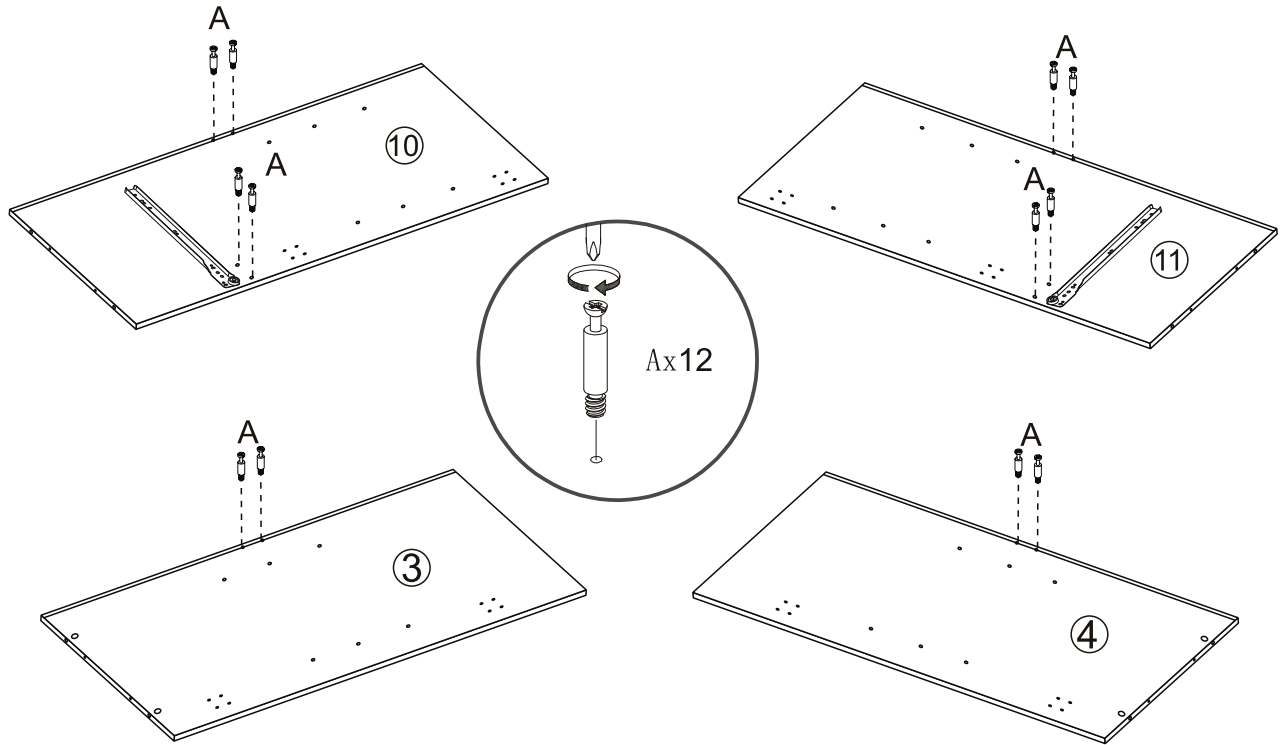
lx3



5

YOU WILL NEED

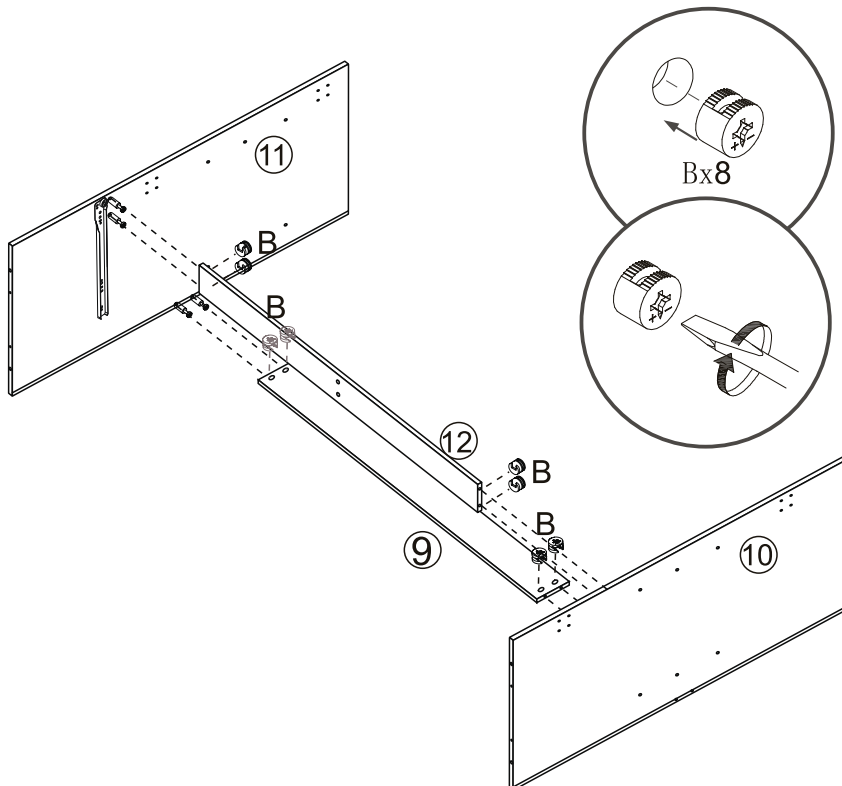
A x12



6

YOU WILL NEED

B x8

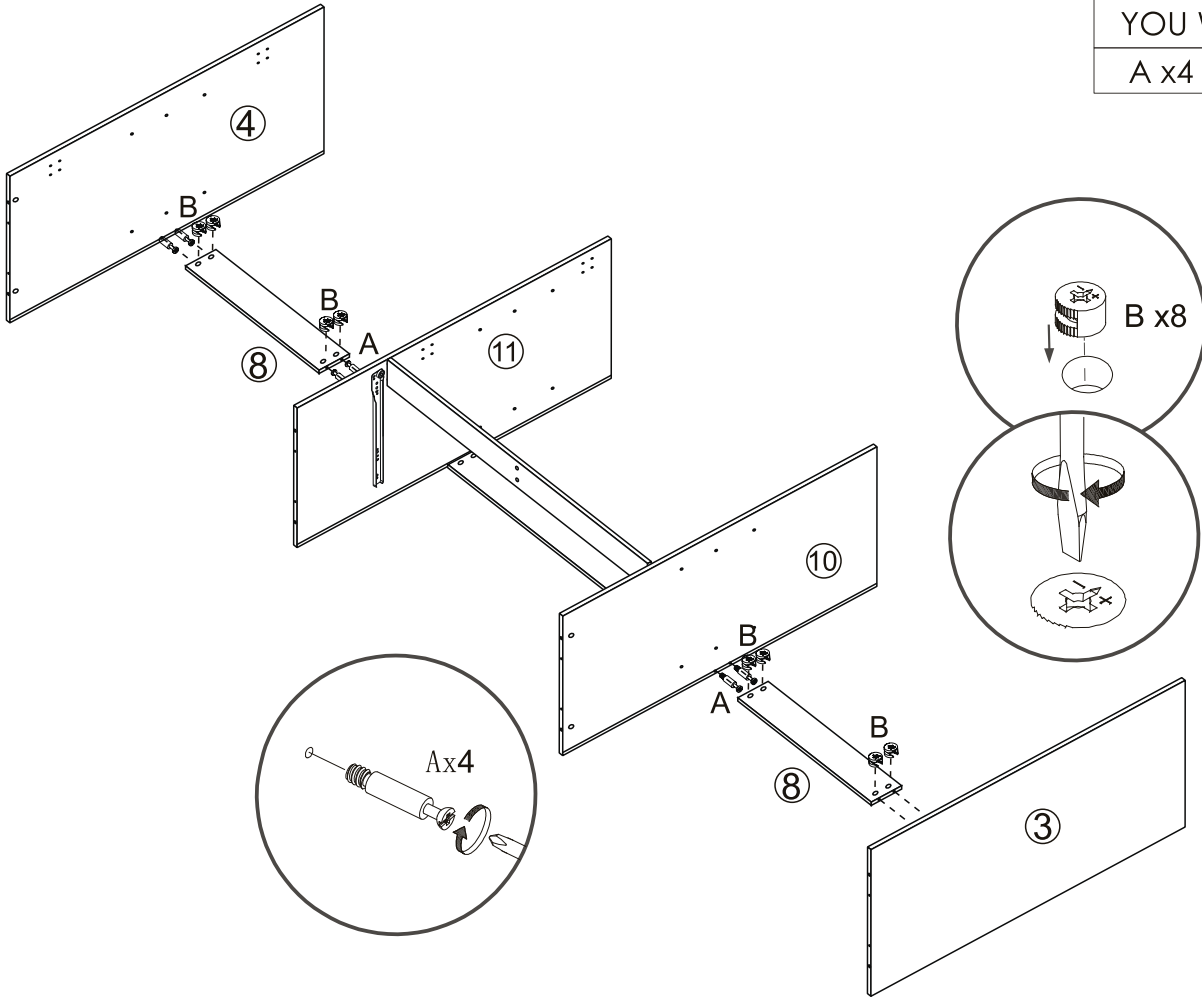


7

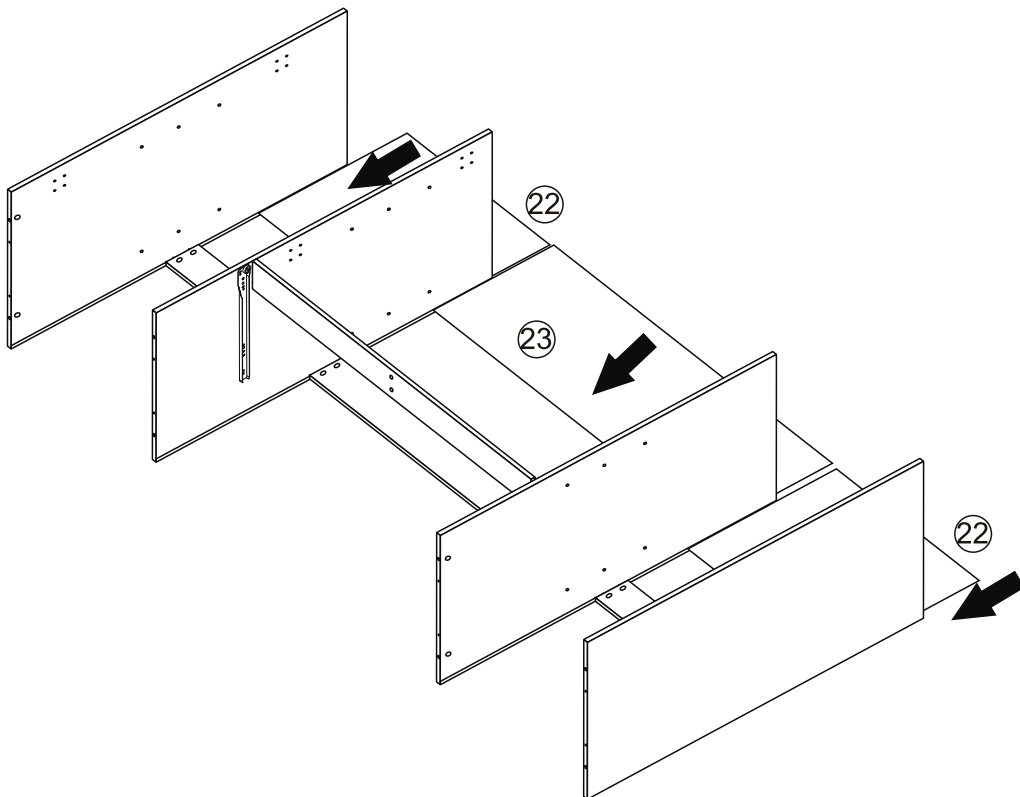
YOU WILL NEED

A x4

B x8



8

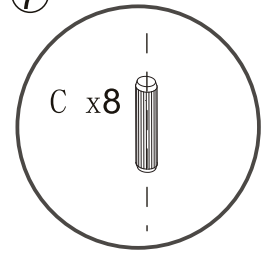
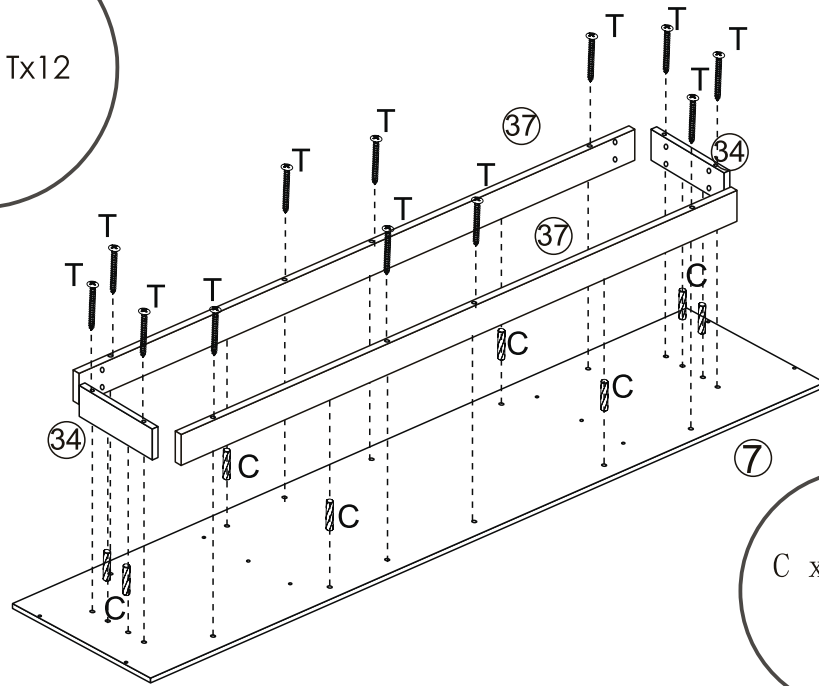
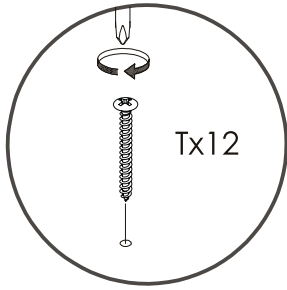


9

YOU WILL NEED

C x8

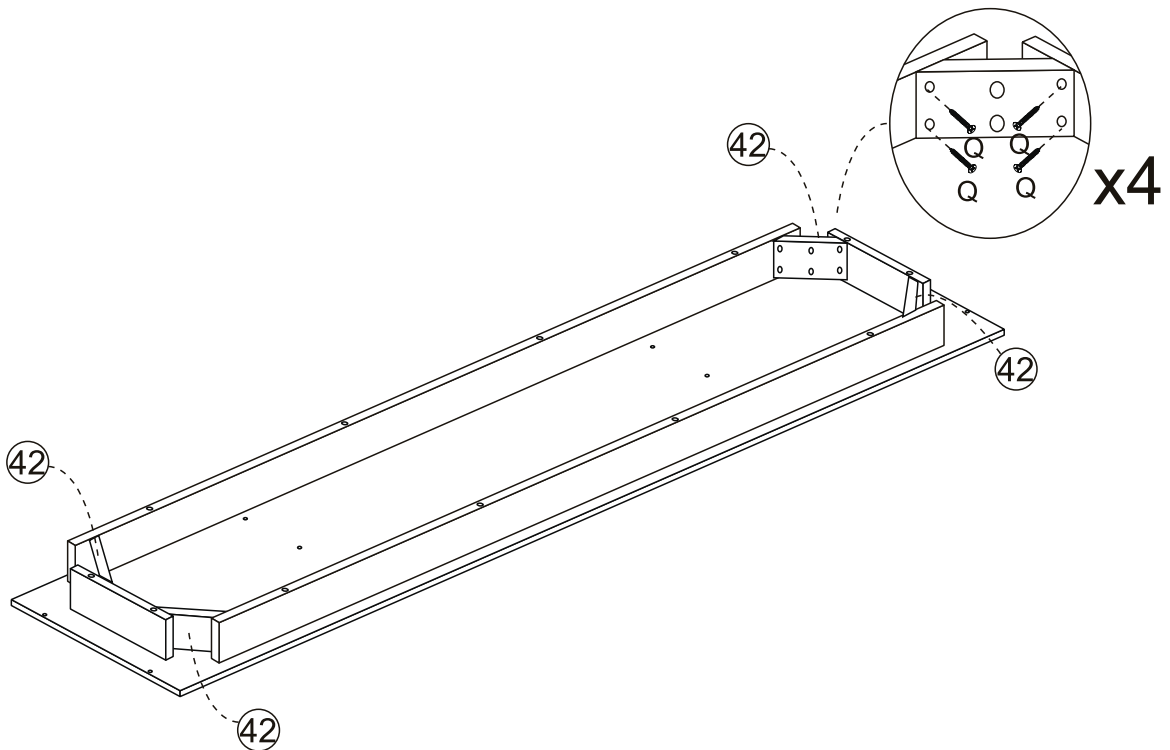
T x12



10

YOU WILL NEED

Q x16



11

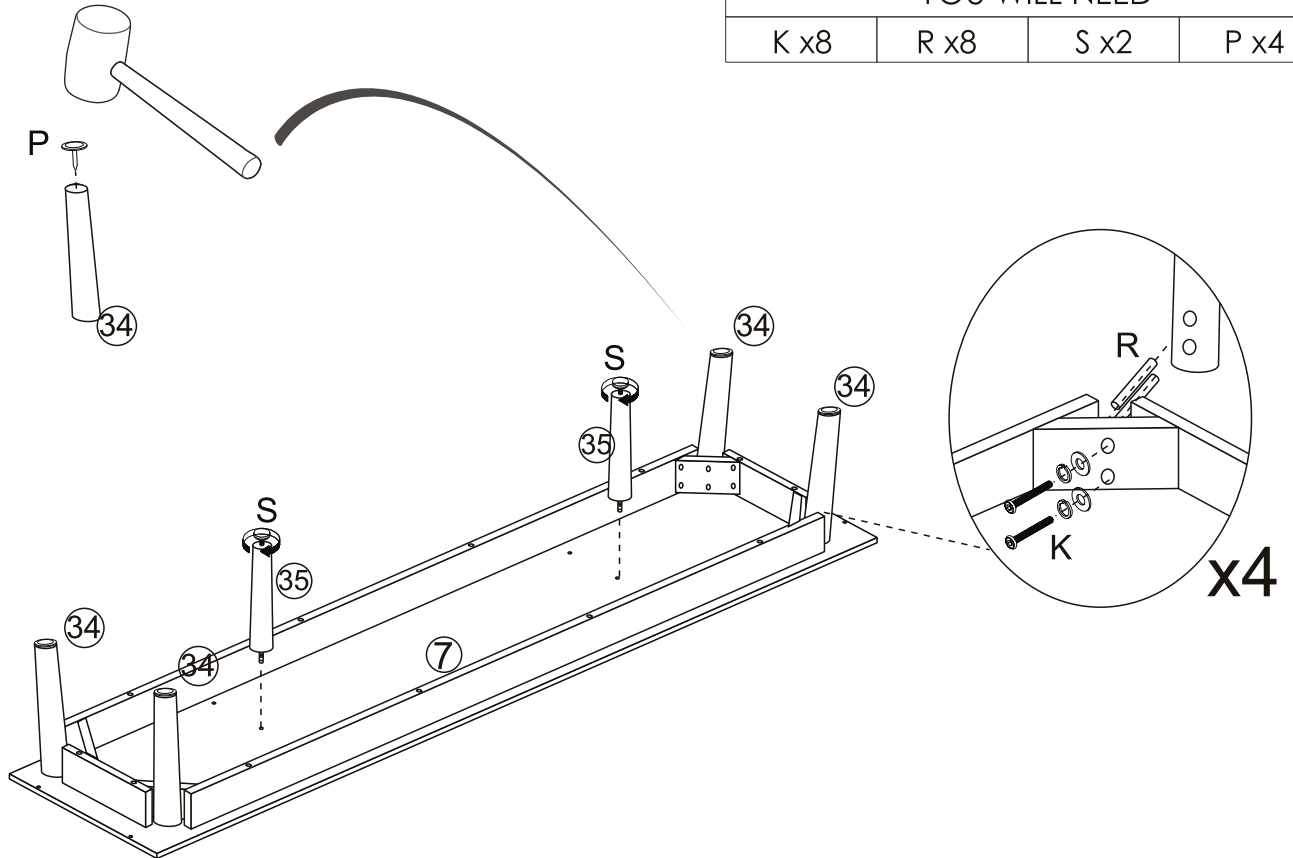
YOU WILL NEED

K x8

R x8

S x2

P x4

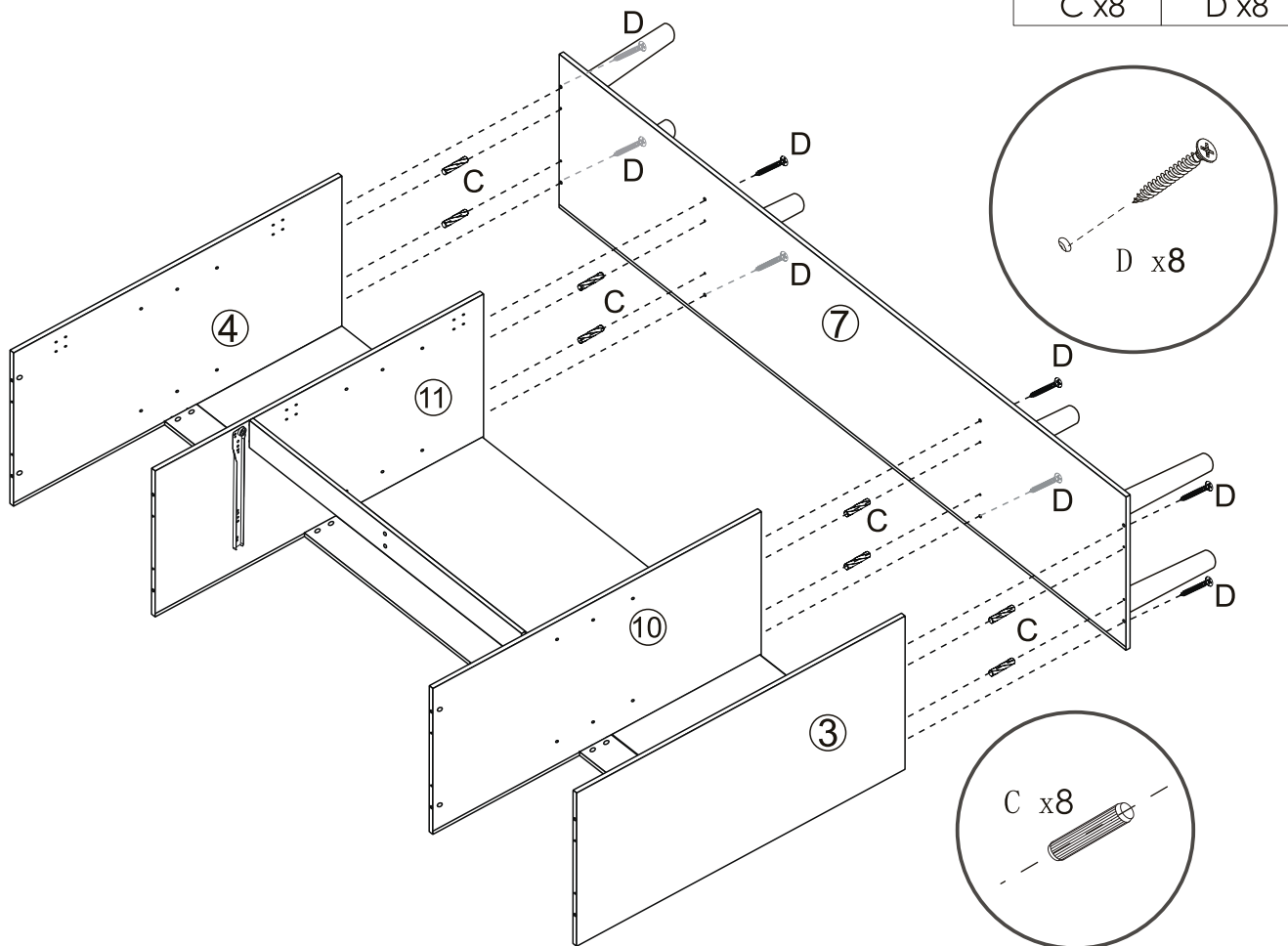


12

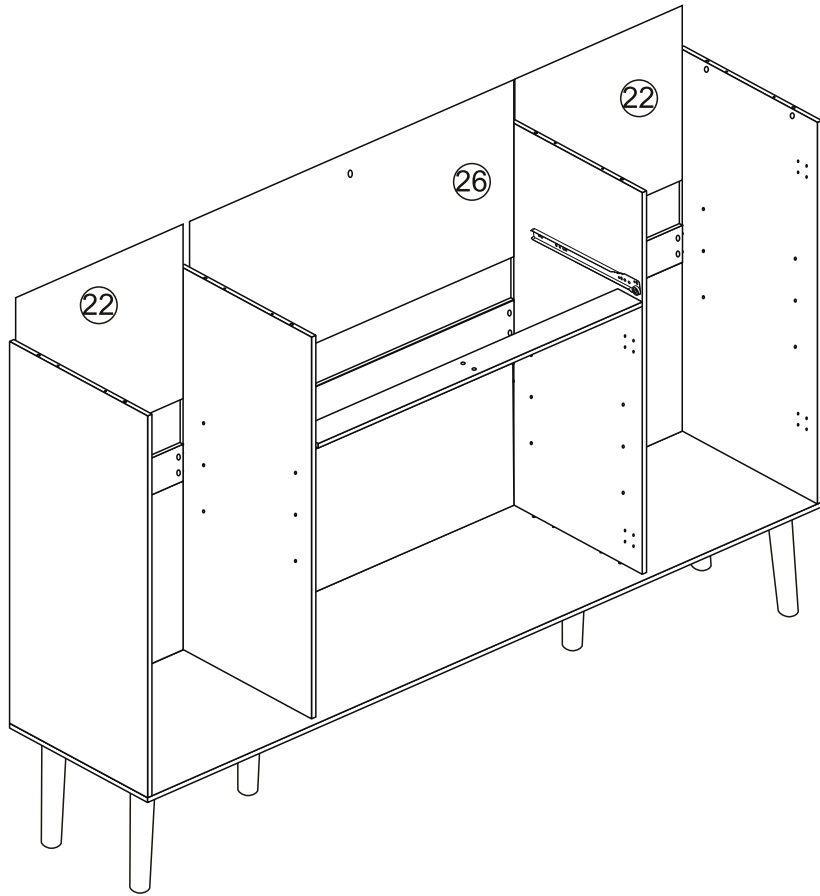
YOU WILL NEED

C x8

D x8



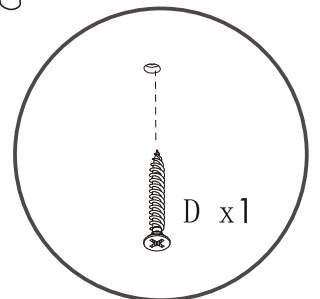
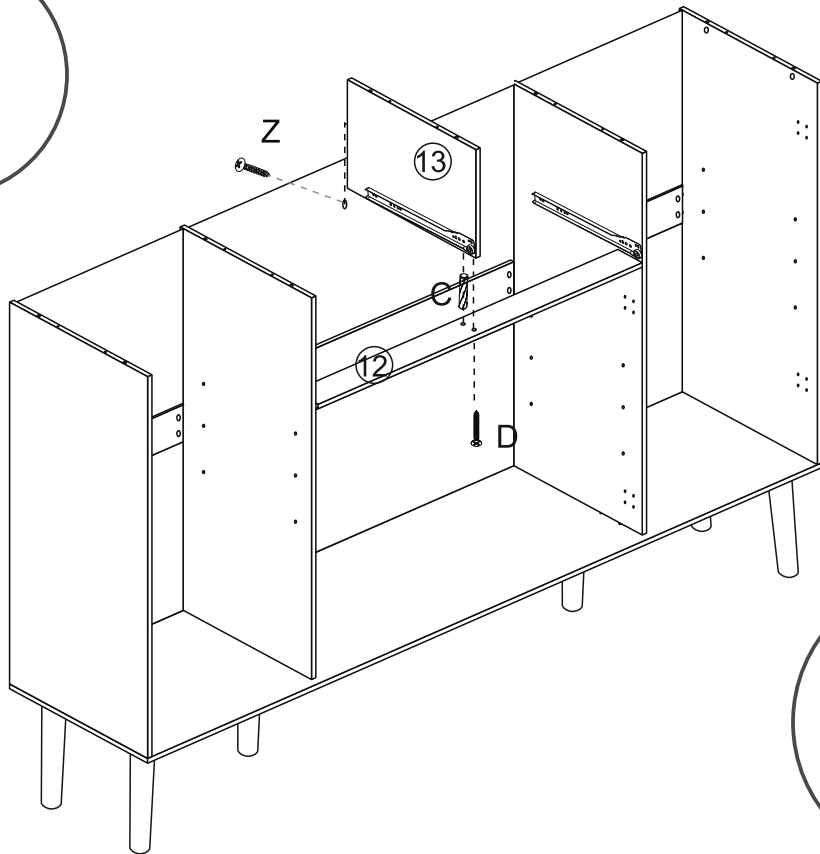
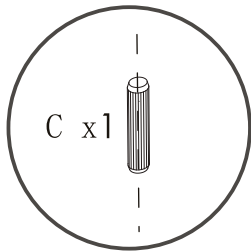
13



14

YOU WILL NEED

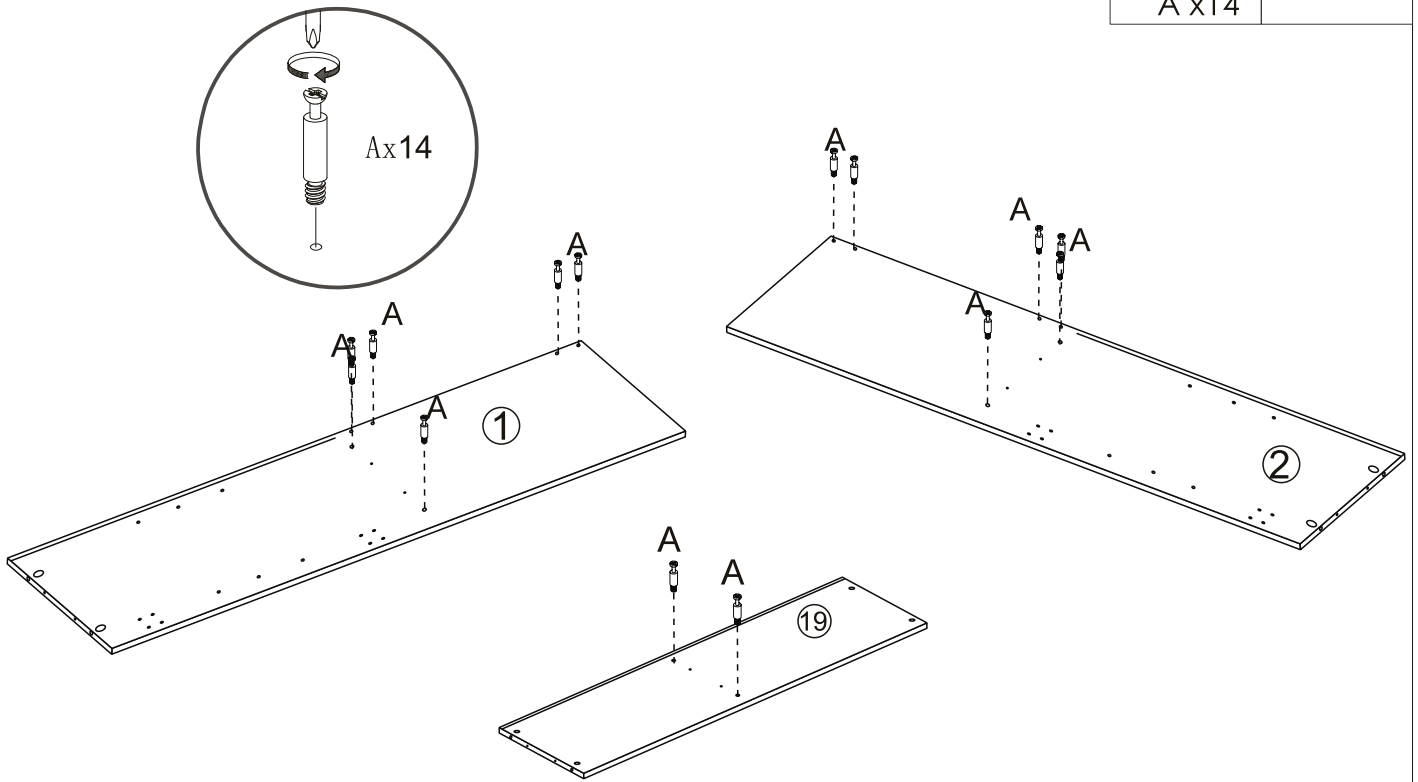
C x1	D x1
Z x1	



15

YOU WILL NEED

A x14



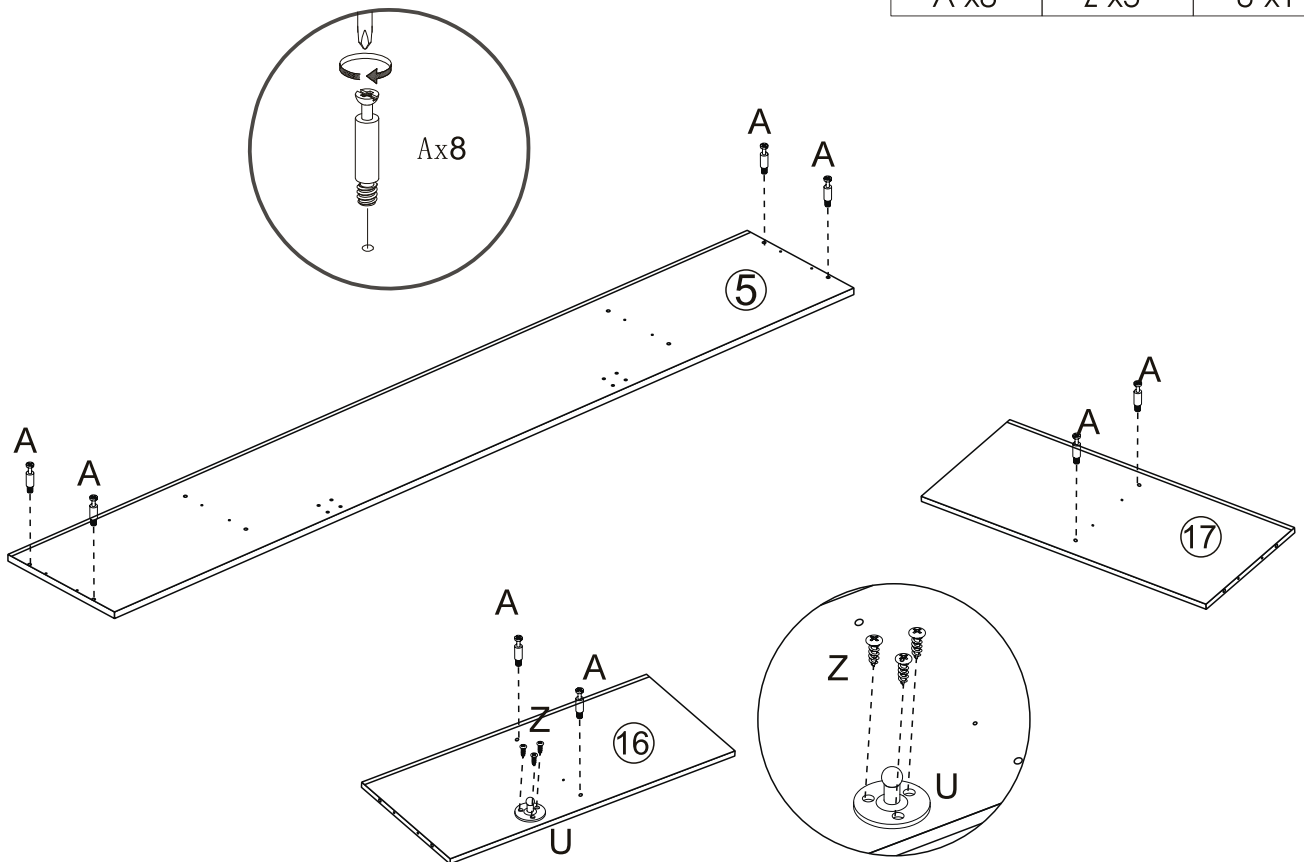
16

YOU WILL NEED

A x8

Z x3

U x1

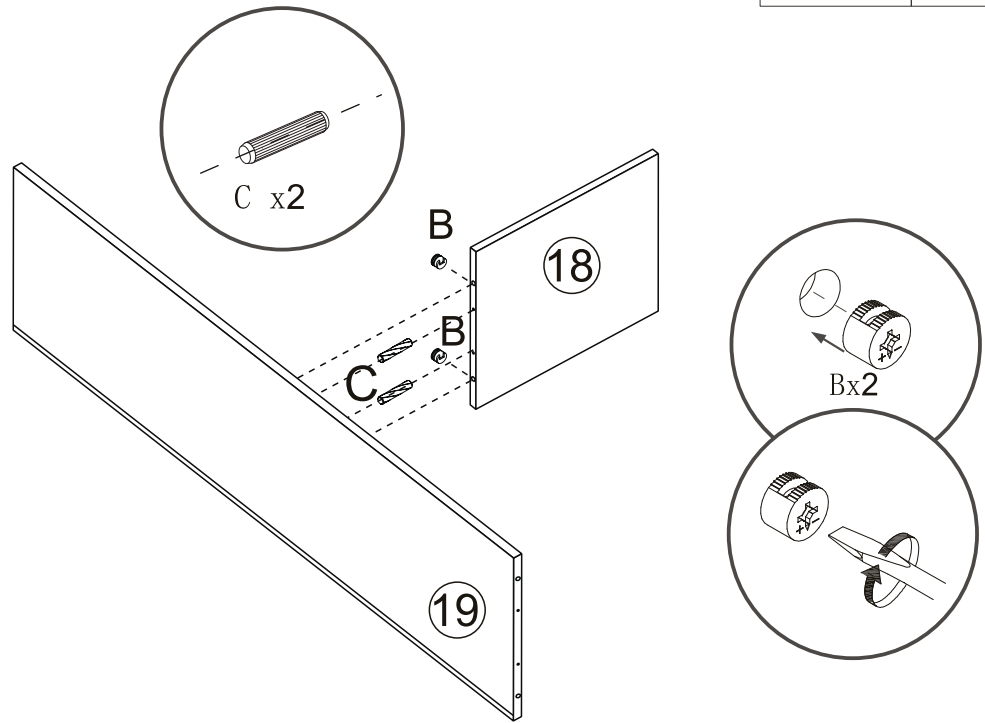


17

YOU WILL NEED

B x 2

C x 2

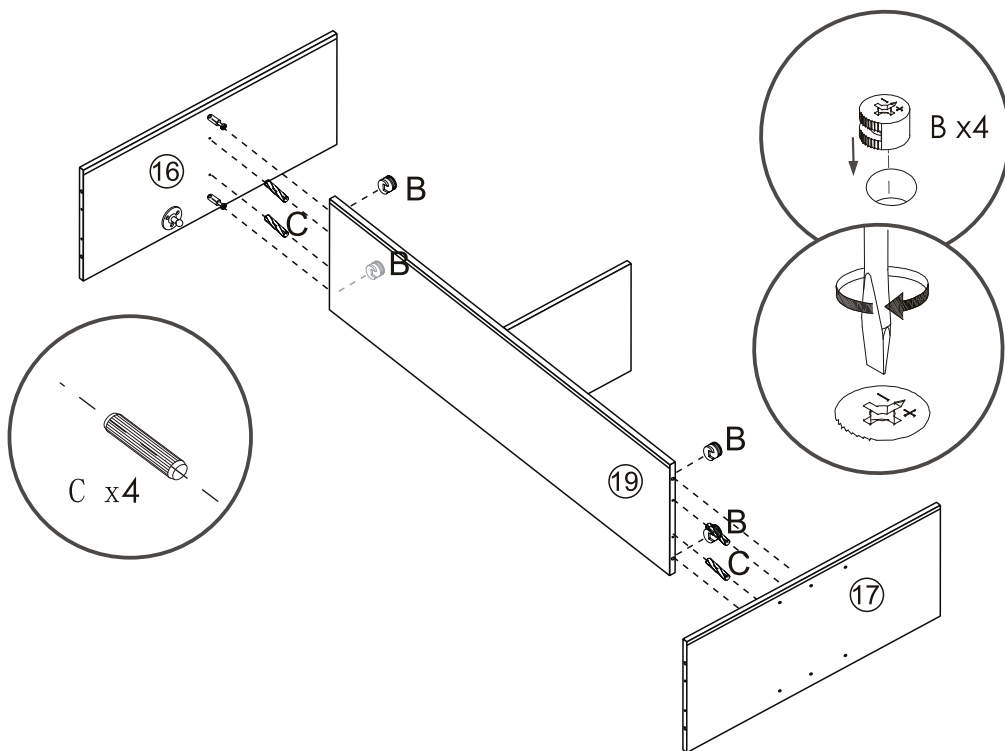


18

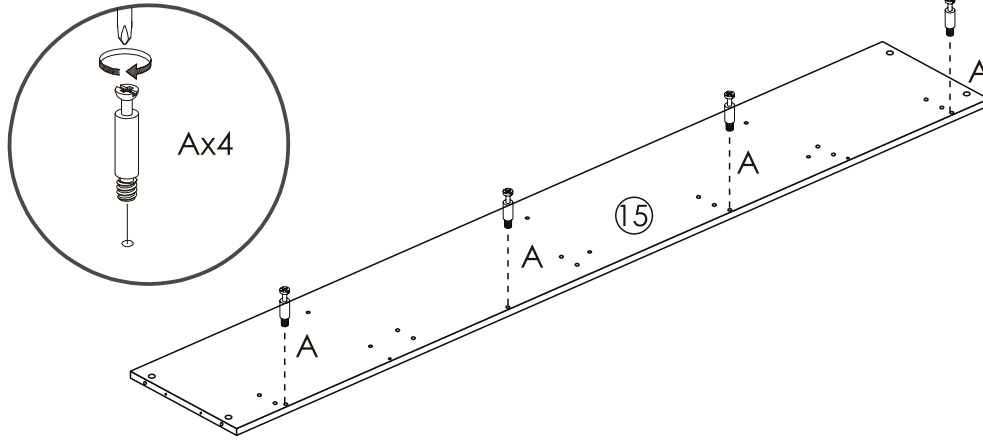
YOU WILL NEED

B x 4

C x 4



19



YOU WILL NEED

A x4

20

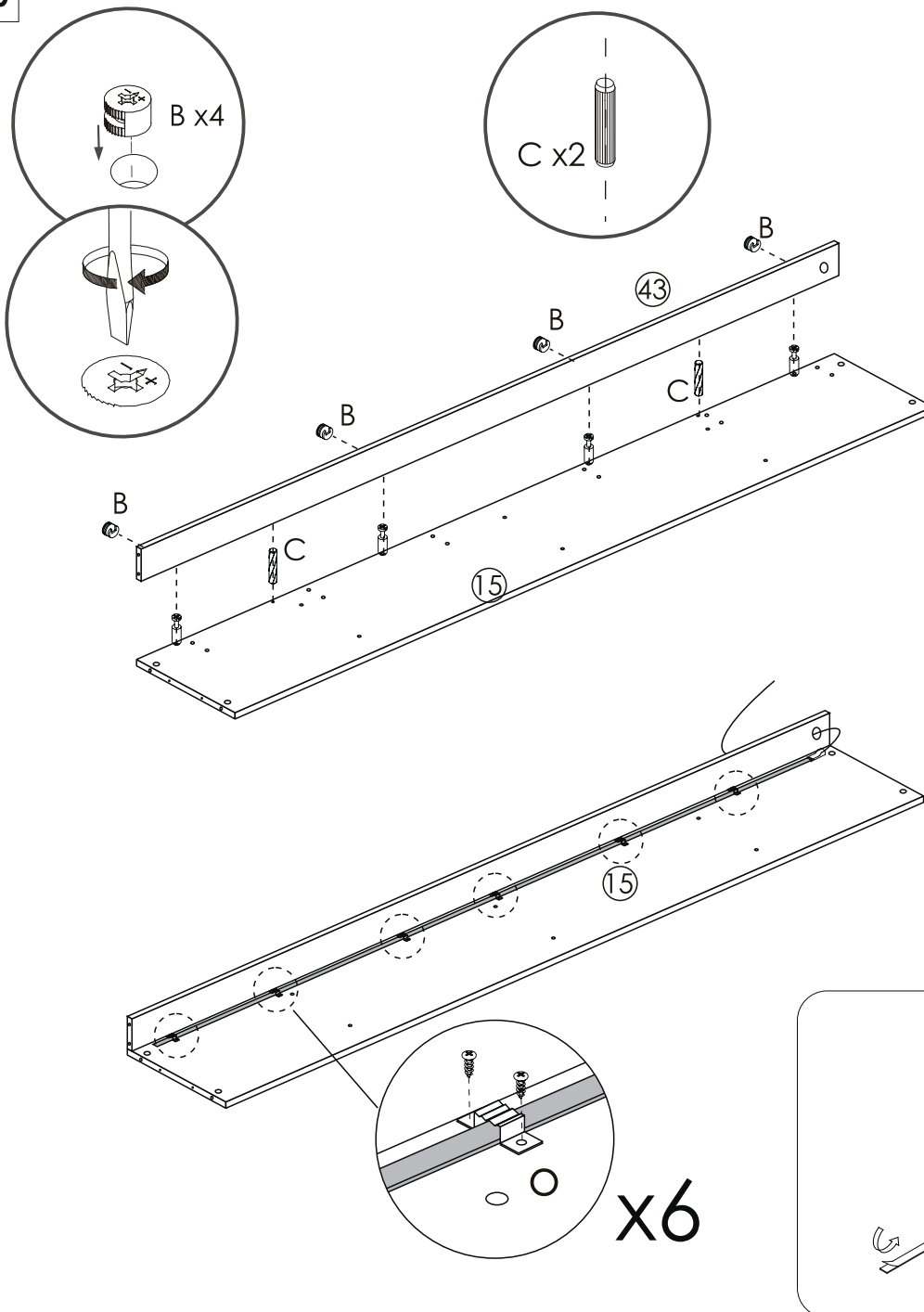
YOU WILL NEED

B x4

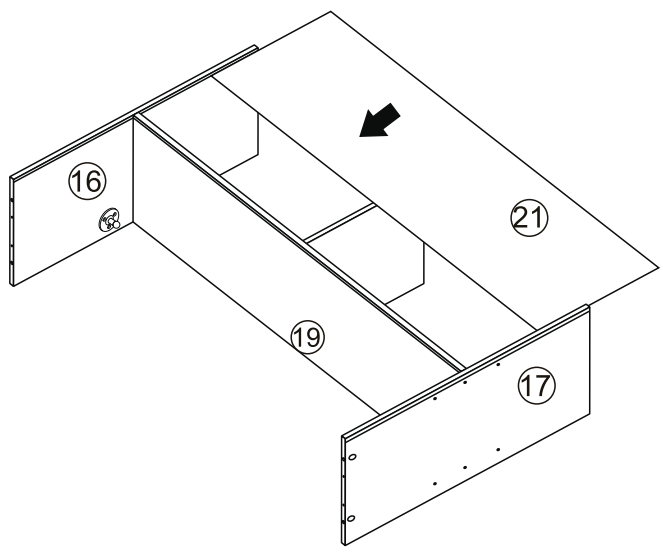
C x2

O x6

BB x1

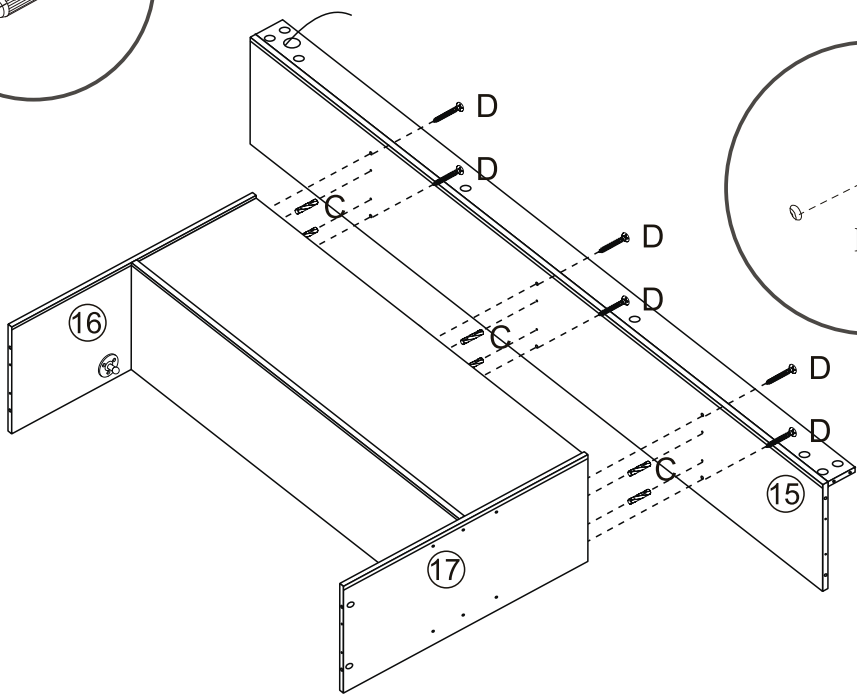
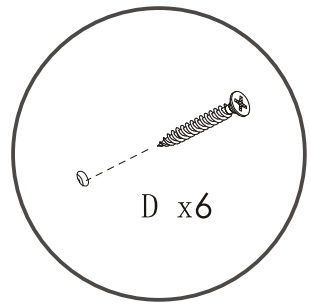
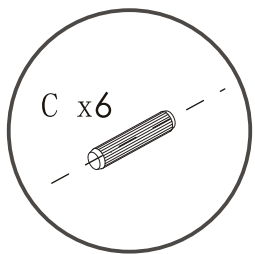


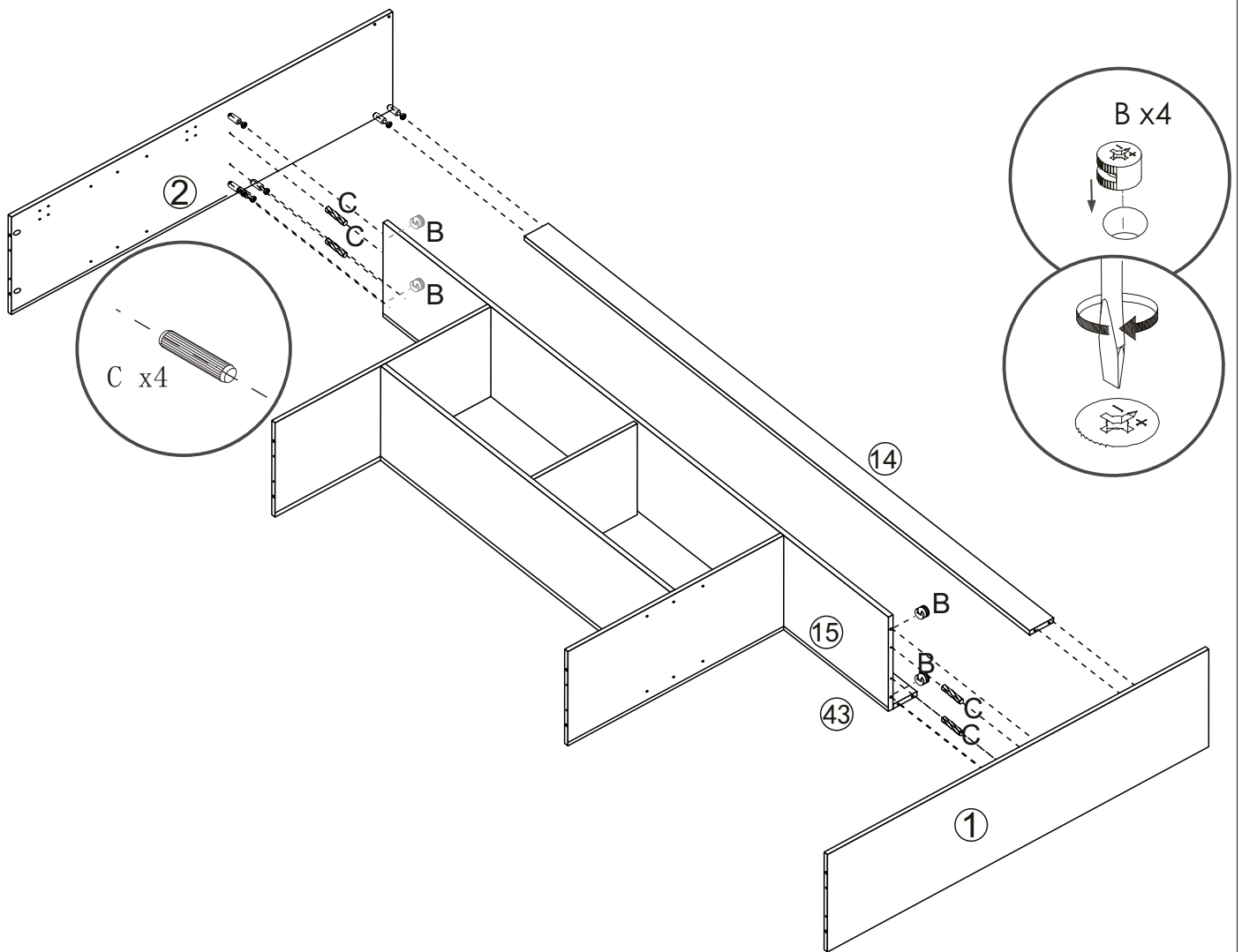
21



22

YOU WILL NEED	
C x6	D x6

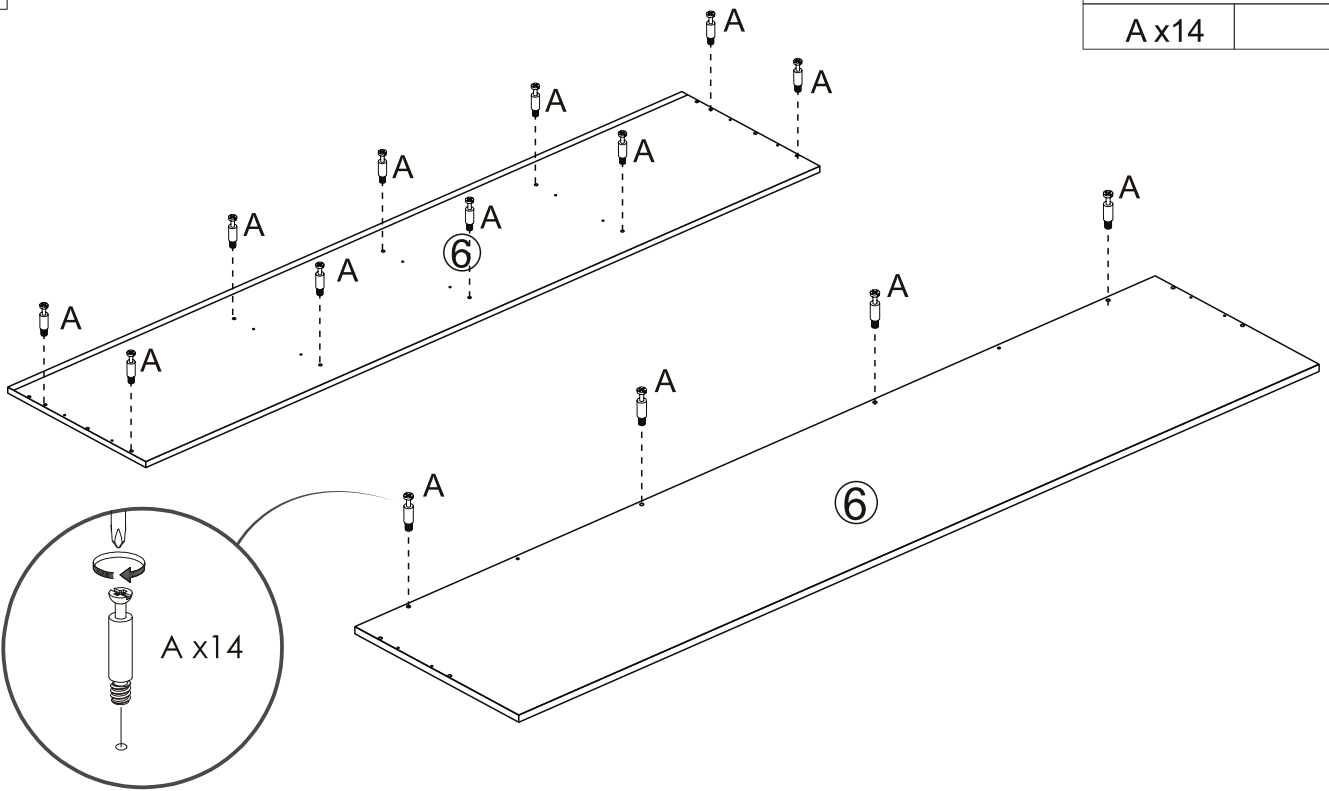




24

YOU WILL NEED

A x14



25

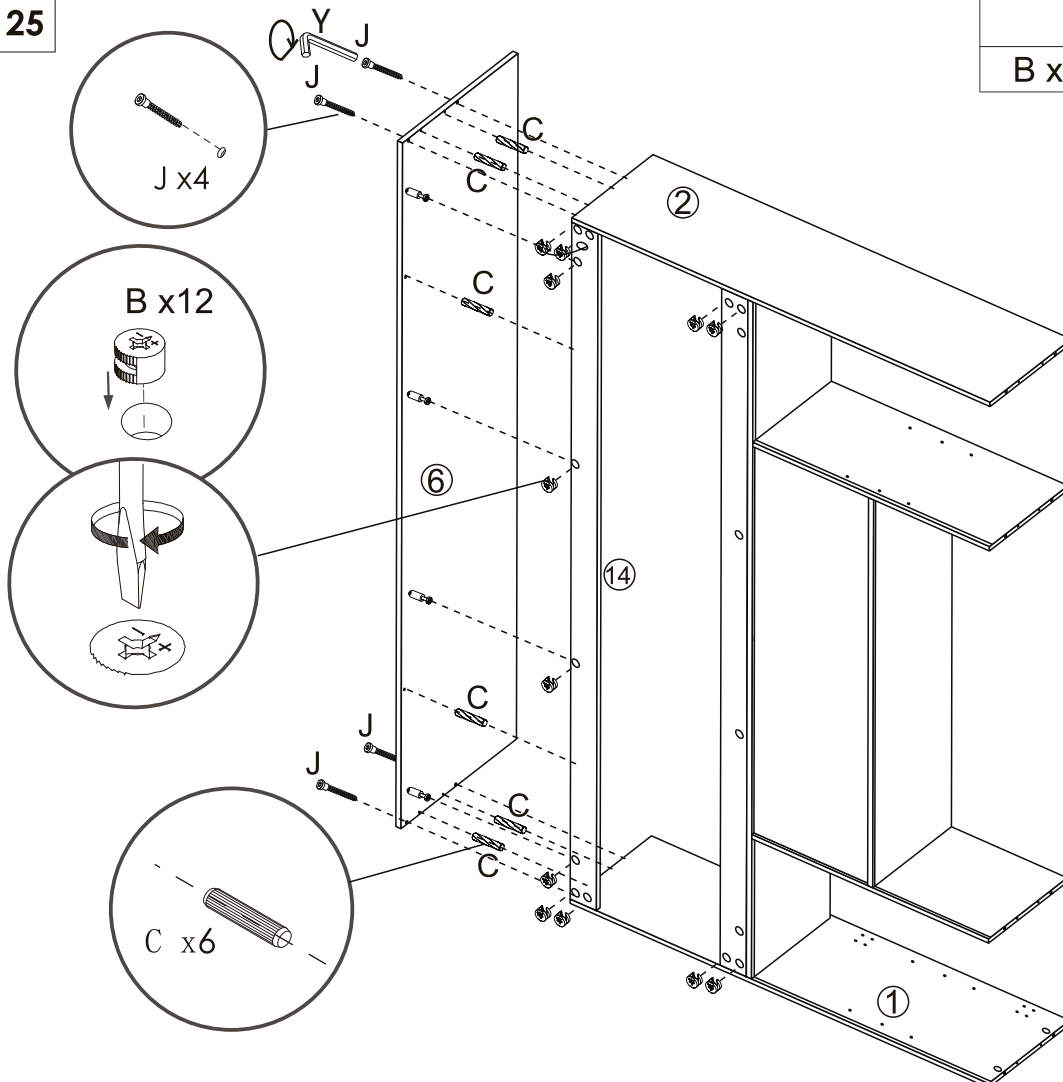
YOU WILL NEED

B x12

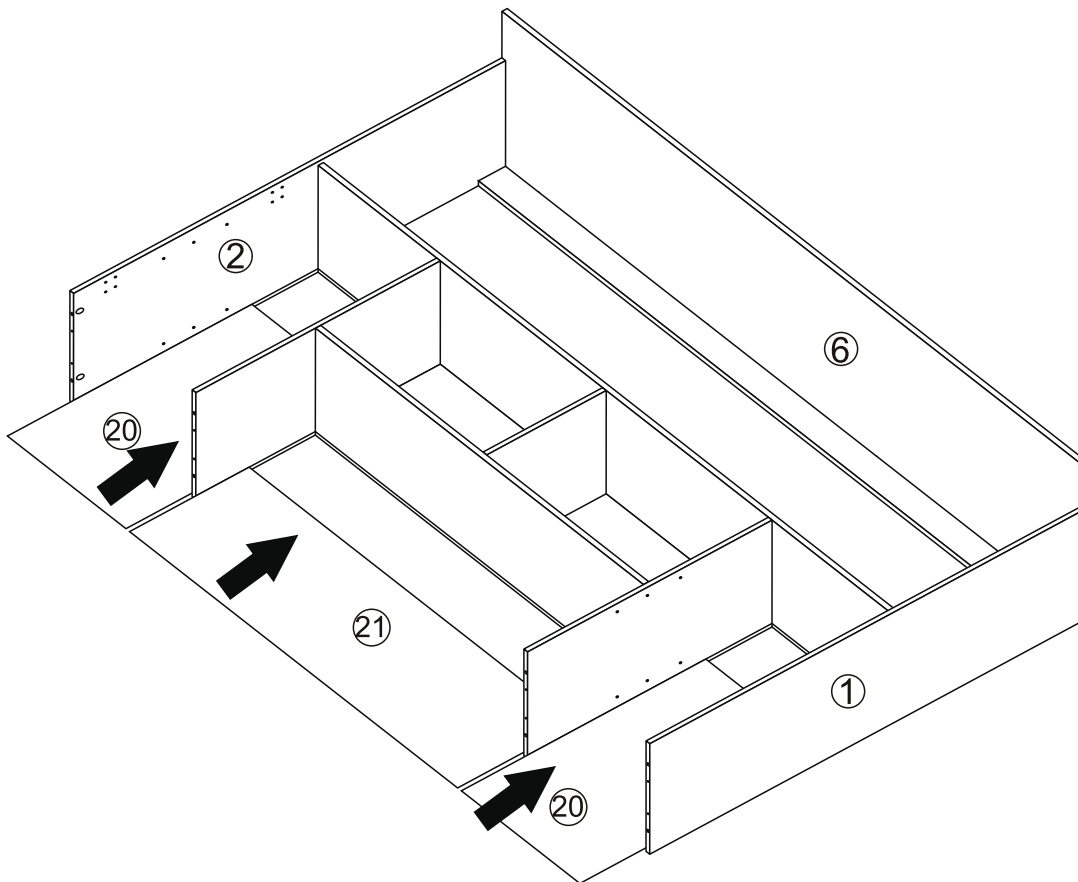
C x6

J x4

Y x1

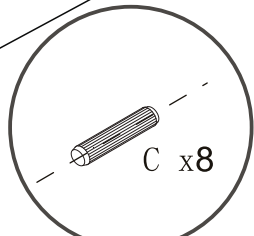
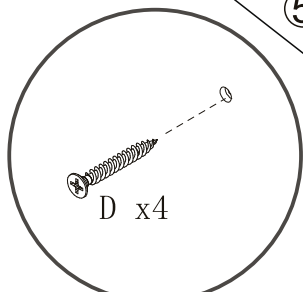
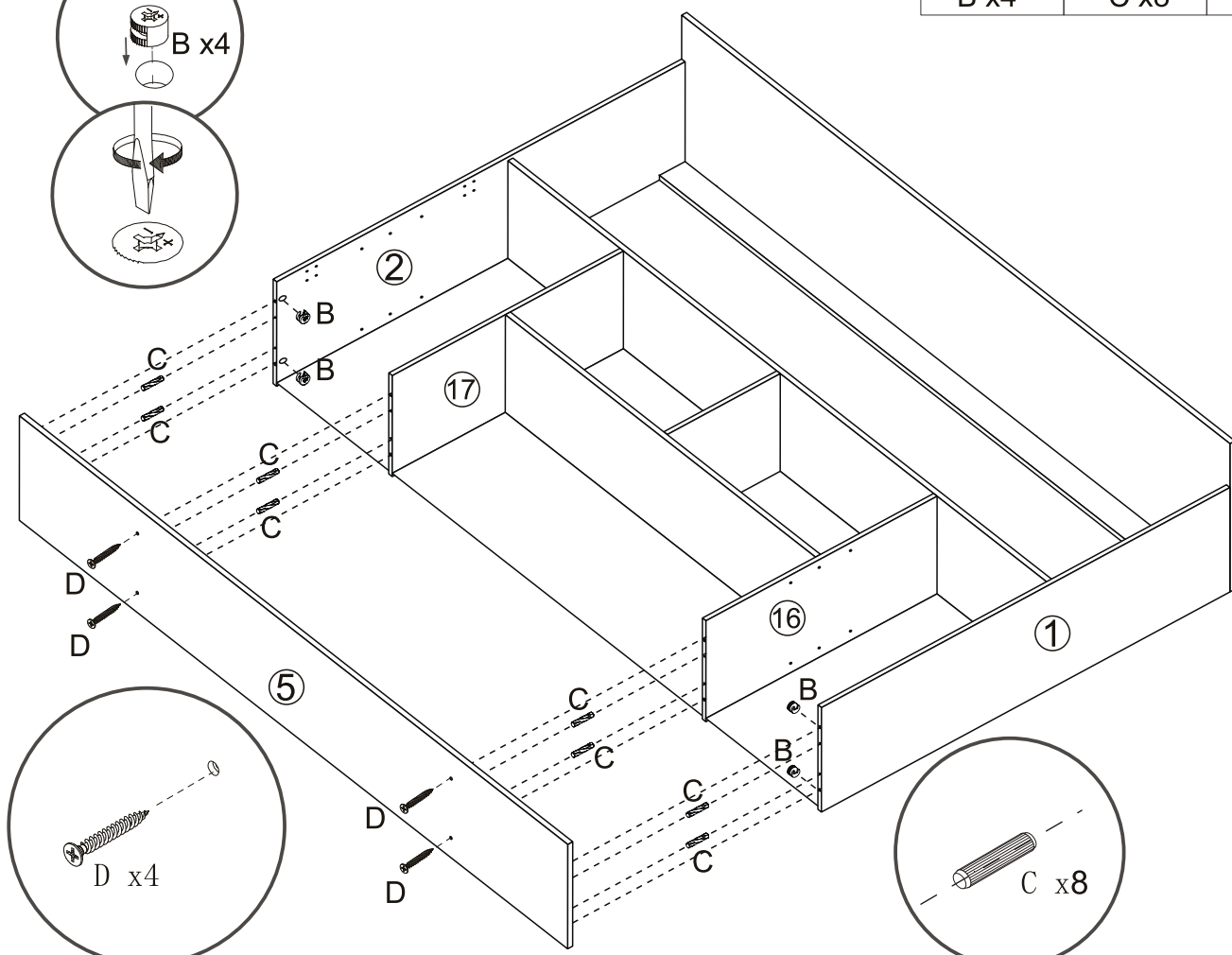
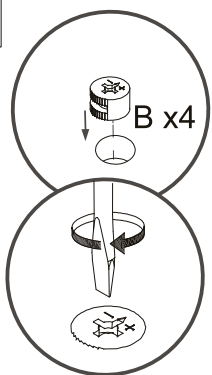


26



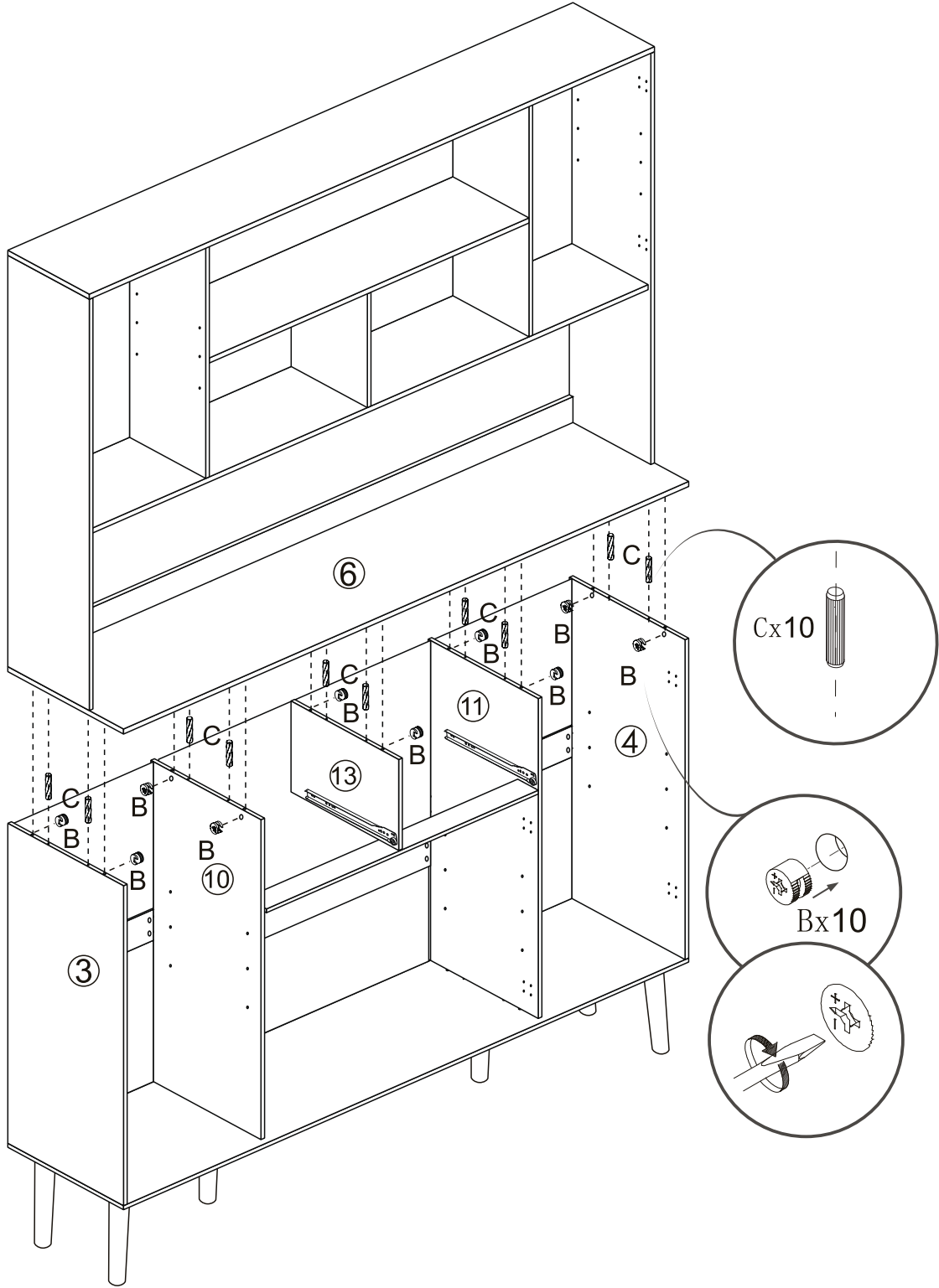
27

YOU WILL NEED		
B x4	C x8	D x4



B x10

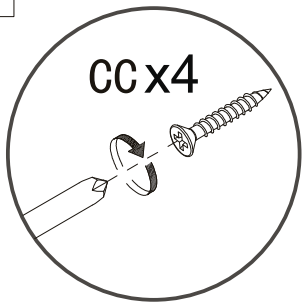
C x10



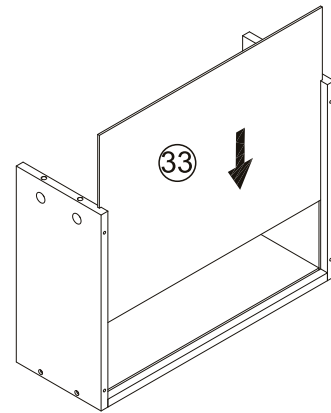
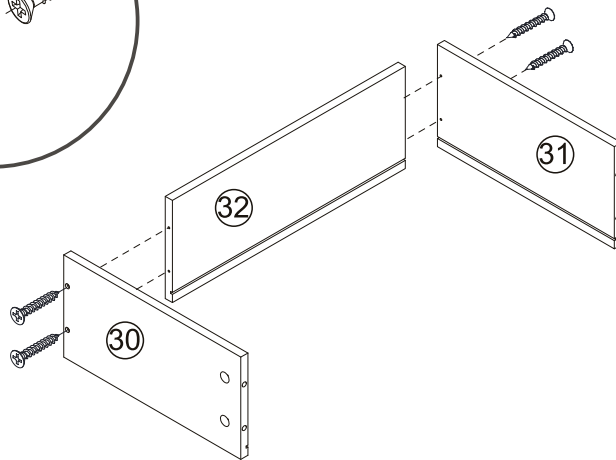
29

YOU WILL NEED

CC x 8



CC x 4



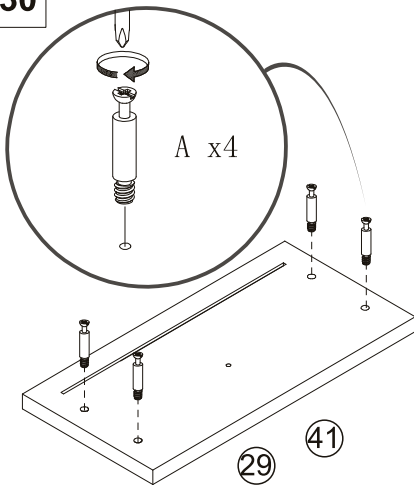
x2

30

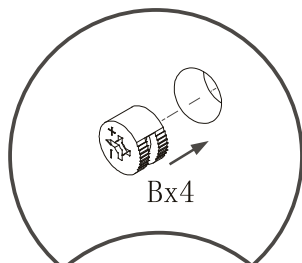
YOU WILL NEED

A x 8

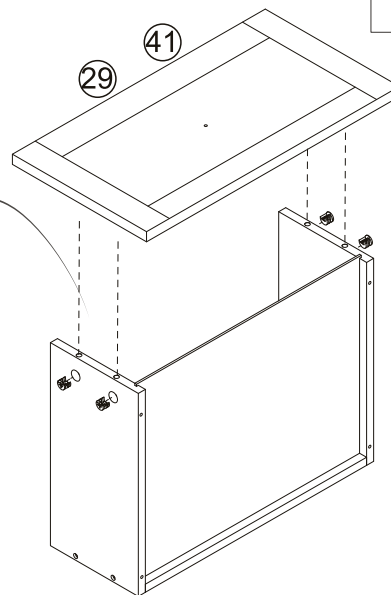
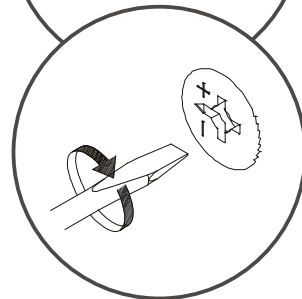
B x 8



A x 4



B x 4



x2

31

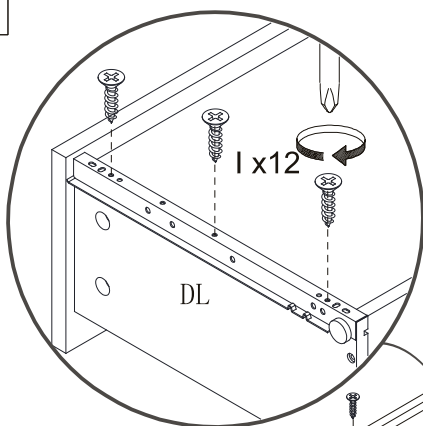
YOU WILL NEED

I x 12

(ØL) x 2

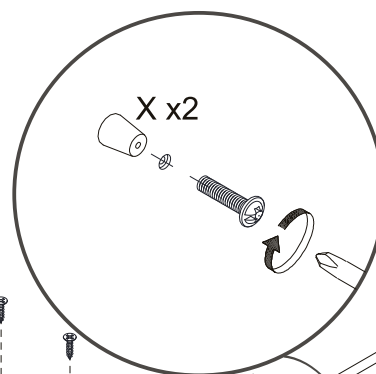
X x 2

(ØR) x 2

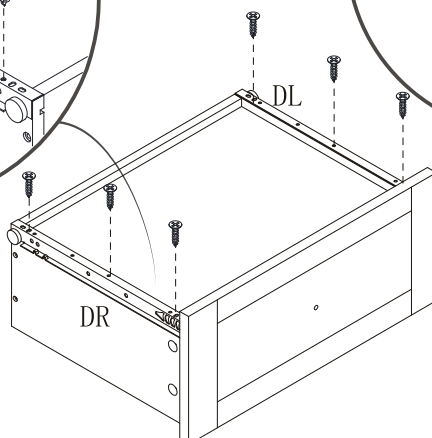


I x 12

DL

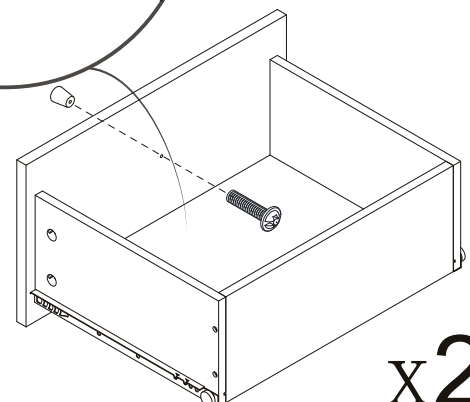


X x 2



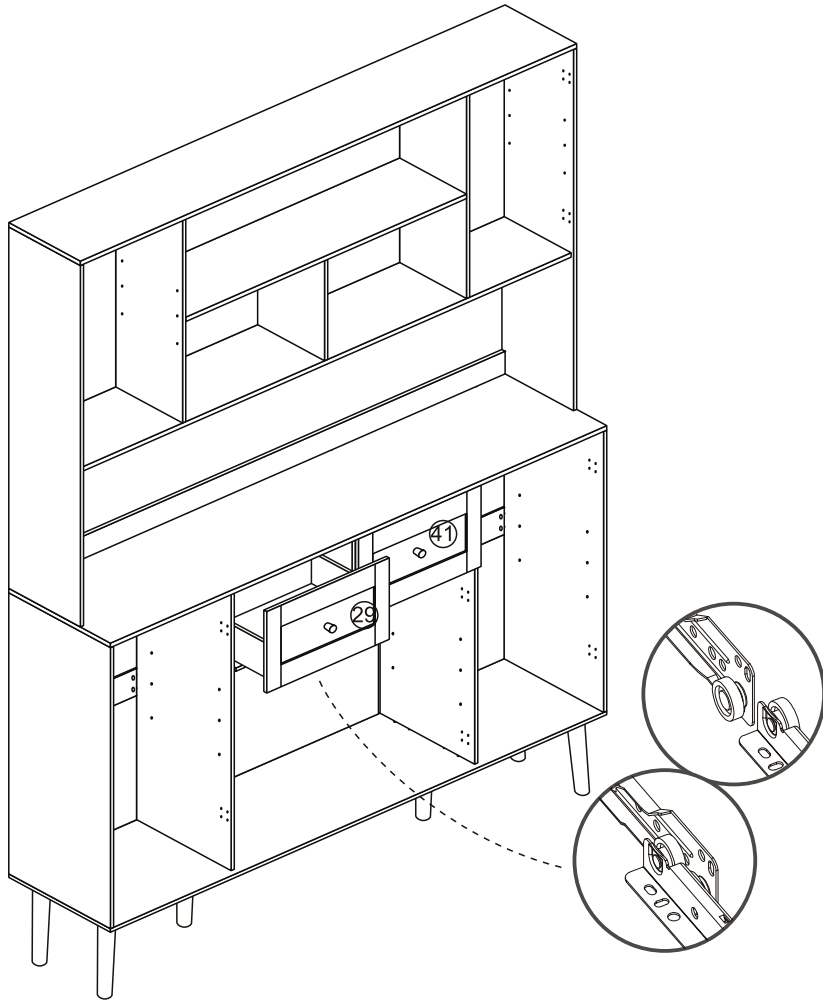
DL

DR



x2

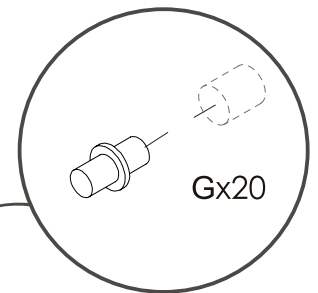
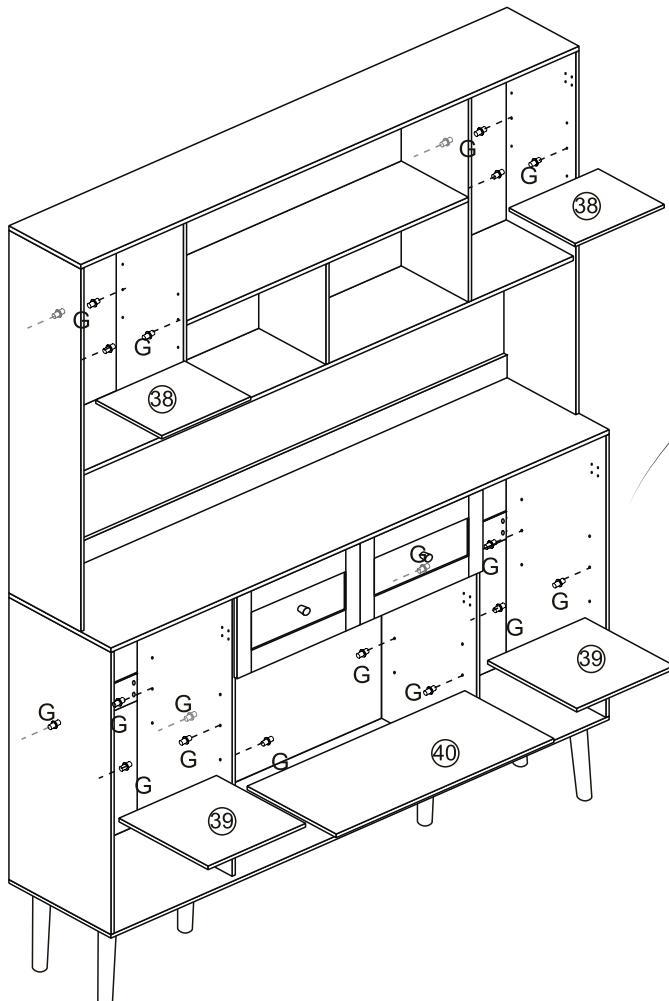
32



33

YOU WILL NEED

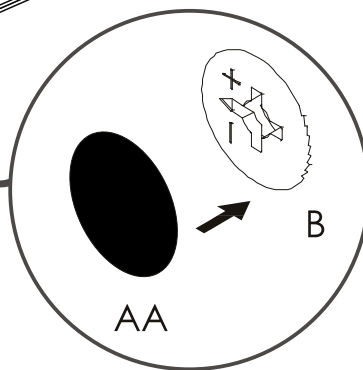
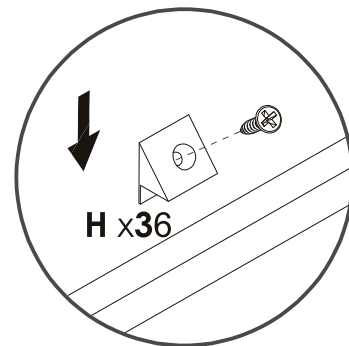
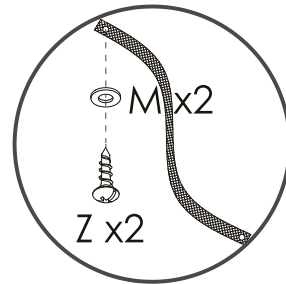
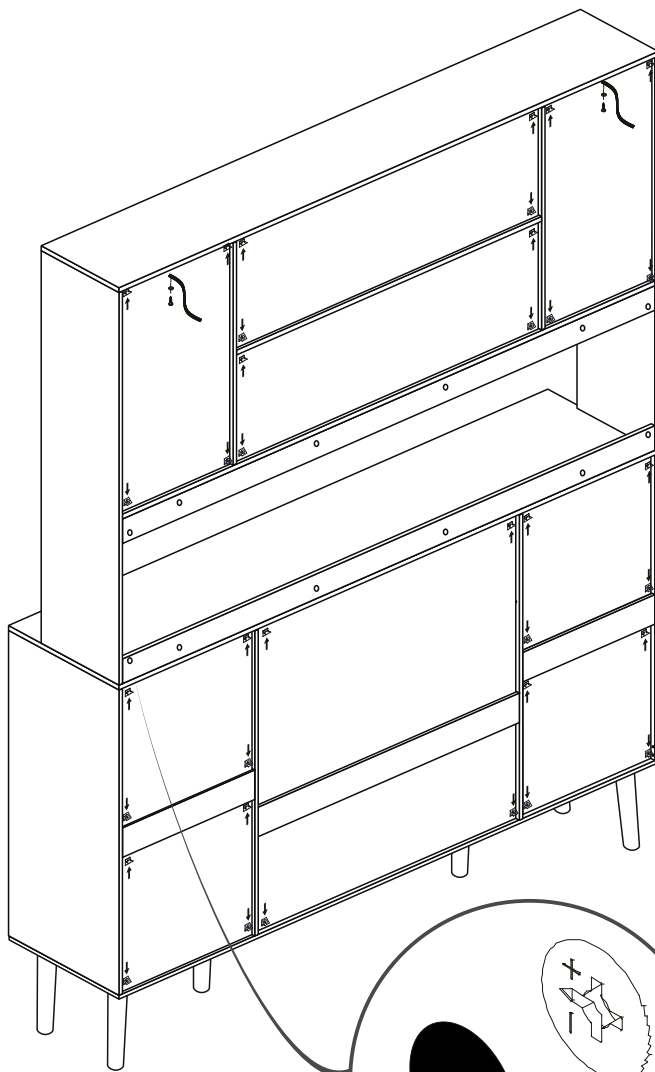
Gx20



YOU WILL NEED

H x 36	M x 2
--------	-------

Z x 2	AA x 20
-------	---------



To make the furniture surface look better, you can use the hole stickers "DD" to hide the holes of "B".

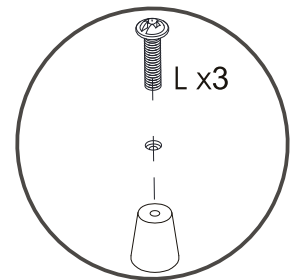
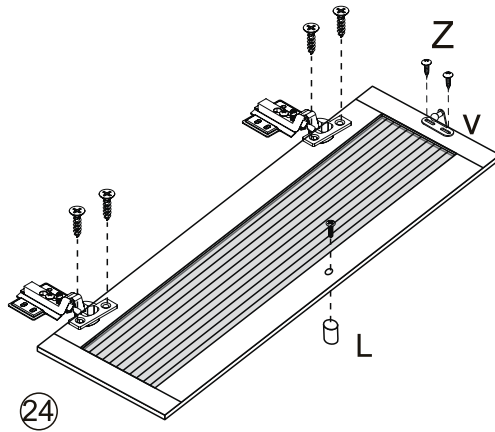
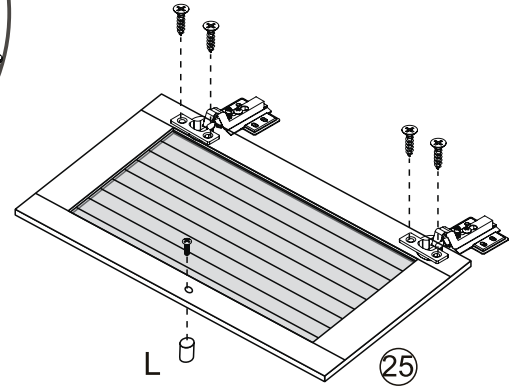
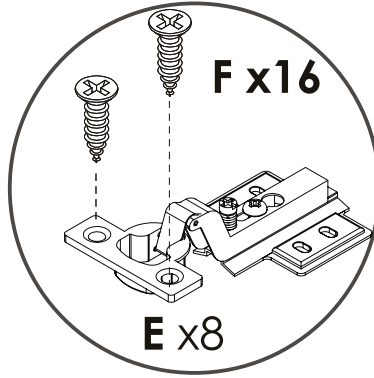
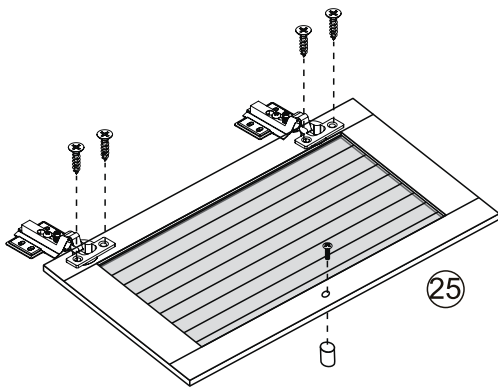
35

YOU WILL NEED

E x6	L x3
------	------

F x12	Z x2
-------	------

V x1	
------	--

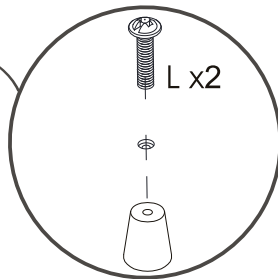
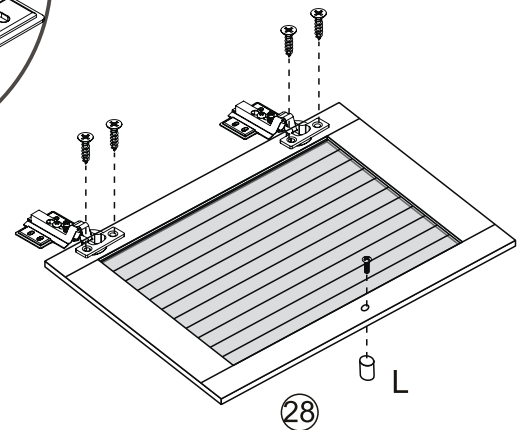
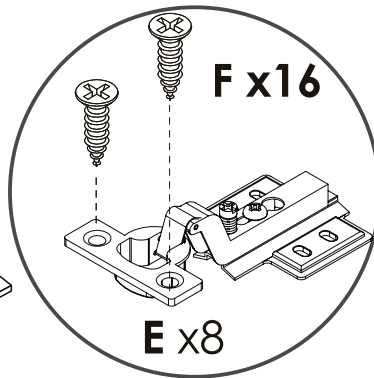
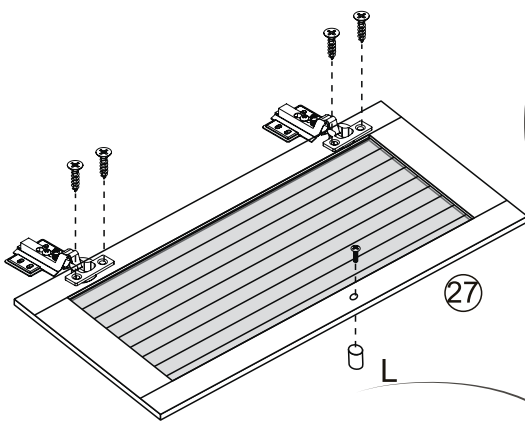


36

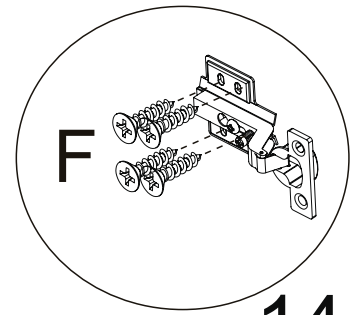
YOU WILL NEED

E x8	L x4
------	------

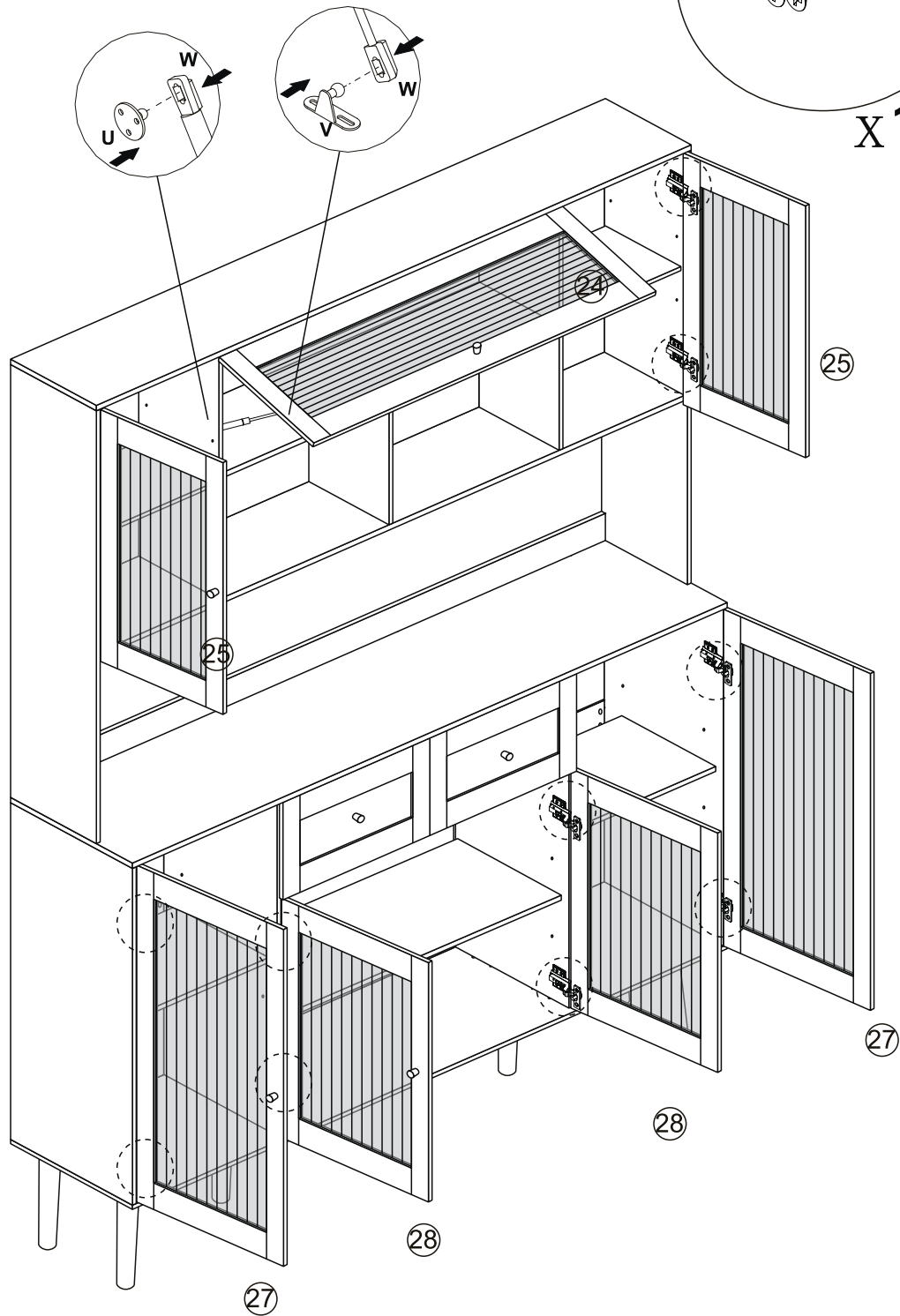
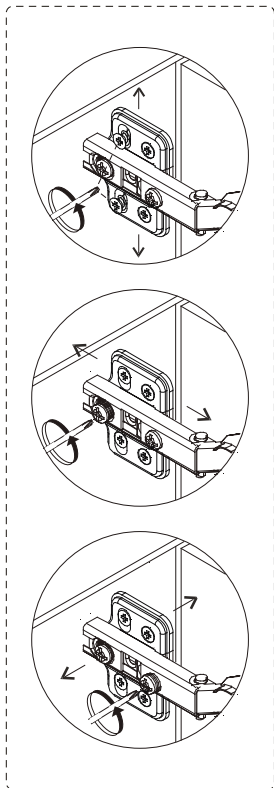
F x16	
-------	--



**x2**



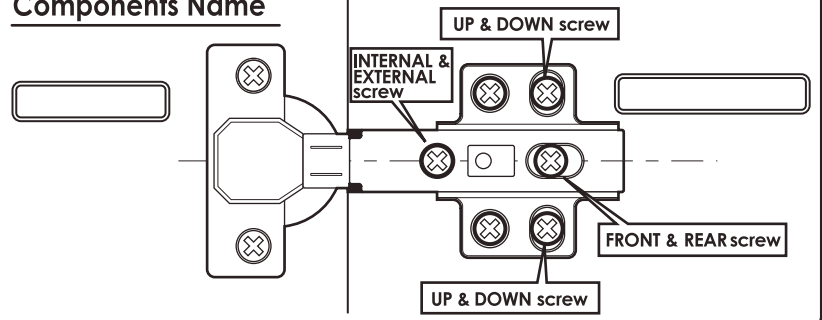
x14



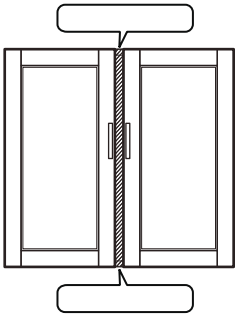


# The ways to adjust the door

## Components Name

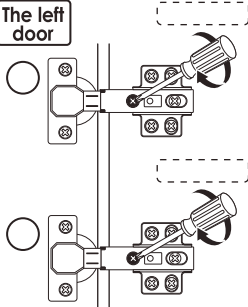


Obvious gaps between doors or Doors don't look closed

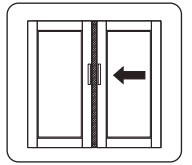
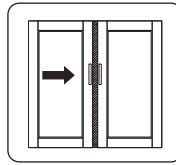
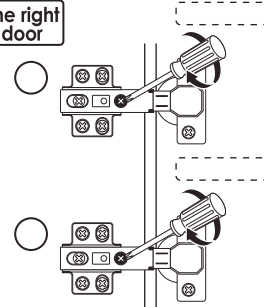


1

The left door

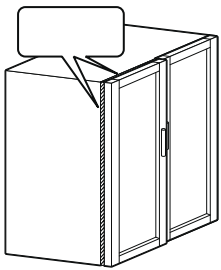


The right door

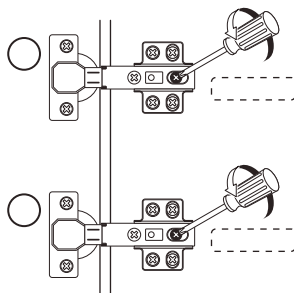


B If the 2 doors are overlap, please turn the "internal & external screw" to the left.

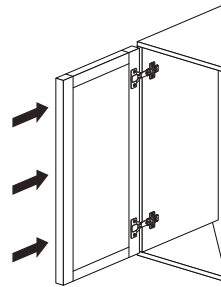
When door is crooked



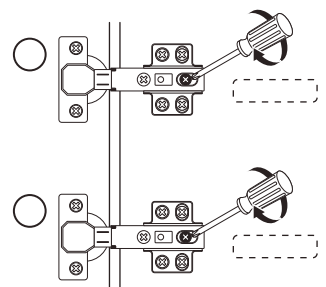
1



2

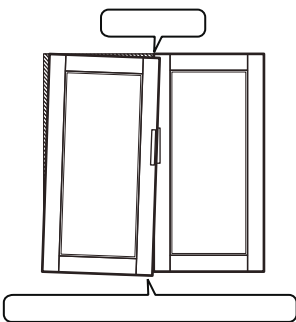


3

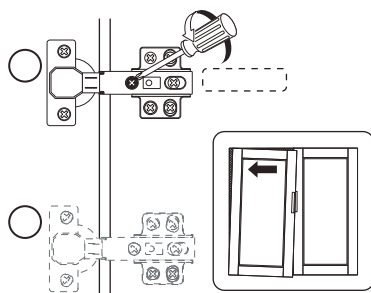


B After adjusting the "front and rear screw", the door still does not change, please turn the "internal & external screw" to the right slightly.

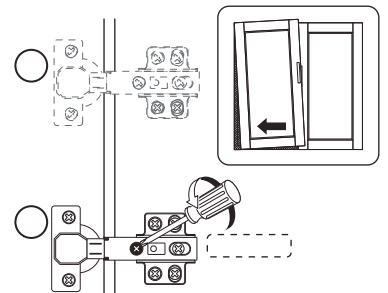
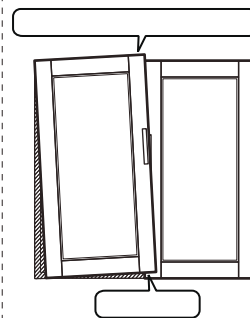
When door is leaning



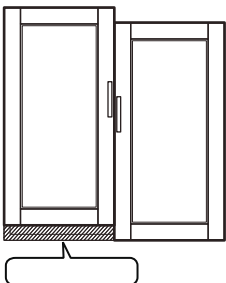
1



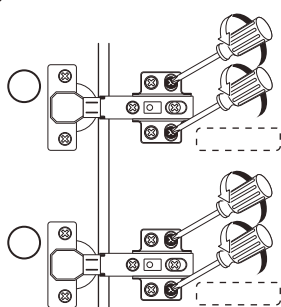
1



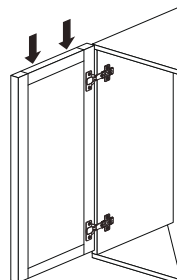
When the door is higher on top



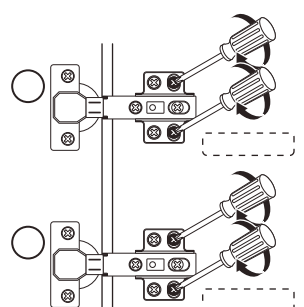
1



2

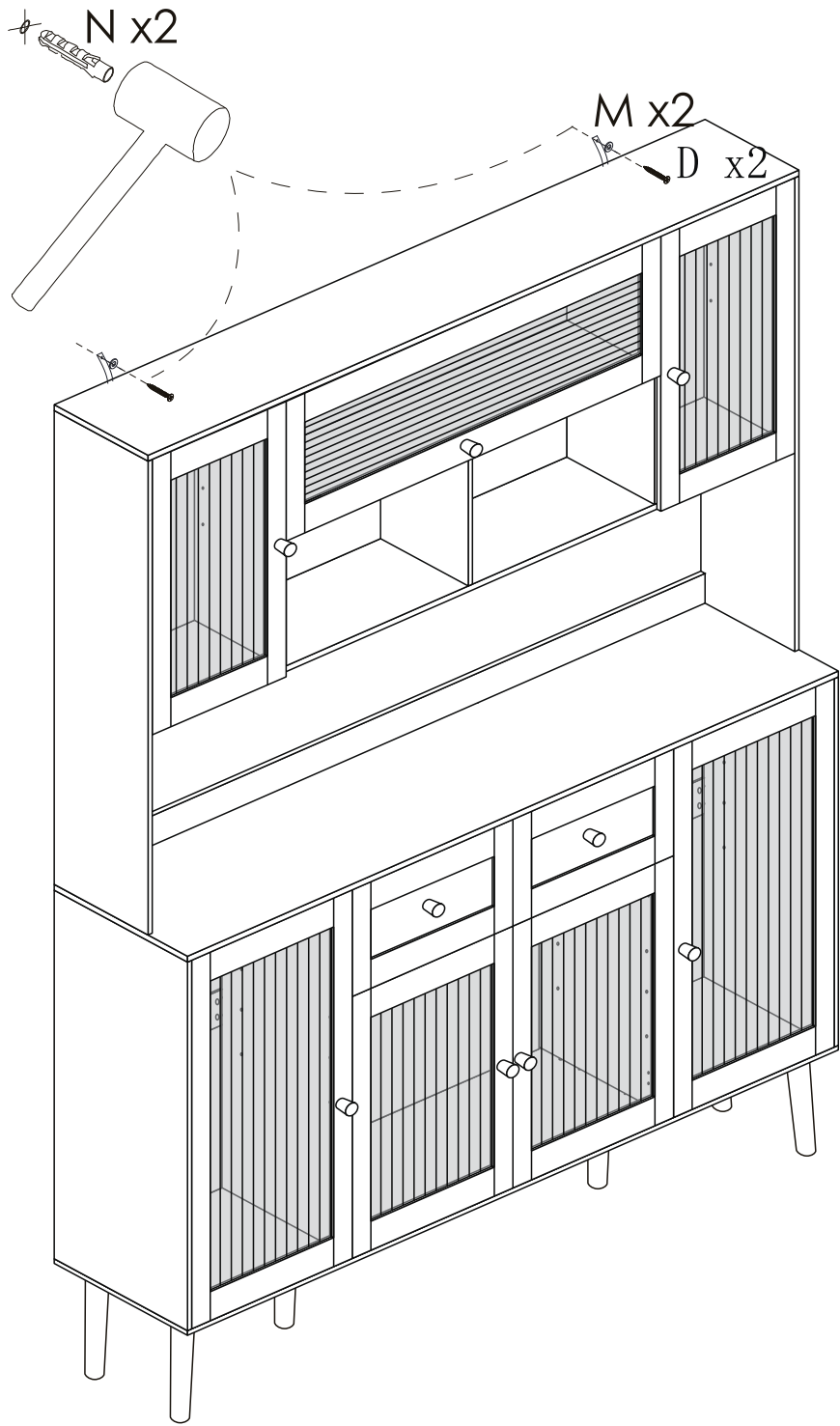


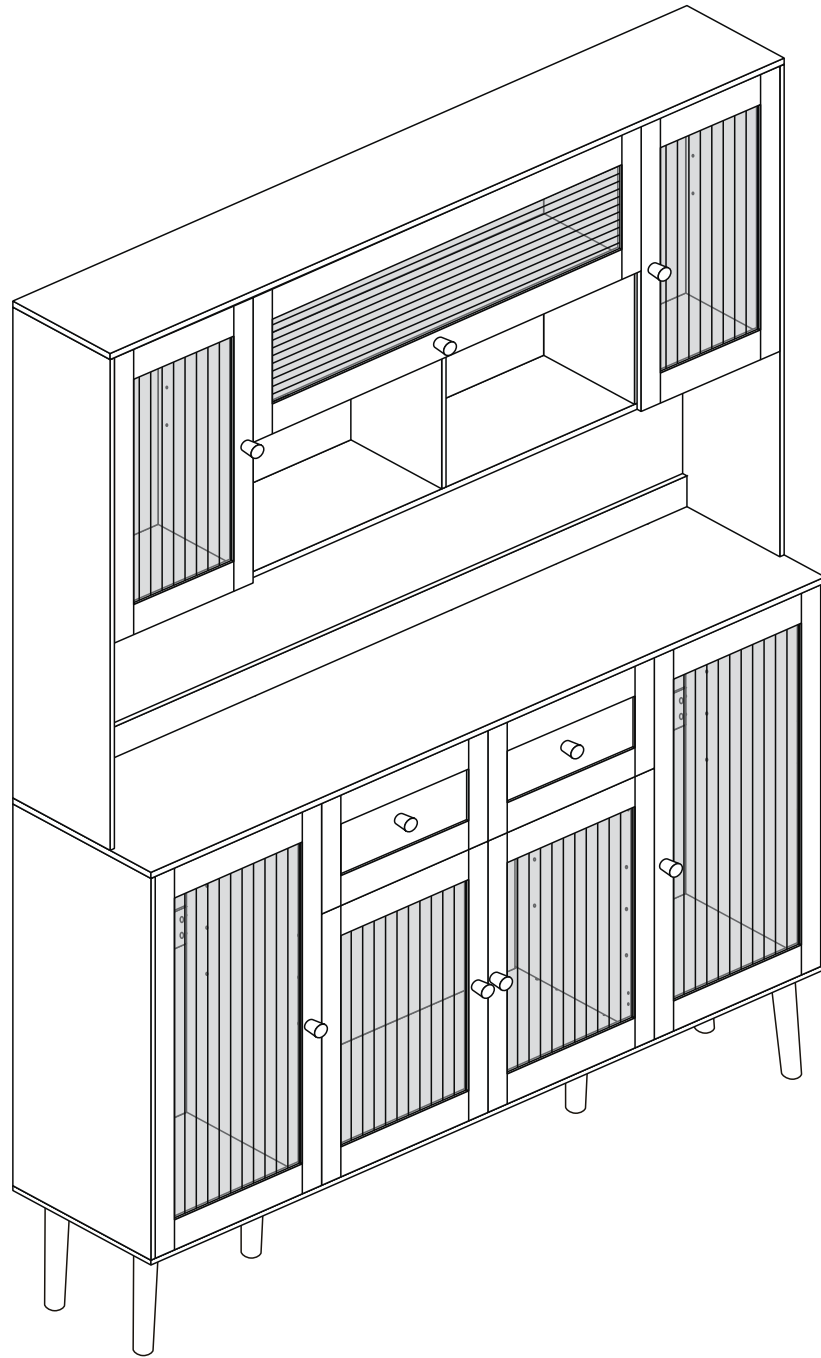
3



B If the door is lower on bottom, please lift up the left door slightly on step 2

YOU WILL NEED	
D x2	M x2
	N x2





## GUARANTEE

Storage Cabinet offers a **90-days** warranty that begins on the date of the original purchase and applies to problems caused by the manufacturer. For questions, assistance, or support, please contact the Customer Service by e-mail with your order number and details. We will send you further information about the solution.

# WARNING

**INGESTION HAZARD:** This product contains a button cell or coin battery. **DEATH** or serious injury can occur if ingested.

A swallowed button cell or coin battery can cause Internal Chemical Burns in as little as 2 hours.

**KEEP** new and used batteries **OUT OF REACH** of **CHILDREN**

**Seek immediate medical attention** if a battery is suspected to be swallowed or inserted inside any part of the body.



- Remove and immediately recycle or dispose of used batteries according to local regulations and keep away from children. Do NOT dispose of batteries in household trash or incinerate.
- Even used batteries may cause severe injury or death.
- Call a local poison control center for treatment information.
- This product contains a CR2025,DC3V coin battery. A coin battery can cause serious internal chemical burns if swallowed.
- Non-rechargeable batteries are not to be recharged.
- Do not force discharge, recharge, disassemble, heat above 132°F (60°C) or incinerate. Doing so may result in injury due to venting, leakage or explosion resulting in chemical burns.
- Ensure the batteries are installed correctly according to polarity (+ and -).
- Do not mix old and new batteries, different brands or types of batteries, such as alkaline carbon-zinc, or rechargeable batteries.
- Remove and immediately recycle or dispose of batteries from equipment not used for an extended period of time according to local regulations.
- Always completely secure the battery compartment. If the battery compartment does not close securely, stop using the product, remove the batteries, and keep them away from children.

Model:DCB-002

**Made in China**

