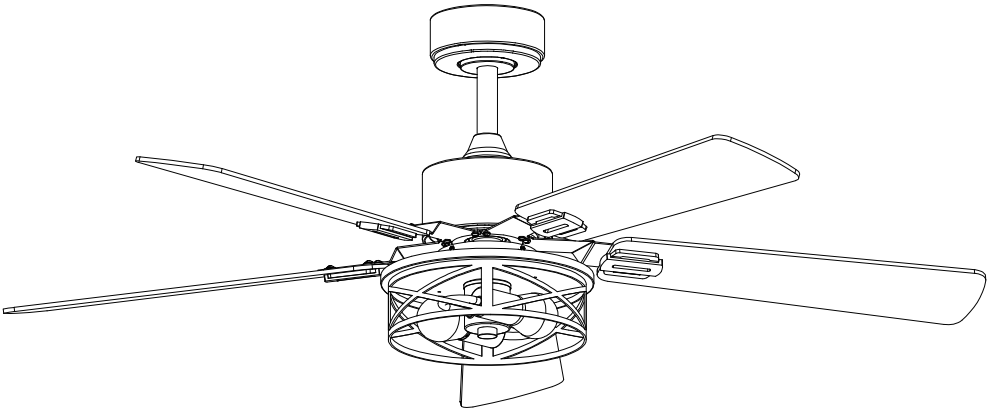


Owner Manual

Ceiling Fan

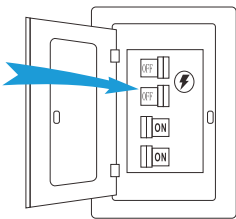


Safety Information

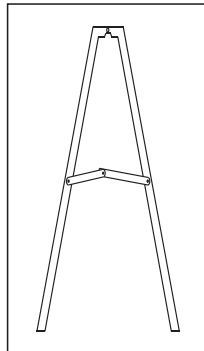
- Before connecting the power supply, make sure turn off the Electrical Main Switch at the circuit breaker fuse box.
- Using power supply 120V/60Hz.
- All wiring must comply with national and local electrical codes ANSI/NFPA70.
- **MAKE SURE THE POWER IS SWITCH OFF AT THE ELECTRICAL PANEL BOX BEFORE YOU ATTEMPT TO ANY REPAIRS (REFER TO THIS SECTION), MAKING ELECTRICAL CONNECTIONS.**
- **ASSUREZ-VOUS QUE L'ALIMENTATION EST COUPÉE AU NIVEAU DU BOÎTIER ÉLECTRIQUE AVANT DE TENTER DES RÉPARATIONS (VOIR CETTE SECTION), EN FAISANT DES CONNEXIONS ÉLECTRIQUES.**
- To reduce the risk of fire or electric shock, turn off the power to the fuse box or circuit breaker before installing the fan. To reduce the risk of personal injury, attach the fan directly to the building's support structure. Make sure that the installation location allows the fan blades to rotate without obstacles.



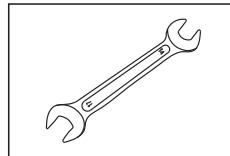
Tools That May Be Used During Installation



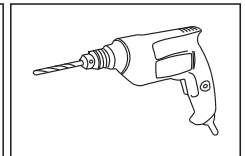
**BEFORE YOU START
SWITCH OFF**



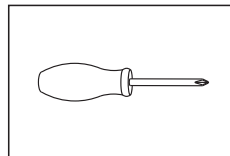
Ladder



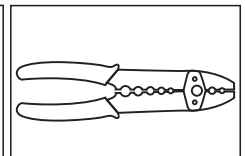
17/14spanner



Drill



Screwdriver

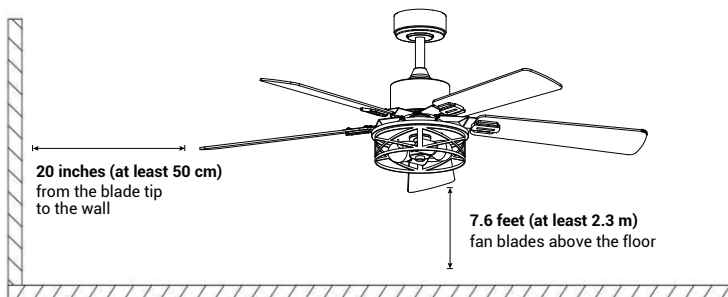


Wire Strippers

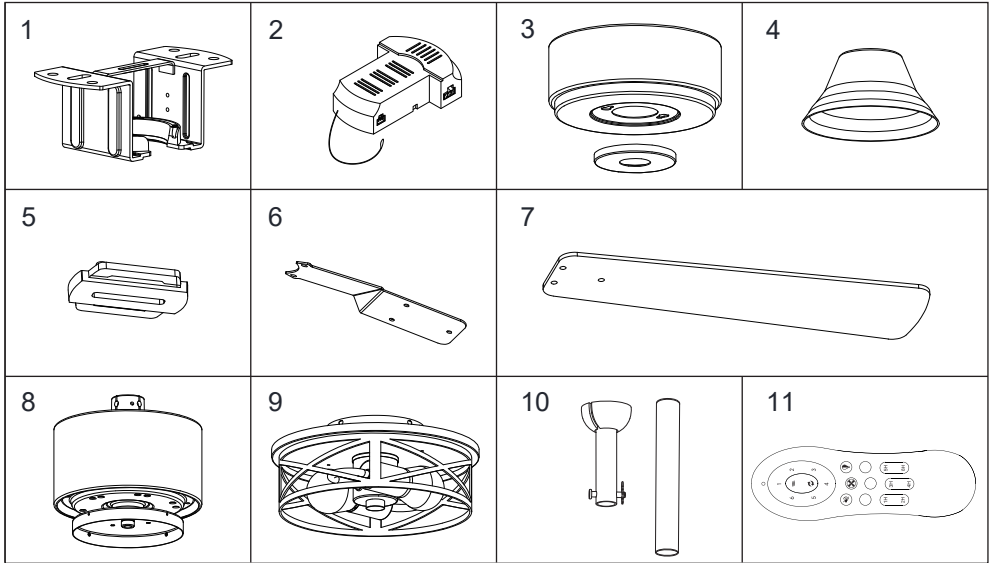
Safety Information



- **WARNING:** To Reduce The Risk Of Fire, Electric Shock, Or Personal Injury, Mount To Outlet Box Marked "Acceptable for Fan Support of 15.9 kg (35 lbs) or less" And Use Mounting Screws Provided With The Outlet Box. Most Outlet Boxes Commonly Used For The Support of Luminaires Are Not Acceptable For Fan Support And May Need To Be Replaced. Consult A Qualified Electrician If In Doubt.
- **CAUTION:** To Reduce The Risk Of Injury To Persons, Install Fan So That The Blade Is At Least 3.05 Meters (10 Feet) Above The Floor.
- Do not install the fan with wet hands.
- Do not insert foreign objects between the rotating fan blade.
- Do not bend the fan blades when installing or cleaning the fan.
- Do not disassemble or modify this product or use non-original parts without permission.
- Keep children away from your working area.
- **ATTENTION:** pour réduire le risque de blessures corporelles, installez le ventilateur de manière à ce que la lame se trouve à au moins 3,05 mètres (10 pieds) au-dessus du sol.
- **AVERTISSEMENT:** pour réduire le risque d'incendie, de choc électrique ou de blessure, montez sur la boîte de sortie marquée « Acceptable pour un support de ventilateur de 15,9 kg (35 lb) ou moins » et utilisez les vis de montage fournies avec la boîte de sortie. La plupart des boîtiers de sortie couramment utilisés pour le support des luminaires ne sont pas acceptables pour le support des ventilateurs et peuvent devoir être remplacés. Consultez un électricien qualifié en cas de doute.



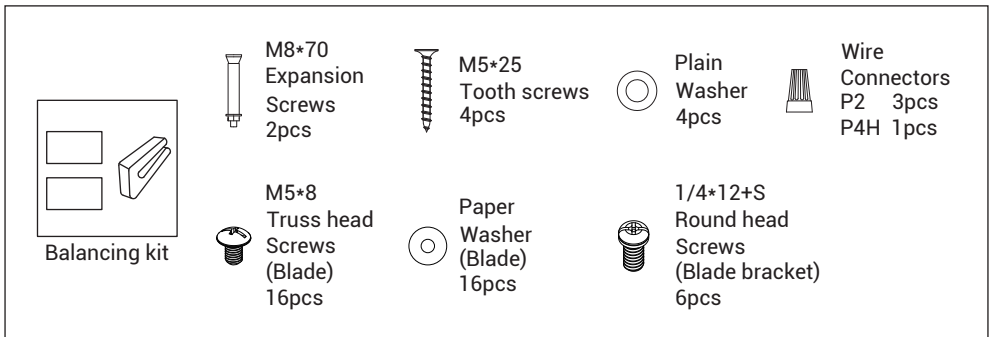
Parts Included



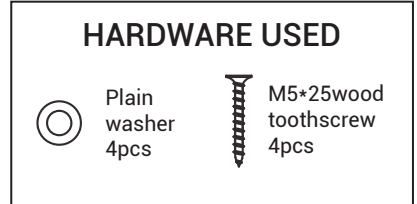
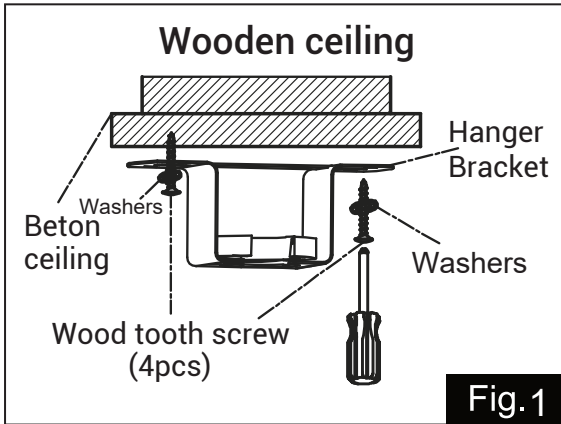
Unpack your fan and check the contents. You should have the following items

- | | |
|-------------------------------|---|
| 1. Hanger bracket | 7. Blade (5PCS) |
| 2. Remote Control receiver | 8. Motor |
| 3. Canopy/Canopy cover | 9. Light kit |
| 4. Decorative cover | 10. 6" Downrod with Hanger ball Cross pin R pin |
| 5. Blade bracket cover (5PCS) | 10" Downrod |
| 6. Blade bracket (5PCS) | 11. Remote control |

Screws

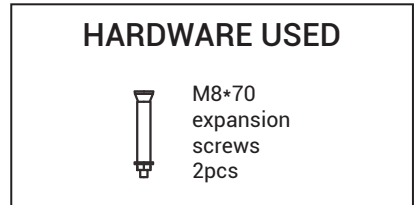
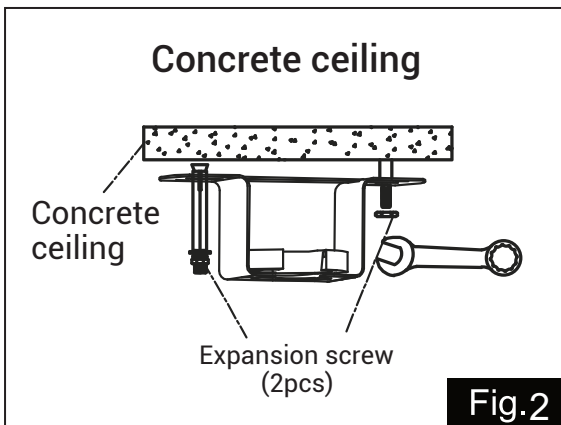


Installation Of Hanger Bracket



1) Wooden Ceiling:

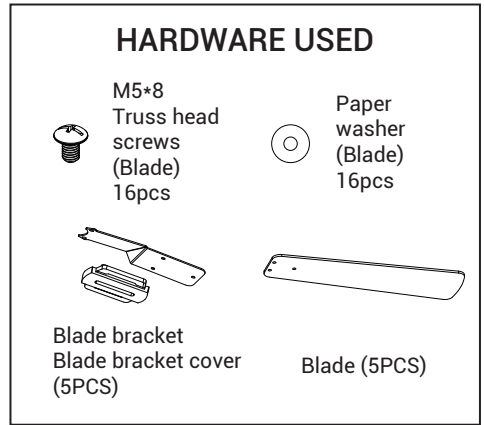
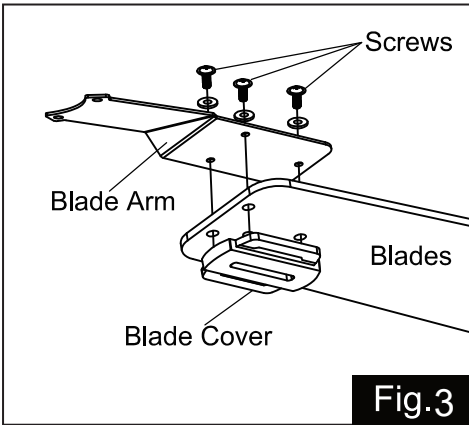
Fasten the hanger bracket to the ceiling with 4 wood tooth screws. (fig 1)



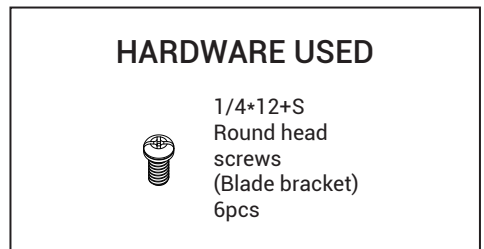
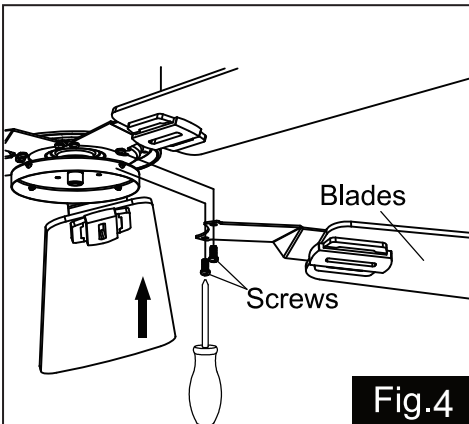
2) Concrete ceiling:

Use the expansion screw to fix the hanger bracket to the ceiling. (fig 2)

Installation Of Fan Blades



- 1) Secure each blade to a blade bracket with blade bracket cover, screws and paper washer. Repeat five times. (fig 3)

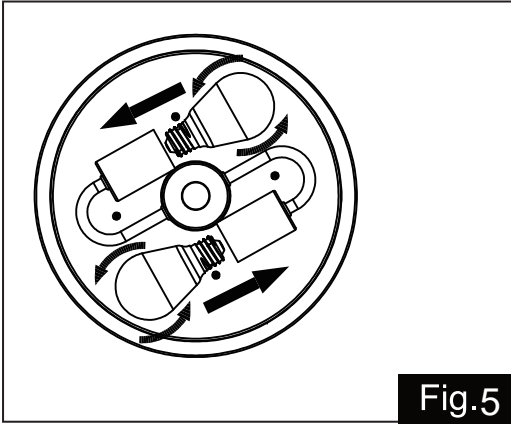


- 2) Attach the blade bracket to the motor holes, then attach and tighten the screws. Repeat five times. (fig 4)



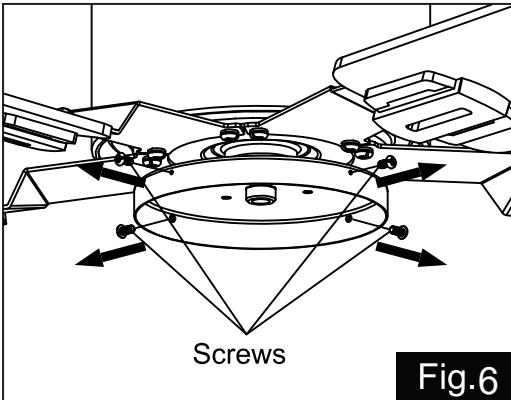
Please do not use an electric drill to install the solid wood /plywood blades.

Installation Of Lightkit

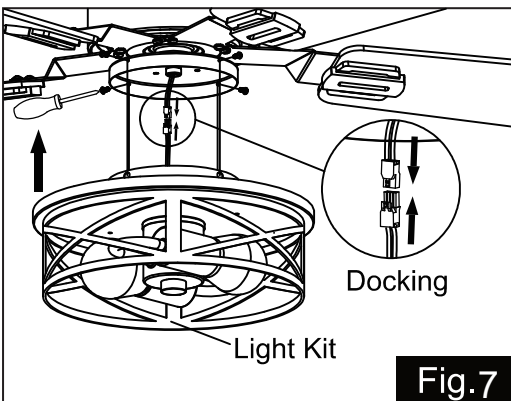


1) Install the bulbs that fit E26 socket, twist clockwise until it's secured tightly.

* This light kit fits E26 bulbs 25W max (not included with purchase) *

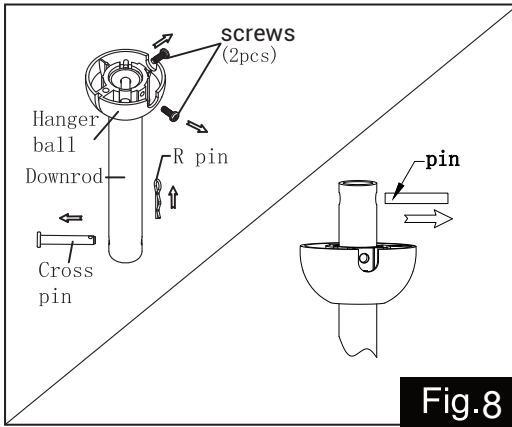


2) Remove the four screws on the motor.

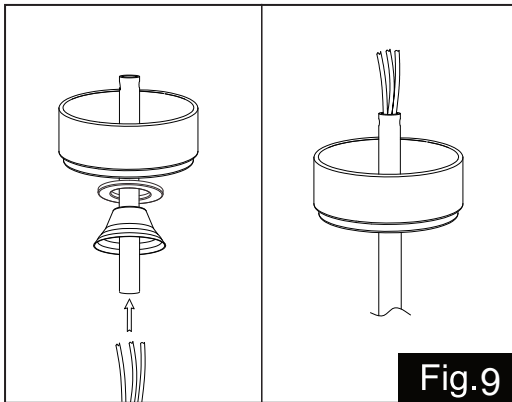


3) Connect the plugs from the motor and light kit. Install the light kit to motor with these four screws.

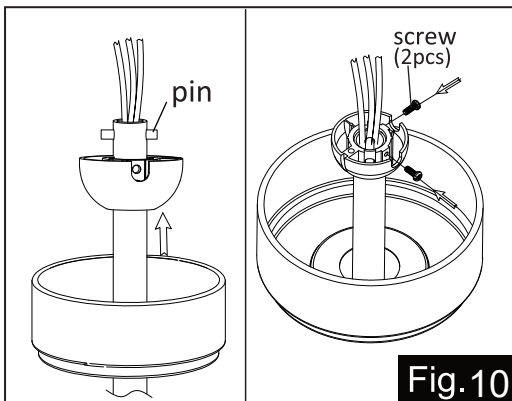
Installation Of Downrod/hanger Ball



1. Remove the screw and pin from the hanger ball; Remove the "R" pin and cross pin from the downrod. (fig 8)

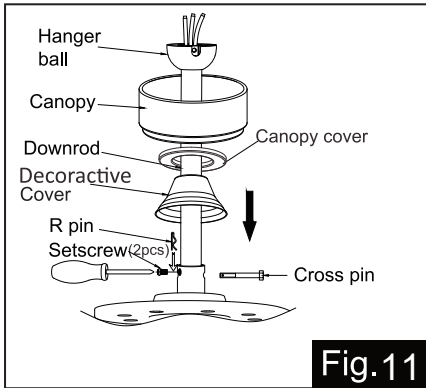


2. Choose a suitable downrod. Put the canopy, canopy cover and decorative cover into the downrod, then put the wire through the downrod. (fig 9)



3. Install back the screws and pin to the hanger ball, ensure to fasten the screws. (fig 10)

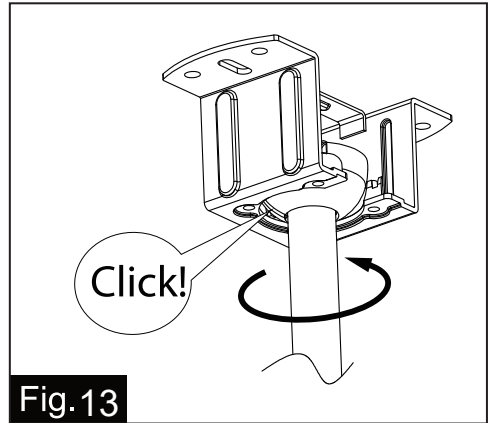
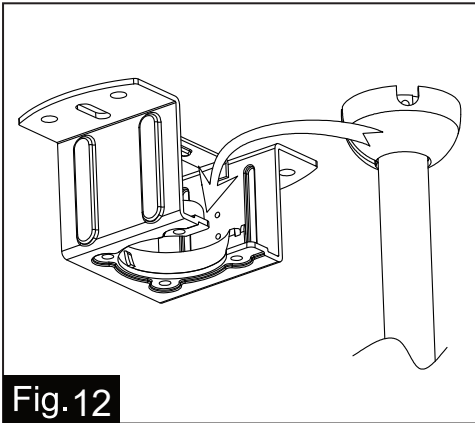
Installation Of Downrod/hanger Ball



4. Loosen the two setscrews in the downrod support (NOTE: The two setscrews above are used to secure the downrod. The two screws below are used to secure the central spindle, please do not loosen), Insert the downrod into the connector. Install back the cross pin and secured with the "R" pin. (Note: The wire will block the cross pin slightly) Fasten back the two setscrews. (fig11)

* The "R" pin must be properly installed to prevent the cross pin from working loose. *

Hanging Of Ceiling Fan



1) Lift the assembled fan on to the hanger bracket. (fig 12)

2) Ensure the concave groove of the hanger ball is positioned on the hanger lug of hanger bracket. (fig 13)

Wiring Of Ceiling Fan

Total six colors of wires connected from the top of the motor:

- * White-neutral wire for lightkit
- * Blue-live wire for lightkit
- * Black, Red, Brown -wires for fan
- * Green-ground wire

The installation is to be in accordance with the National Electrical Code ANSI/NFPA 70 and local codes.

HARDWARE USED



wire
connectors
P2 2pcs
P4H 1pcs

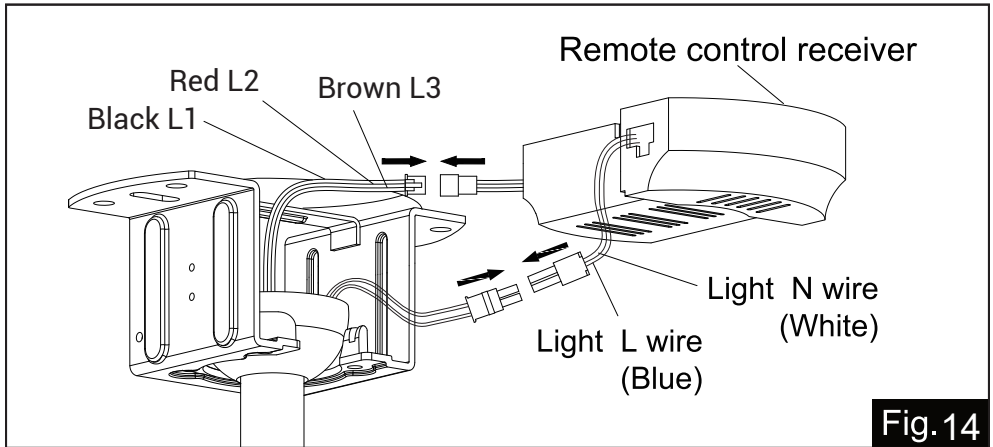


Fig. 14

- 1) Plug the connector from the motor into the remote control receiver:
big Connector to the big Socket & small Connector to the small Socket

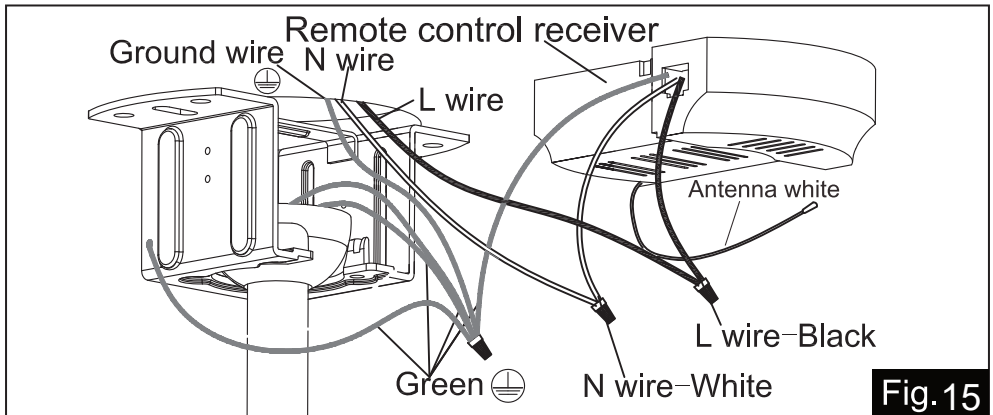


Fig. 15

- 2) Connect the wires of remote control receiver to AC wires
(Household supply): Green to Ground, White to Neutral, Black to Live.

Installation Of Receiver

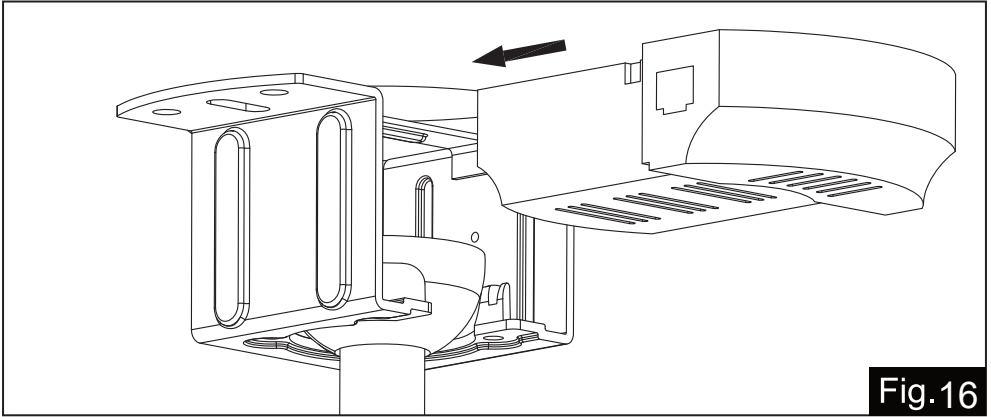


Fig.16

Tidy up the wire and put the receiver into the hanger bracket.

Installation Of Canopy

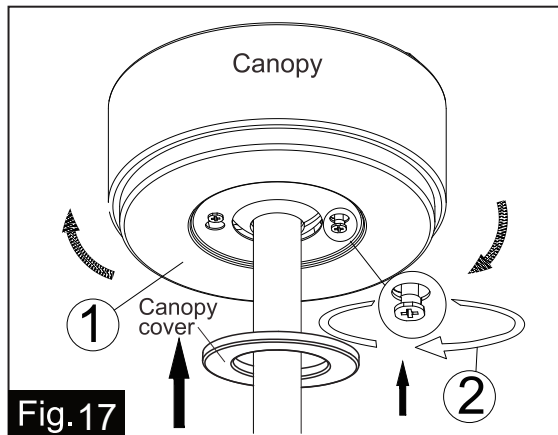
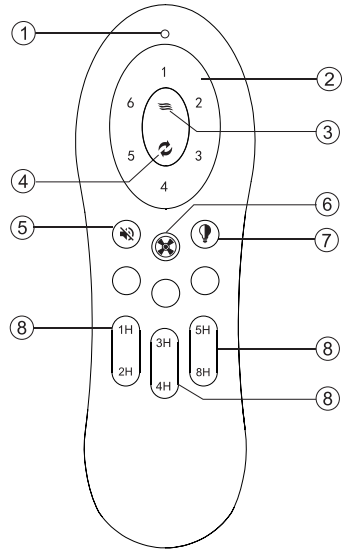


Fig.17


- 1) Please rotate all the wires around the hanger bracket in the same direction to tuck all wires into the canopy. Then, rotate the canopy and tighten the screws into two right holes. (Fig 17)
- 2) Attach the canopy cover with magnet to the canopy. (Fig 17)

Remote Control Manual

- ① Led Indicator
- ② Speed Control
- ③ Natural wind
- ④ Fan Reverse/Forward
Press and hold the button for seconds
- ⑤ Silent mode switch
Press and hold the button for 2 seconds
to cancel the Beep'sound
- ⑥ Fan Off
- ⑦ Light ON/Off
- ⑧ 1/2/3/4/5/8HTimer (Short pressing)



Important

1. Insert two size AAA alkaline batteries by matching **+** and **-** on the batteries to the diagram inside the battery compartment of the remote control.
2. Steps to pair the Emitter and Receiver:
 - (1) Turn 'ON' the supply power.
 - (2) Within 30 seconds, press and hold the Emitter button '  ' for 5 seconds until hearing a long 'beep' sound.
 - (3) Pairing successfully (learning mode is not acceptable after turn 'ON' the supply power for more than 30 seconds).
3. When the Emitter cannot control the Receiver, check surrounding for any existence of similar remote control products. Some interference might occur when similar radio waves being transmitted.
4. Replace the batteries when found low in voltage as it will affected the sensitivity of the Emitter.
5. Always remove the batteries from the Emitter when leaving unused for long period of time.

Troubleshooting -1

Fan does not work, but light works

- ◆ Check all the connections are correct and secure, reconnect the motor wires.
- ◆ Turn off the power at least 10 seconds, then turn on the power and repair the remote and receiver.
- ◆ Turn off the power and turn on the power again
 - If you cannot hear a 'beep' sound, it means there is a problem with receiver and need to change a new one.
 - If you hear a continuous 'beep' sound, it means there is a problem with fan motor. Check the motor wires are secure and intact.
- Check the motor for resistance.

Fan works, but light does not work

- ◆ Check the light wire connections are correct and secure, reconnect the light wires.
- ◆ Turn off the power at least 10 seconds, then turn on the power and repair the remote and receiver.
- ◆ Connect the light directly without receiver.
 - If the light works, it means there is a problem with receiver and need to change a new one.
 - If the light not works, it means there is a problem with light and need to change a new one.

Fan and light do not work

- ◆ Check all the connections are correct and secure, reconnect all the wires.
- ◆ Turn off the power at least 10 seconds, then turn on the power and repair the remote and receiver.
- ◆ Check the battery of remote control. Change a new battery.
- ◆ Turn off the power and turn on the power again.
 - If you cannot hear a 'beep' sound, it means there is a problem with receiver and need to change a new one.

Troubleshooting -2

Some function not works

- ◆ Light cannot adjust brightness.
 - Try to press and hold the dimming button
- ◆ Fan cannot reverse.
 - Afer press the reverse button, wait for about 20 seconds to reverse.
- ◆ If other function is normal and the operation is correct, it needs to change a new remote and receiver.

Fan noisy

- ◆ Tighten all screws.
- ◆ Make sure no objects insert in the fan.
- ◆ Separate & store neatly all the wire nut connections.

Fan shaking

- ◆ Check the screws on the hanger bracket are secure.
- ◆ Make sure the concave groove of the hanger ball is positioned on the hanger lug of the hanger bracket.
- ◆ Check the screws of hanger ball, downrod and connector are secure.