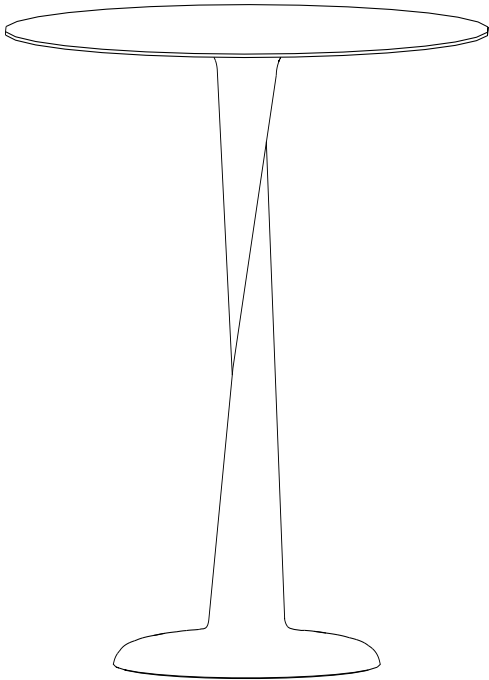
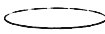




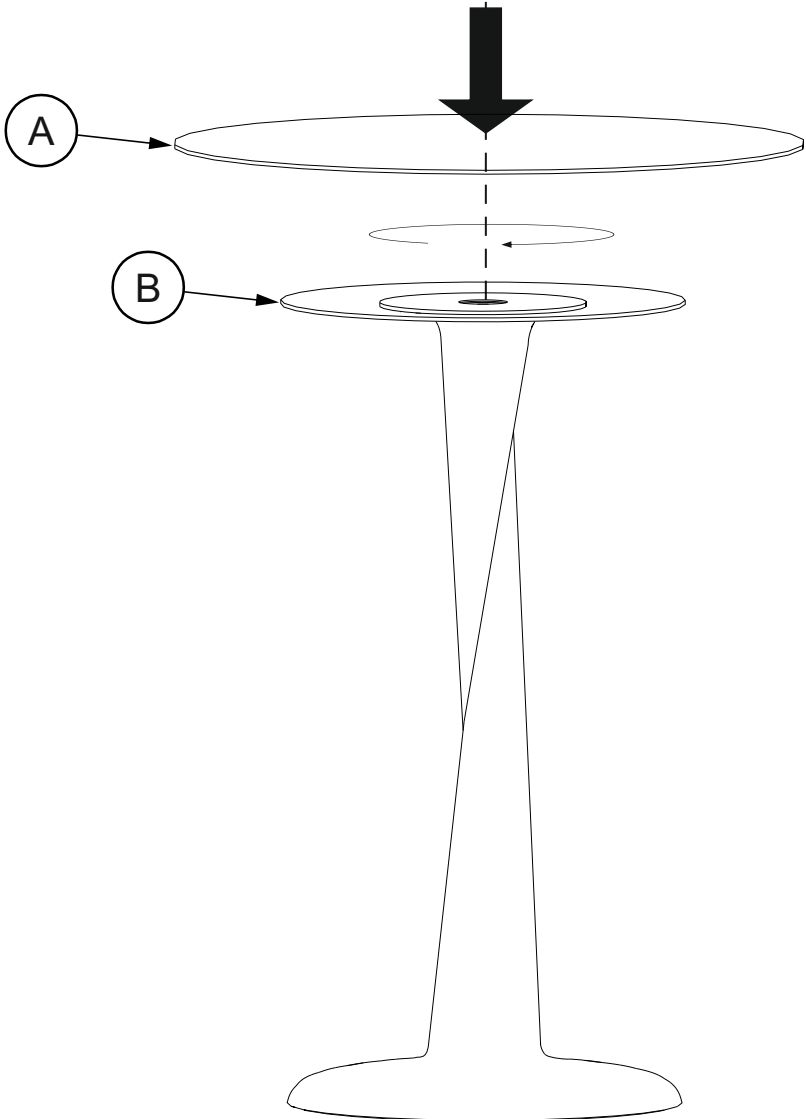
ASSEMBLY INSTRUCTION FOR

TORSIO BAR TABLE-DISTRESSED BRONZE

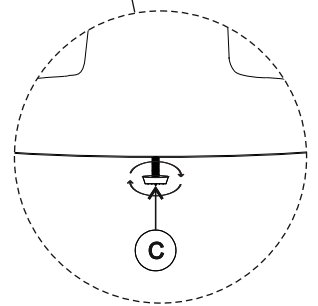
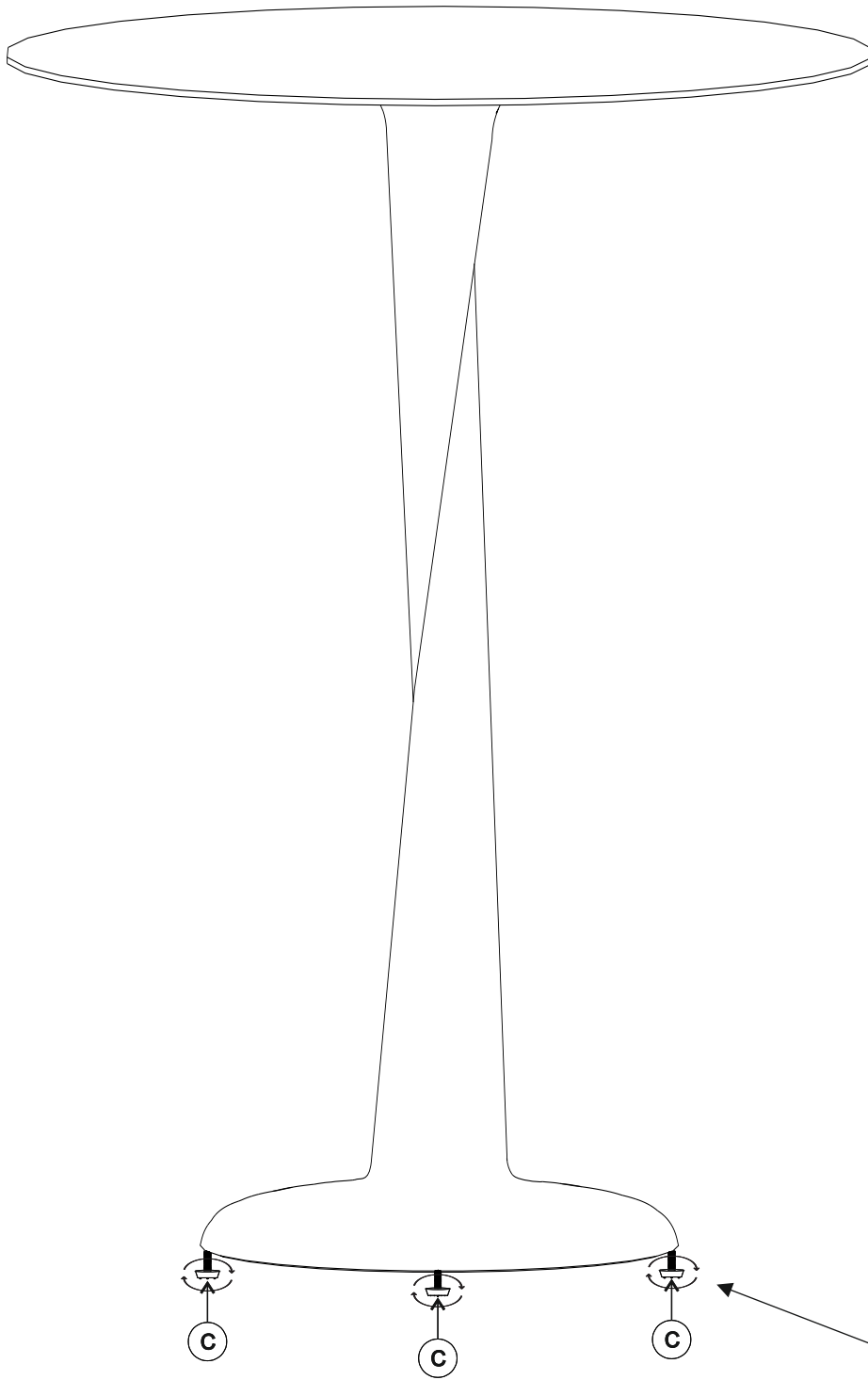


| HARDWARE LIST | | | | |
|---------------|---|---------|--------------------|---|
| A |  | TOP | Ø813 X 10 mm. | 1 |
| B |  | BASE | Ø508 X 1080 mm. | 1 |
| C |  | LEVELER | Ø20 X 8 23 mm. | 3 |

Step 1



Step 2



ADJUSTABLE LEVELER FOR
BALANCE TOP