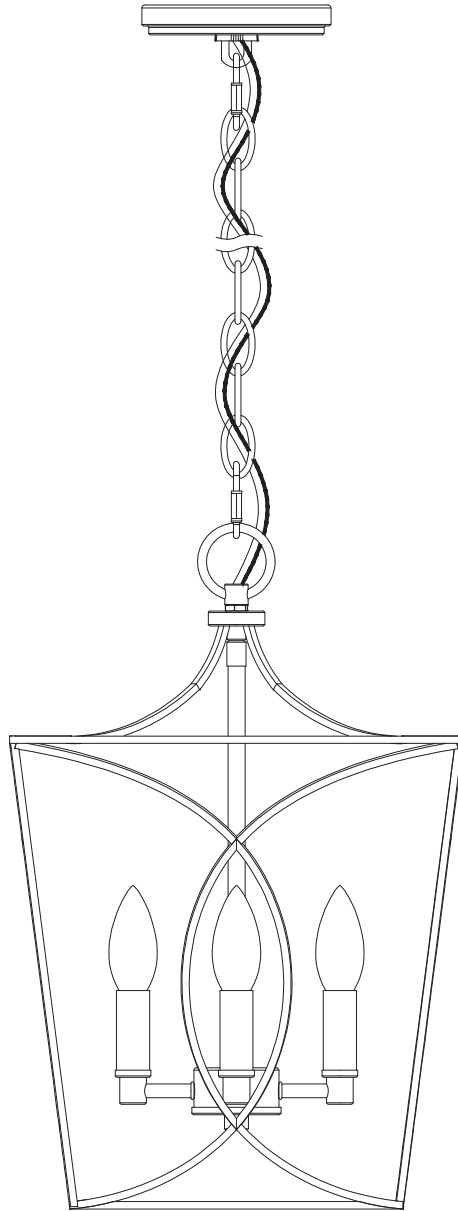


# Assembly Instructions



---

**PENDANT**

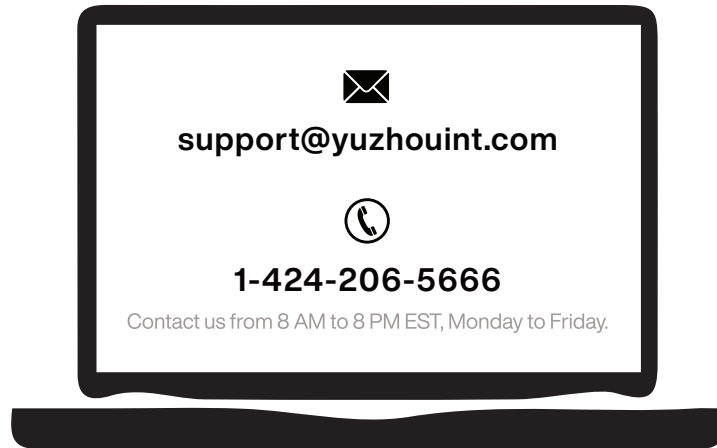
Model No.

**THCL-TD0031/ THCL-TD0032**

---

# Contact Us

## We're here to help you.



Your satisfaction is our top priority. If you encounter any issues with this product, such as missing or damaged parts, we're here to help. Please retain the original packaging and take photos of the packaging and the product, then contact us as soon as possible.

### Warm Tips

1. Carefully read these instructions and keep them for future reference.
2. Check the parts list and confirm everything's there before starting assembly.
3. When assembling, put all parts on a soft, smooth surface like a carpet to avoid scratches.
4. Don't fully tighten screws until all parts are confirmed in place to avoid misalignment.

# Pre-Installation

## PLANNING INSTALLATION

Read all instructions before assembly. Before starting installation of this fixture or removal of a previous fixture, disconnect the power by turning off the circuit breaker or by removing the fuse at the fuse box. To avoid damaging this product, assemble it on a soft, non-abrasive surface, such as carpet or cardboard.



**NOTE:** Keep your receipt and these instructions for proof of purchase.

## HARDWARE INCLUDED



Canopy x1



Wire Connector x3



Mounting Strap x1



Ground Screw x1



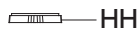
Outlet Box Screw x2



Screw x2



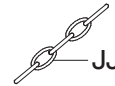
Pipe Nipple x1



Ring x1



Screw Collar Loop x1

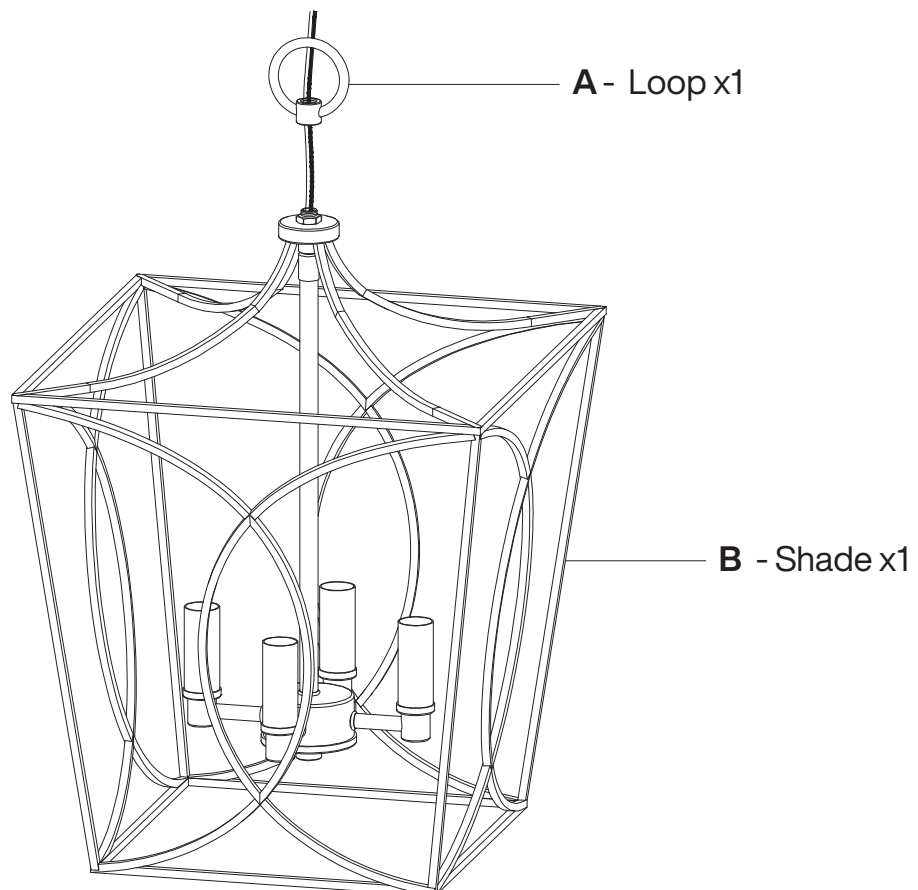


Chain x1



Quick Link x2

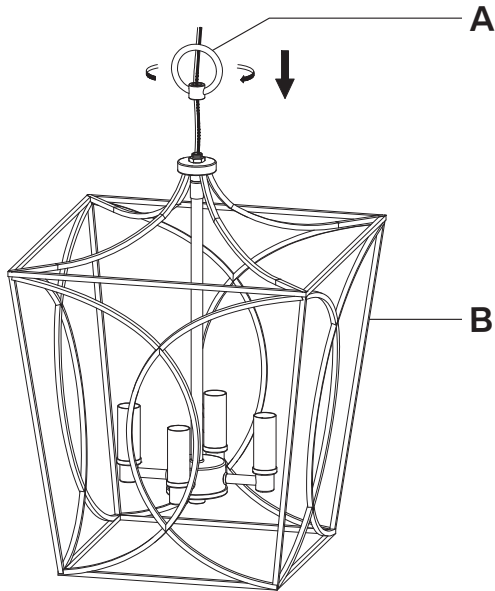
## PACKAGE CONTENTS



# Installation

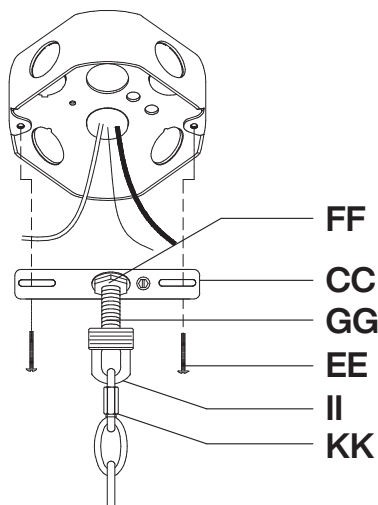
## 1 Securing the fixture

- Make sure the electrical wires are safe and through the fixture and through the loop (A).
- Screw the loop (A) into bushing.



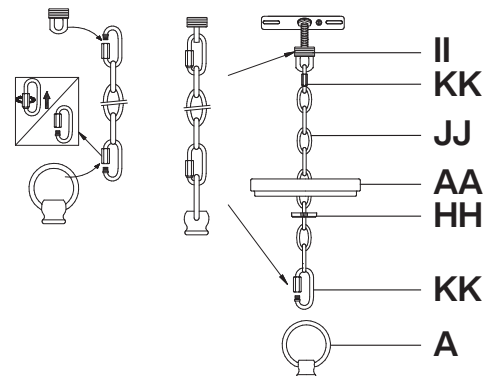
## 2 Attaching the mounting strap to the outlet box

- Screw the nipple (GG) about 1/2 in. into the screw collar loop (II).
- Screw the other side of the nipple (GG) about 3/8 in. into the mounting strap (CC).
- Tighten the hex nut (FF) against the mounting strap (CC) to secure the nipple (GG).
- Attach the mounting strap (CC) to the outlet box (not included) using the outlet box screws (EE).



## 3 Determining the correct length of chain

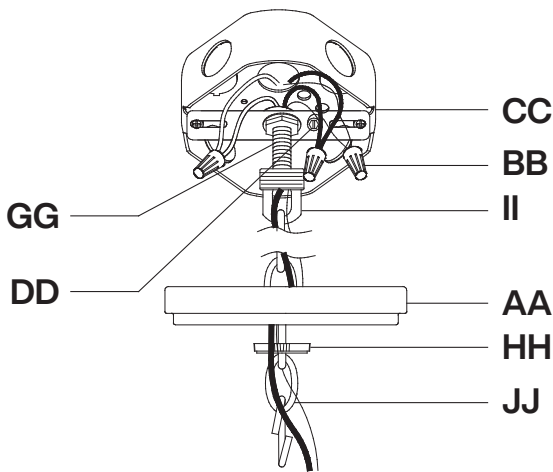
- Unscrew the collar loop ring (HH) from collar loop (II).
- If necessary, use pliers (not included) to spread links of chain (JJ) apart and remove any links to achieve desired hanging height.
- Once chain (JJ) is at desired length, unscrew the quick link (KK) on chain (JJ), but do not remove.
- Thread collar loop ring (HH) and canopy (AA) down chain (JJ), then attach the top quick link (KK) to the screw collar loop (II) and the bottom quick link (KK) to the fixture loop (A).



# Installation

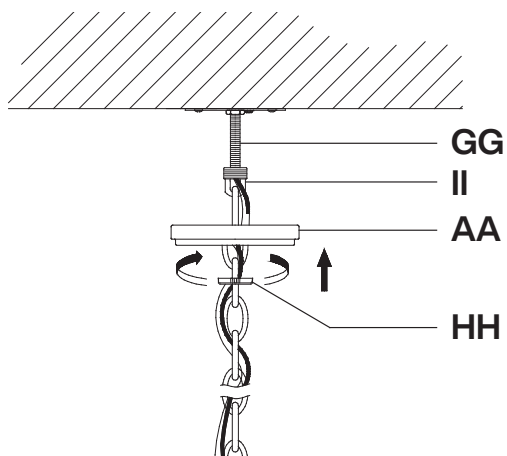
## 4 Making the electrical connections

- Weave the fixture wires up through the chain (JJ), the ring (HH), the canopy (AA), the screw collar loop (II), and the nipple (GG).
- Tie the ground wires from fixture and from outlet box to the ground screw (DD) on the mounting strip.
- Connect the wire without writing on it (with raised ribs) from the fixture to the white wire (neutral wire) from the supply circuit.
- Connect the wire with writing on it from the fixture to the black wire (live wire) from the supply circuit.
- Cover the connections by using provided wire connectors (BB). Position wires back inside outlet box.



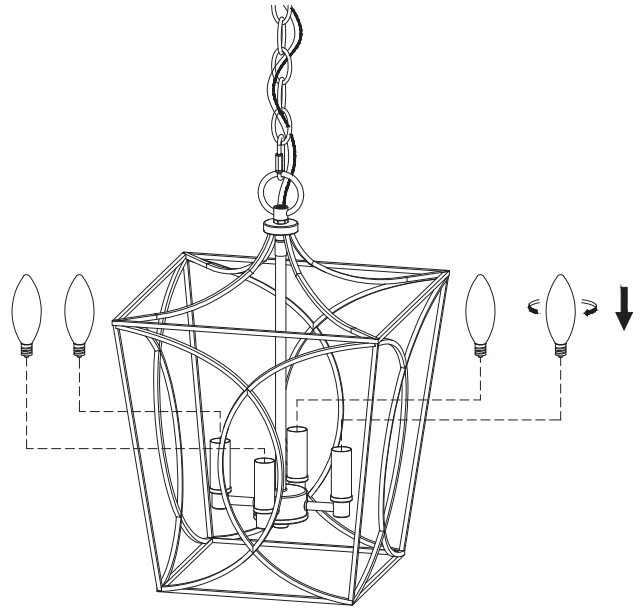
## 5 Securing the canopy

- Place the canopy (AA) over the mounting nipple (GG), and ensure it is flush with the ceiling.
- Screw the ring (HH) onto the screw collar loop (II) until the canopy (AA) is held firmly against the ceiling.



## 6 Installing bulbs

- Install light bulbs (not included). Use 60-watt max. candelabra-base bulbs.



**Thank you for your support!**

