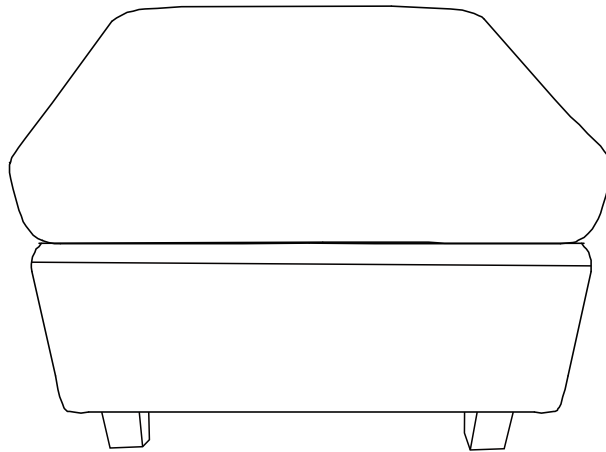
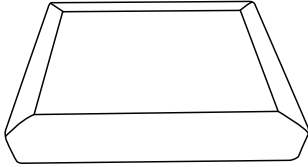
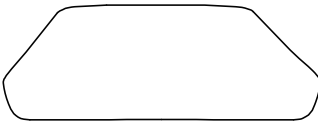
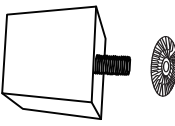


Assembly Instructions

ITEM NO:F10411/10422/10433/10444

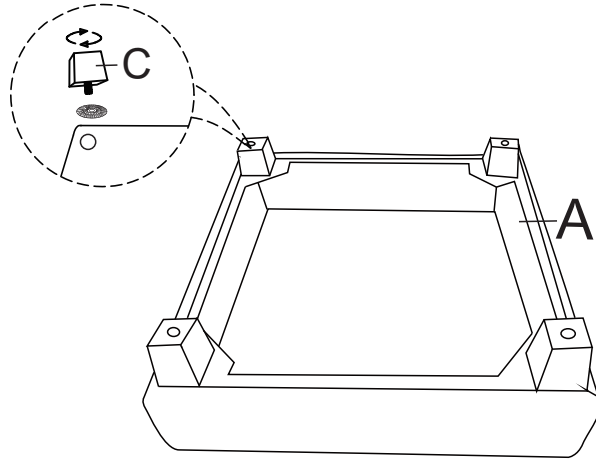


PARTS LIST

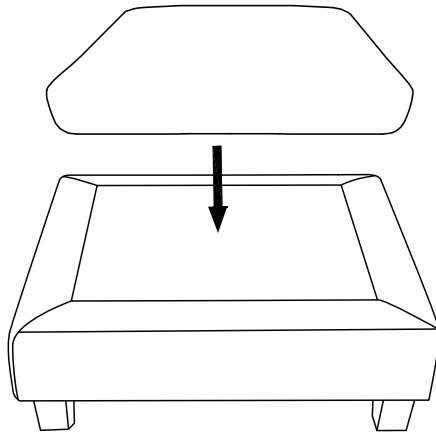
| A*1 | B*1 | C*4 |
|---|---|---|
|  |  |  |

Assembly Steps

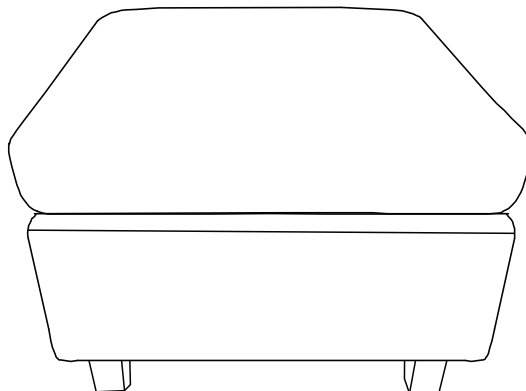
Step 1



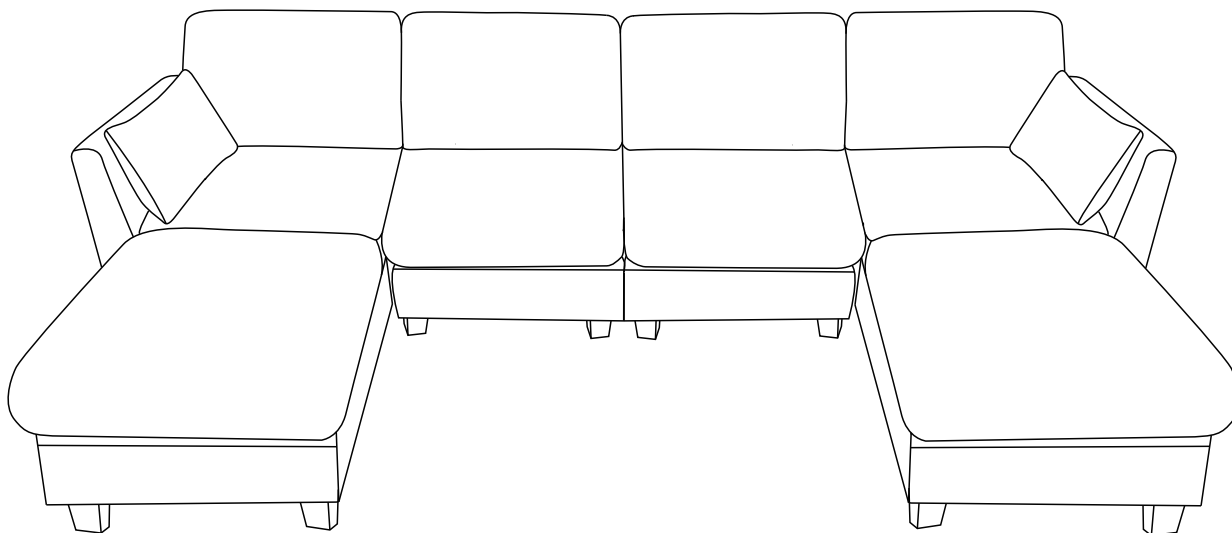
Step 2



Step 3



Assembly Steps



Toll-Free number: 1-833-273-2277