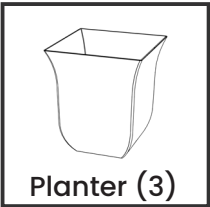
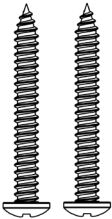
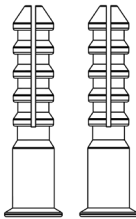
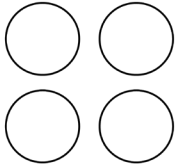
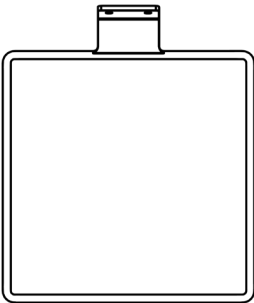
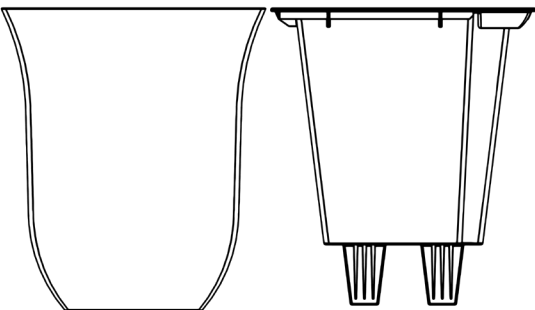


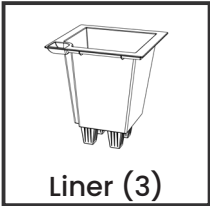
Assembly Guide

8in Wall Mount Planter | 3-Pack

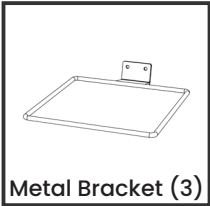
PACKAGING CONTENTS:



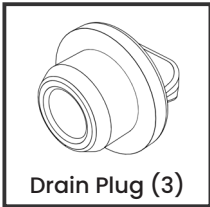
Planter (3)



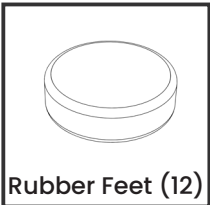
Liner (3)



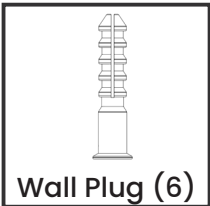
Metal Bracket (3)



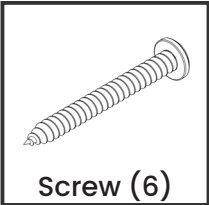
Drain Plug (3)



Rubber Feet (12)

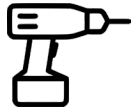


Wall Plug (6)



Screw (6)

TOOLS REQUIRED:



Cordless Drill



3/16in drill bit



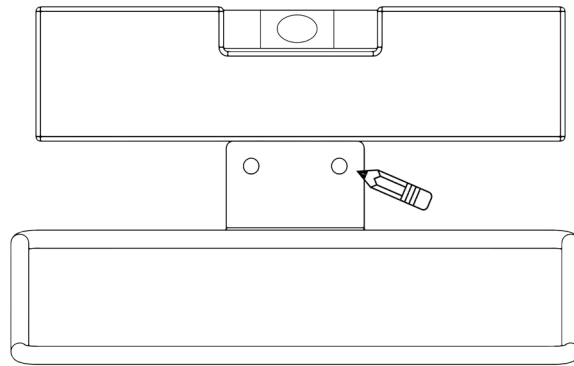
Pencil



Level

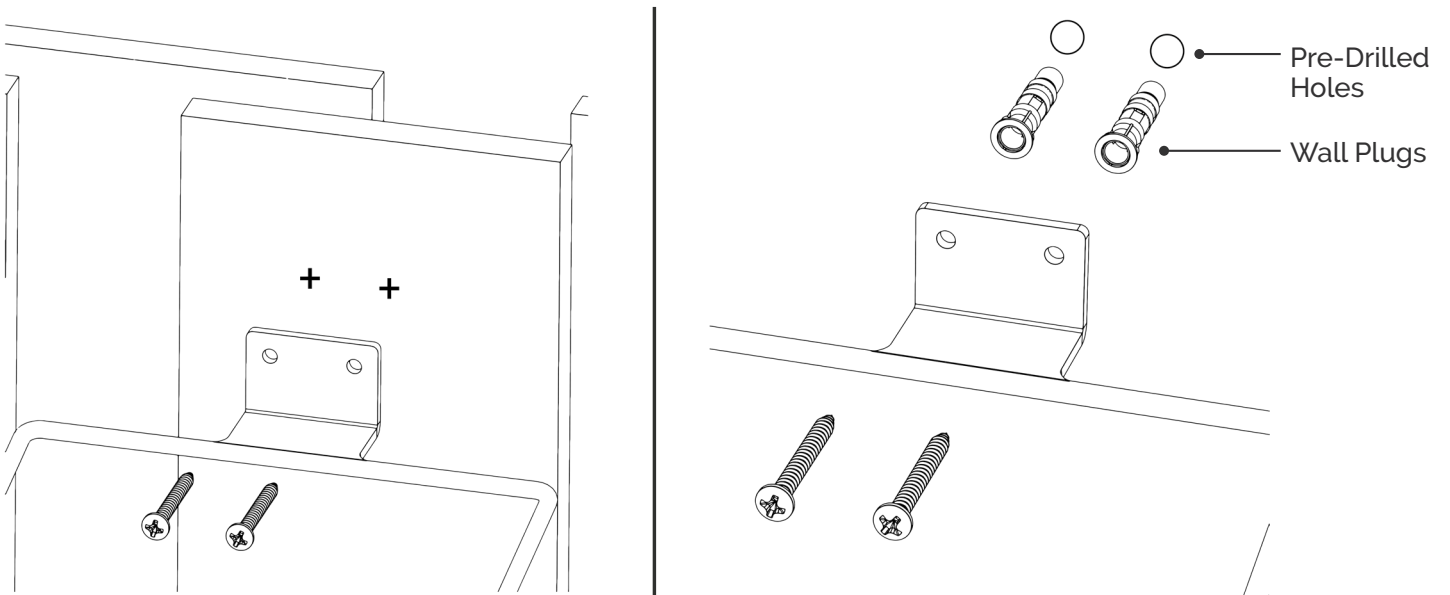
Step 1

Once you have located the desired location for the wall mount planters, ensure that the brackets are level, and mark the points for drilling.



Step 2

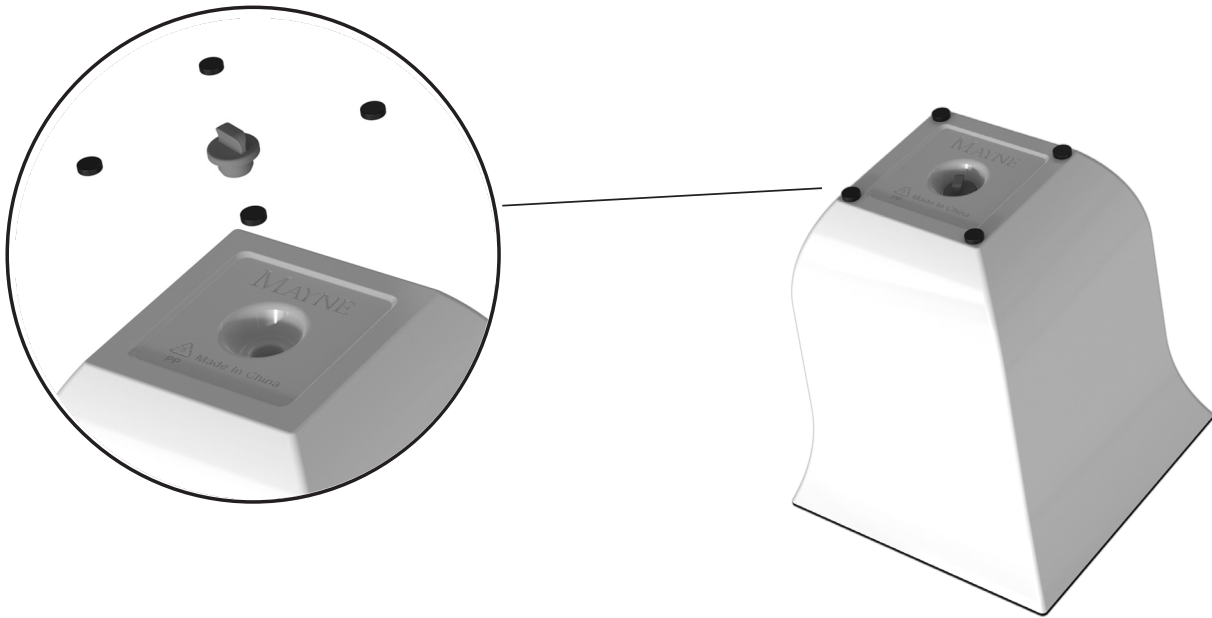
For installation on a wood surface (shed or fence), secure screws directly into the surface. For installation on drywall or masonry pre-drill holes, insert the wall plugs, and then secure brackets in place.



Step 3

For indoor use, securely install the red drain plug in the bottom of the planter.

For tabletop purposes attach the optional rubber feet to the bottom of the planter to protect surfaces and provide non-slip contact.



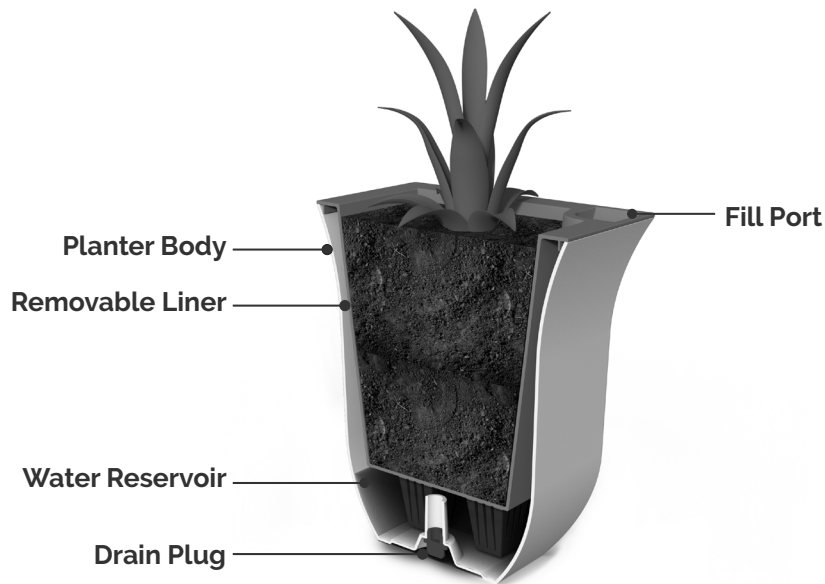
Step 4

Drop the liner into the planter body, then place the planter in the bracket.

This planter is suitable for flowers, succulents, or herbs. Plant and enjoy!



General Planting Recommendations



- This planter can be used both indoors and outdoors, individually or as a trio. For outdoor use, completely remove the drain plug.
- The fill port hole provides you with direct access to the water reservoir.
- Avoid using garden soil or top soil for container planting - it's often too dense and restricts air circulation. A potting mix is strongly recommended and will ensure better plant growth.
- We offers a limited 2-year warranty on the planter and a 1-year warranty on all included hardware.



Four Season Use



Indoor/Outdoor Use



Easy To Install