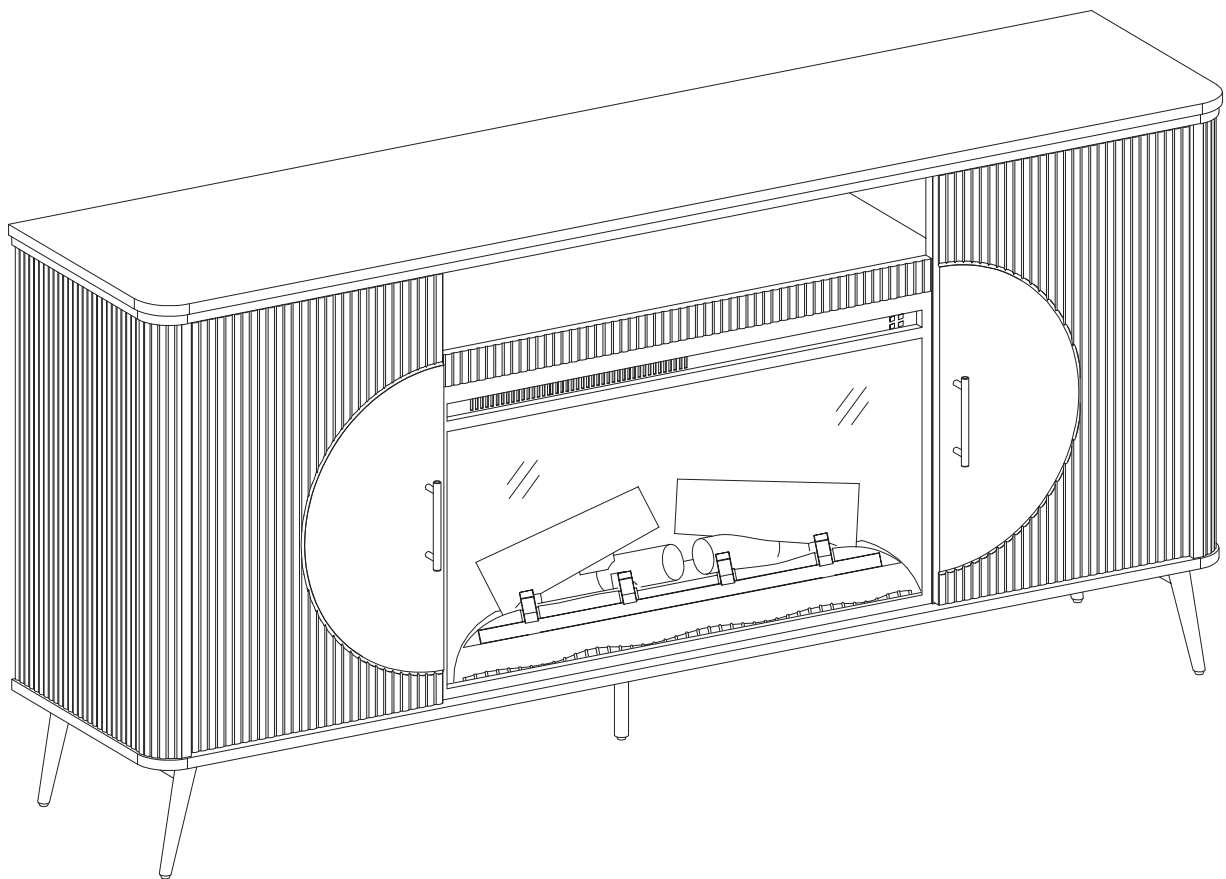
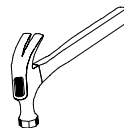
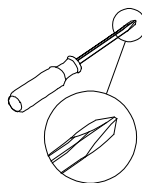
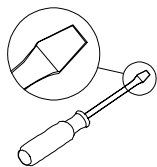


ASSEMBLY INSTRUCTIONS

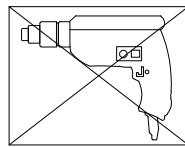


Before You Start

1. Read through each step carefully and follow the proper order.
2. Separate and count all your parts and hardware.
3. Give yourself enough room for the assembly process.
4. Assemble this product on the empty carton or carpet to avoid scratching.
5. Two people are recommended for ease in the assembly of this product.
6. Keep all small parts of this product away from children. They may cause serious injury.
7. Have the following tools: Flat Head Screwdriver, #2 Phillips Head Screwdriver and Hammer.

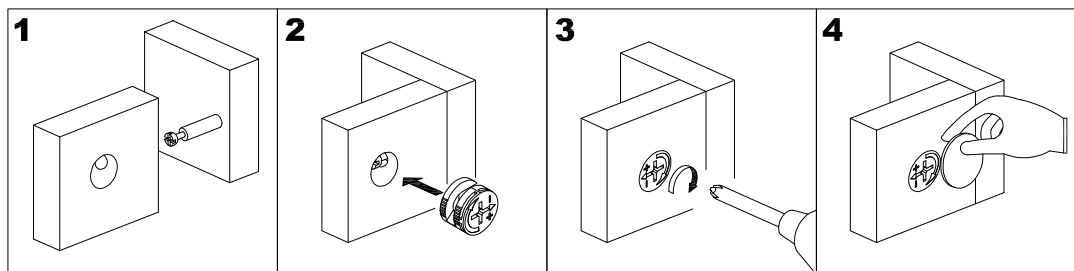


8. Power tools should not be used to assemble this product.

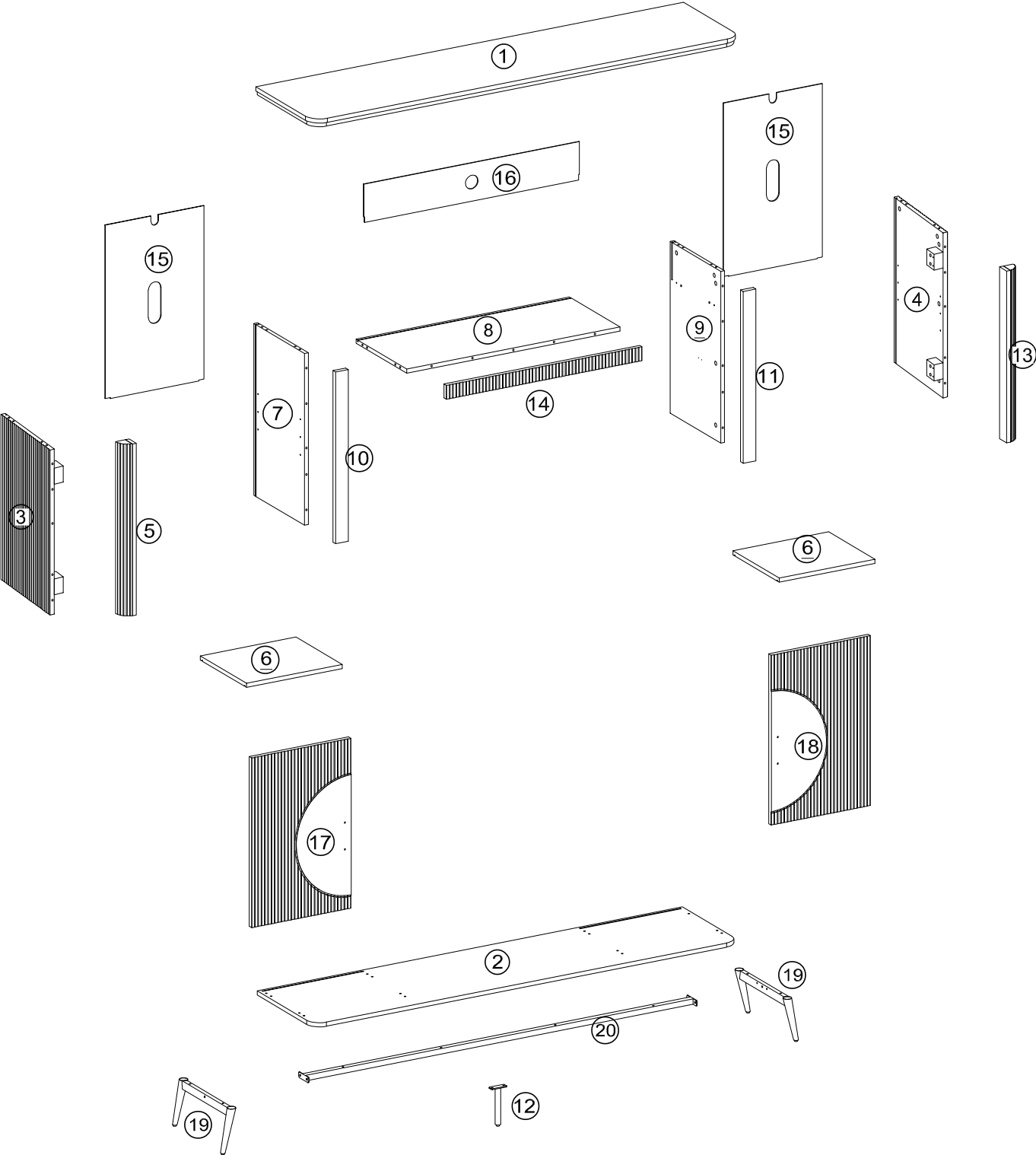


HOW THE KNOCK DOWN (KD) ASSEMBLY SYSTEM WORKS

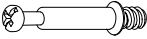




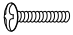
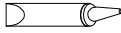







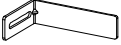
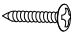
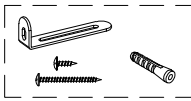
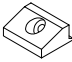
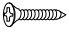
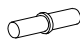
1. Screw the Cam Bolt into the pre-drilled hole on the panel. Make sure Cam Bolt goes into the pre-drilled hole on the end of panel for Cam Lock.
2. Insert the Cam Lock into the pre-drilled large hole on the panel. Make sure the arrow on the face of Cam Lock points towards Cam Bolt.
3. Take a Phillips screwdriver and rotate the Cam Lock clockwise to lock the Cam Bolt.
4. Use the sticker to conceal the Cam.



PARTS LIST



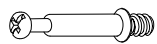
HARDWARE LIST

A		Ø6x35mm	Cam bolt	27 pcs
B		Ø15x11mm	Cam lock	27 pcs
C		Ø30mm	Cam cover	27 pcs
D		Ø8x30mm	Wooden dowel	30 pcs
E			Handle	2 pcs
F		Ø4x22mm	Handle Bolt	4 pcs
G			Glue tube	1 pc
H		M 4	Hex key	1 pc
J		Ø6x50mm	Screw	8 pcs
K		Ø6x30mm	Bolt	4 pcs
L			Metal plate	2 pcs
M		Ø3.5x14mm	Screw	4 pcs
N		Ø6x40mm	Bolt	6 pcs
O		Ø6x13mm	Bolt	6 pcs
P			L shape bracket	2 pcs
Q		Ø4x12mm	Screw	4 pcs
R			Tipping restraint	2 set
S			Plastic wedge	16 pcs
T		Ø3x17mm	Flat-head screw	16 pcs
U		Ø5x16mm	Shelf support	8 pcs

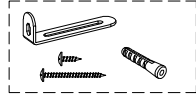
HARDWARE LIST

V		Ø35mm	Europe Hinge	4 pcs
W		Ø3.5x14mm	Hinge Screw	8 pcs
X		—	Fireplace Insert	1 pc

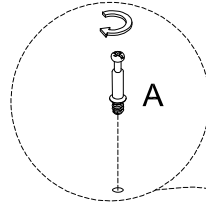
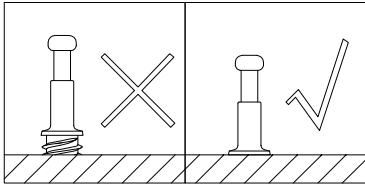
STEP 1



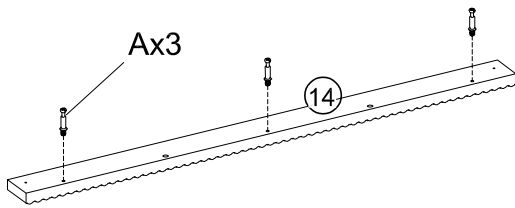
Ax27



Rx2

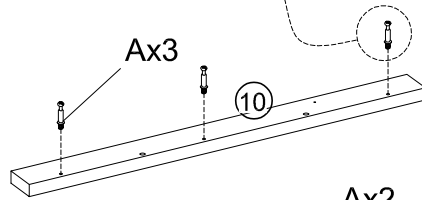


A



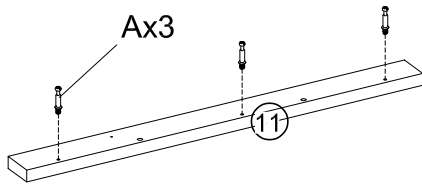
Ax3

14



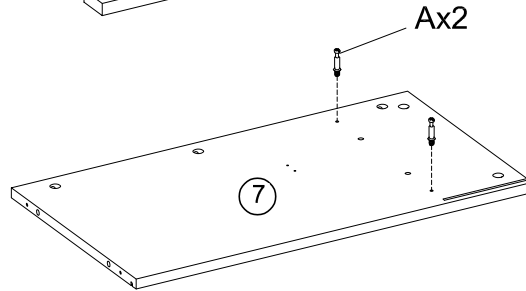
Ax3

10



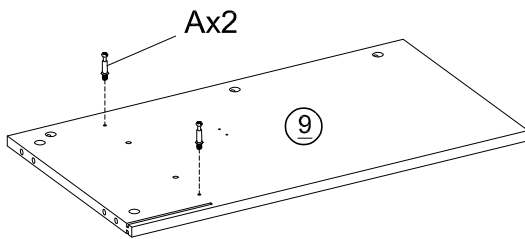
Ax3

11



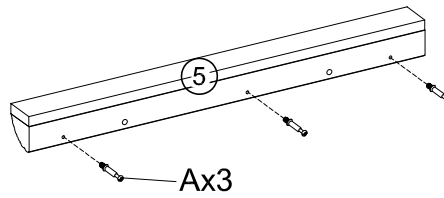
Ax2

7



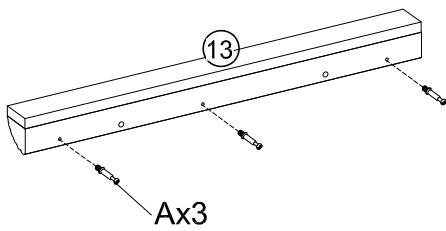
Ax2

9



5

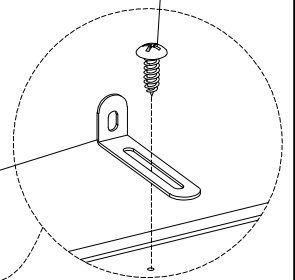
Ax3



13

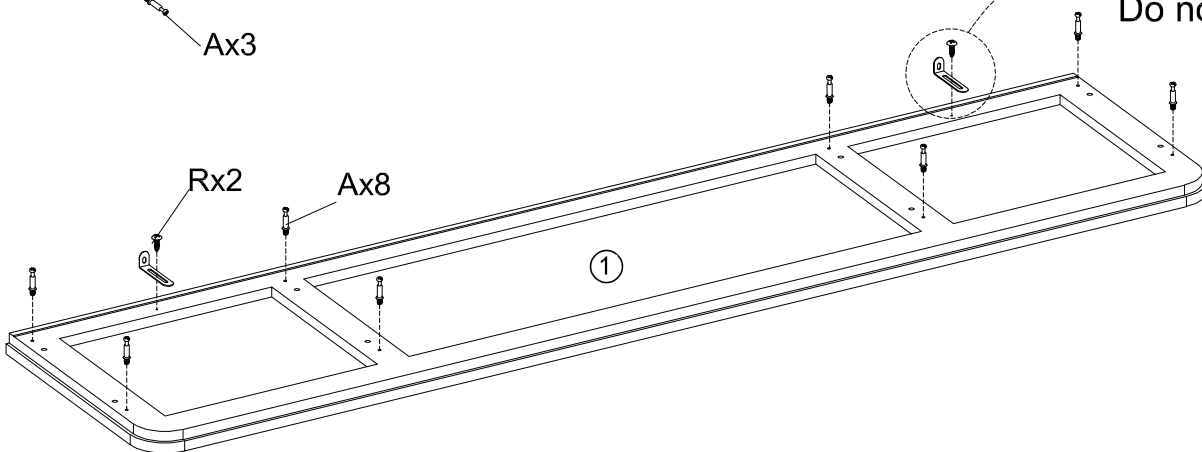
Ax3

L shape bracket



Short screw

Do not tighten





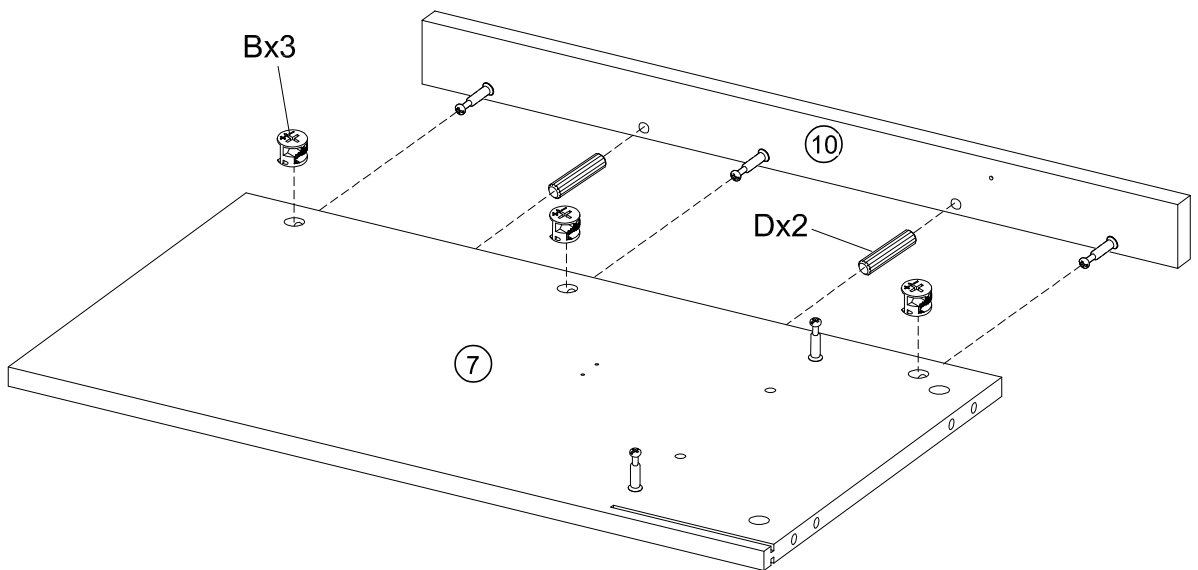
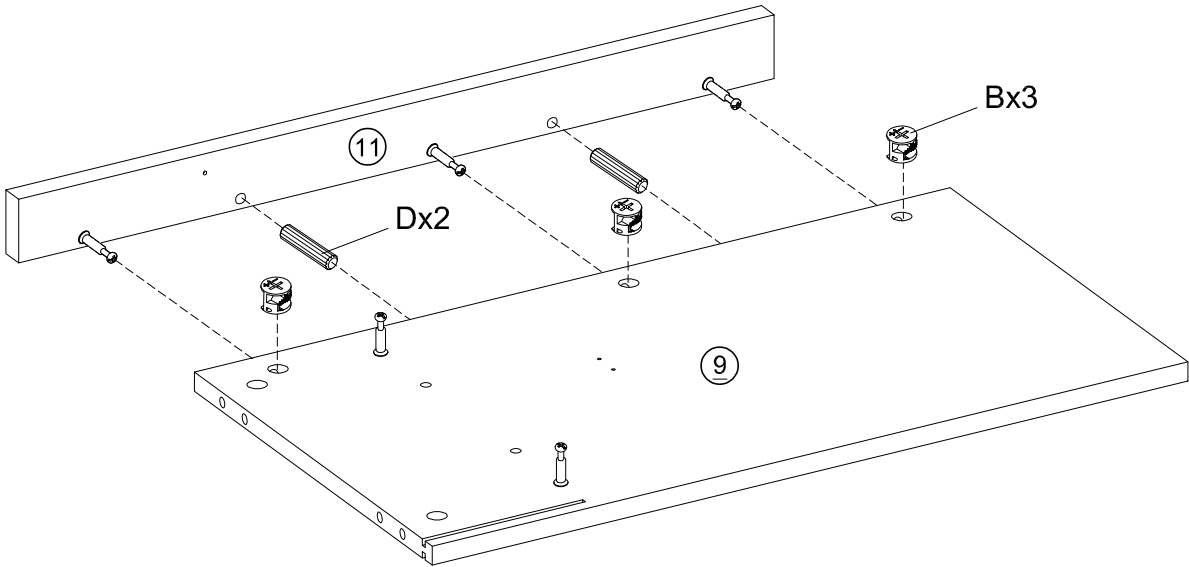
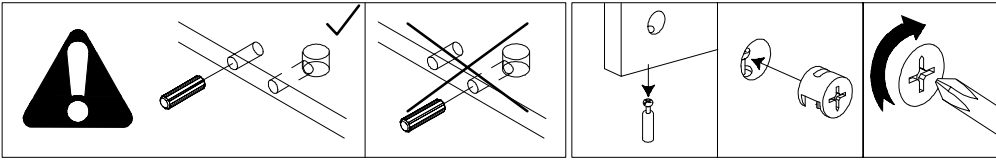
Rx2

Ax8

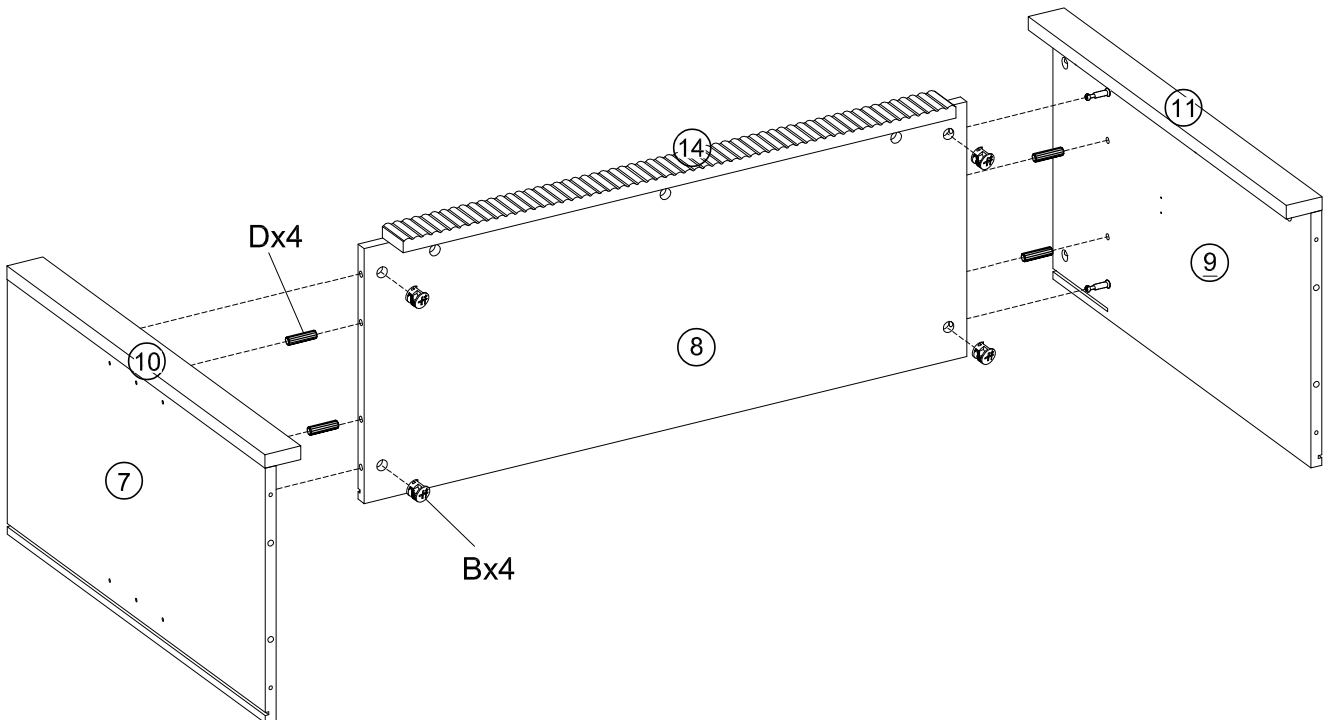
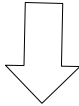
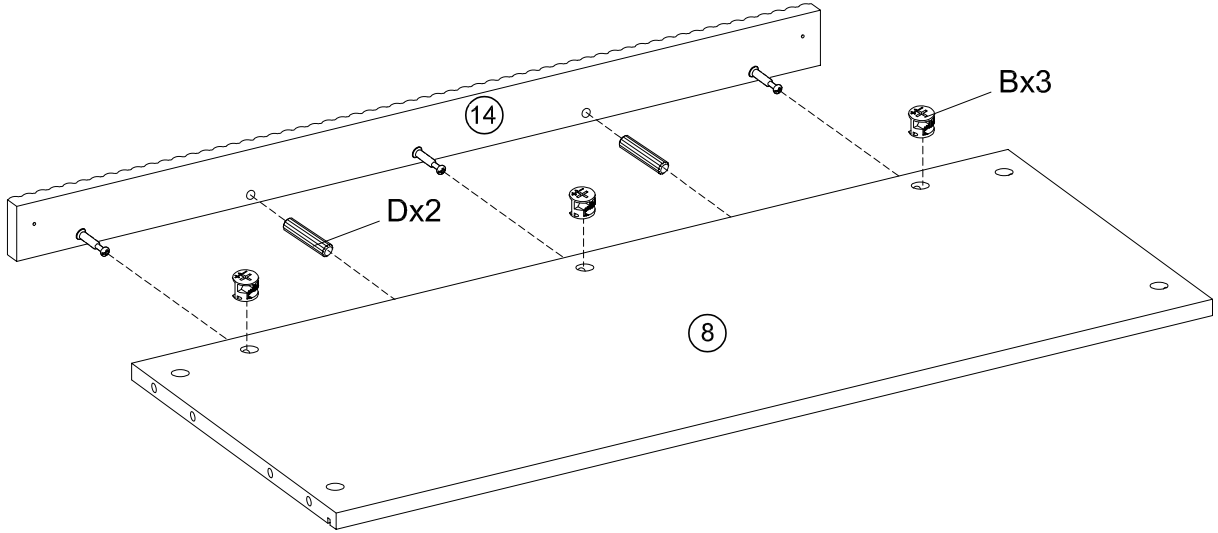
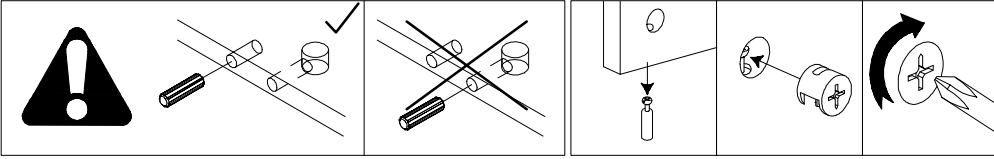
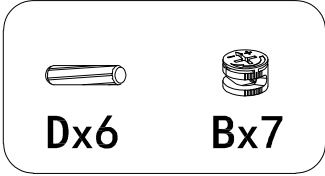
1

STEP 2

 
Dx4 Bx6



STEP 3



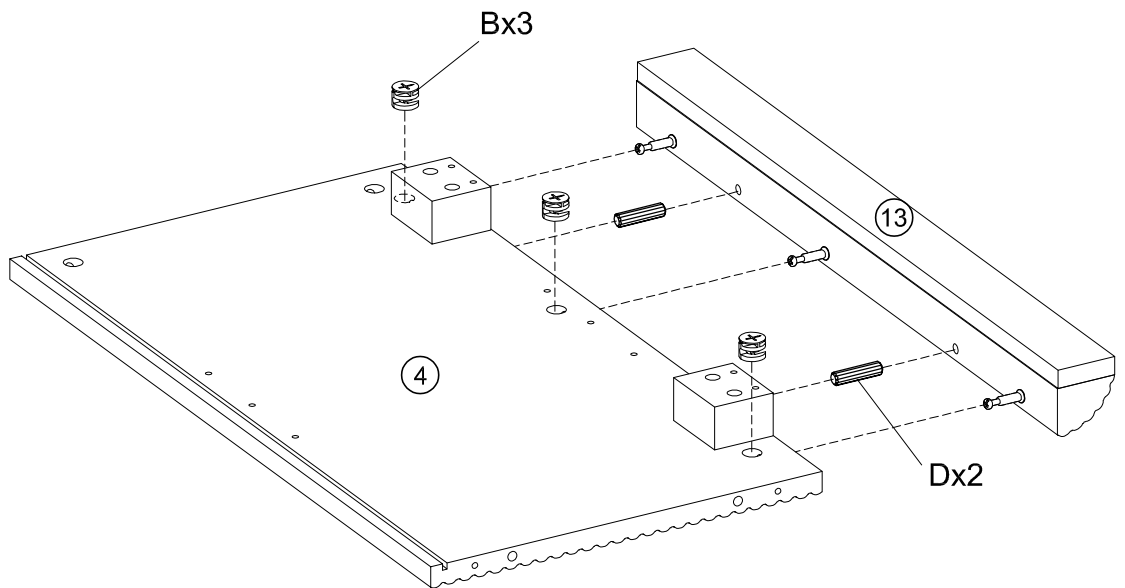
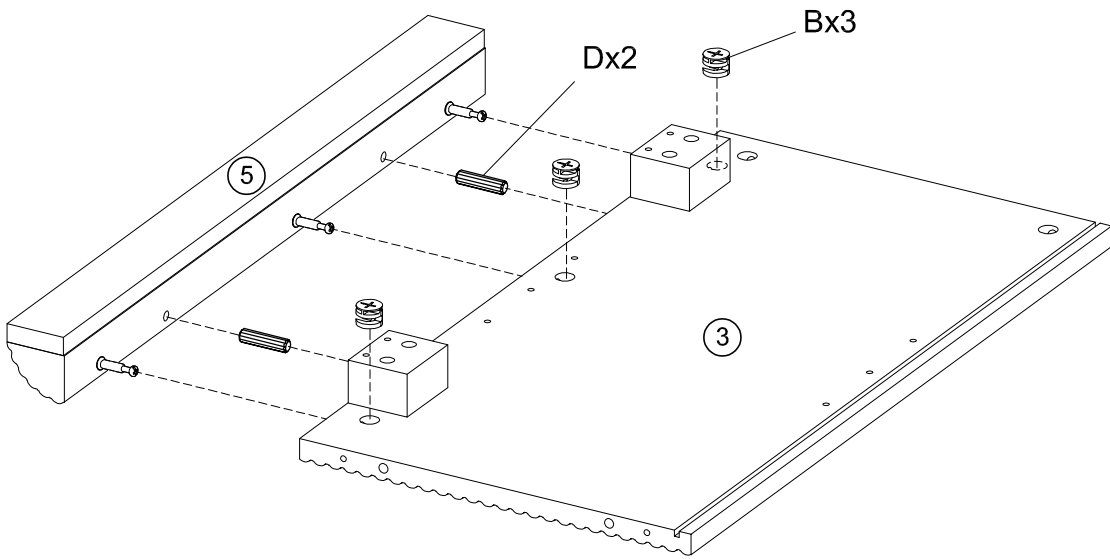
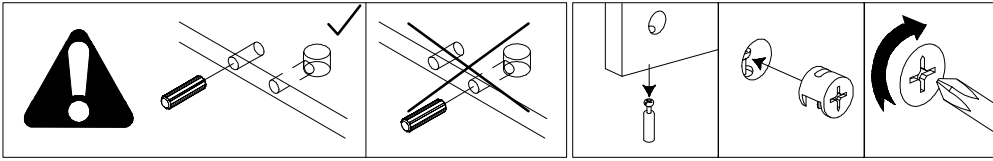
STEP 4



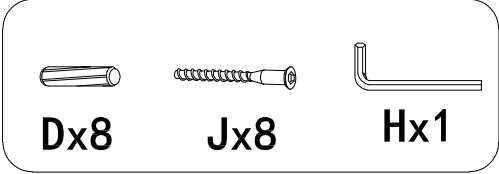
Dx4



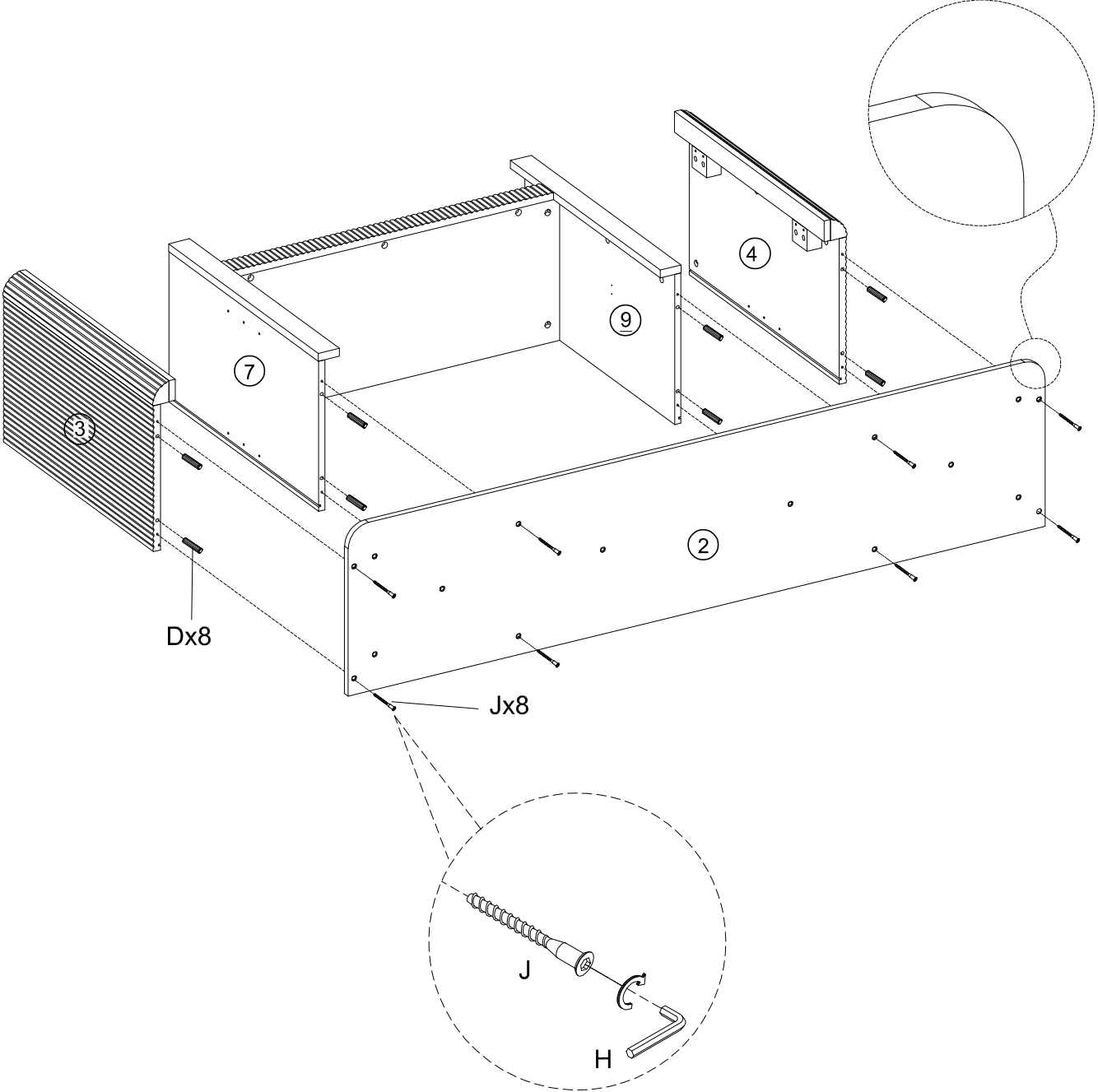
Bx6



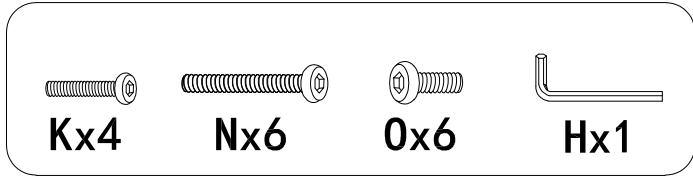
STEP 5



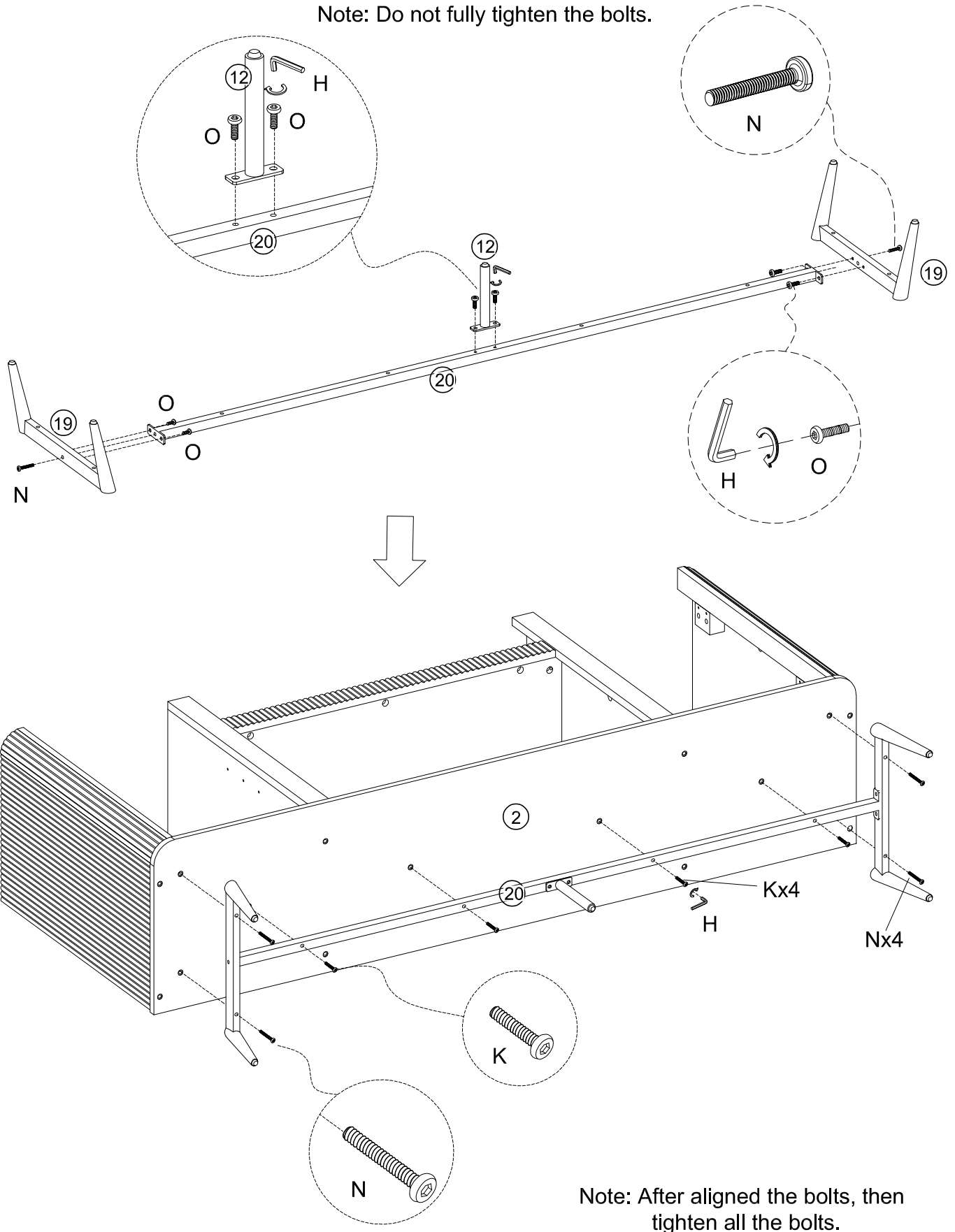
The round corner should be upward.



STEP 6



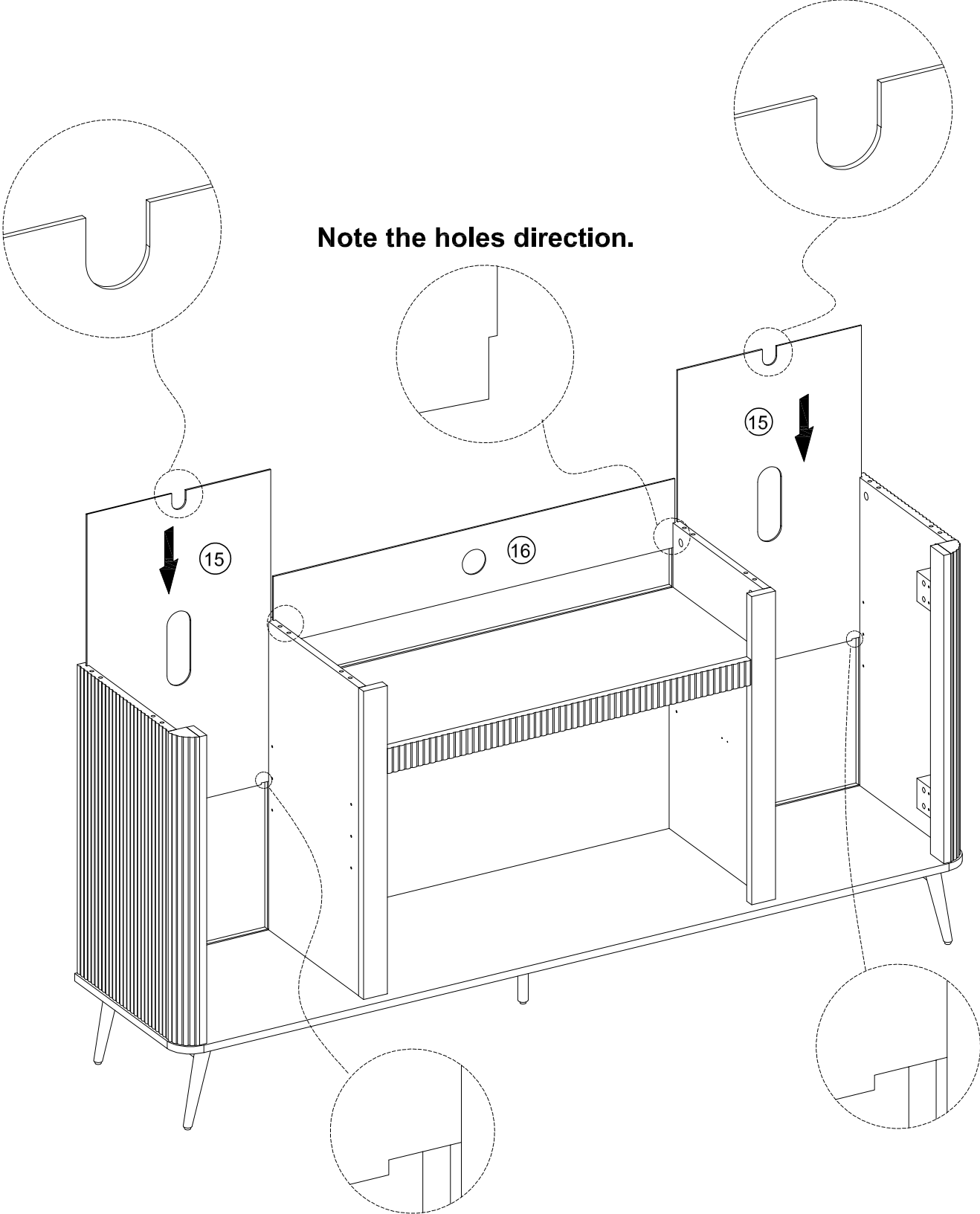
Note: Do not fully tighten the bolts.



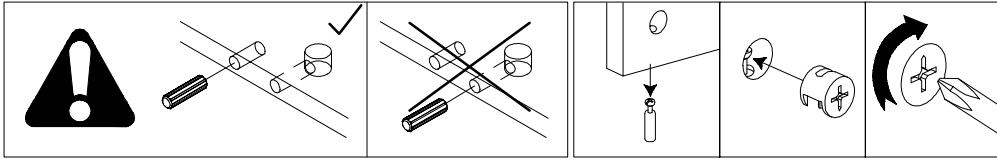
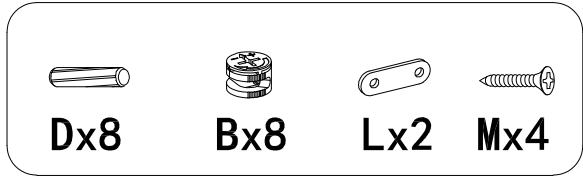
Note: After aligned the bolts, then tighten all the bolts.

STEP 7

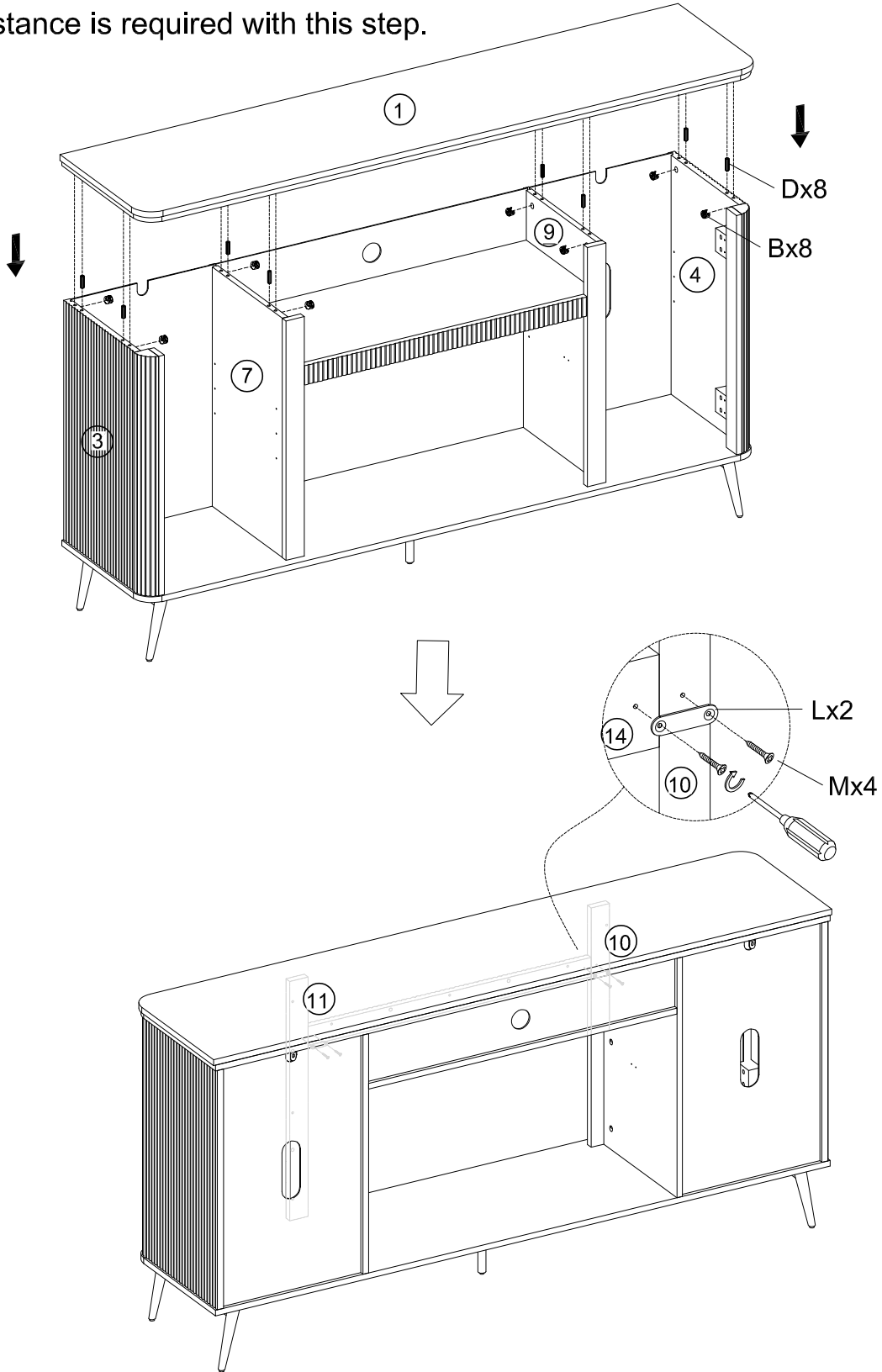
Note the holes direction.



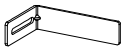
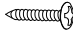

STEP 8

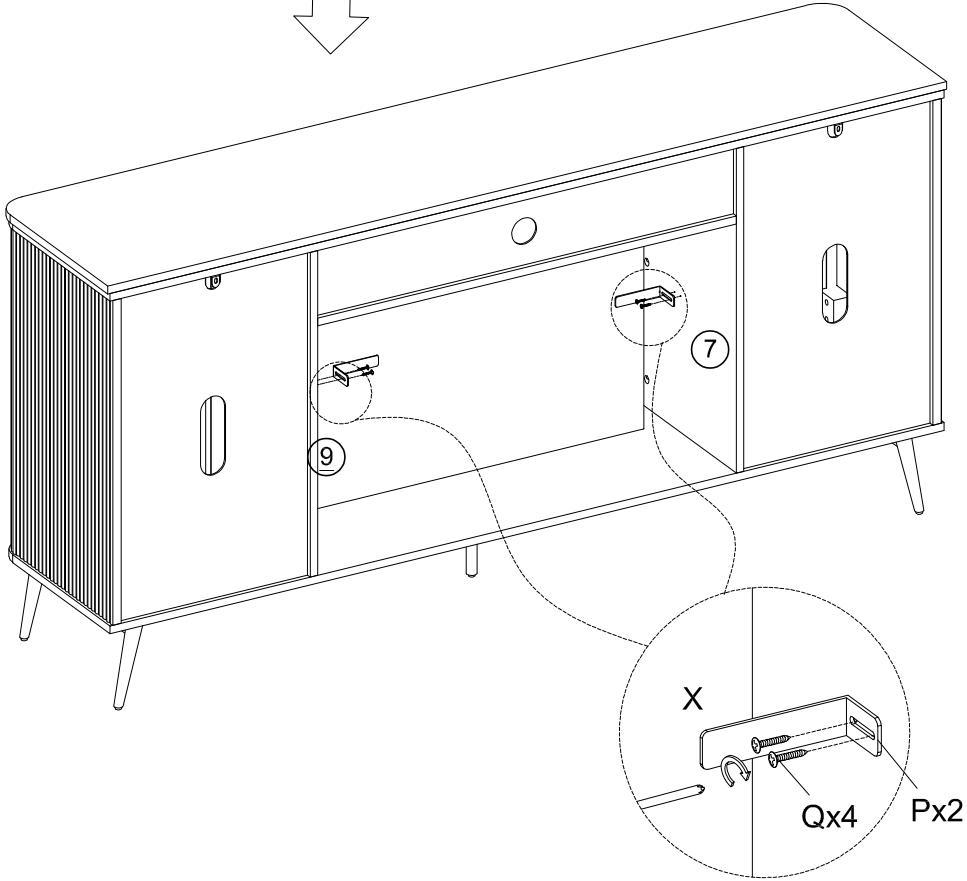
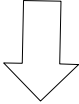
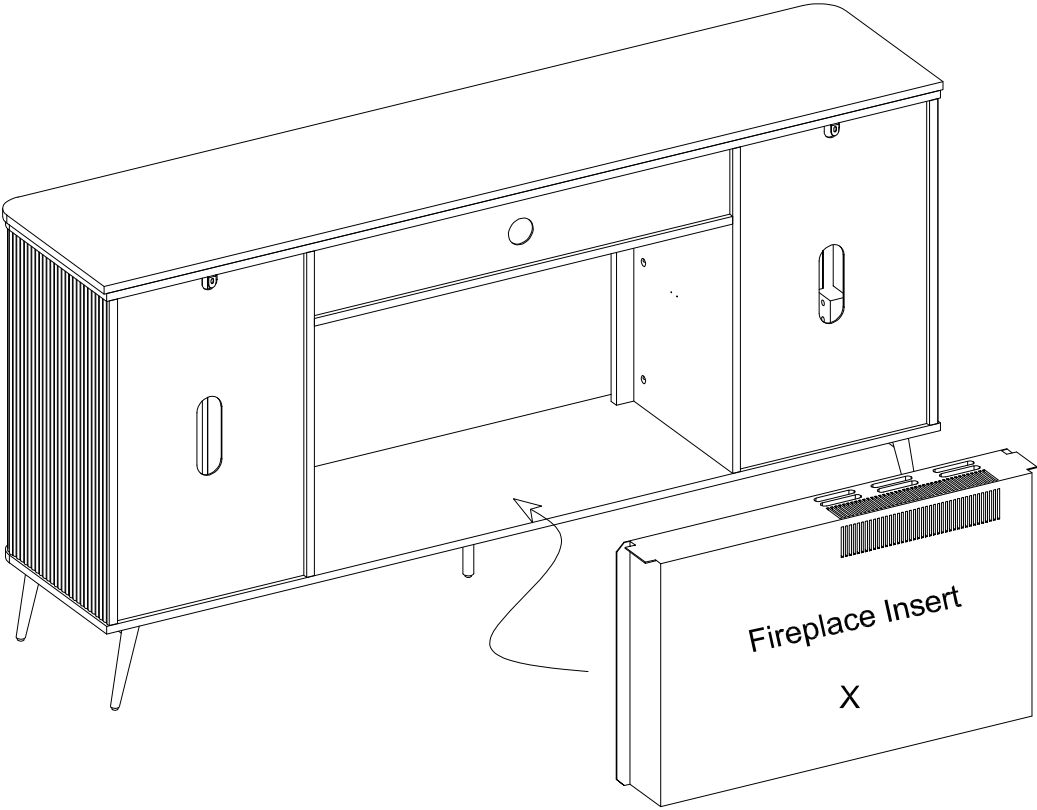


An assistance is required with this step.


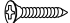


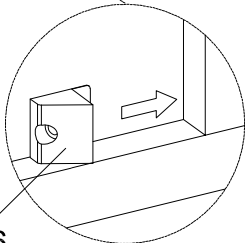
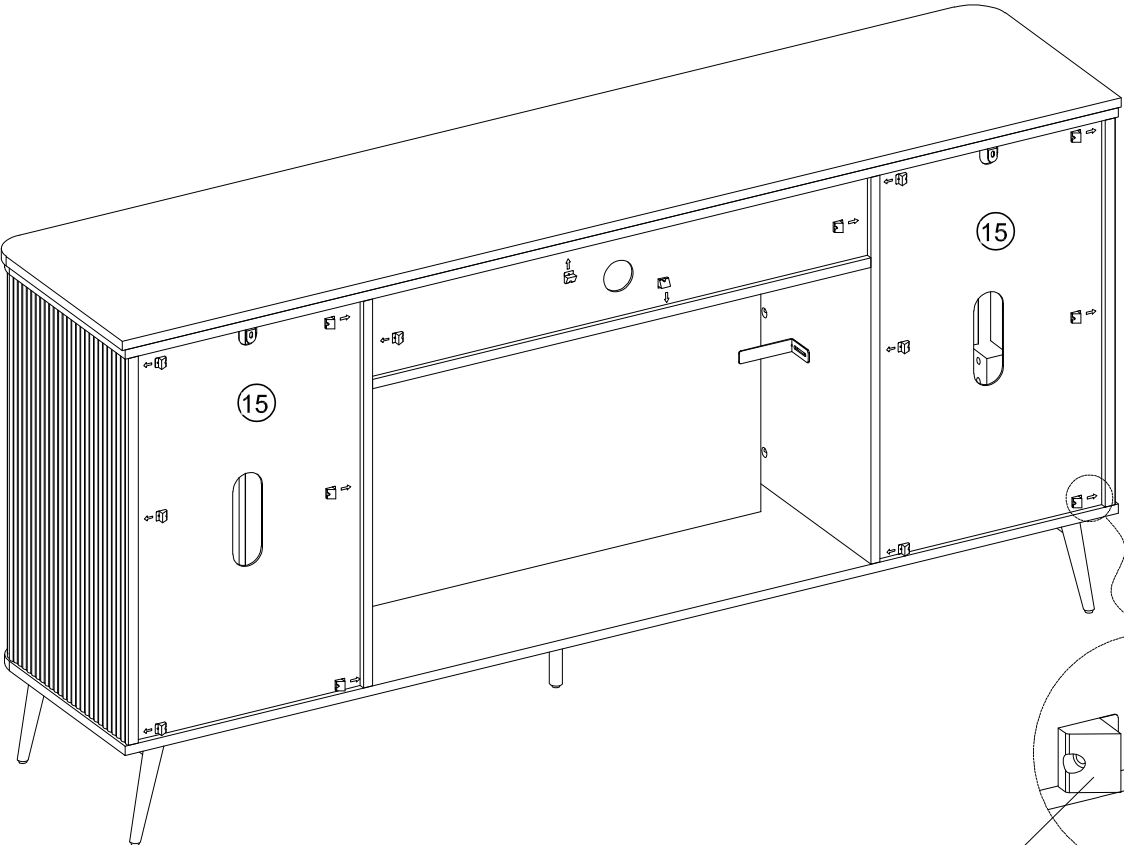
STEP 9

 Px2  Qx4  Xx1

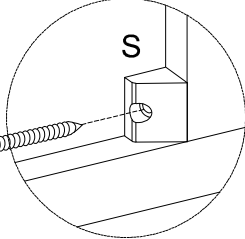


STEP 10

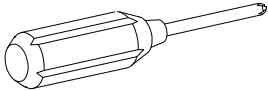
 
Sx16 **Tx16**



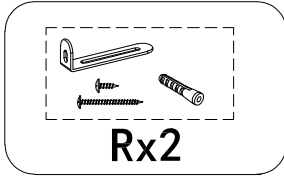
Sx16



Tx16

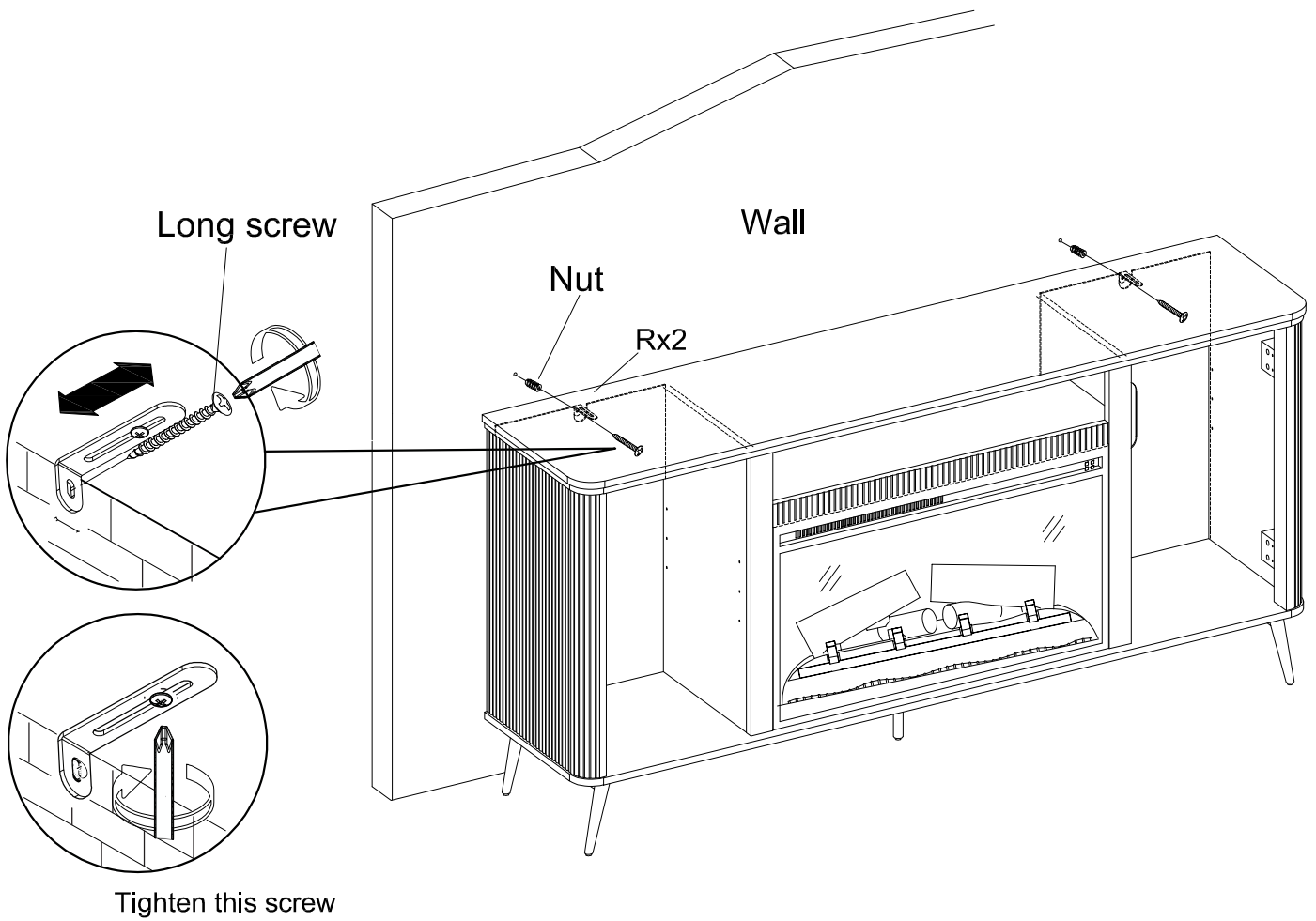
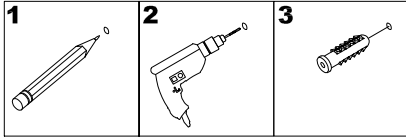


STEP 11

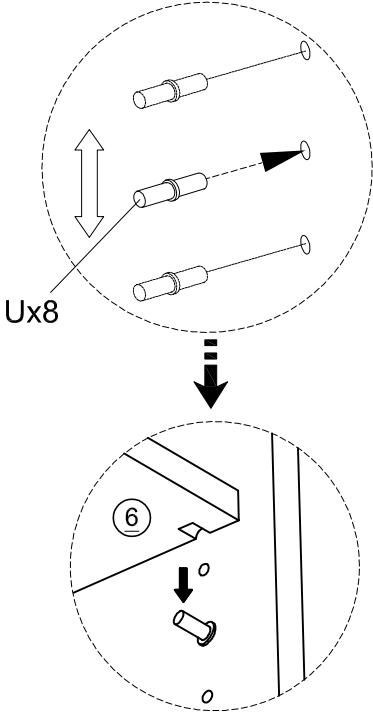
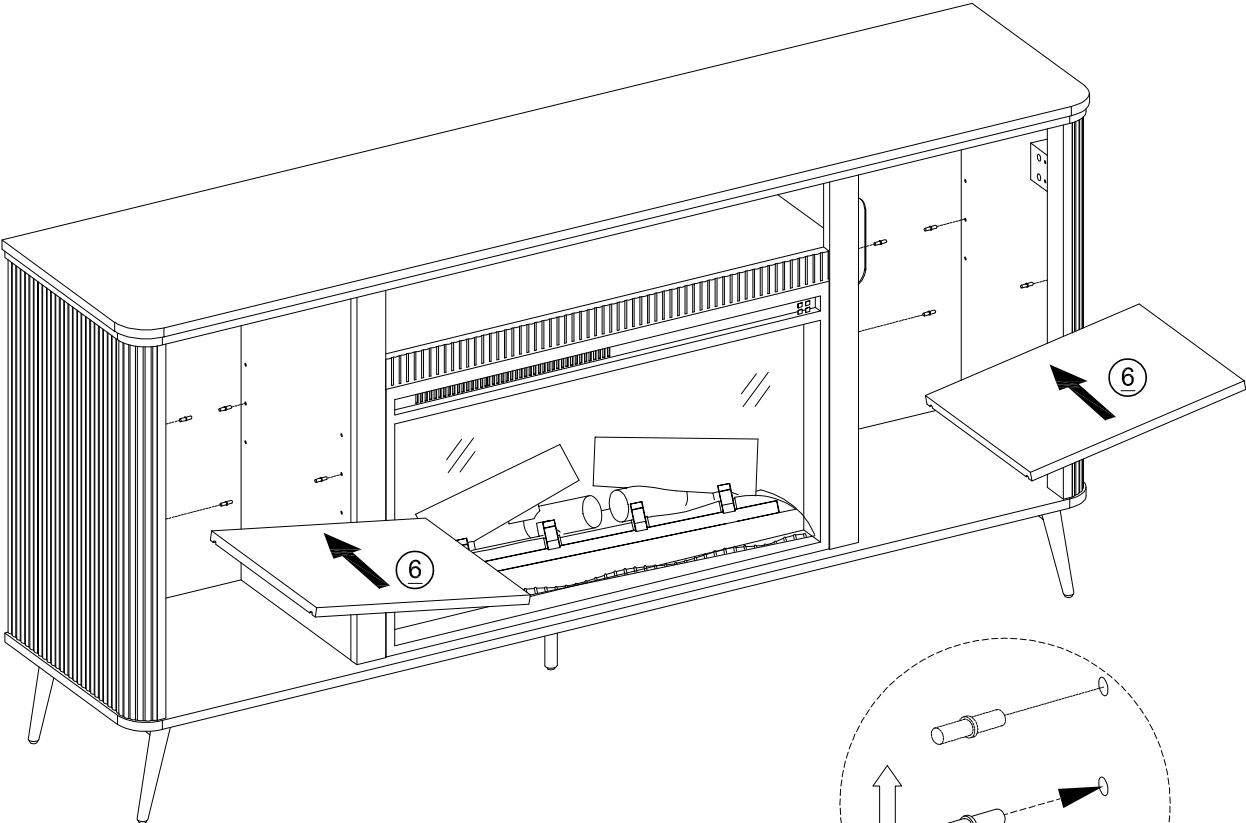


WARNING

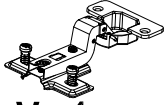


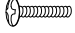
Serious or fatal injuries can occur from furniture tipping over. To prevent the furniture from tipping over, we recommend that it is permanently fixed to the wall. Wall anchor and hardware are included with this product. Please make sure hardware is suitable for your walls before installing, as different wall materials may require different types of anchors.



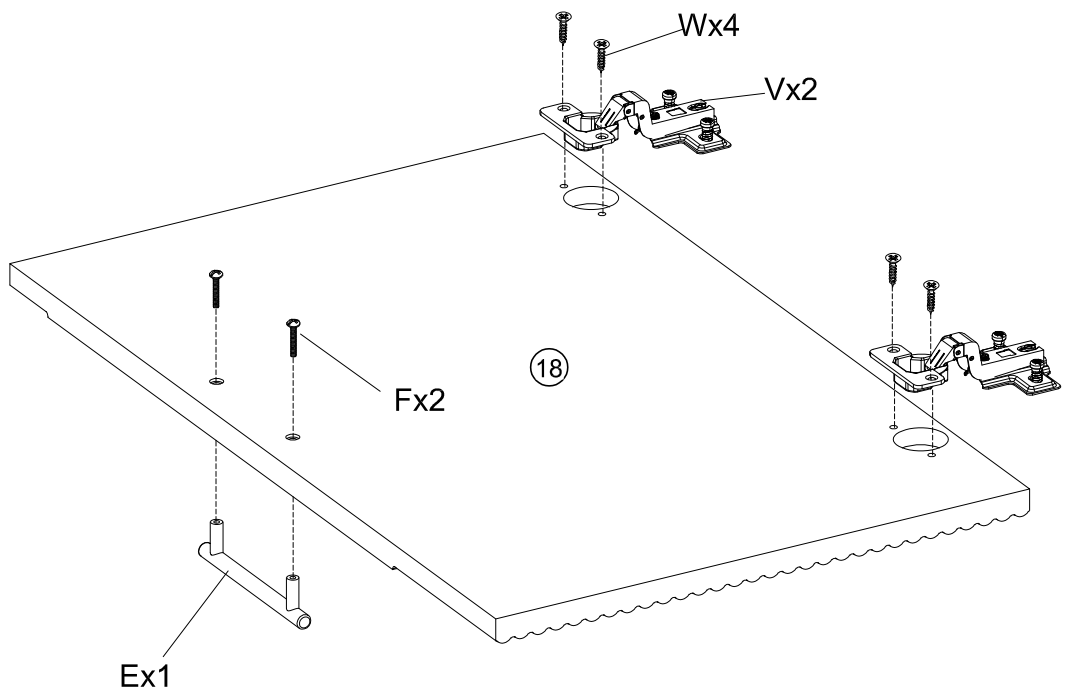
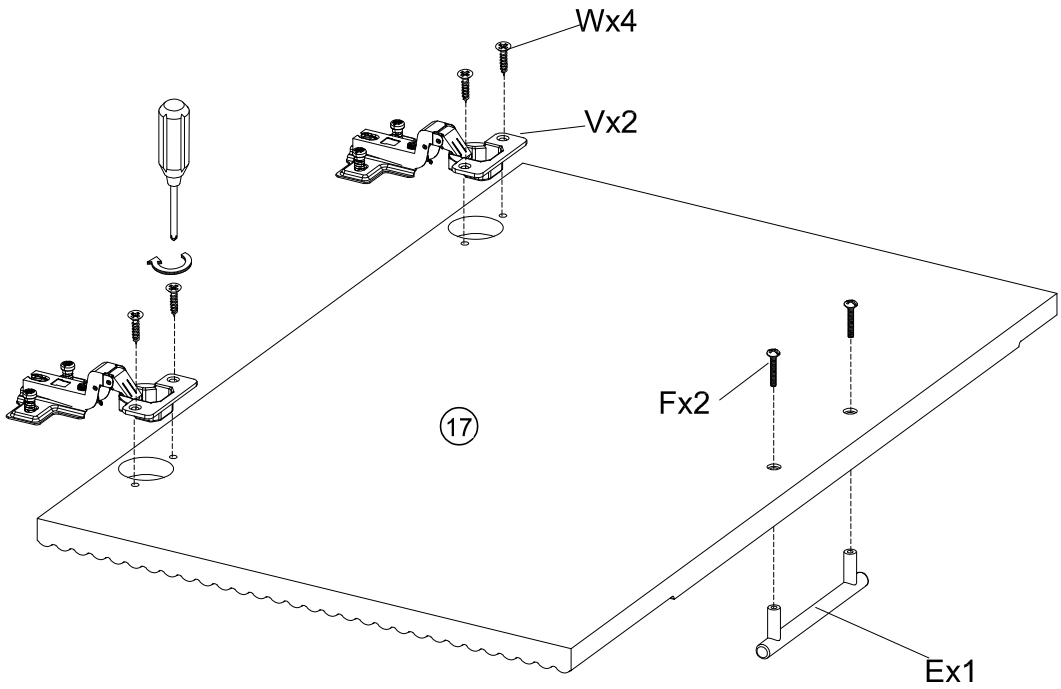
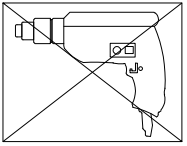
STEP 12



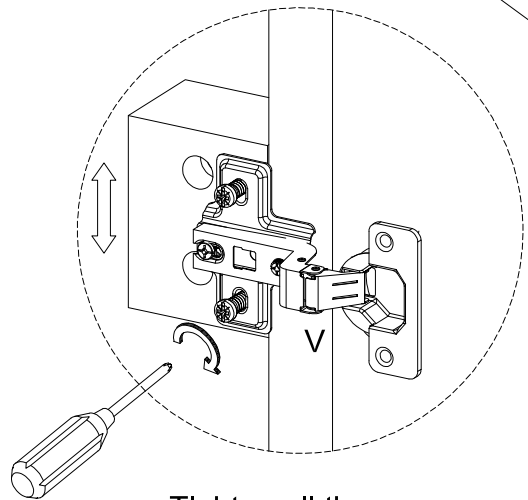
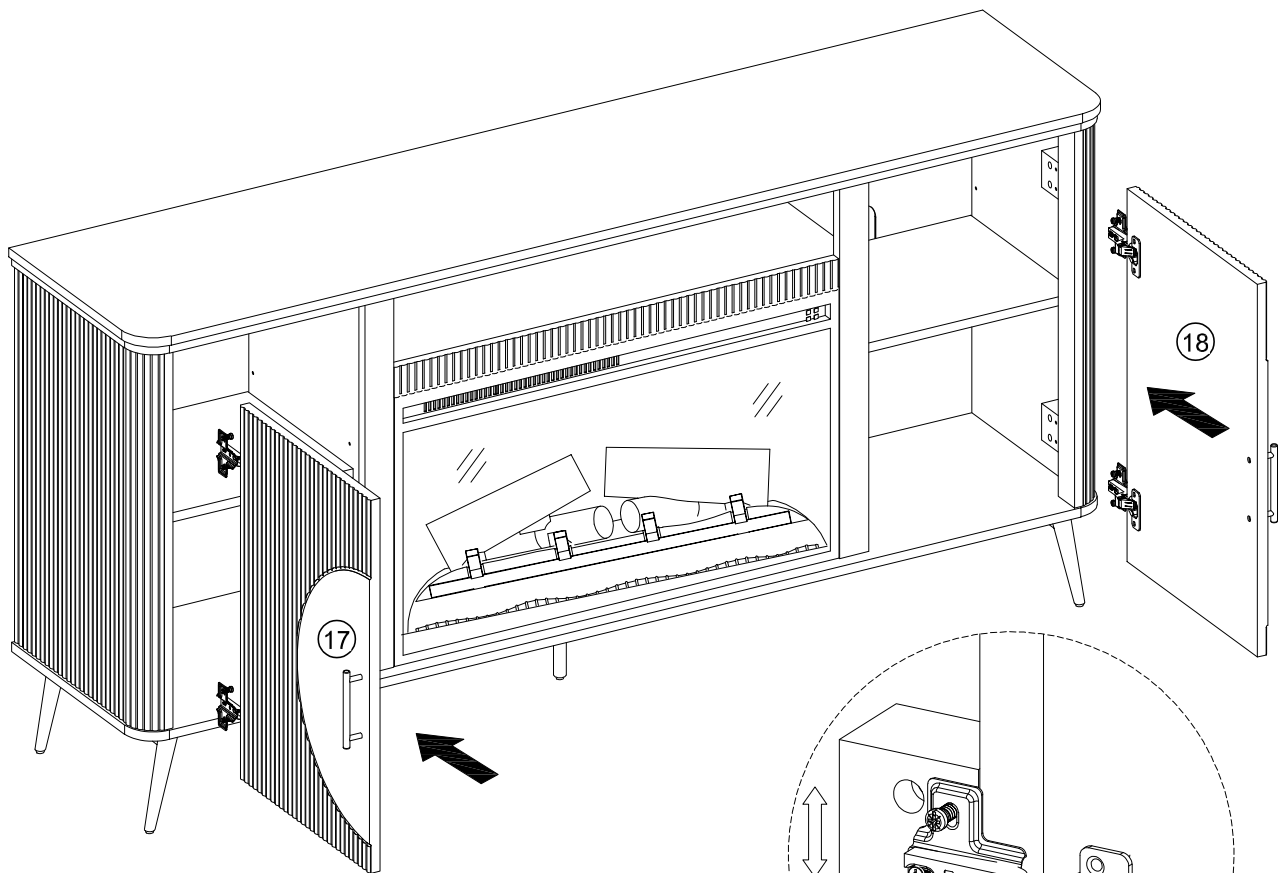
STEP 13

 Vx4	 Wx8	 Ex2	 Fx4
--	--	--	--

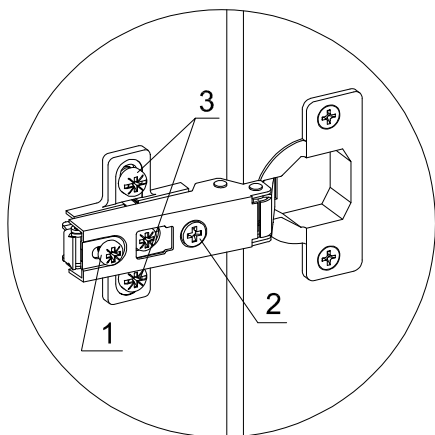
Power tools should not be used to assemble and adjust the doors.



STEP 14



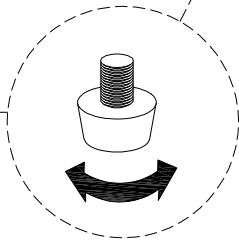
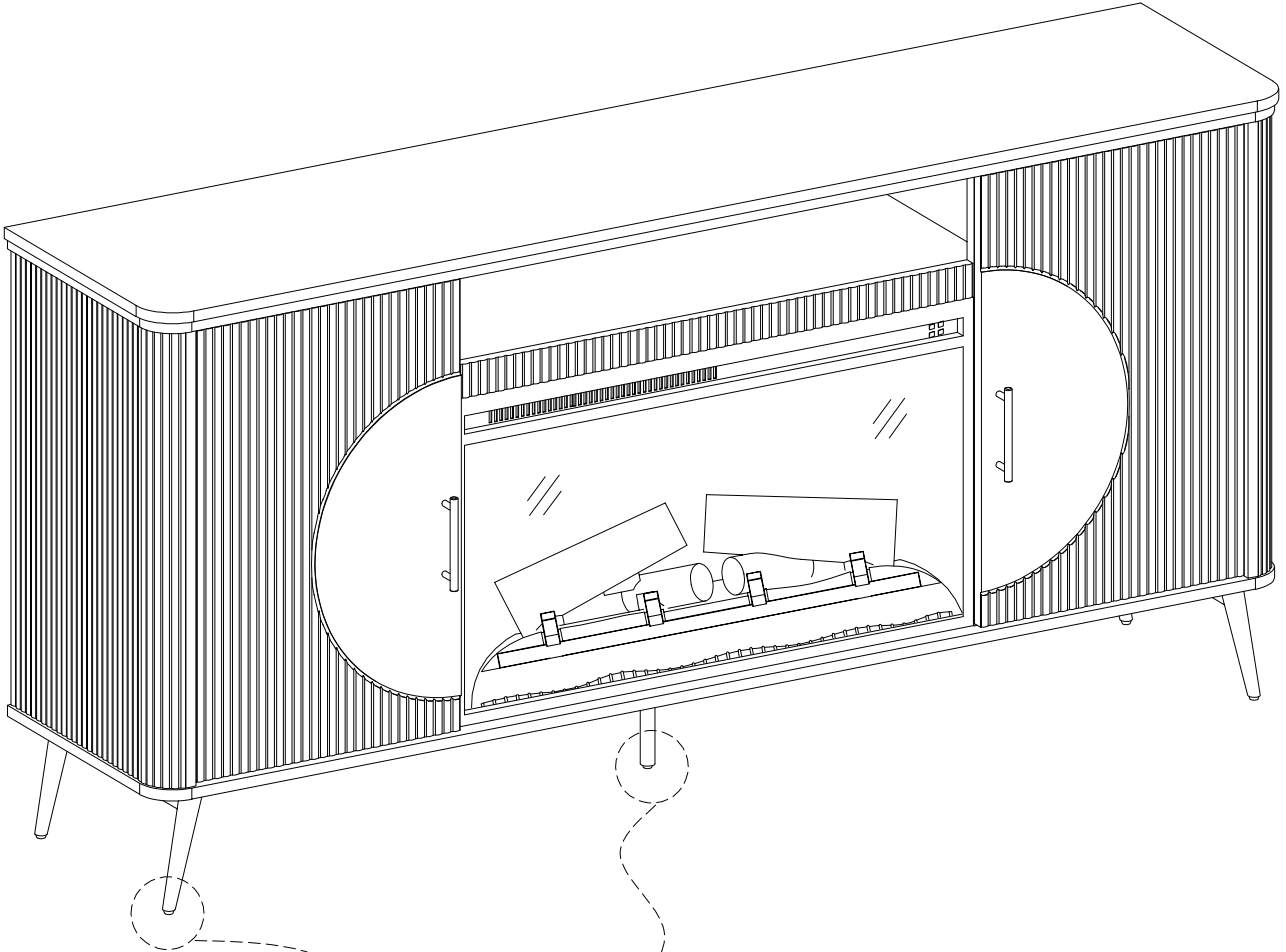
Tighten all the screws



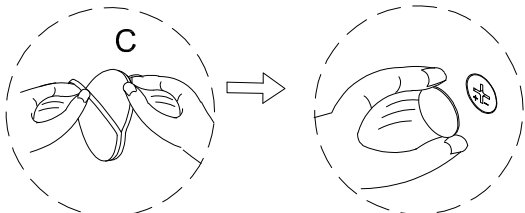
If you find that the doors need to be adjusted slightly, turn the appropriate screw, as illustrated upper.

- 1. TO ADJUST THE DOOR FORWARD OR BACKWARD.**
- 2. TO ADJUST THE DOOR TO RIGHT OR TO LEFT.**
- 3. TO ADJUST THE DOOR UP OR DOWN.**

STEP 15



If the ground is uneven, adjust the foot levelers by rotating them to your preferred height.

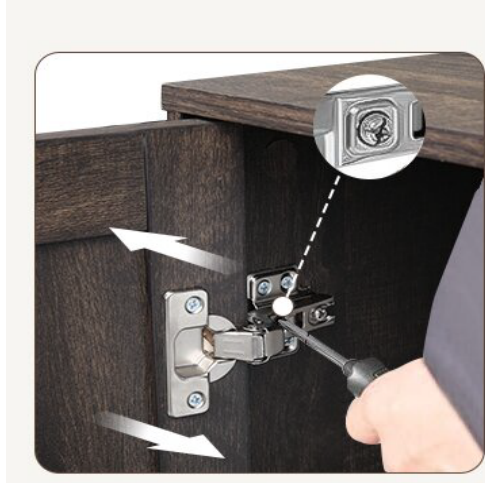
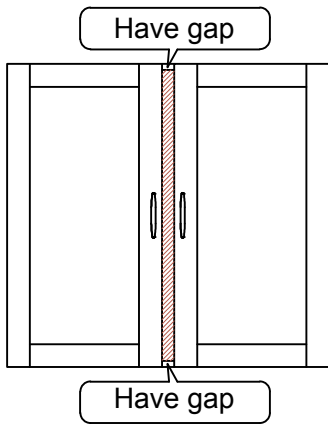


· Stick stickers (C) on cam locks (B).

Final Assembly

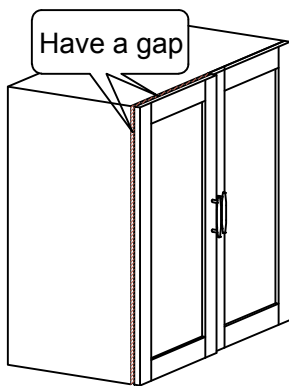
How do I get the two doors to align flat by adjusting the hinges?

1



Turn the screw to the right can make the door approach inside.

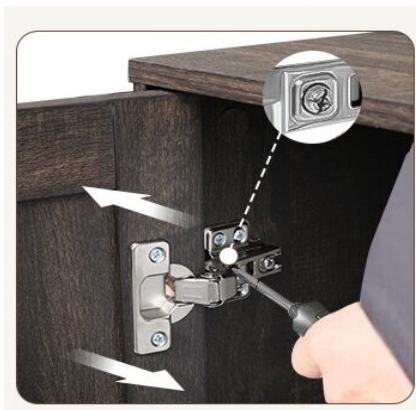
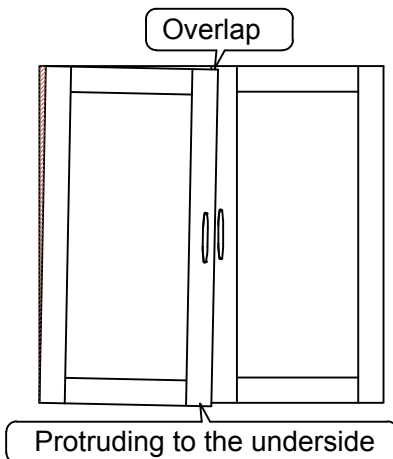
2



1. Rotate the screws to the left
2. Push the door to the cabinet
3. Rotate the screws to the right

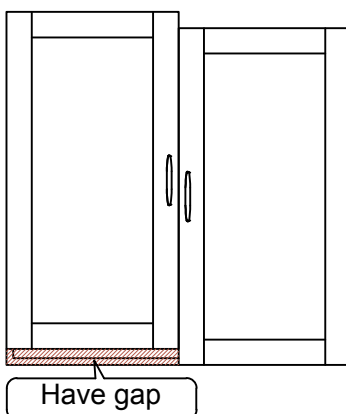
Please take the following steps to adjust first.

3



Turn the screw to the left can make the top of the door tilted outward.

4



1. Turn the screw to the left
2. Lower the door's height so that 2 doors are of the same height
3. Turn the screw to the right