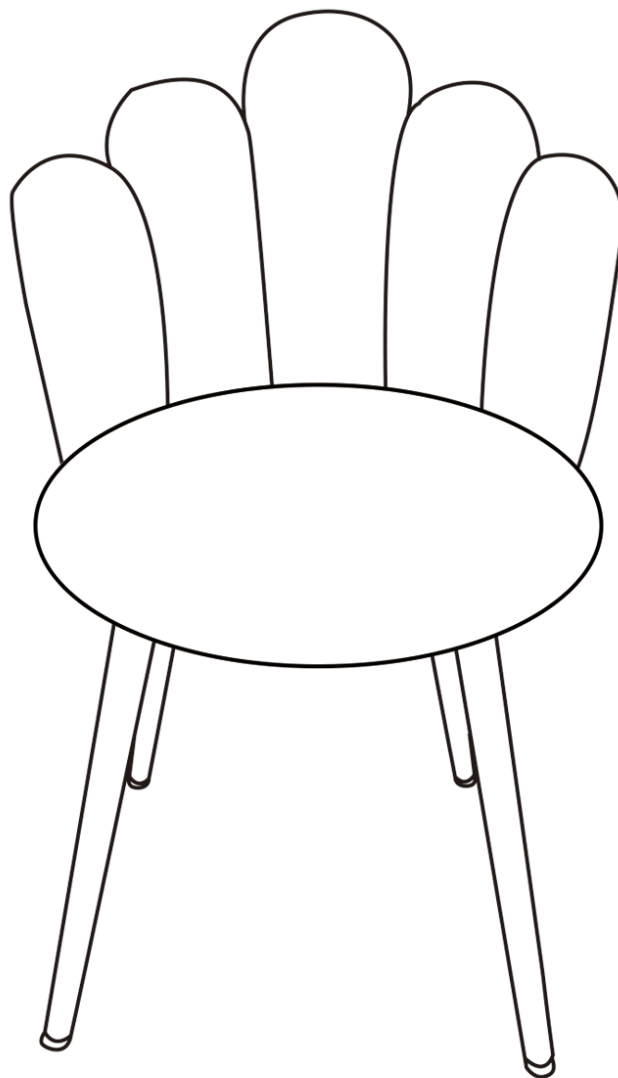


Assembly Instructions



INSTALLATION GUIDE

1 PERSON ASSEMBLY | 15 MINUTES ASSEMBLY TIME (APPROXIMATE)

TOOLS REQUIRED: ALLEN WRENCHES (PROVIDED)

ASSEMBLY REQUIREMENT

1. Remove all packaging materials, staples and packing straps from the carton.
2. Refer to Parts Checklist and ensure they are complete before you start assembling.

TIPS FOR ASSEMBLY

1. Allow ample room for assembly and in close proximity to where product will be placed.
2. Assemble the product on a surface that does not scratch or damage the exterior and finish of the furniture.
3. During assembly, do not over-tighten any fittings as this may cause damage.
4. Do not use power tools to assemble this product.
5. Do not sit or stand on the partially assembled product, use only installed products.

CARE AND USE

- Recommended for indoor and residential use only.
- Wipe with a soft, dry cloth. Do not use harsh abrasives or household cleaners as they may damage the finish.
- Check all the fittings periodically and re-tighten as necessary. Do not use the product if any of the parts is damaged or broken.

Vanity Chair Limited Warranty

The accent chairs are warranted from the date of purchase against failure due to material and workmanship as follows

1 YEAR on all non- moving metal parts.

1 YEAR on component parts including control Mechanisms, gas lift cylinder, wood, plastic parts, base and casters.

1 YEAR on upholstery leather and foam against wear and deterioration.

To make a warranty claim, please contact us, provide model number, proof of purchase description of the problem.

At it's option we will:

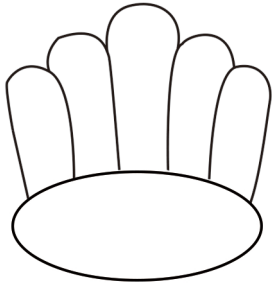
a) Supply compatible components of current manufacture.

b) Send a new product if necessary, customer must return the original product to the warehouse.

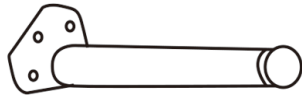
RETURN POLICY

Customers can request to return the item within 30 days of receiving it. If it is a product quality issue, the prepaid label will be provided by us.

PARTS CHECKLIST



Ax1pc



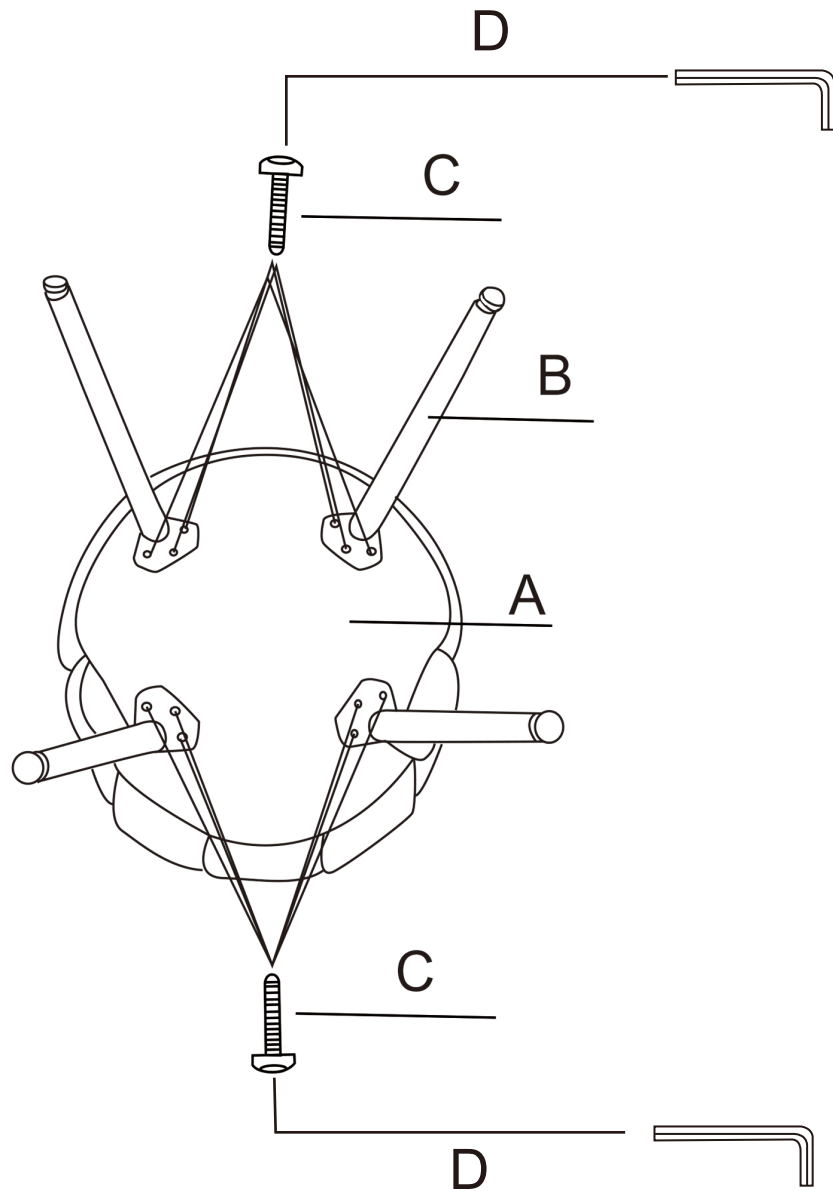
Bx4pc



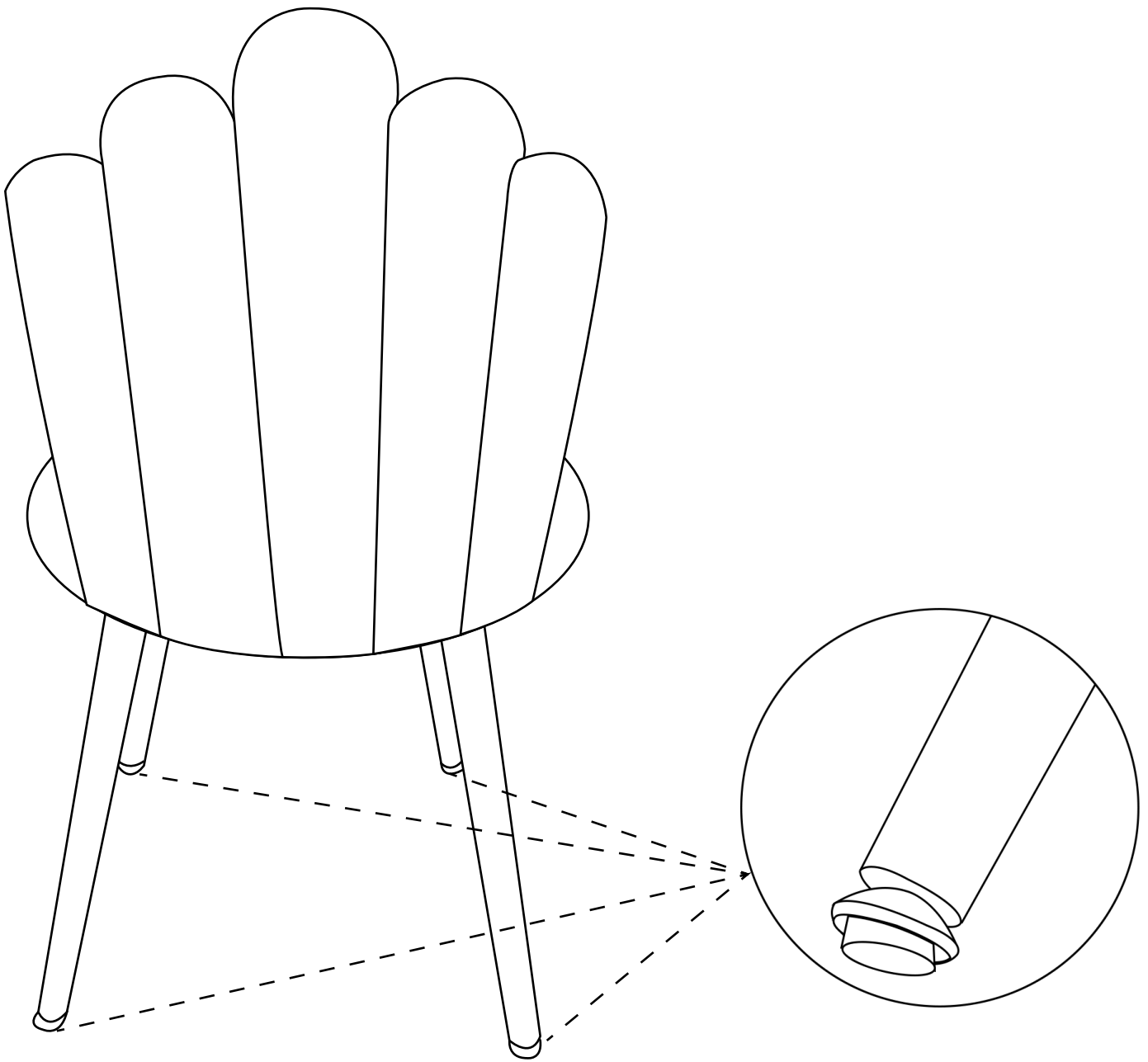
Cx12pcs(M6x20)



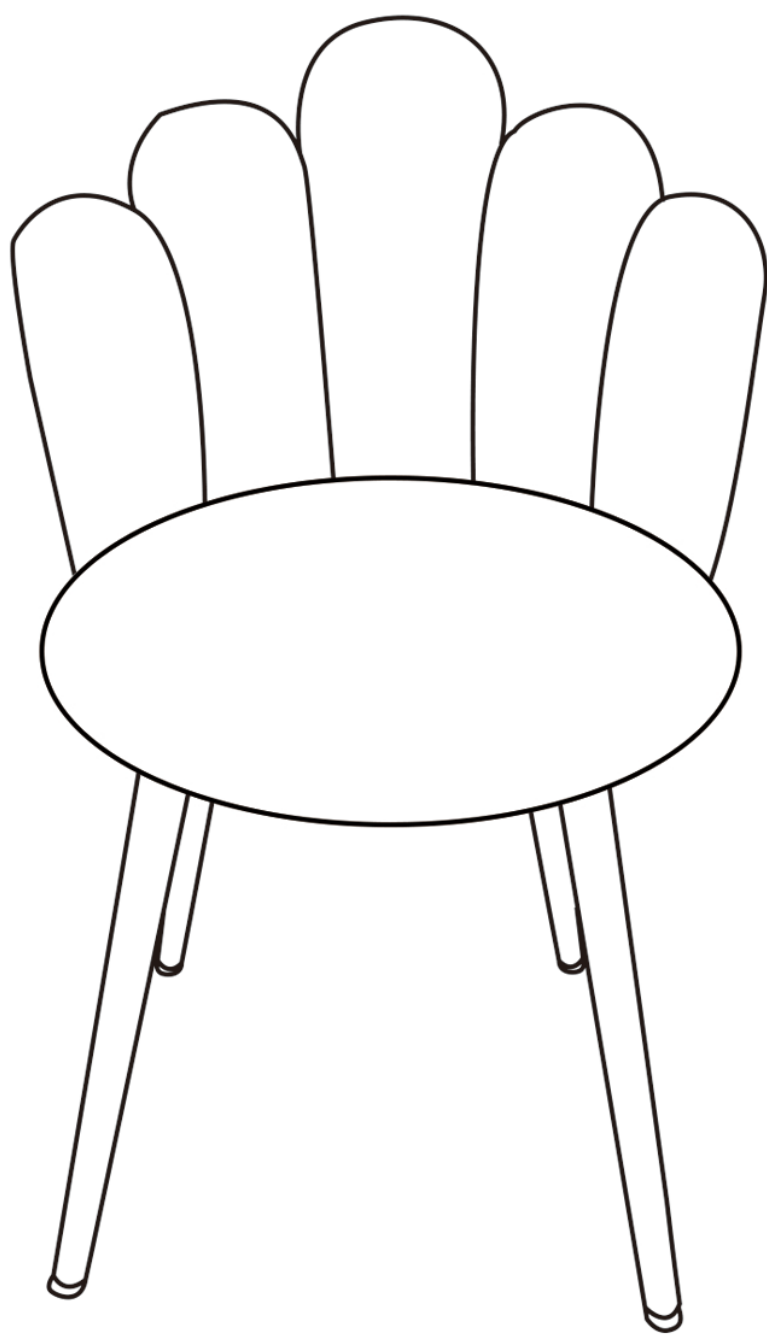
Dx1pc



Step 1: Mount the chair legs [B] to the seat [A] using screws [C].
Hand tighten the screws and finish with an Allen Wrench [D].



Step 2: Adjust the leveling feet at the bottom of the metal legs to keep the chair stable.



Step 3: Enjoy Your New Chair !