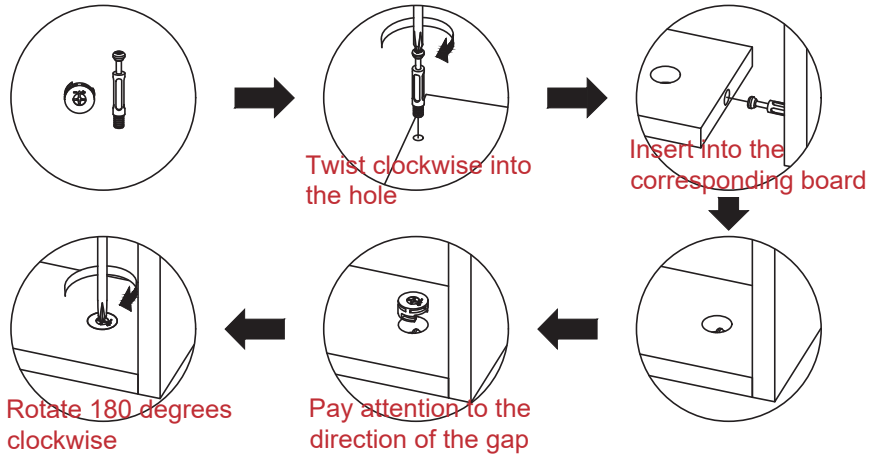
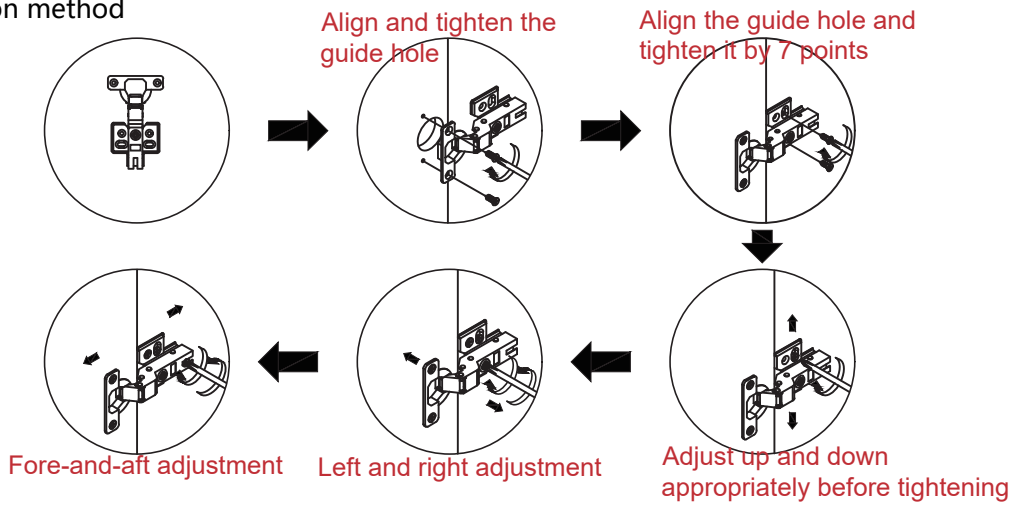


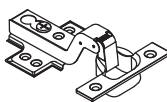
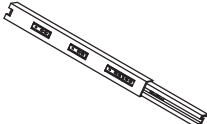

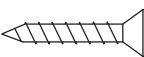

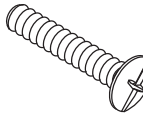
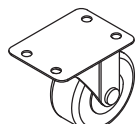
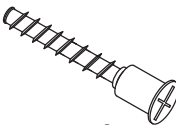
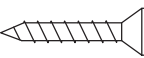




Eccentric installation principle



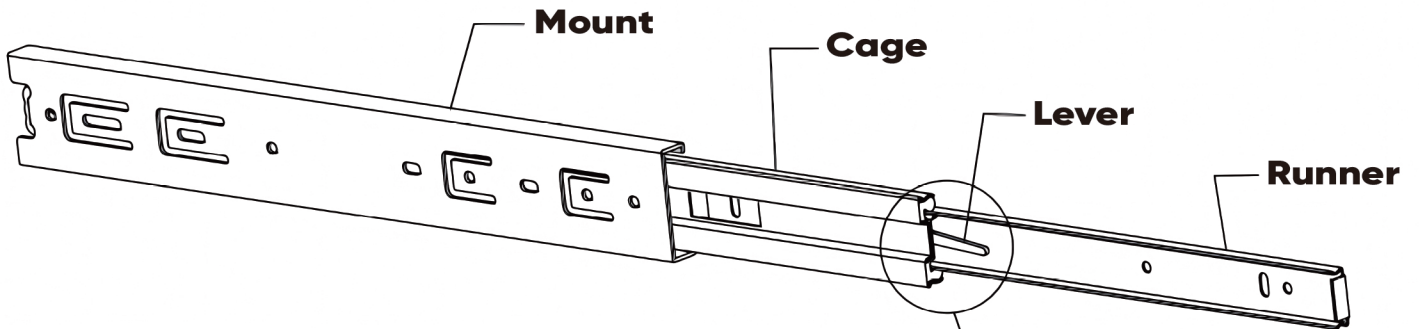
Hinge installation method



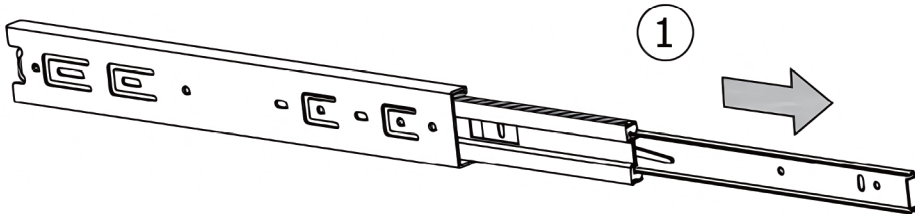
<p>A</p>  <p>x51</p>	<p>B (φ12)</p>  <p>x51</p>	<p>C</p>  <p>x2</p>	<p>D</p>  <p>x3</p>	<p>E (φ3.5x12)</p>  <p>x60</p>
<p>F (φ3.5x35)</p>  <p>x13</p>	<p>G</p>  <p>x2</p>	<p>H</p>  <p>x4</p>	<p>I</p>  <p>x4</p>	<p>J</p>  <p>x4</p>
<p>K (φ3.5x20)</p>  <p>x4</p>	<p>L</p>  <p>x4</p>	<p>M</p>  <p>x4</p>		

Warm Reminder

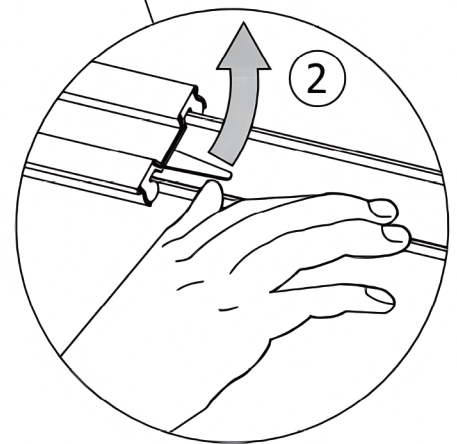
Before installing the drawer rail, you need to separate the Part-1 and Part-2 first.



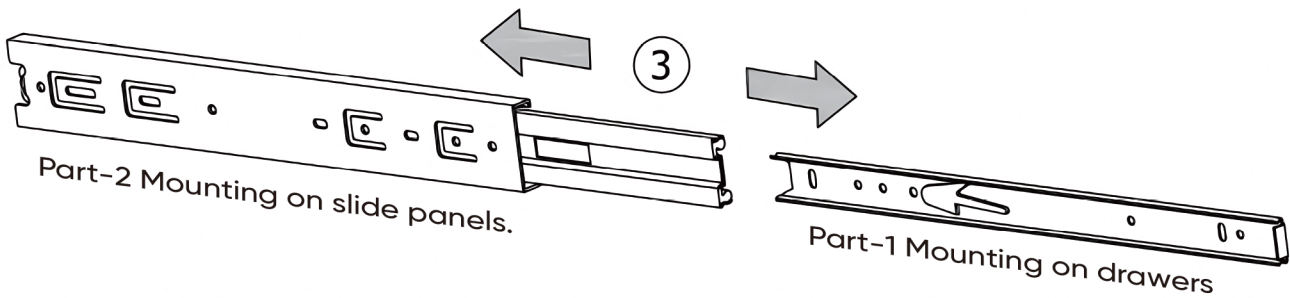
STEP 1: Extend Slider



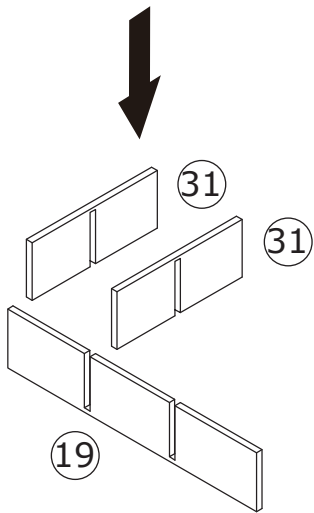
STEP 2: Push Lever Up



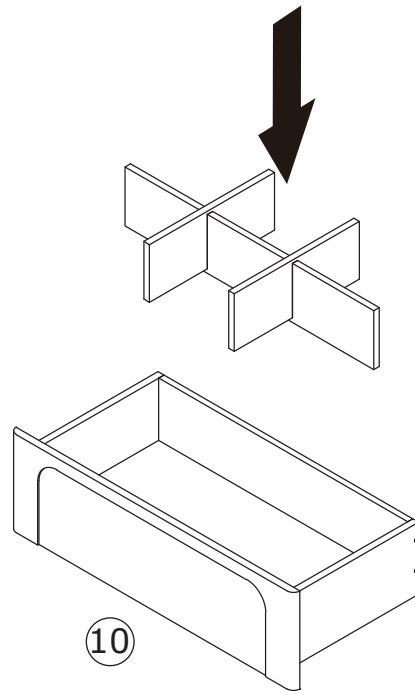
STEP 3: Remove Runner



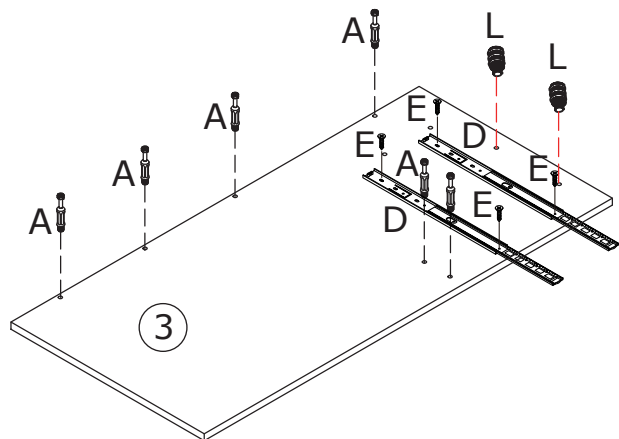
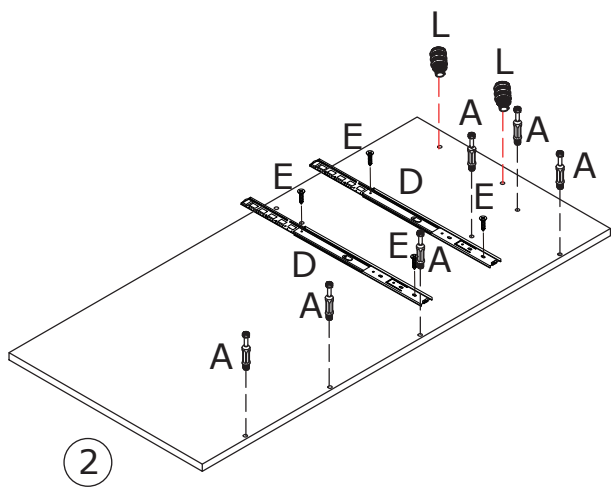
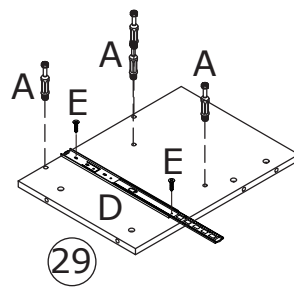
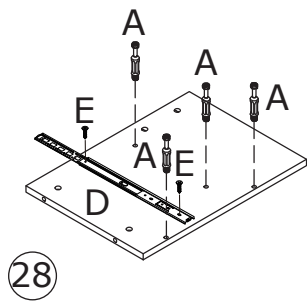
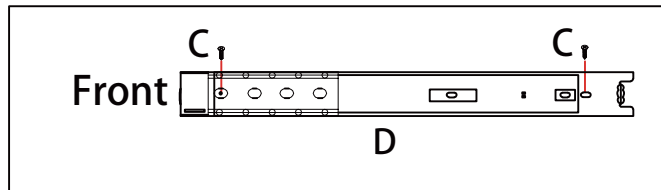
5



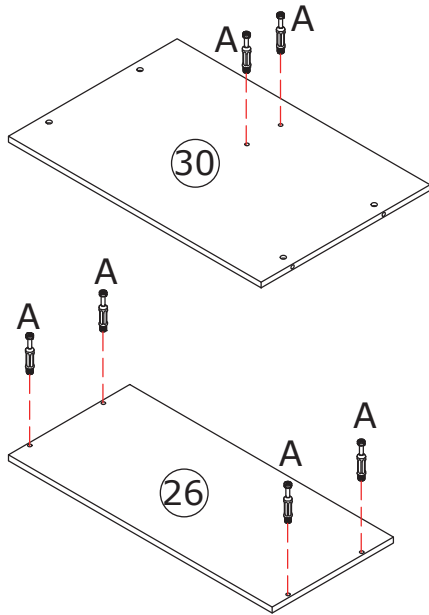
6



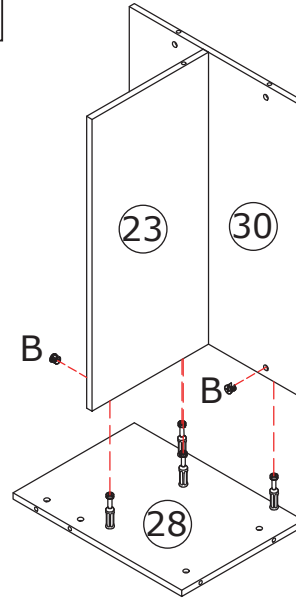
7



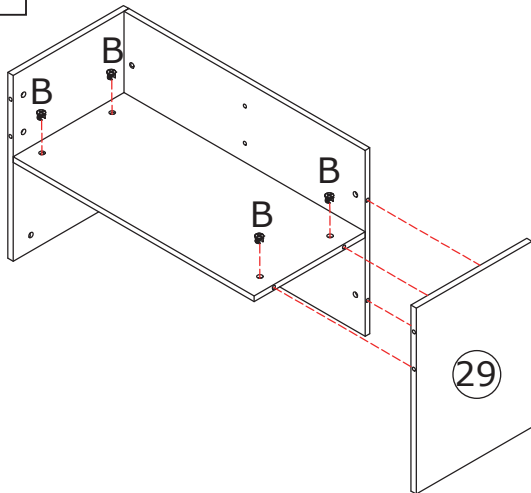
8



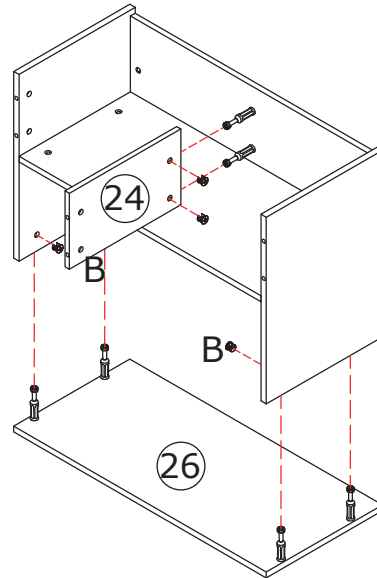
9



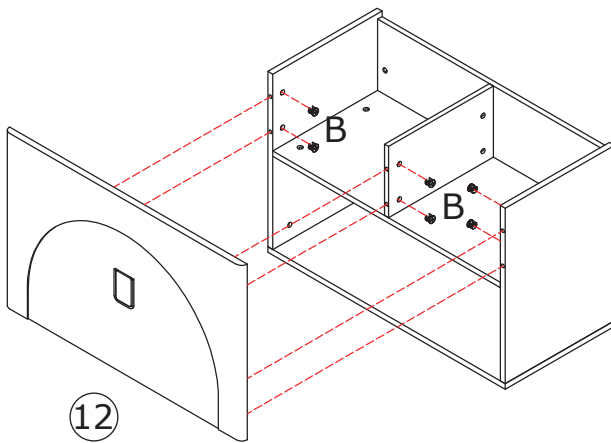
10



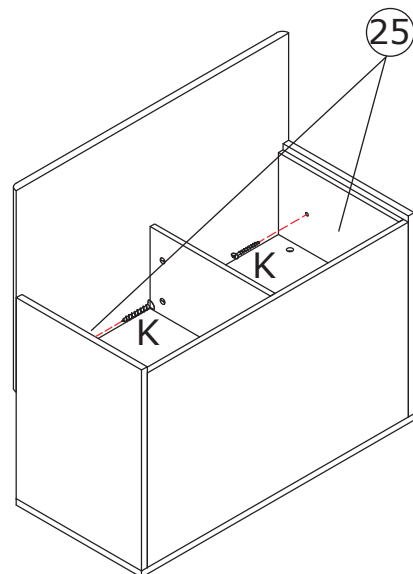
11



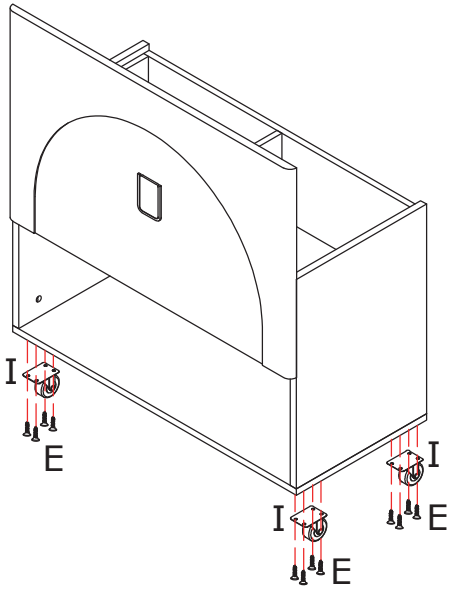
12



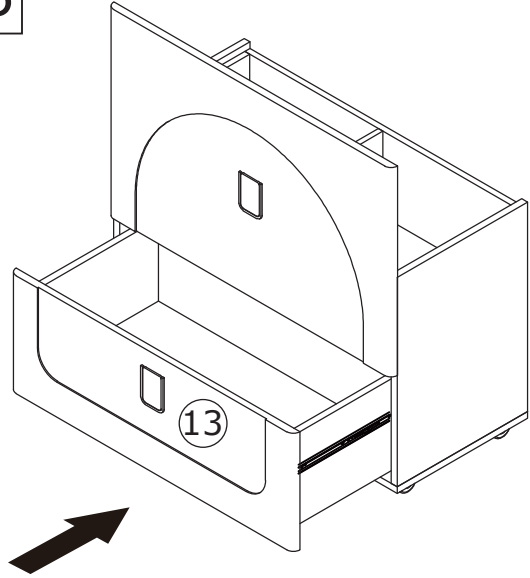
13



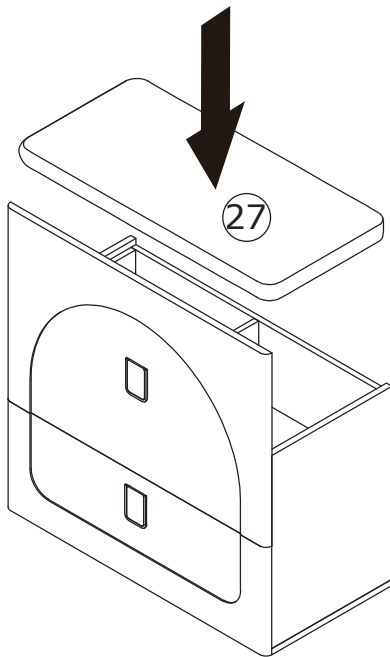
14



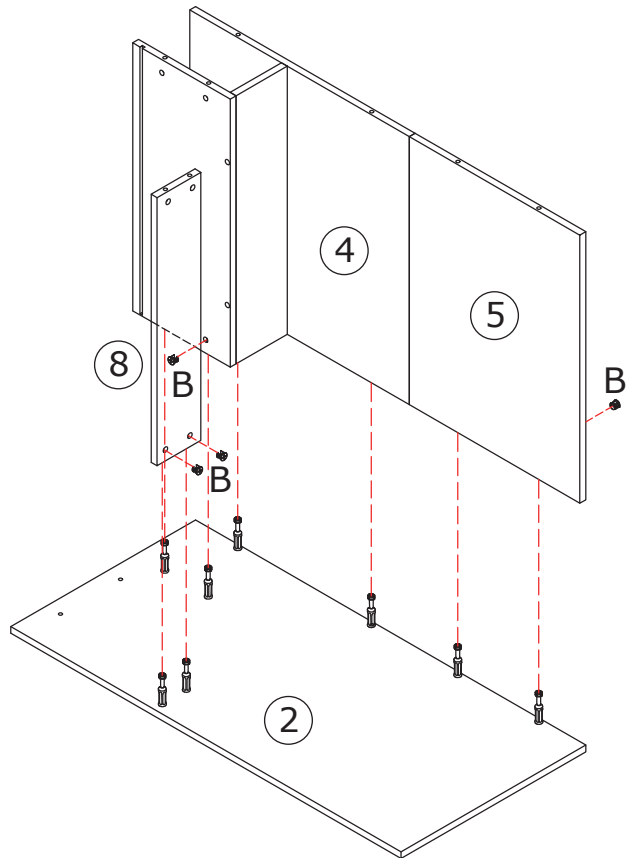
15



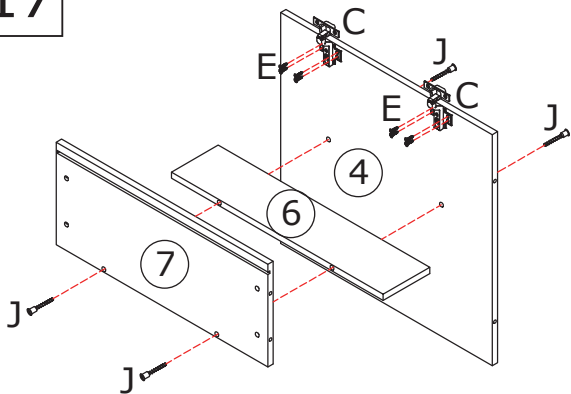
16



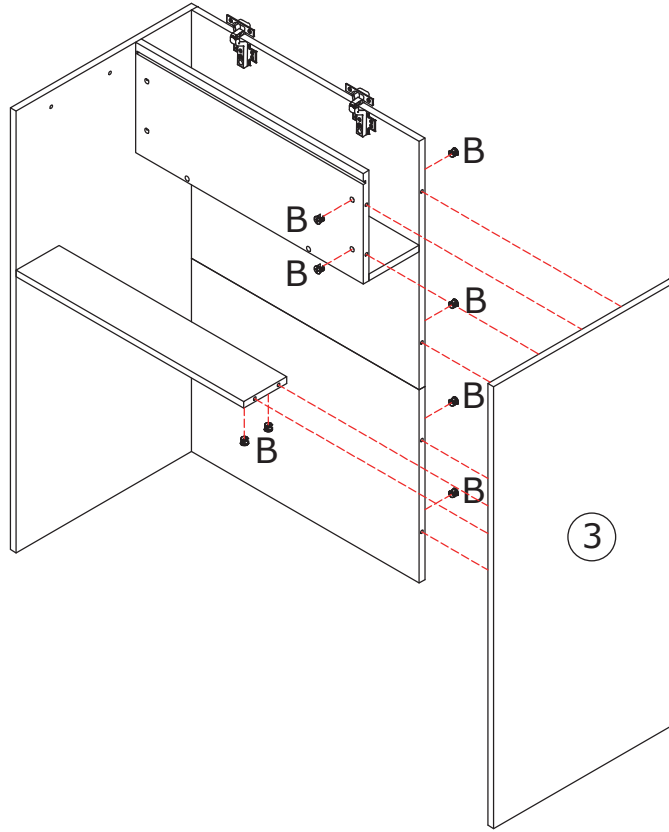
18



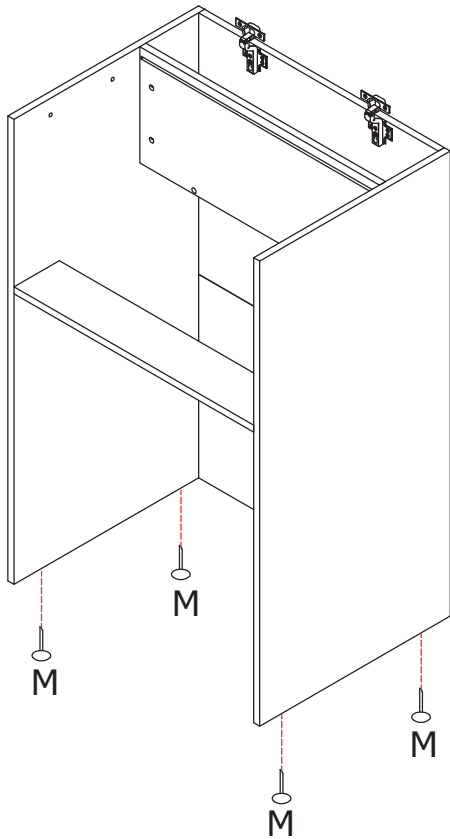
17



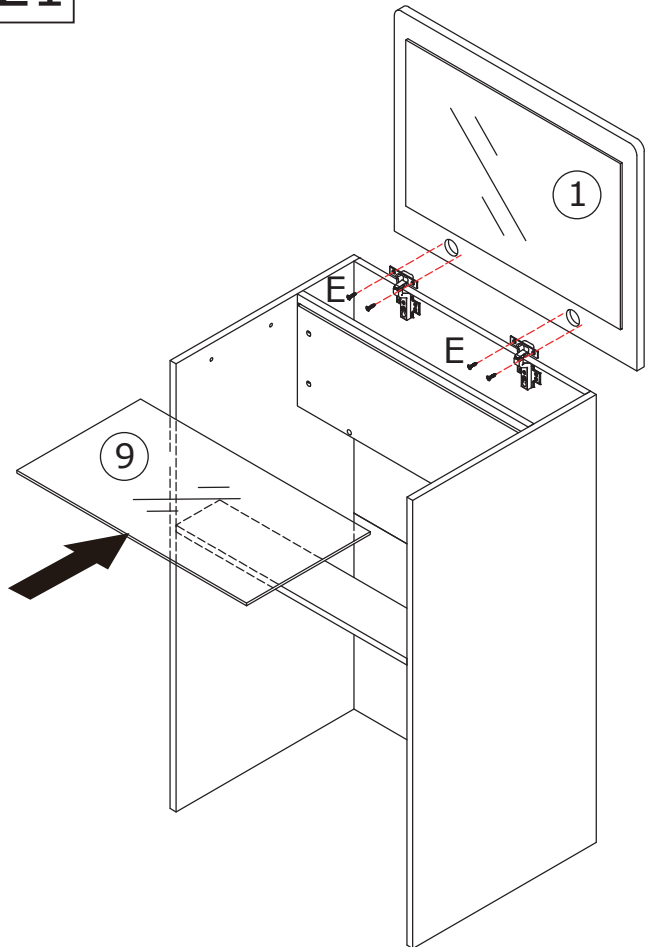
19



20



21



22

