

Closets & Co.

Rev.01

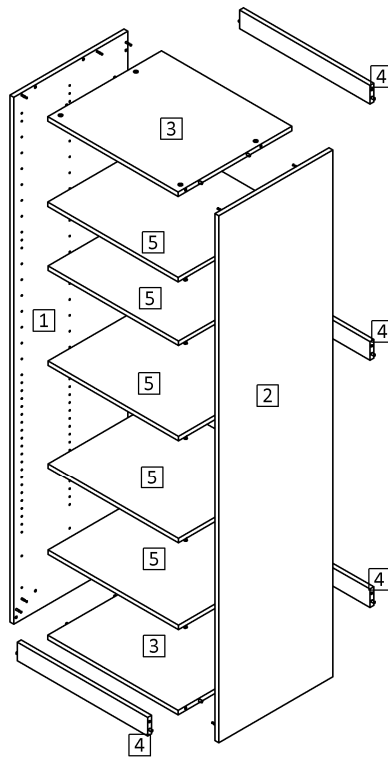


REF.: MCL014

ASSEMBLY INSTRUCTIONS BOX 06

ASSEMBLY INSTRUCTIONS:

- 1- PLEASE READ THESE INSTRUCTIONS COMPLETELY BEFORE STARTING ASSEMBLY;
- 2- THE ASSEMBLY MUST BE EXECUTED ON A FLAT AND CLEAN SURFACE;
- 3- FOR CLEANING PLEASE USE A WATER SEMI WET CLEAN CLOTH FOLLOWING BY A DRY CLEAN CLOTH;
- 4- DO NOT USE ABRASIVES SOLUTIONS;



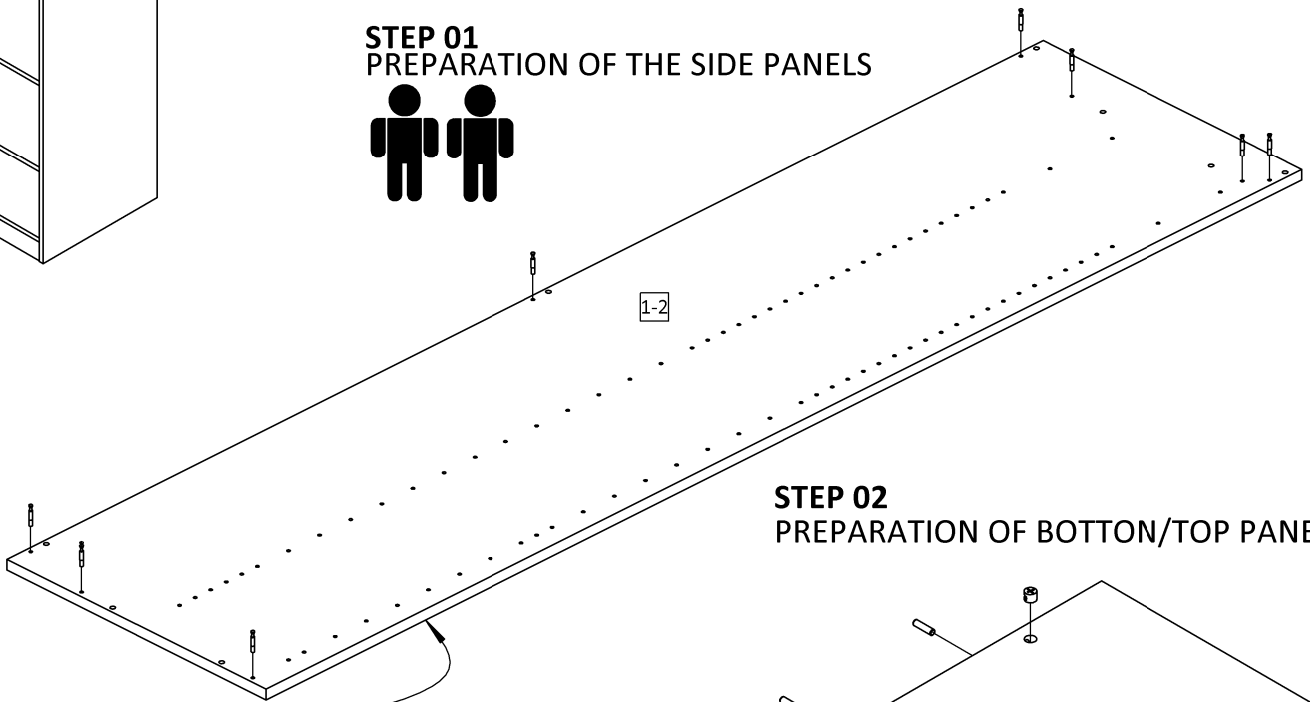
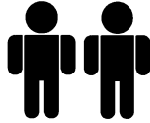
PART LIST		
PART NUMBER	Qty	DESCRIPTION:
1	1	LEFT SIDE PANEL
2	1	RIGHT SIDE PANEL
3	2	BOTTOM/TOP PANEL
4	4	FRAME
5	5	SHELVES



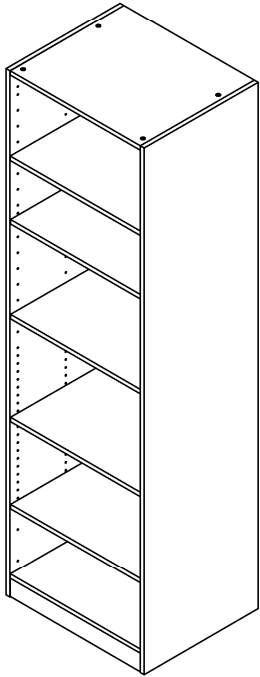
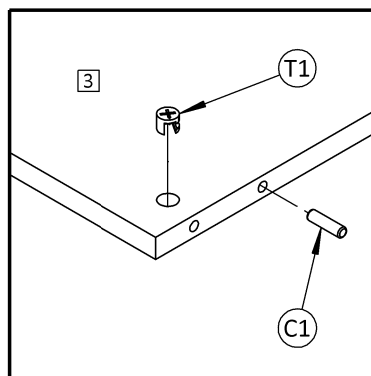
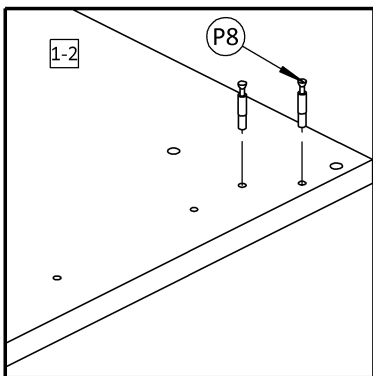
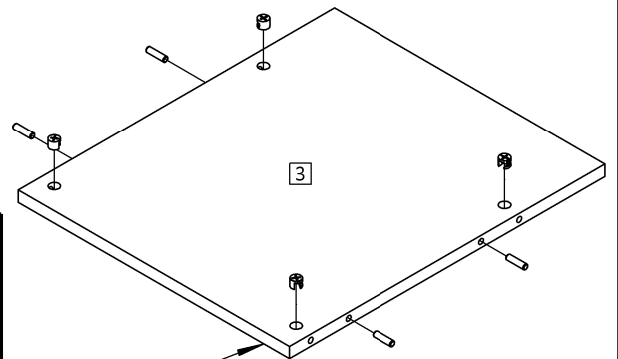
CABINET HARDWARES	16	16	16
	CAM LOCK SCREWS	CAM LOCK	DOWEL 5/16 X 1 3/16

CABINET ASSEMBLY

STEP 01 PREPARATION OF THE SIDE PANELS



STEP 02 PREPARATION OF BOTTOM/TOP PANELS

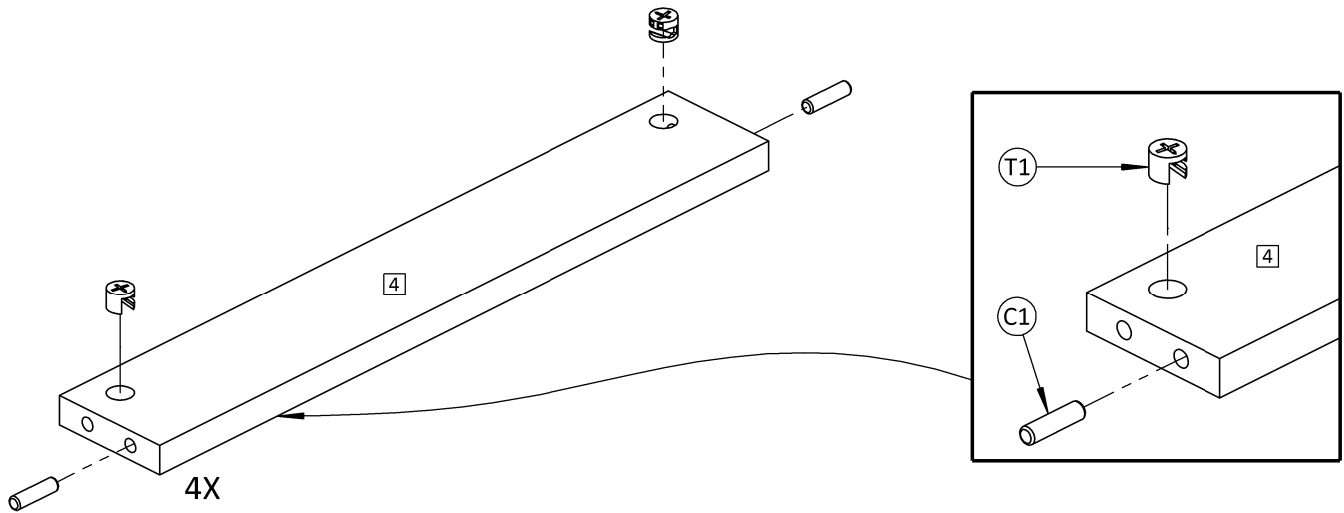




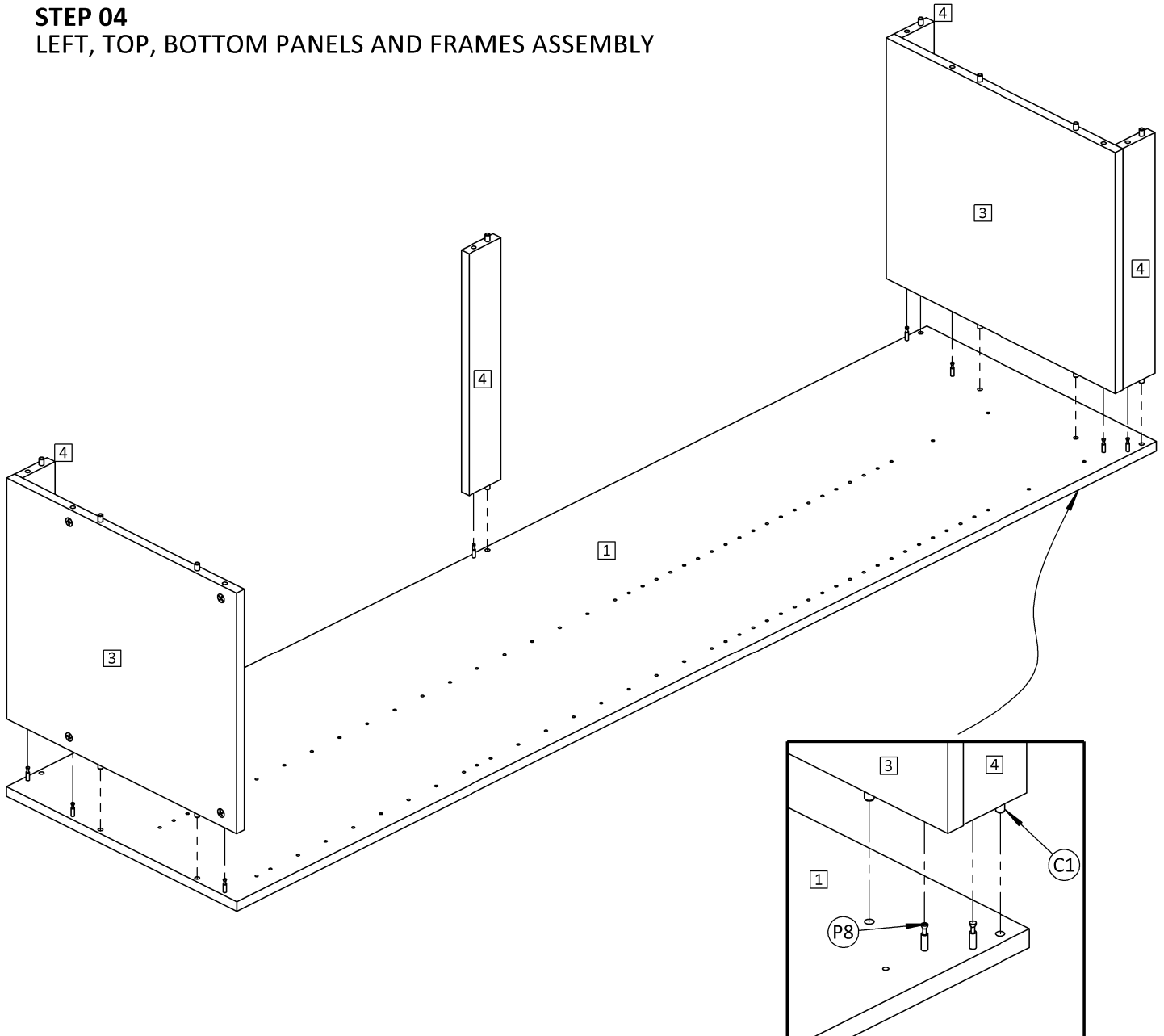
ASSEMBLY INSTRUCTIONS

BOX 06

STEP 03 PREPARATION OF THE FRAMES



STEP 04 LEFT, TOP, BOTTOM PANELS AND FRAMES ASSEMBLY

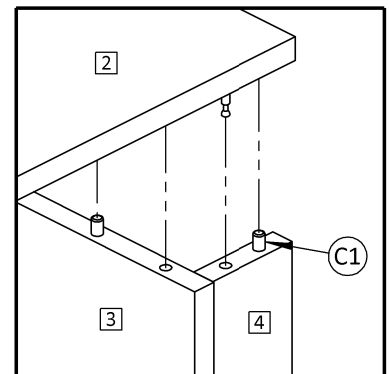
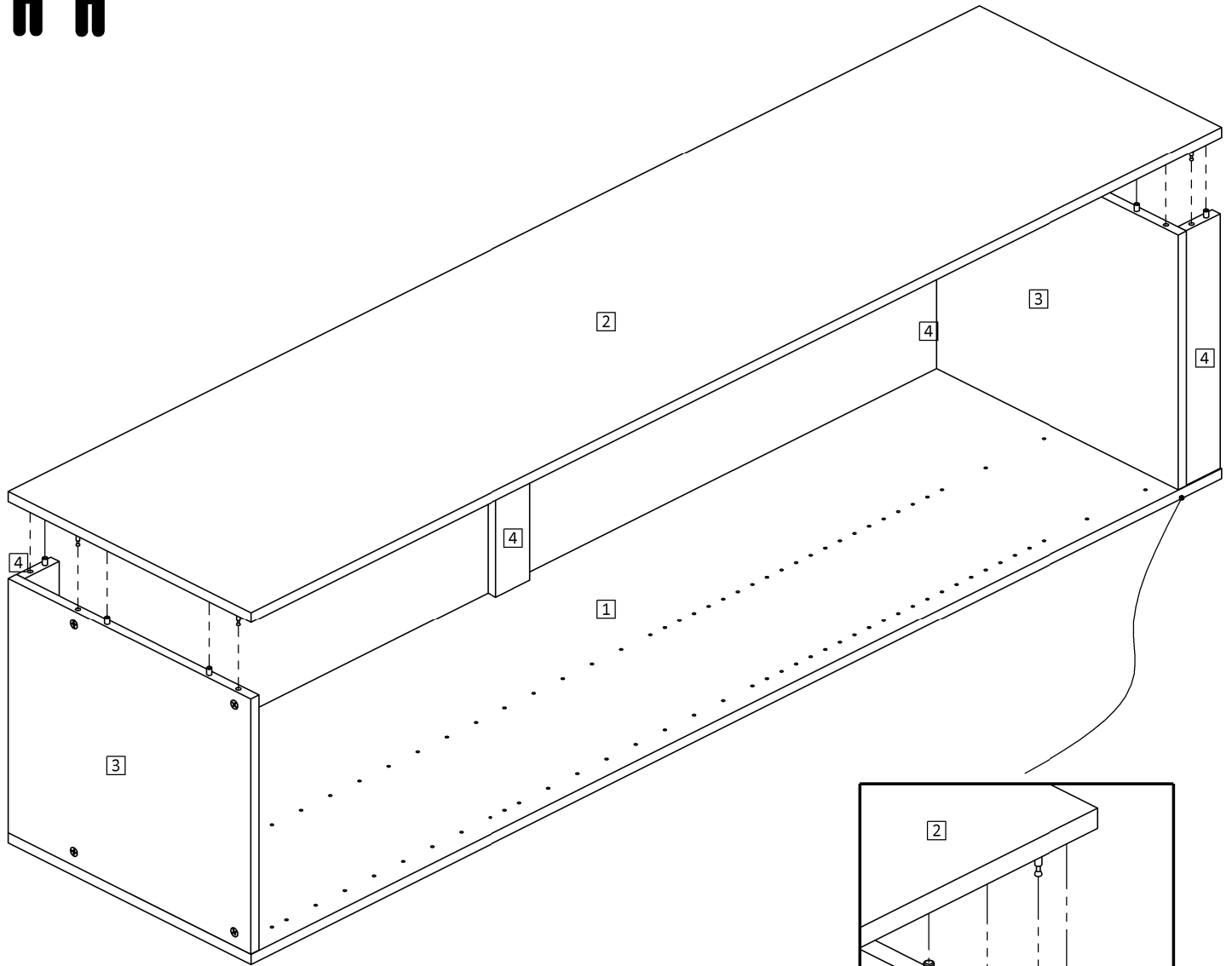
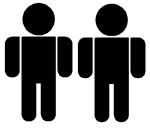




ASSEMBLY INSTRUCTIONS

BOX 06

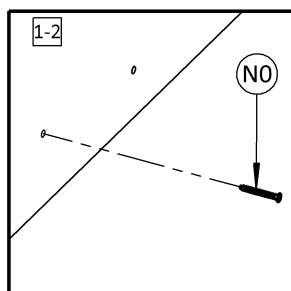
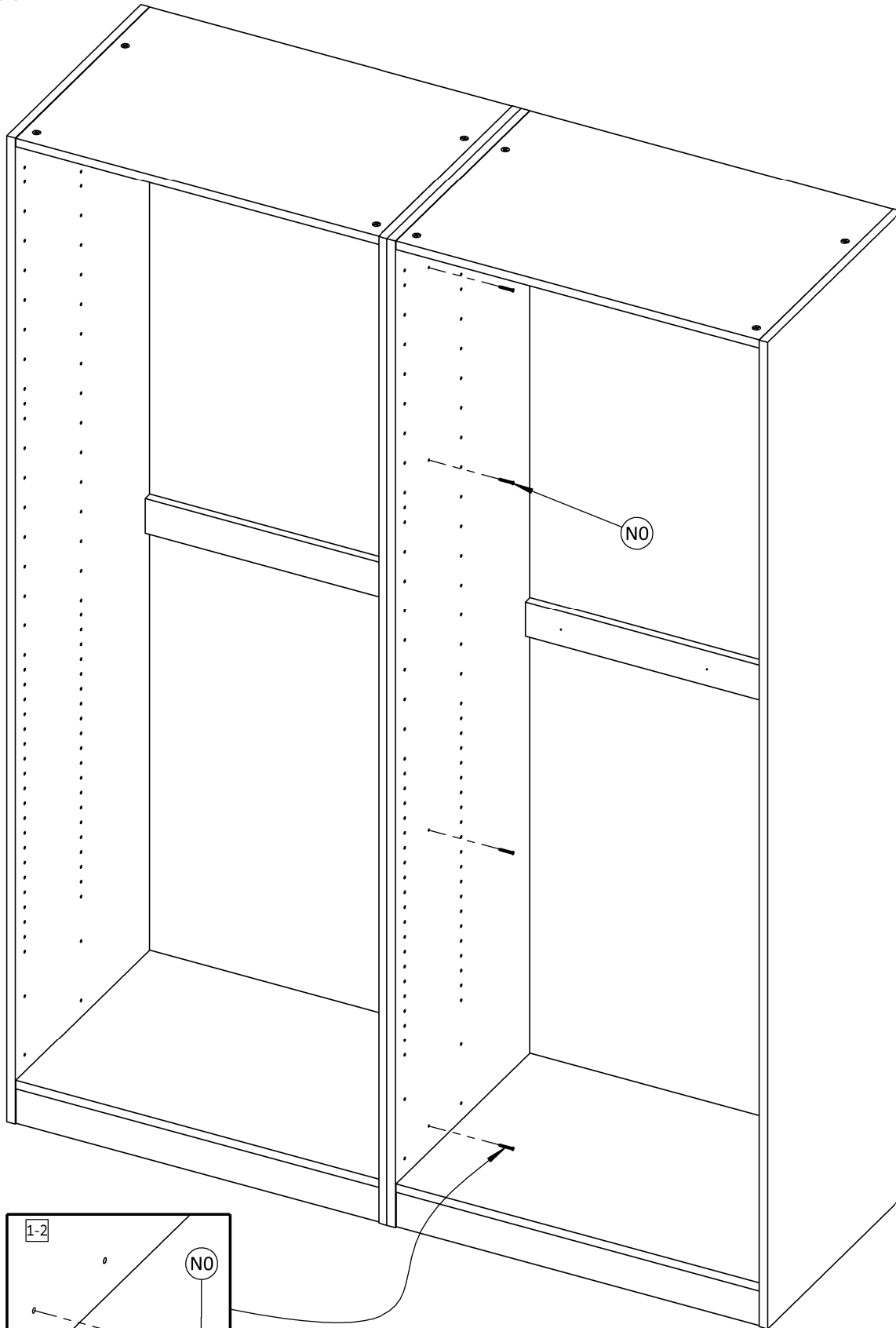
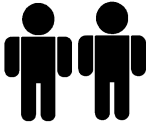
STEP 05 RIGHT SIDE PANEL ASSEMBLY





STEP 07
JOINING THE CABINETS

ASSEMBLY INSTRUCTIONS
BOX 06



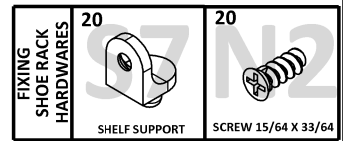
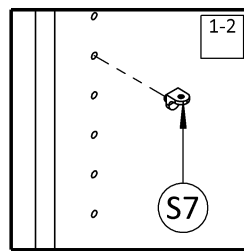
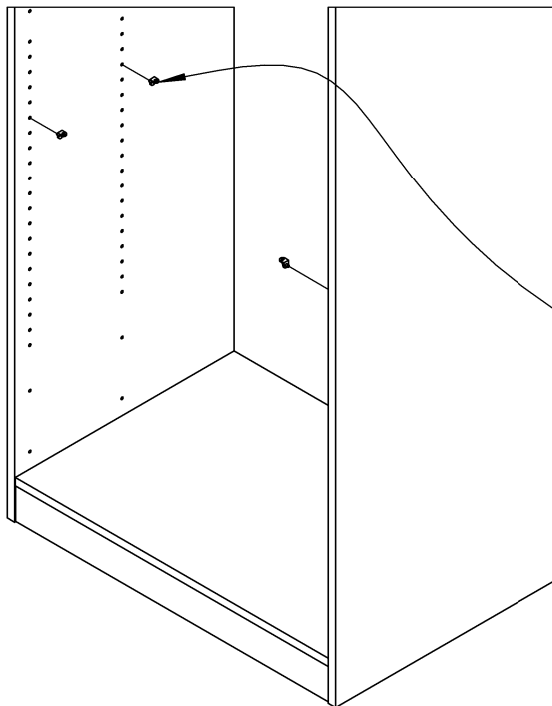


FIXING THE SHELVES INSIDE THE CABINET

ASSEMBLY INSTRUCTIONS

BOX 06

STEP 08 FIX THE SUPPORT ON THE SIDE PANNELS CLOSET



STEP 09 FIT THE SHELF ON THE CLOSET

SCREW THE SHELF
ON THE SUPPORT

