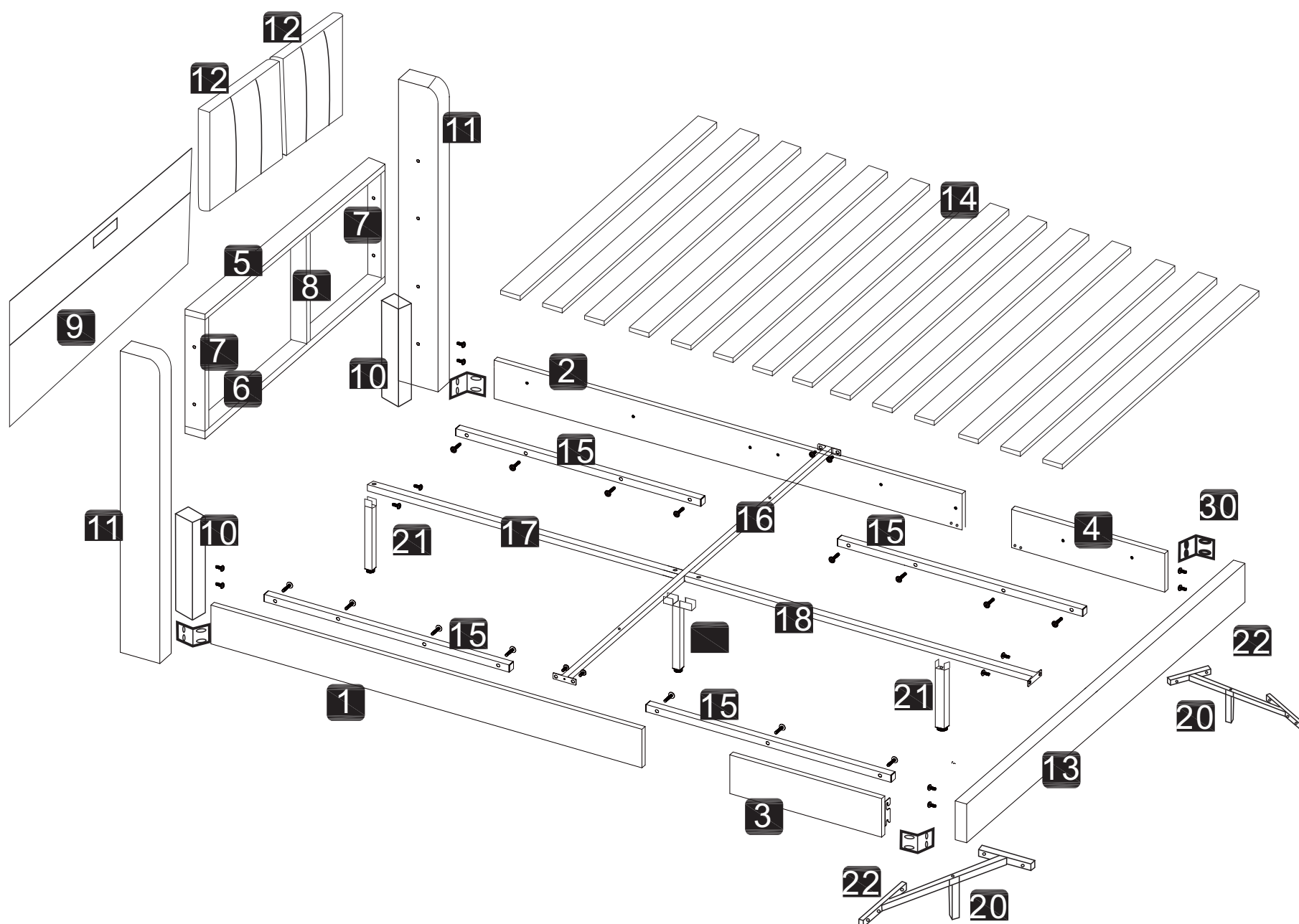


ASSEMBLY INSTRUCTION

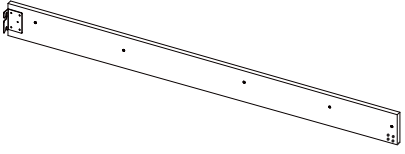
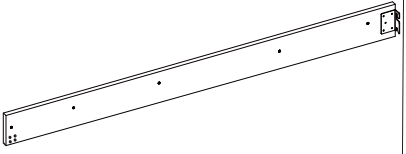
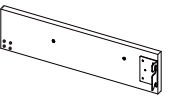
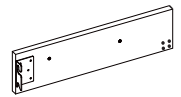
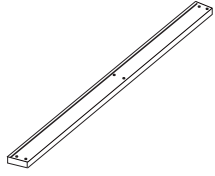
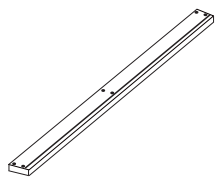


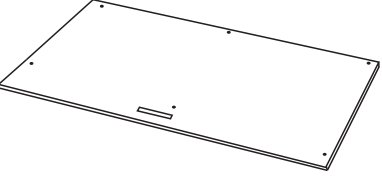
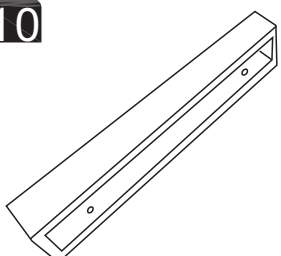

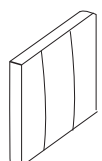
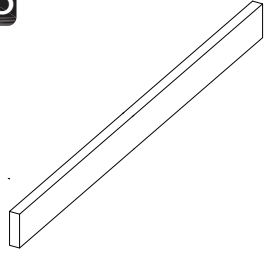
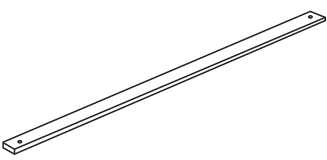
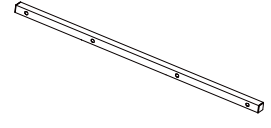
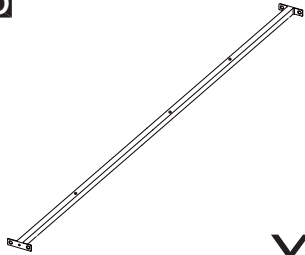
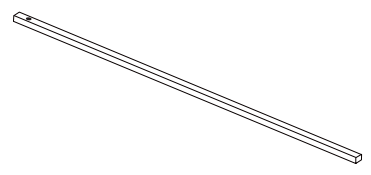
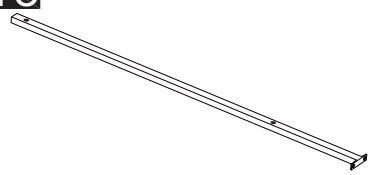
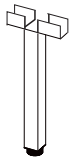
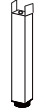
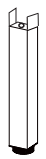
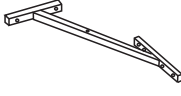
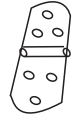
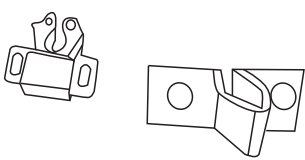
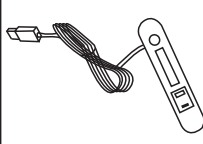
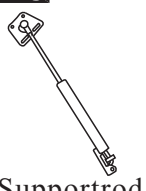
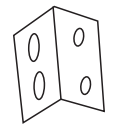
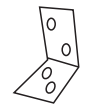
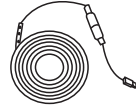
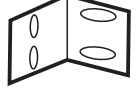


TIPS

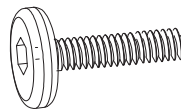
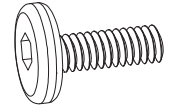
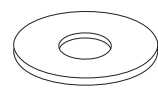

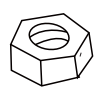

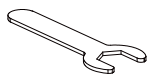
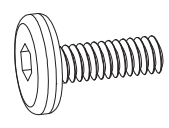
1. Please read the instructions fully before assembly. These instructions include important information which could ensure correct assembly. We have been working on providing high quality products for you. However, in the rare instance that your product is defective, missing parts or there are some issues, please don't hesitate to contact our customer service to submit parts requirements, assembly suggestion, or warranty claims, and we will give the best solution as soon as possible. If necessary, we need you to provide some more clear pictures of the issue.
2. Insert the screws in holes and tighten the screws, but not too tight, 70%~80% is ok, finally tighten all the screws. If some issues happened that some screws can not target to the hole or some parts are difficult to install, please adjust the tightness of the screws.
3. 2 people are recommended to finish



Part List


<p>1</p>  <p>Right rear of bedside X1</p>	<p>2</p>  <p>Left rear of bedside X1</p>	<p>3</p>  <p>Bed side right front X1</p>	<p>4</p>  <p>Left front of bedside X1</p>			
<p>5</p>  <p>Headboard X1</p>	<p>6</p>  <p>Bed head lower board X1</p>	<p>7</p>  <p>on both sides of the bedside X2</p>	<p>8</p>  <p>middle board at the head of the bed X1</p>			
<p>9</p>  <p>Headboard and rearboard X1</p>	<p>10</p>  <p>Bed and foot X2</p>	<p>11</p>  <p>heads at the head of the bed X2</p>	<p>12</p>  <p>Bedding cover plate X2</p>			
<p>13</p>  <p>Bed tail X1</p>	<p>14</p>  <p>Skeleton arrangement X14</p>	<p>15</p>  <p>Bed side edge strip X4</p>	<p>16</p>  <p>Bed support 1 X1</p>			
<p>17</p>  <p>Bed support 2 X1</p>	<p>18</p>  <p>Bed support 3 X1</p>	<p>19</p>  <p>X1</p>	<p>20</p>  <p>X2</p>	<p>21</p>  <p>X2</p>	<p>22</p>  <p>X2</p>	<p>23</p>  <p>X4</p>
<p>24</p>  <p>Bed buckle X2</p>	<p>25</p>  <p>usb X1</p>	<p>26</p>  <p>Support rod X2</p>	<p>27</p>  <p>X6</p>	<p>28</p>  <p>X6</p>	<p>29</p>  <p>X1</p>	<p>30</p>  <p>X4</p>


Hardware List


<p>A</p>  <p>Bolts(M8x40mm) X35</p>	<p>B</p>  <p>Bolts(M8x16mm) X46</p>	<p>C</p>  <p>Flat Washer X89</p>	<p>D</p>  <p>Allen Key X1</p>
<p>E</p>  <p>Bolts(M8x40mm) X2</p>	<p>F</p>  <p>(M4x12mm) X64</p>	<p>G</p>  <p>X1</p>	<p>H</p>  <p>Bolts (M8x40) X8</p>

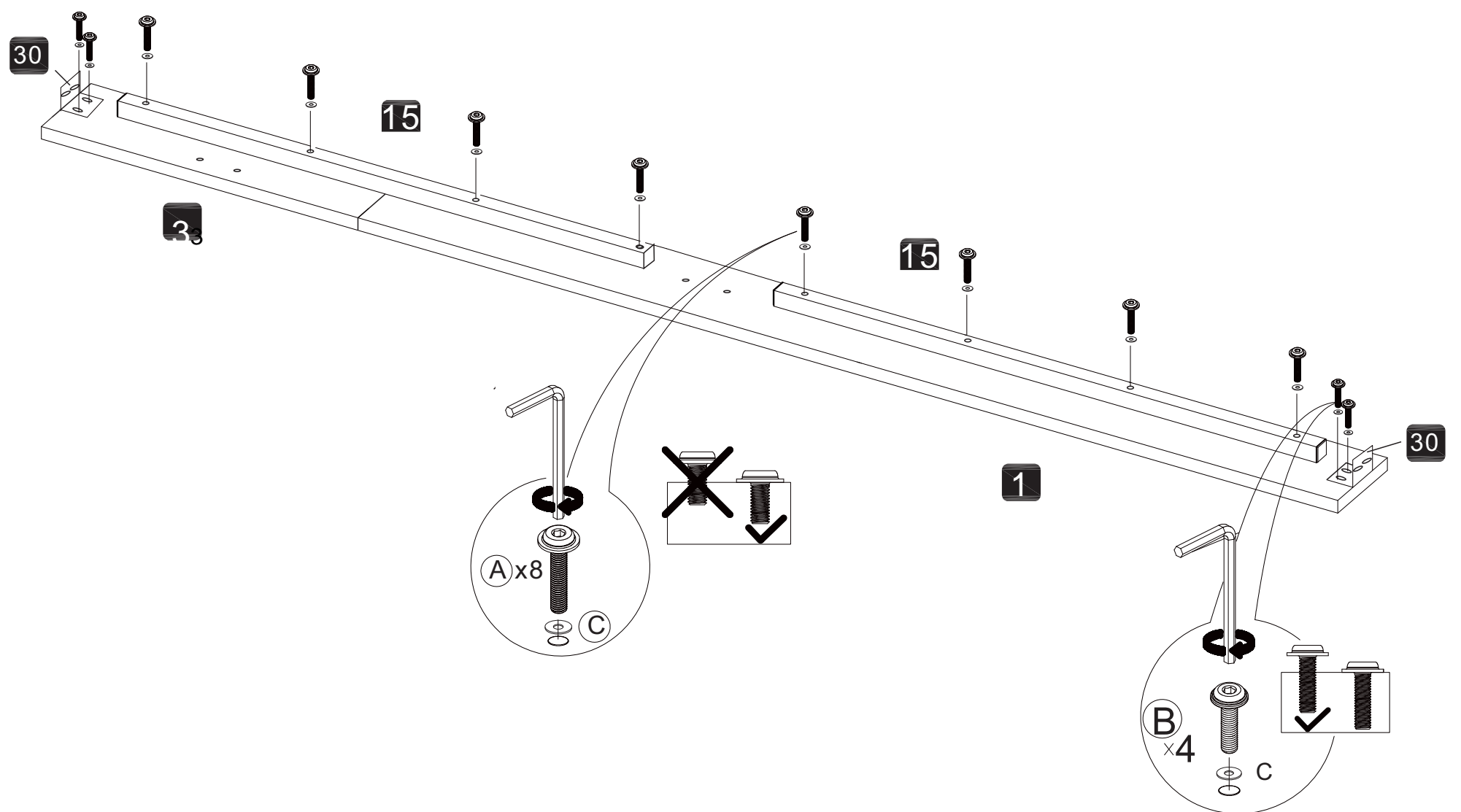
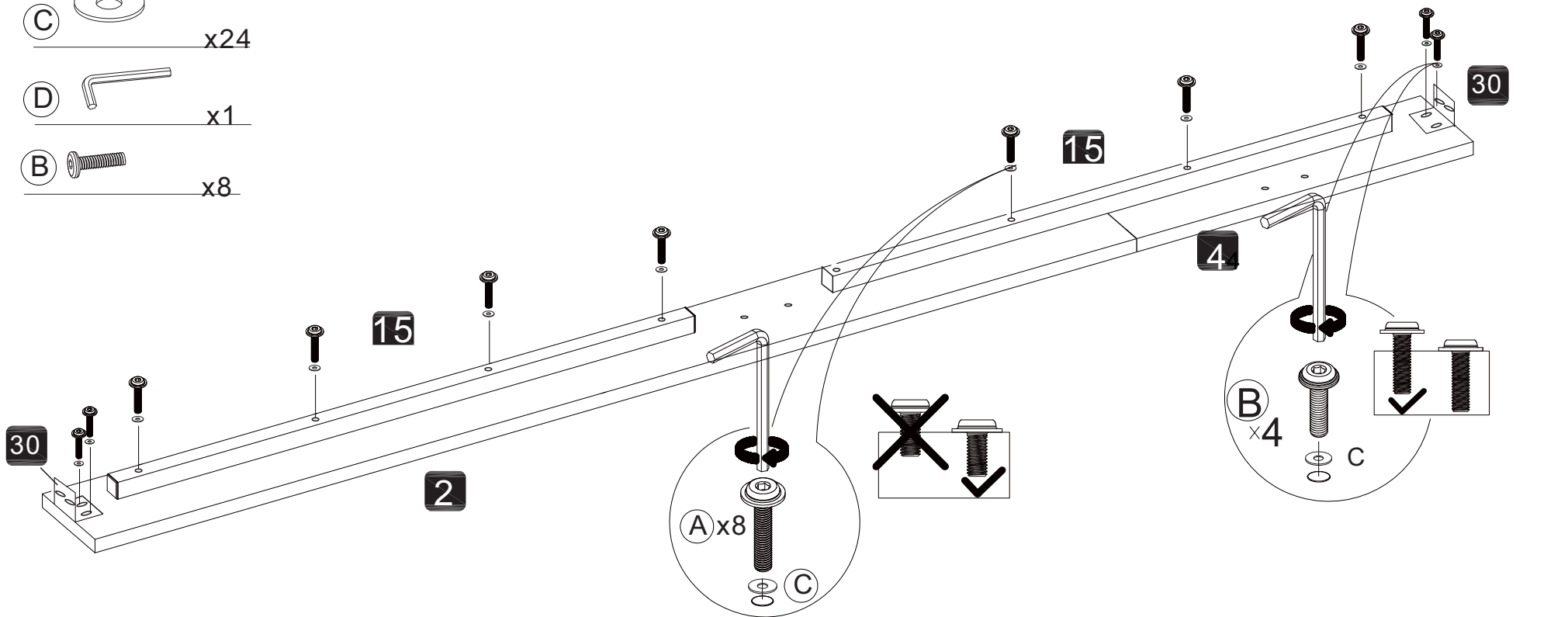
Step 1 :

(A)  x16





(C)  x24

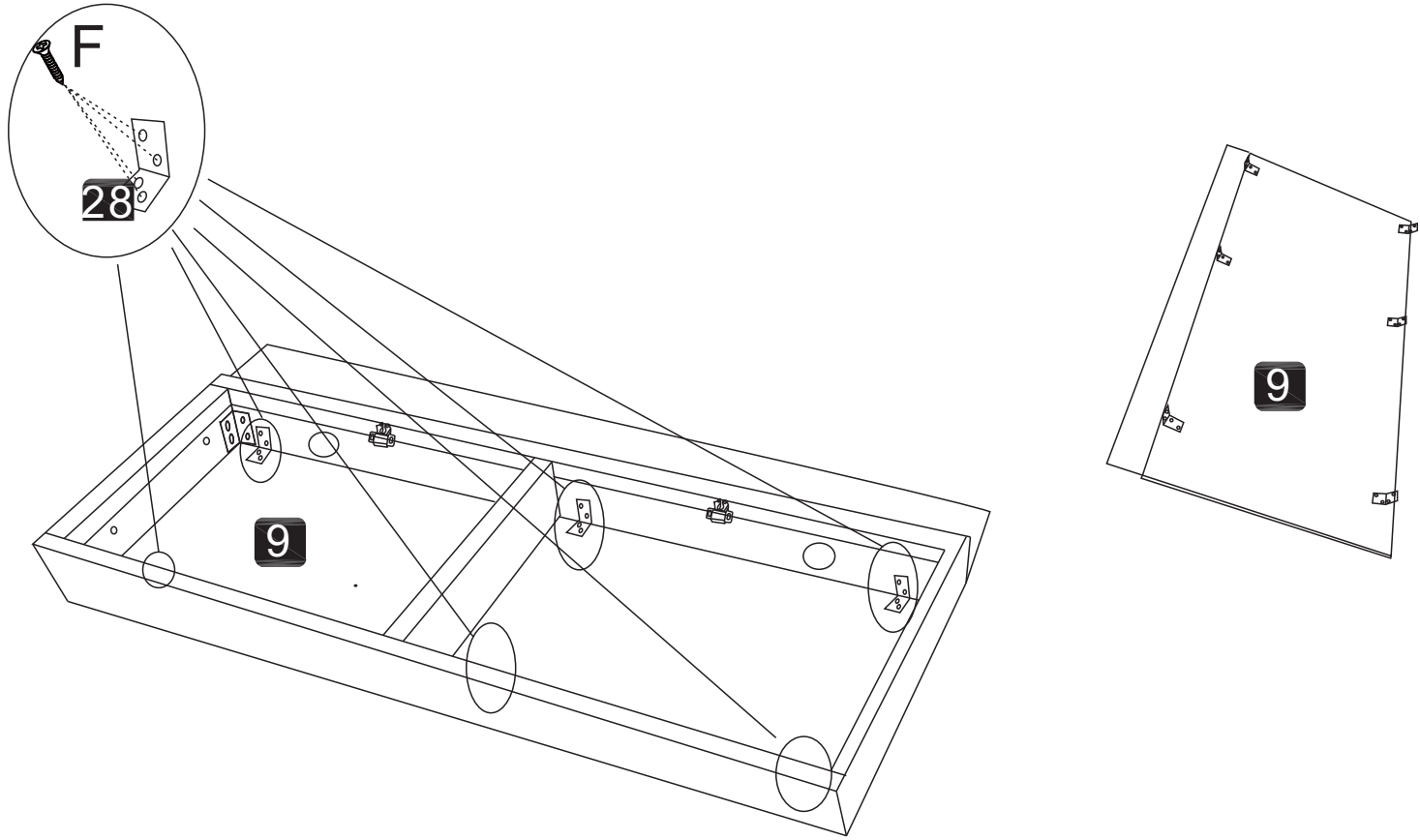
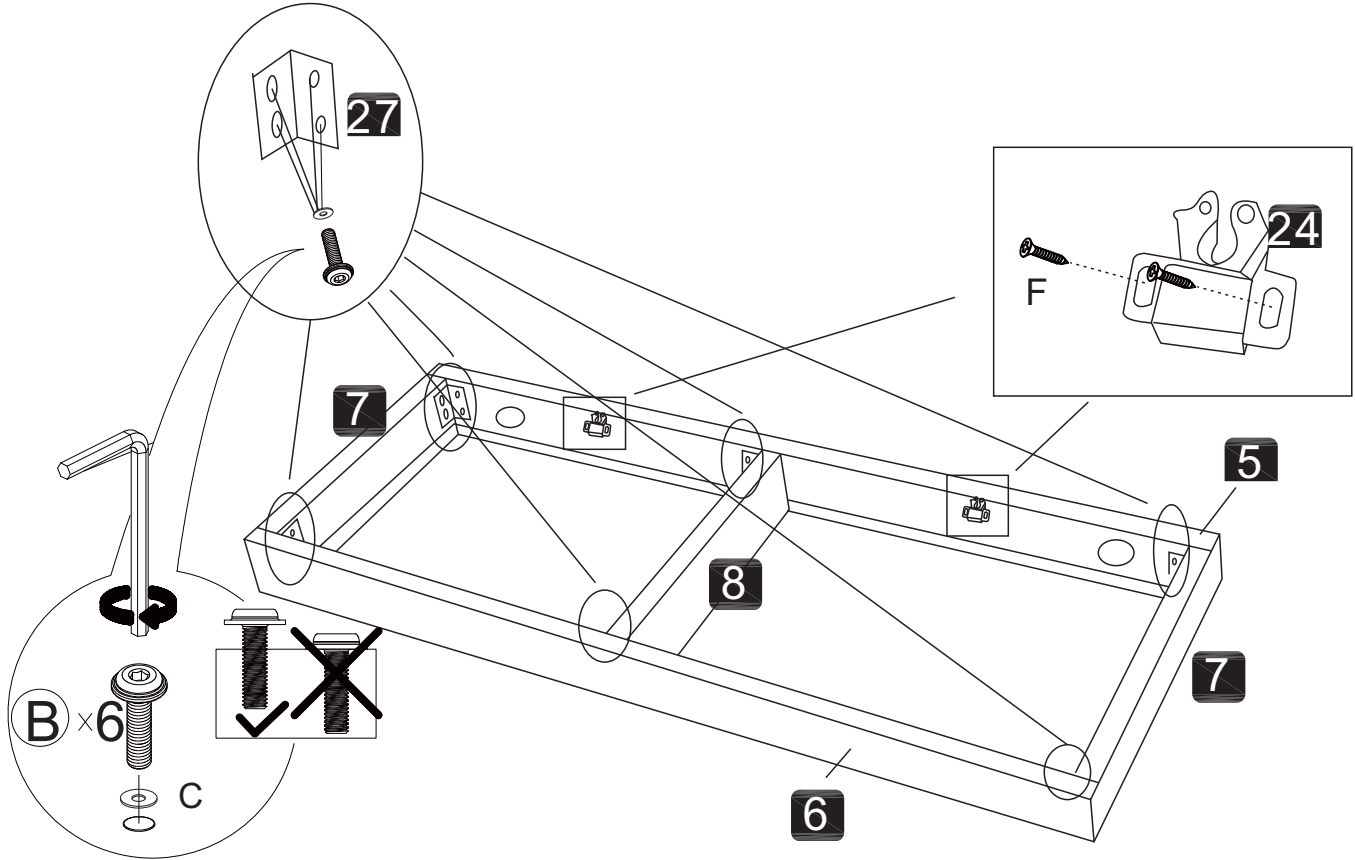
(D)  x1

(B)  x8



Step2:

- B**  x24
- C**  x24
- D**  x1
- F**  x30

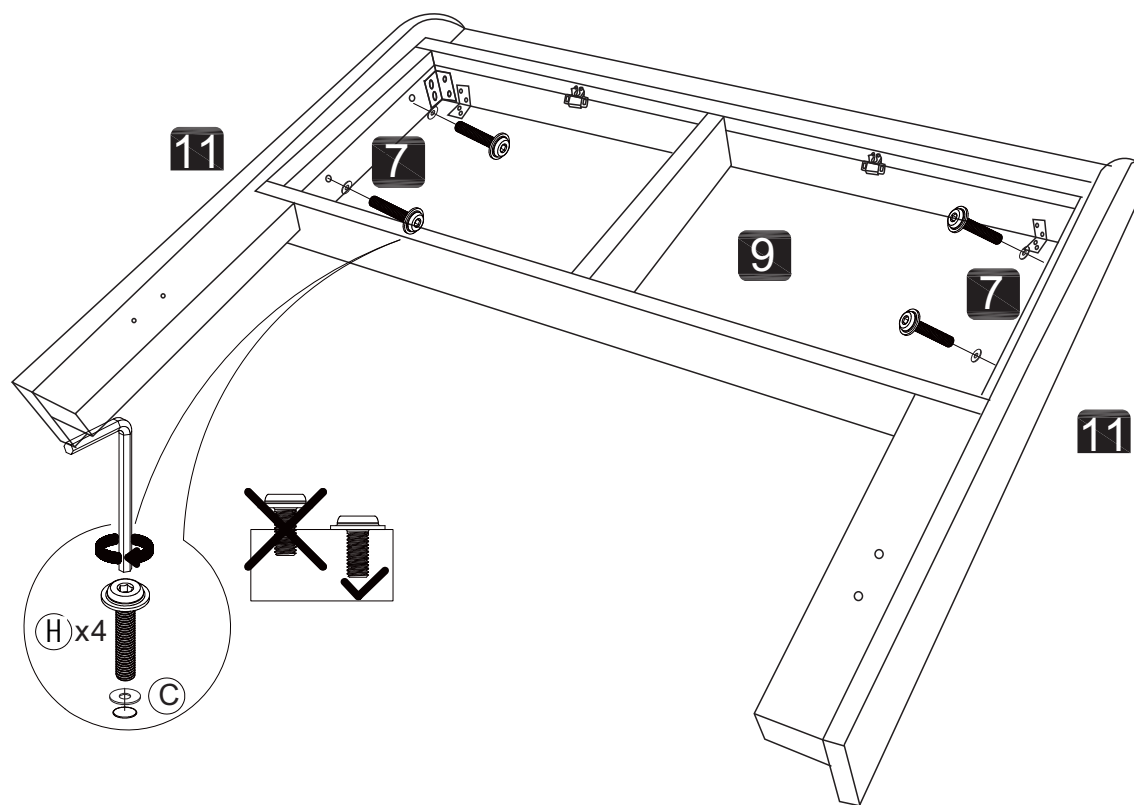
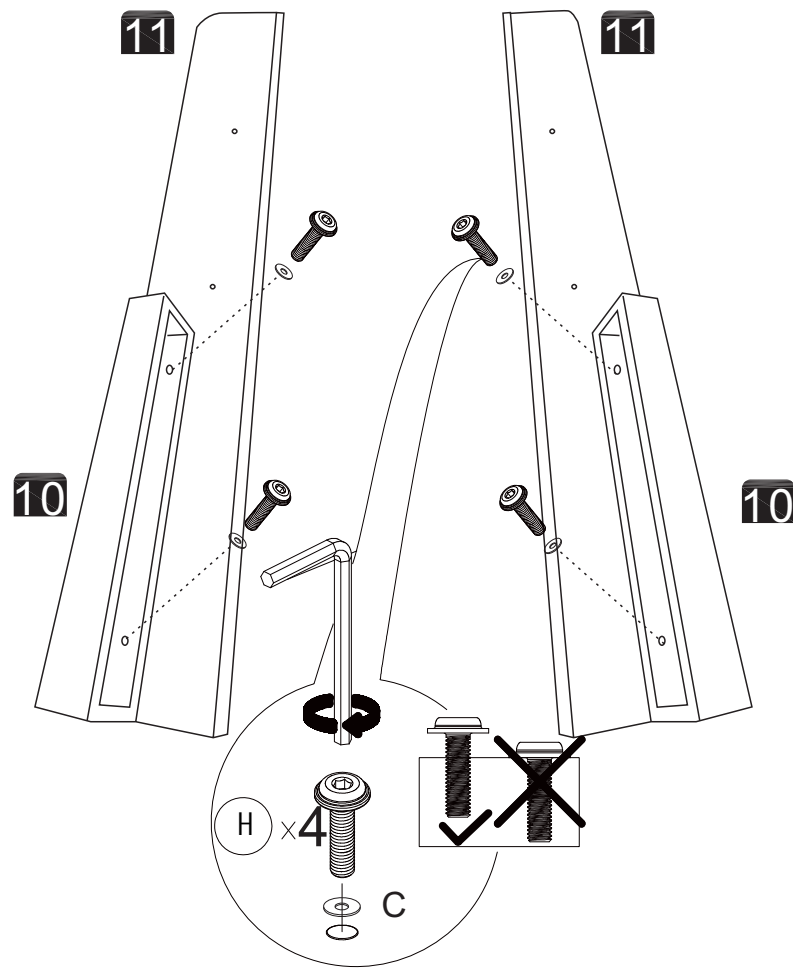


Step3:

H  x8

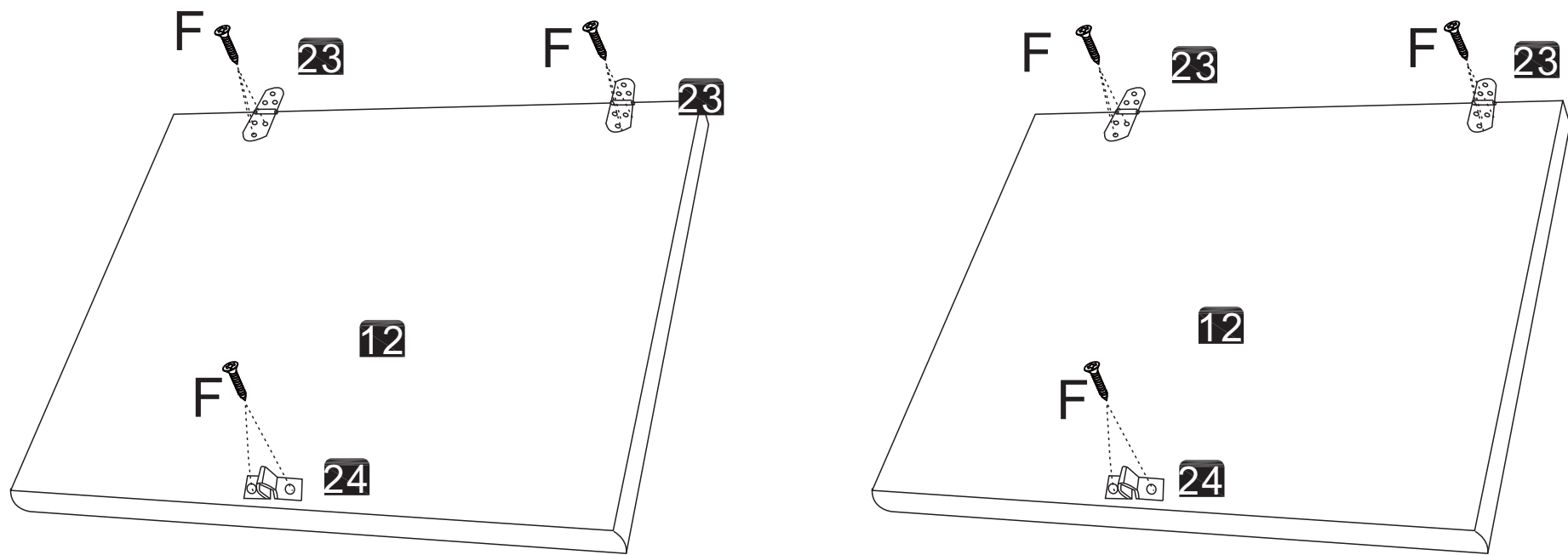
C  x8

D  x1



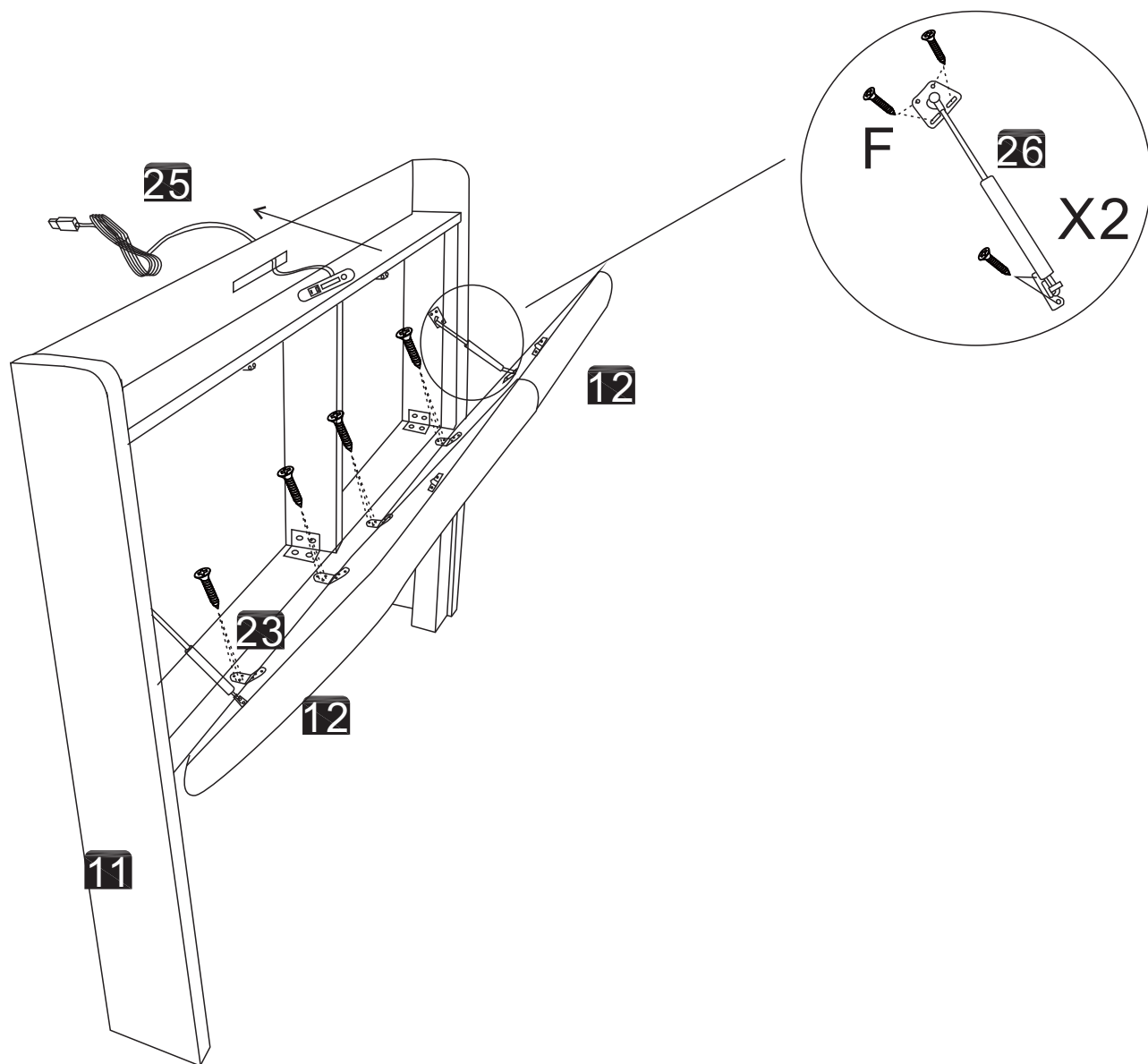
Step4:

ⓕ  x16



Step5:

ⓕ  x20



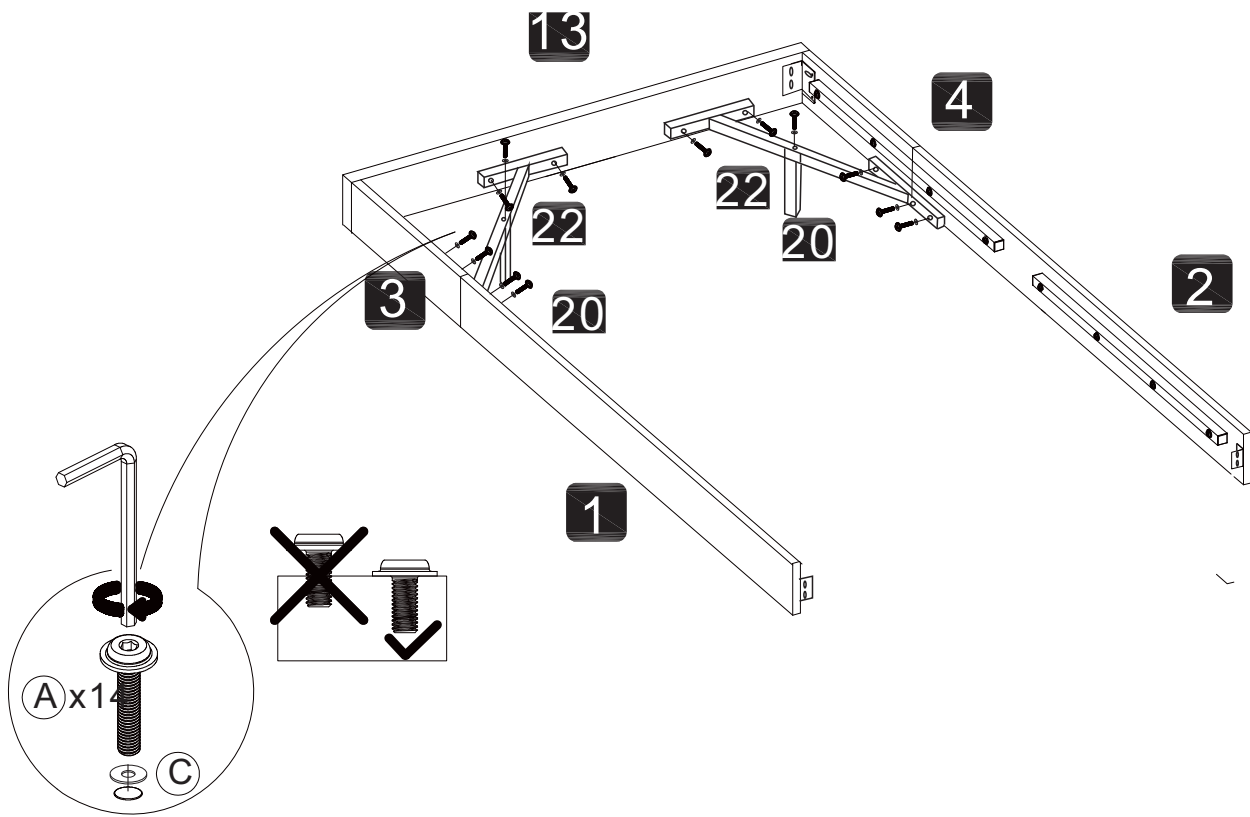
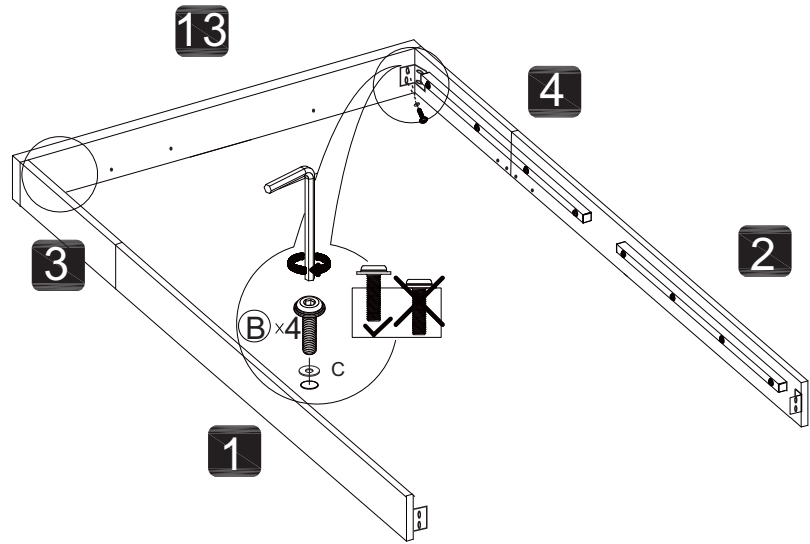
Step6 :

(A)  x14

(B)  x4

(C)  x18

(D)  x1



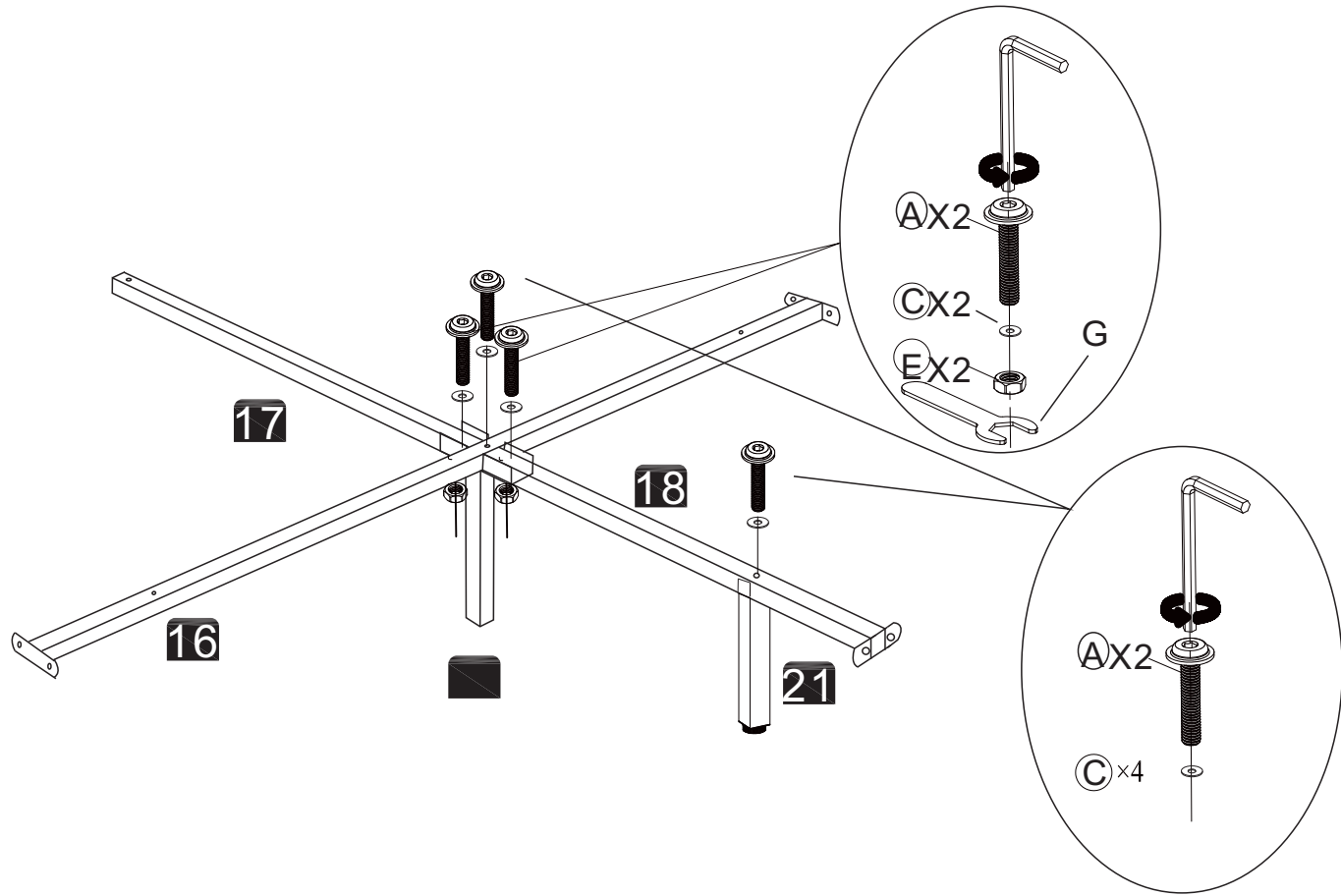
Step 7:

A  x4

E  x2

C  x4

D  x1

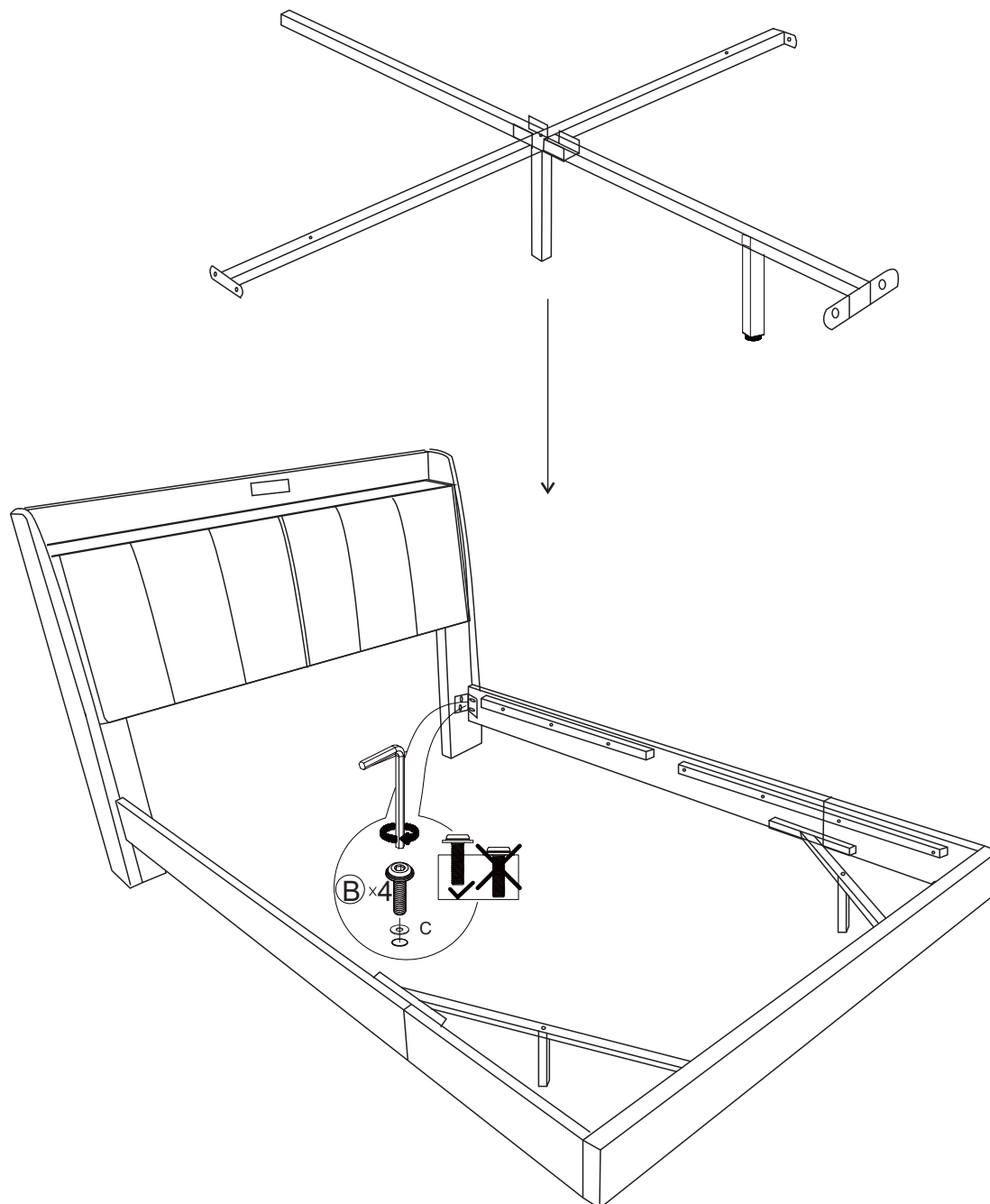


Step 8:

B  x4

C  x4

D  x1

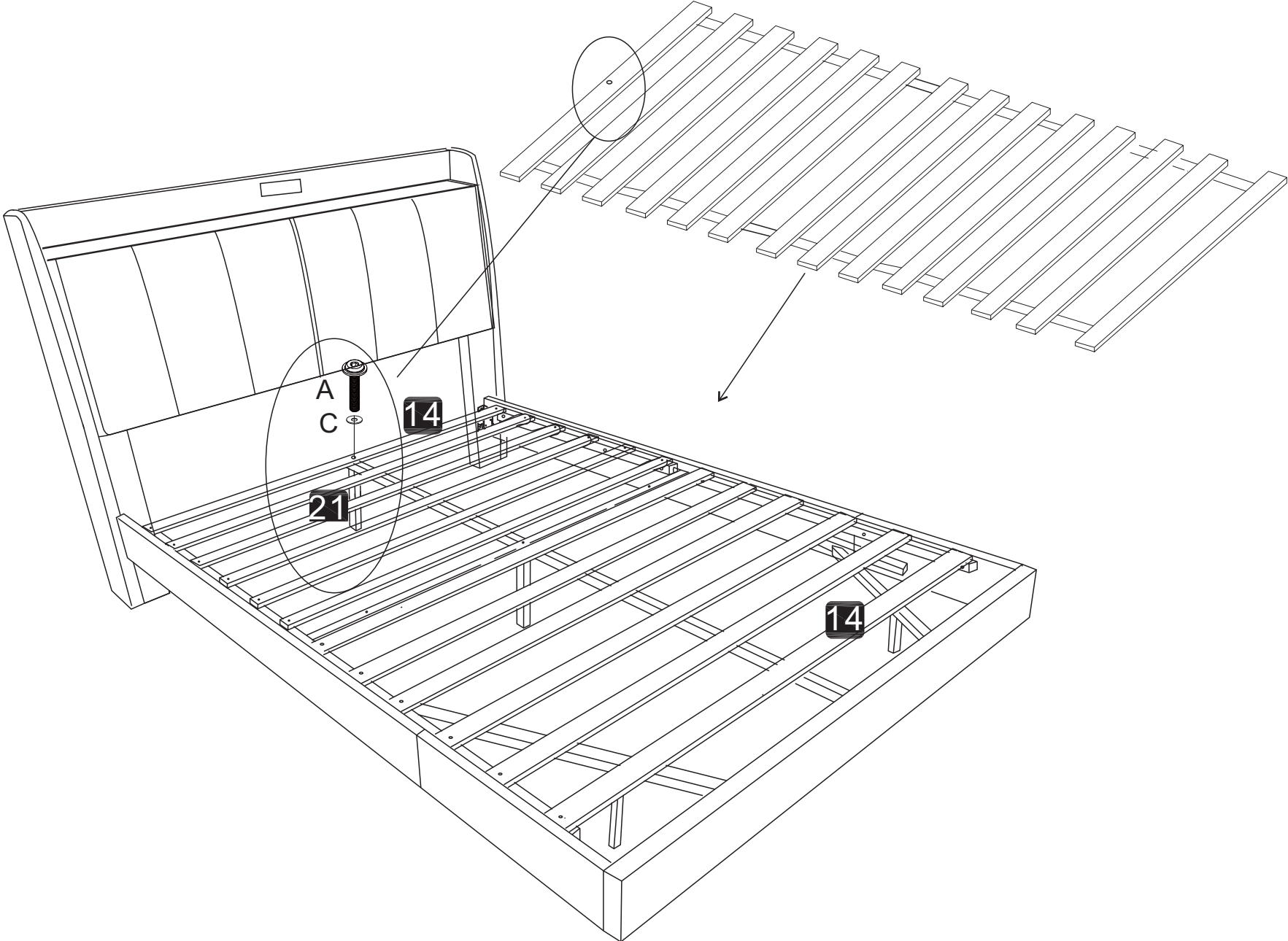


Step10:

(A)  x1

(C)  x1

(D)  x1



Step 11:



Step 12:

