

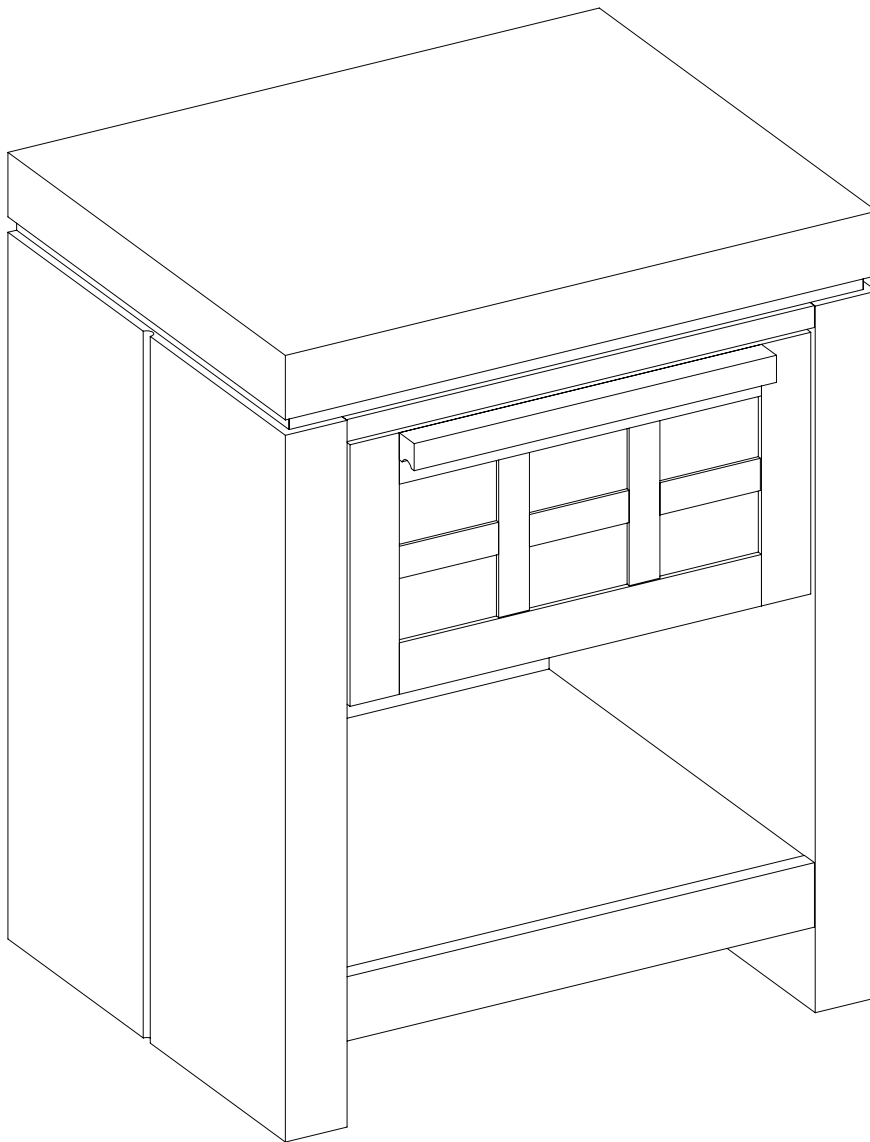
# WALKER EDISON

®

## Nightstand

SKU# WEBKR231D4H01

SKU# WEBKR231D4B01



**For Residential Use Only**

Please visit our website for the most current instructions, assembly tips, report damage, or request parts. [www.walkeredison.com](http://www.walkeredison.com)

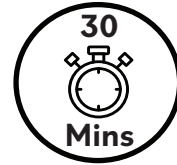


# Time to get started

Set up a clean and soft workplace to get started and avoid damage during the assembly. It also helps to double-check you've got all the pieces and parts before diving in to assembly.

---

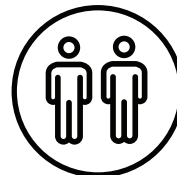
## Estimated time for assembly



---

## People recommended for assembly

Make it a team effort! Grab a friend for quicker, easier assembly.



2 People Build

---

## Tools Needed

Grab a Phillips head screwdriver to conquer this assembly.  
Phillips head screwdriver is not included.



---

## Use power tools with caution

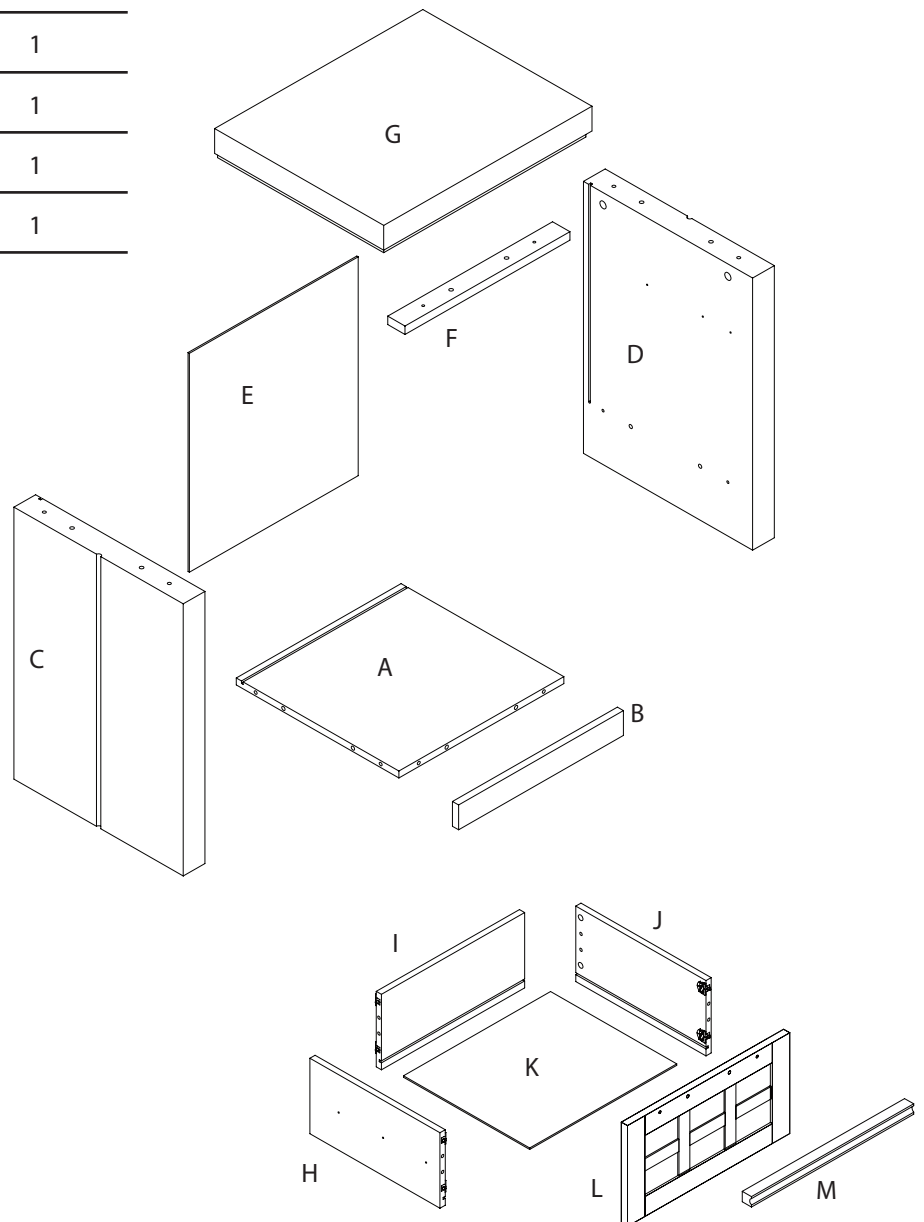
You can cause cracking or damage to the material and easily strip the hardware. If you choose to use a power tool, your product will no longer be covered under Walker Edison's warranty.





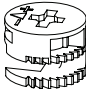

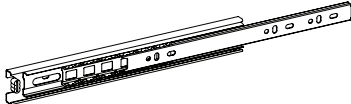
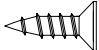






**Scan to get assembly tips and help!**

# WE Parts List

Part Number	Description	Quantity
A	Bottom Panel	1
B	Lower rail	1
C	Left Side Panel	1
D	Right Side Panel	1
E	Back panel	1
F	Top rail	1
G	Top Panel	1
H	Left drawer side panel	1
I	Drawer Back panel	1
J	Right drawer side panel	1
K	Drawer Bottom panel	1
L	Drawe Face Panel	1
M	Handle	1



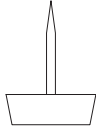
# WE Hardware List

Part	Size	Name	Quantity	Part code	
AA		Ø8x30mm	Wood Dowels	12	PH-DWLNTL001
BB		Ø6x34mm	Cam Bolt	10	PC-KDBZNCH34
CC			Cam Lock	10	PC-KDCZNCH11
DD		Ø30mm	Cover	10	PC-KDPXXX011
EE			Drawer Slide	2	WECHA01204
FF		Ø3.5x12mm	Screw	12	PH-SCRBLK017
GG		Ø4X25mm	Screw	2	PH-SCRBLK018
HH			Back Panel Bracket	4	PH-BKTBLK017
II		Ø6X30 mm	Wood Dowels	8	PH-DWLNTL002
JJ		Ø6x20mm	Wood Dowels	2	PC-DWLLCD6L20
KK		Ø4x20mm	Bolt	2	PC-BOTTBD4L20
LL			Tipping Restraint Hardware	1	PH-FTRHH510

*The hardware quantities listed above are required for proper assembly.  
Extra hardware pieces may be included.*

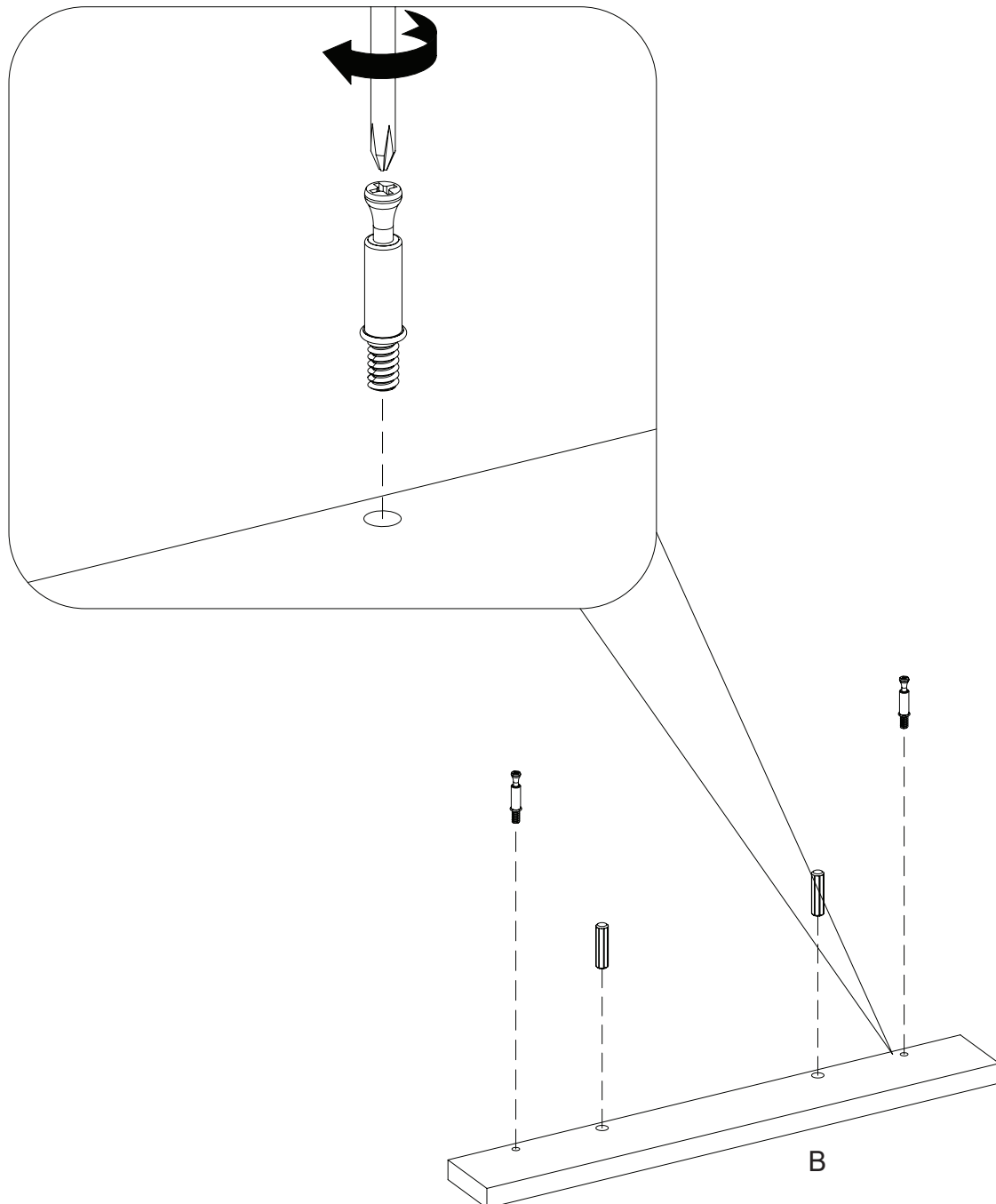


# Installed Replacements Parts

Part	Size	Name	Quantity	Part code
MM		Floor glide	4	PH-GLDWHT001

# Step 1

Let's get started! First, screw the cam bolts (BB) and insert the wood dowels (AA) into the pre-drilled holes in the lower rail (B).

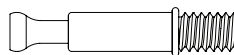


AA



[x2]

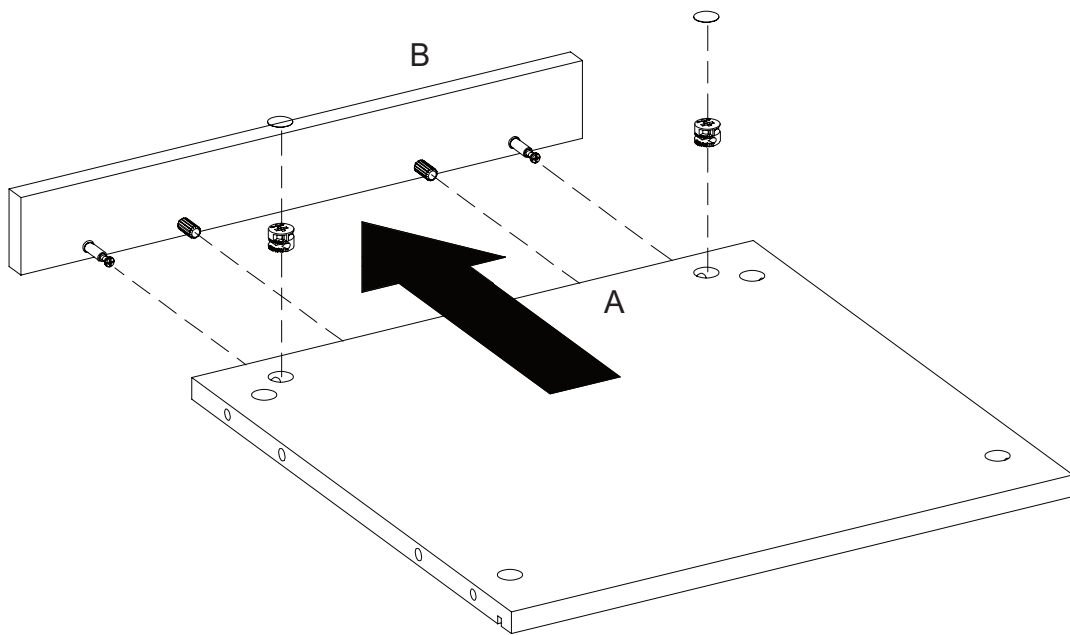
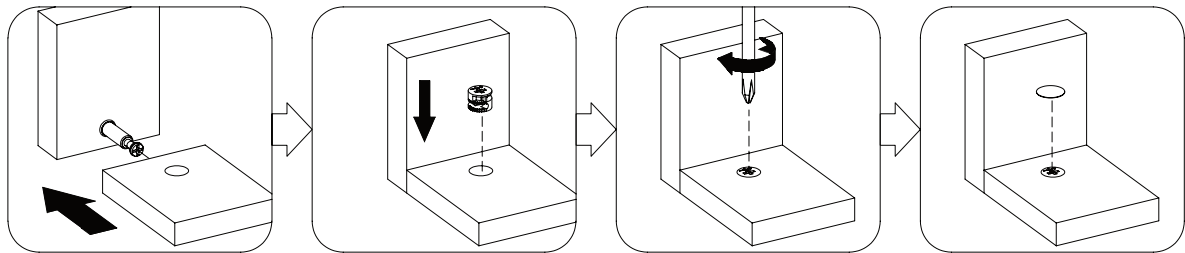
BB



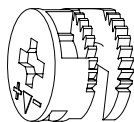
[x2]

# Step 2

Align the cam bolts and the wood dowels to the pre-drilled holes and attach the bottom panel (A) to the lower rail (B). Screw in the cam locks (CC) to secure the pieces together and then place a cover (DD) over the cam locks.



CC



[x2]

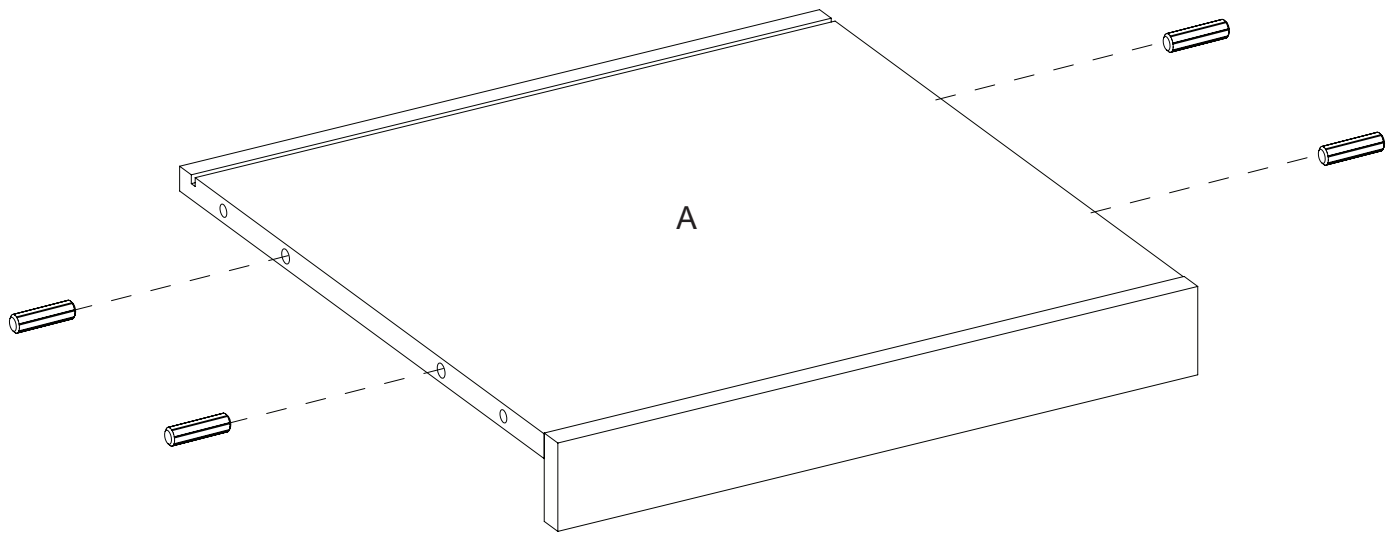
DD



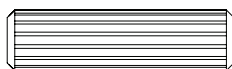
[x2]

# Step 3

Insert the wood dowels (AA) into the sides of the bottom panel (A).



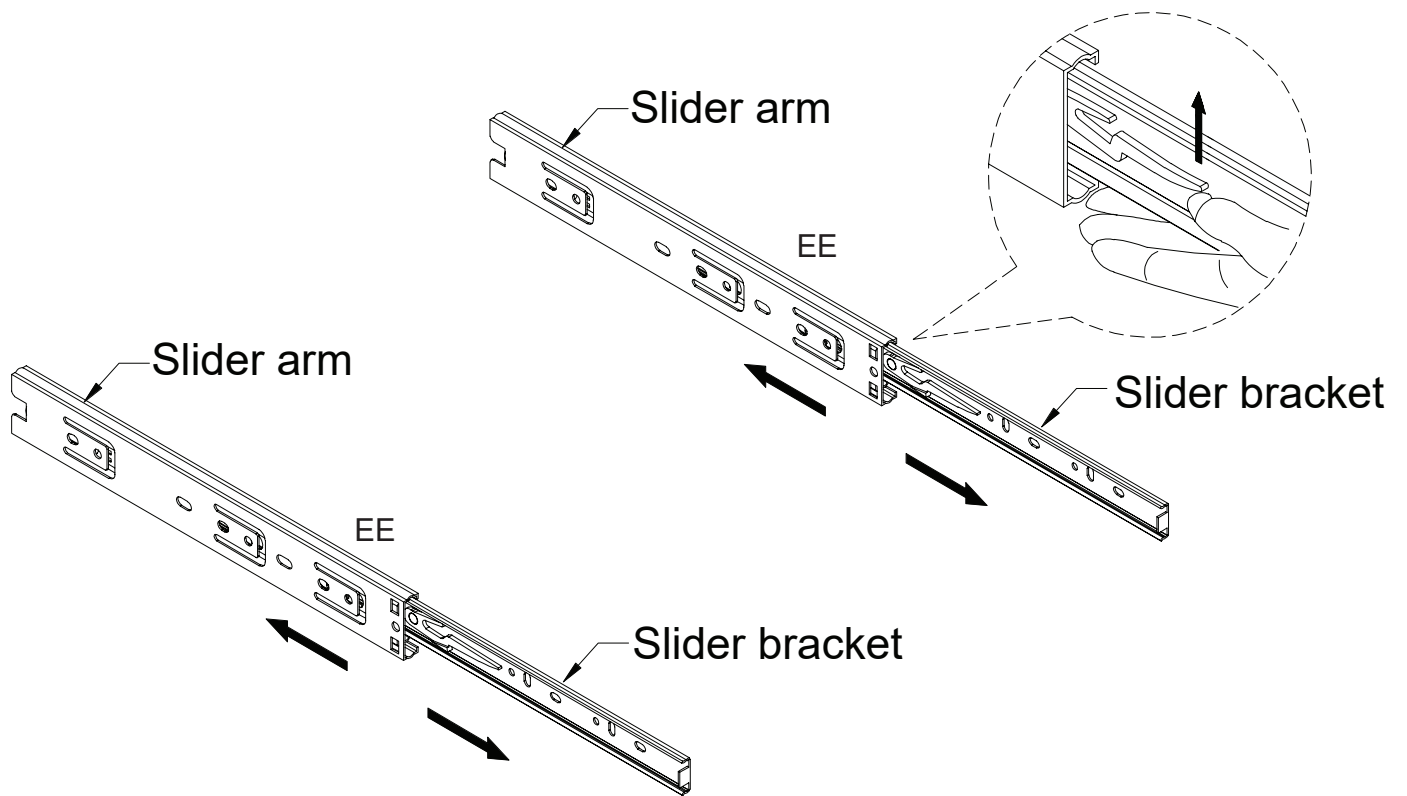
AA



[x4]

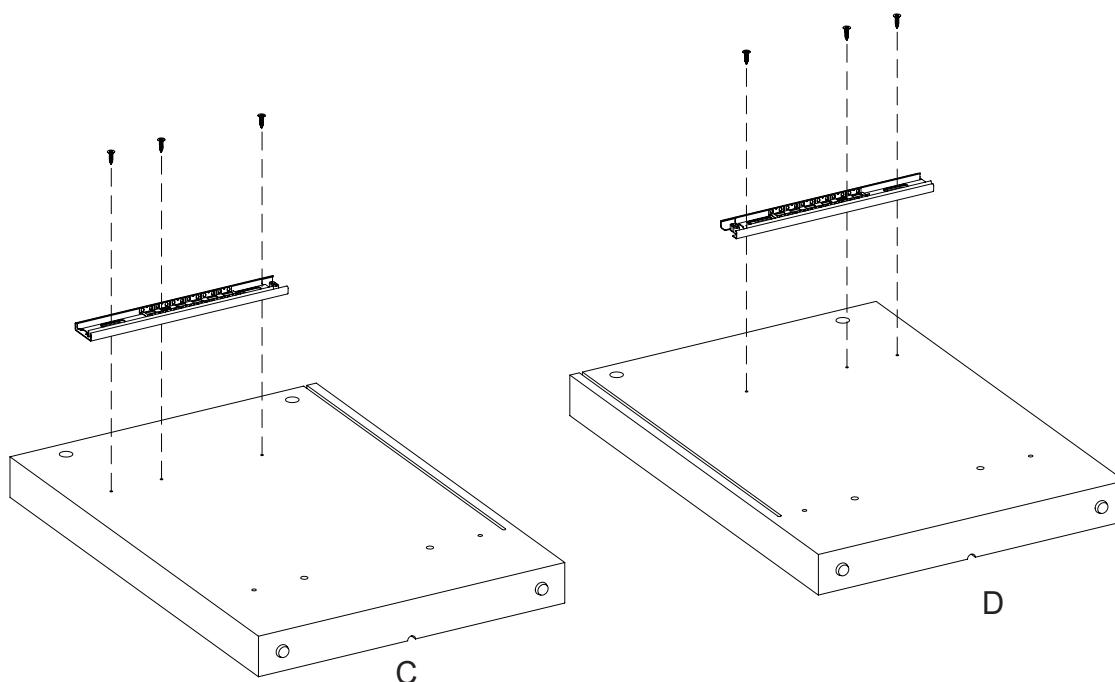
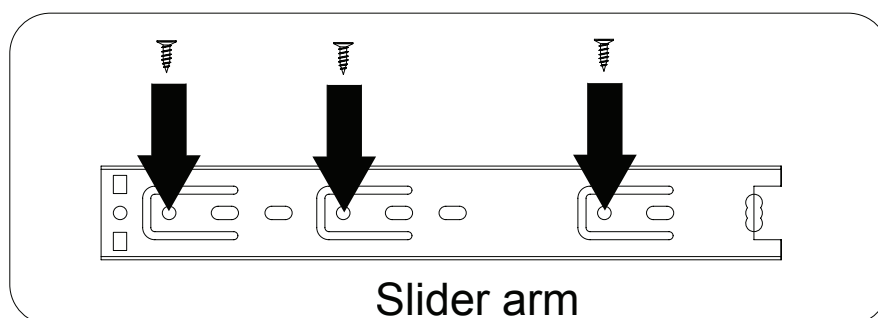
# Step 4

Remove the slider brackets from the slider arms (EE).

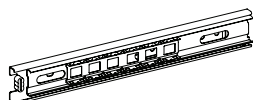


# Step 5

Attach the slider arm (EE) to both the left side and right side panels (C and D) using the screws (FF).

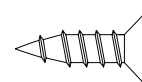


EE



[x2]

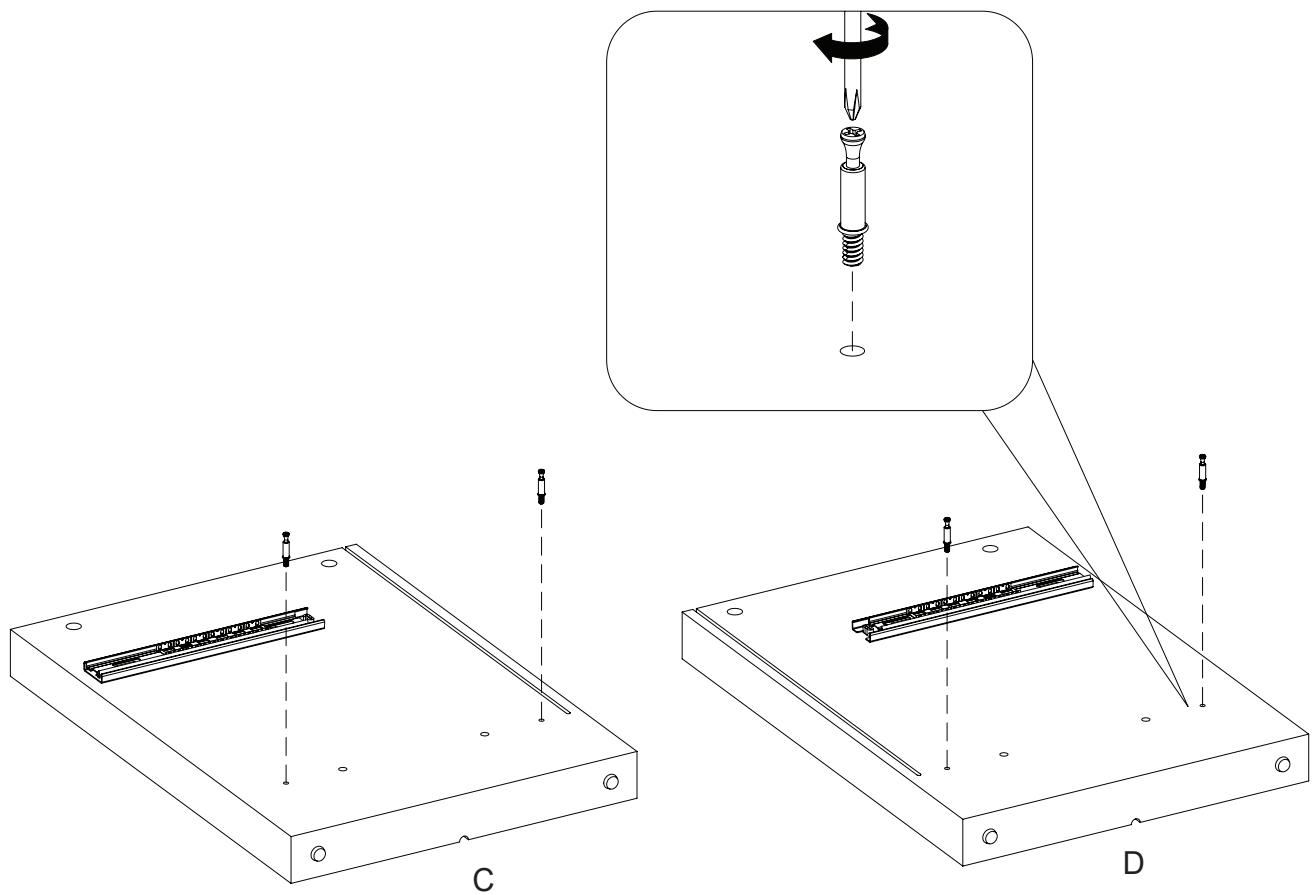
FF



[x6]

# Step 6

Screw the cam bolts (BB) into both the left and right side panels (C and D).



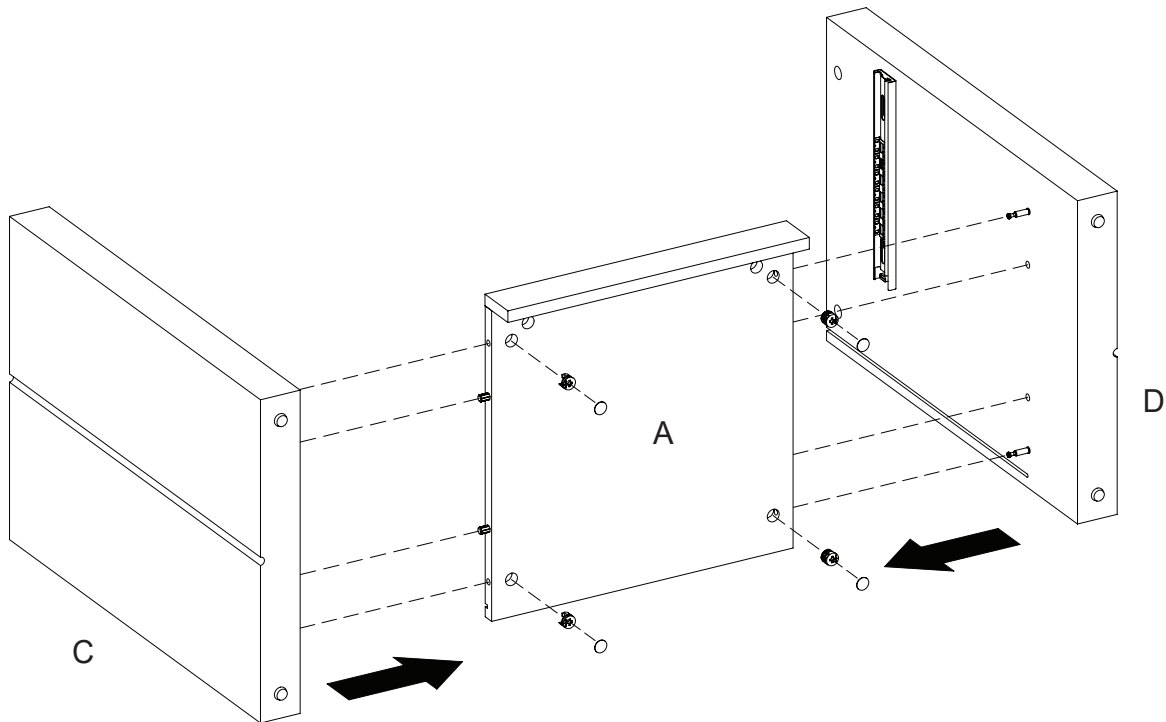
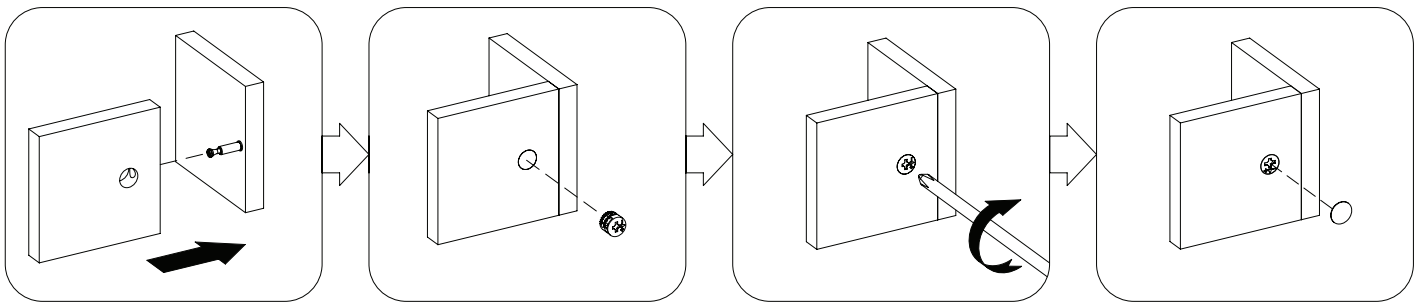
BB



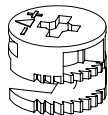
[x4]

# Step 7

Time to connect the panels! Following the image below, align the pre-drilled holes to the cam bolts and wooden dowels and attach the pieces together. Insert the cam locks (CC) and tighten them to secure everything together and then place a cover (DD) over each cam lock.



CC



[x4]

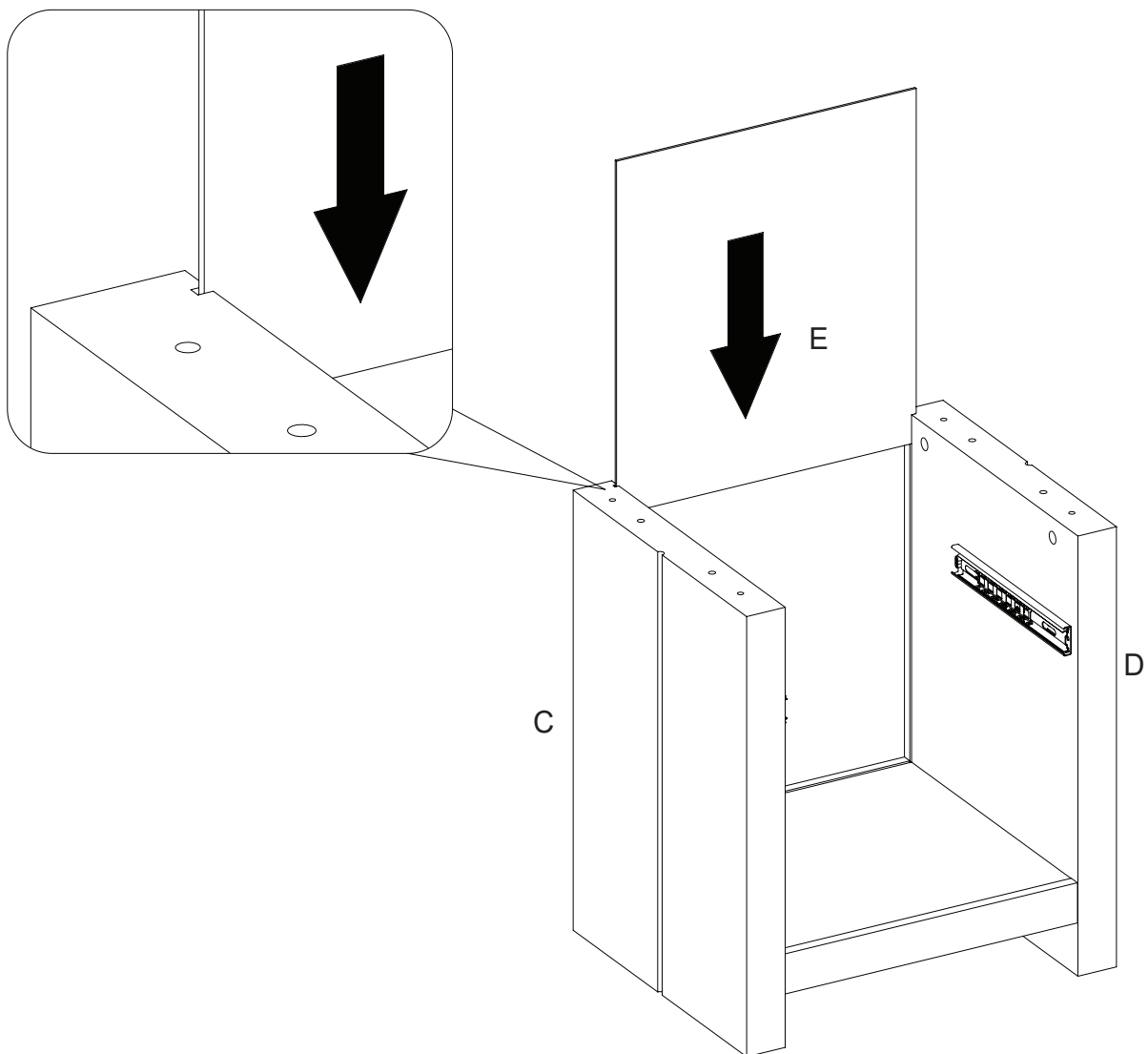
DD



[x4]

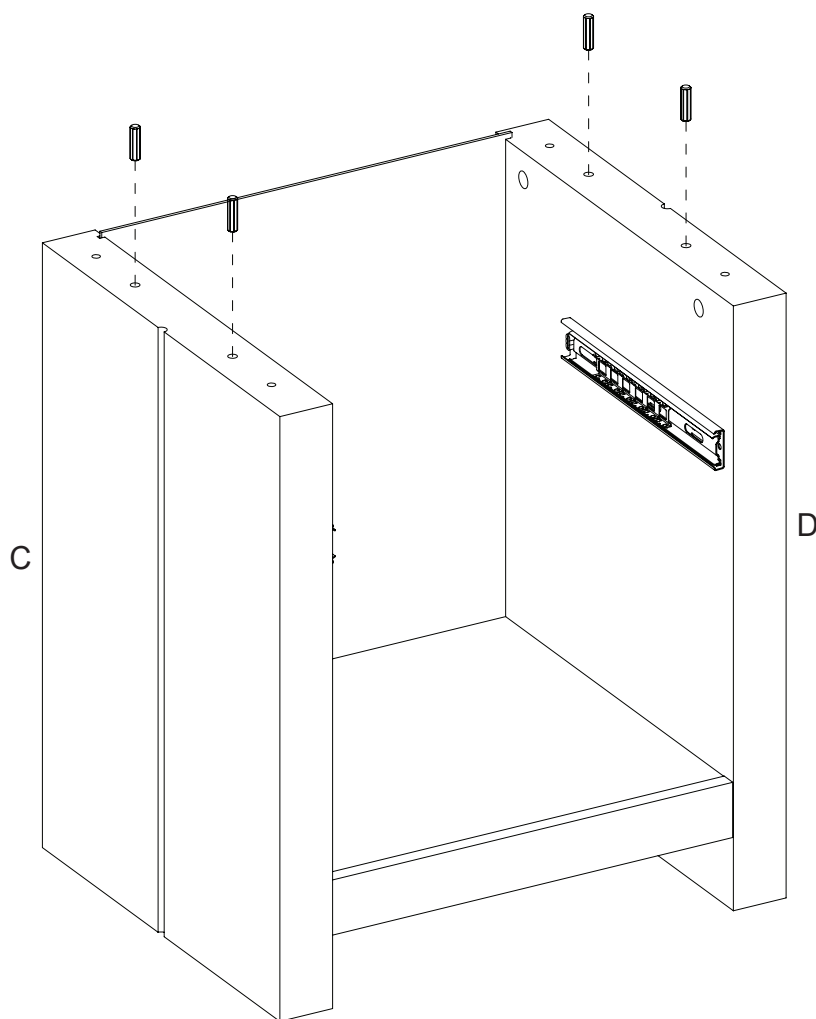
# Step 8

Slide the back panel (E) down into the main assembly.

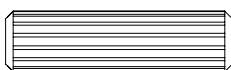


# Step 9

Insert the wood dowels (AA) into the main assembly as shown.



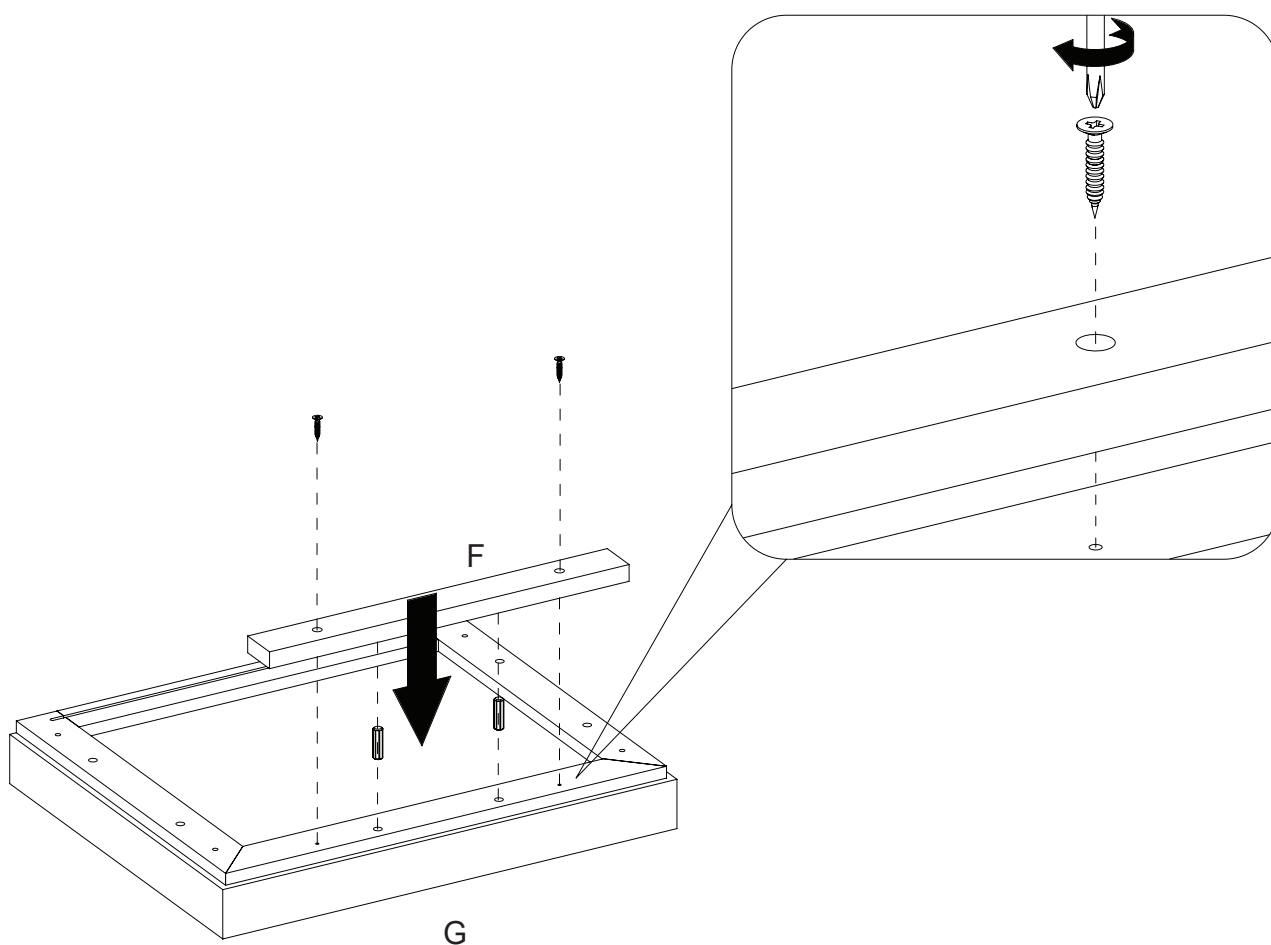
AA



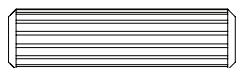
[x4]

# Step 10

Next, insert the wood dowels (AA) into the top panel (G), attach the top rail (F) to the top panel (G) and secure using the screws (GG).

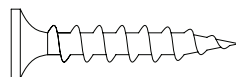


AA



[x2]

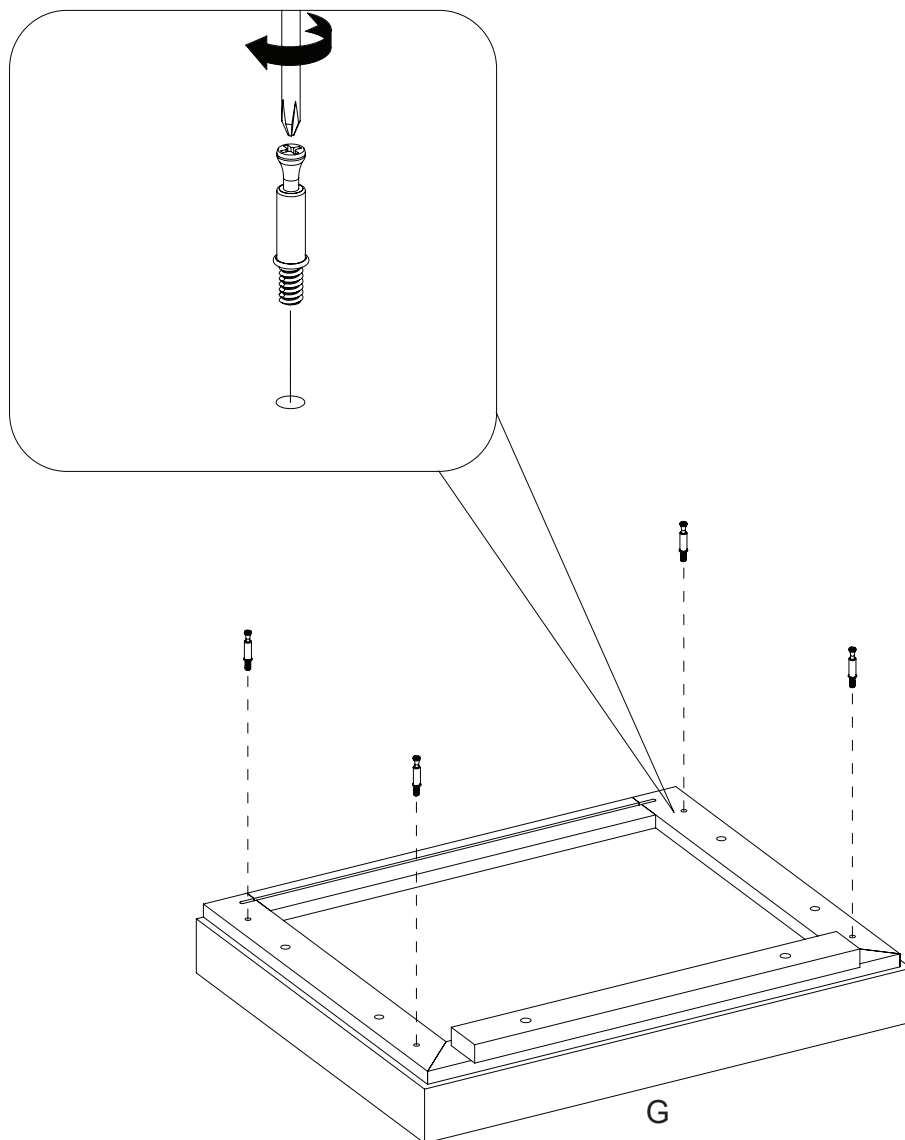
GG



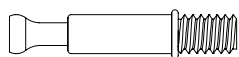
[x2]

# Step 11

Now, screw the cam bolts (BB) into the top panel (G) as shown.



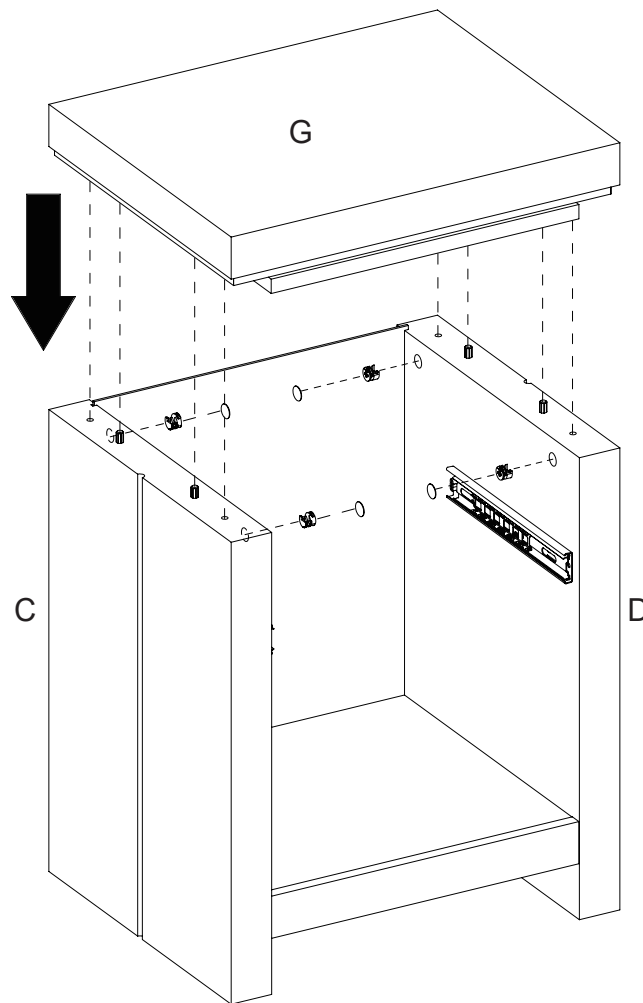
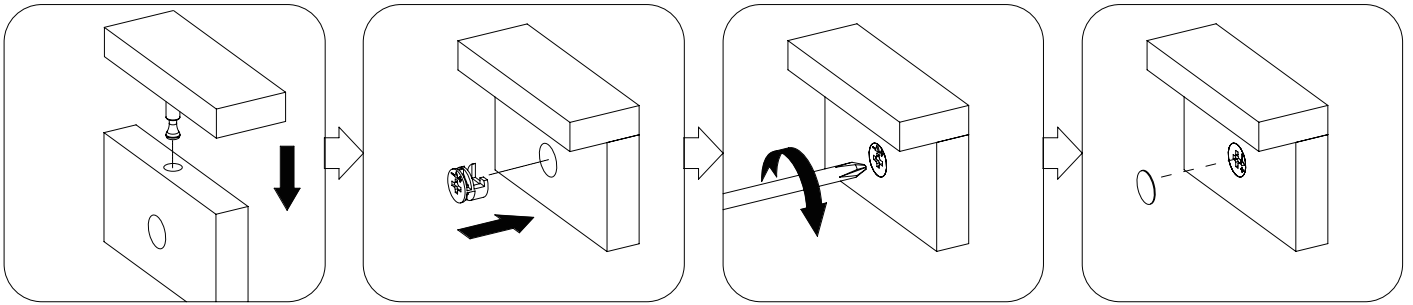
BB



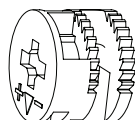
[x4]

# Step 12

Flip the top panel (G) over, align the cam bolts to the pre-drilled holes in the main assembly, and attach the pieces together. Secure using the cam locks (CC) and the place a cover (DD) over each cam lock.



CC



[x4]

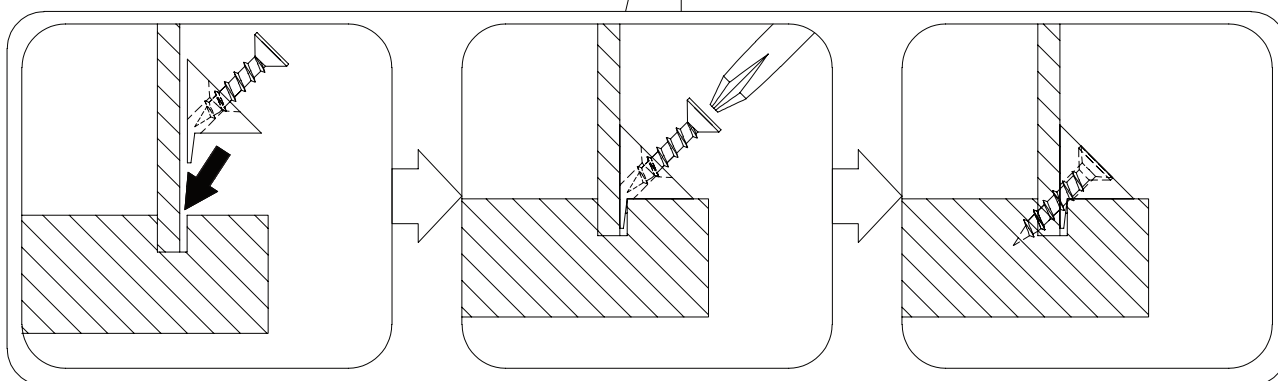
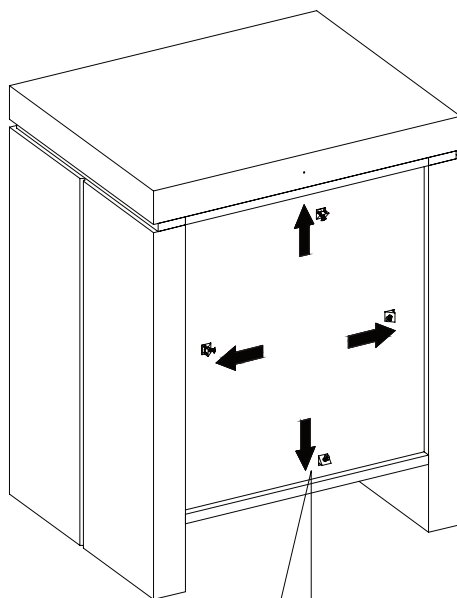
DD



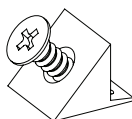
[x4]

# Step 13

Attach the back panel brackets (HH) to the back of the main assembly as shown in the image.



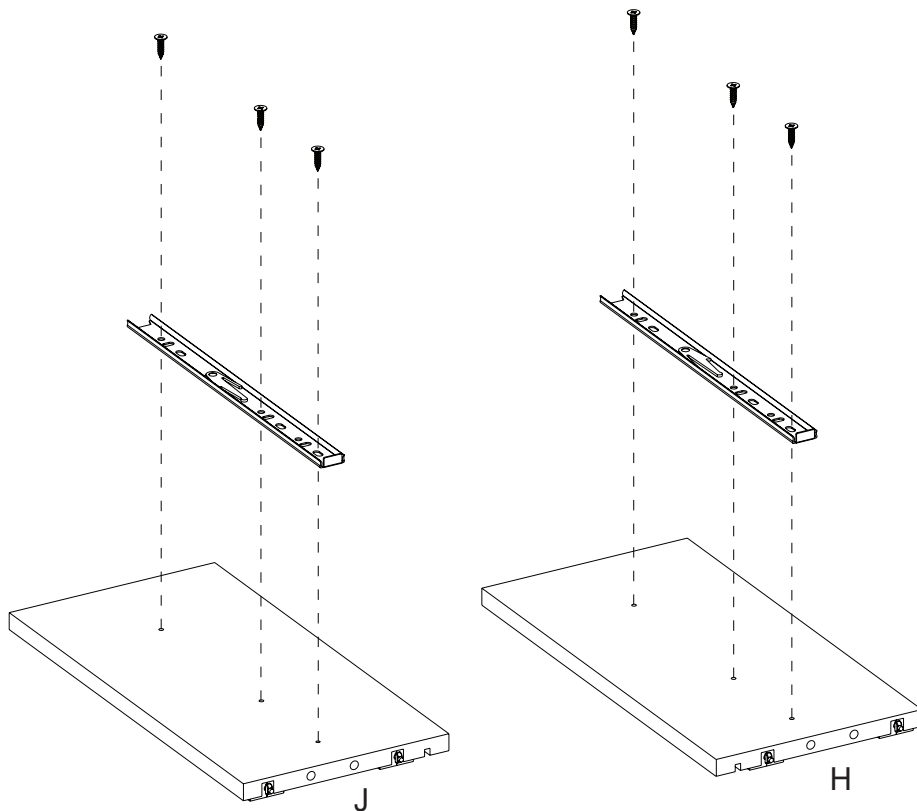
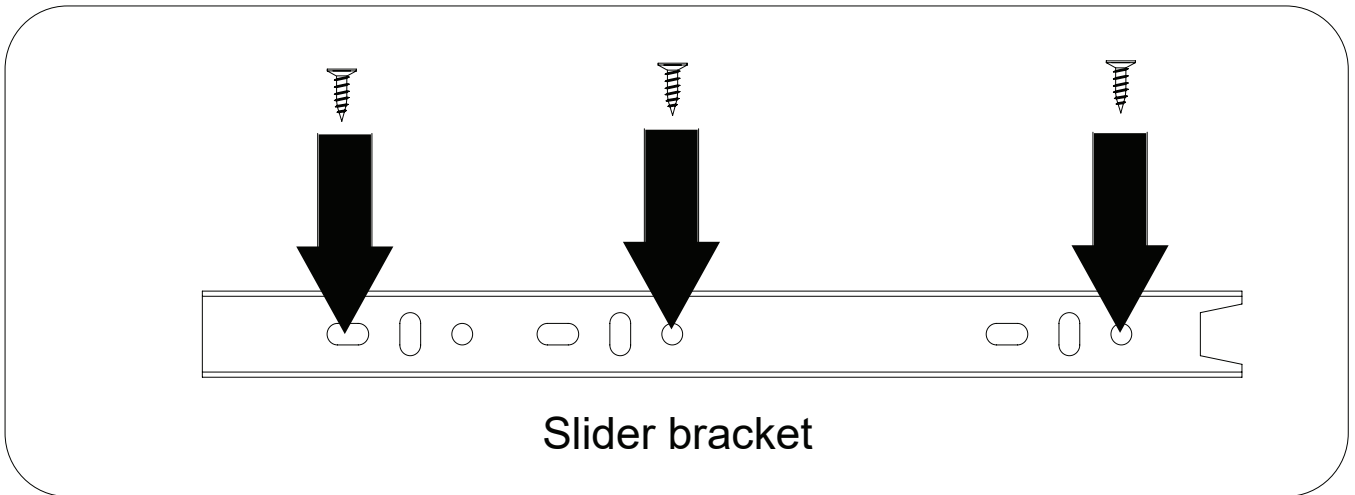
HH



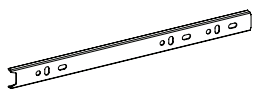
[x4]

# Step 14

We're almost done! Now let's assemble the drawers. First, attach the slider bracket (EE) to the right drawer side panel and the left drawer side panel (J and H) using the screws (FF).

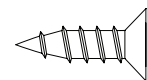


EE



[x2]

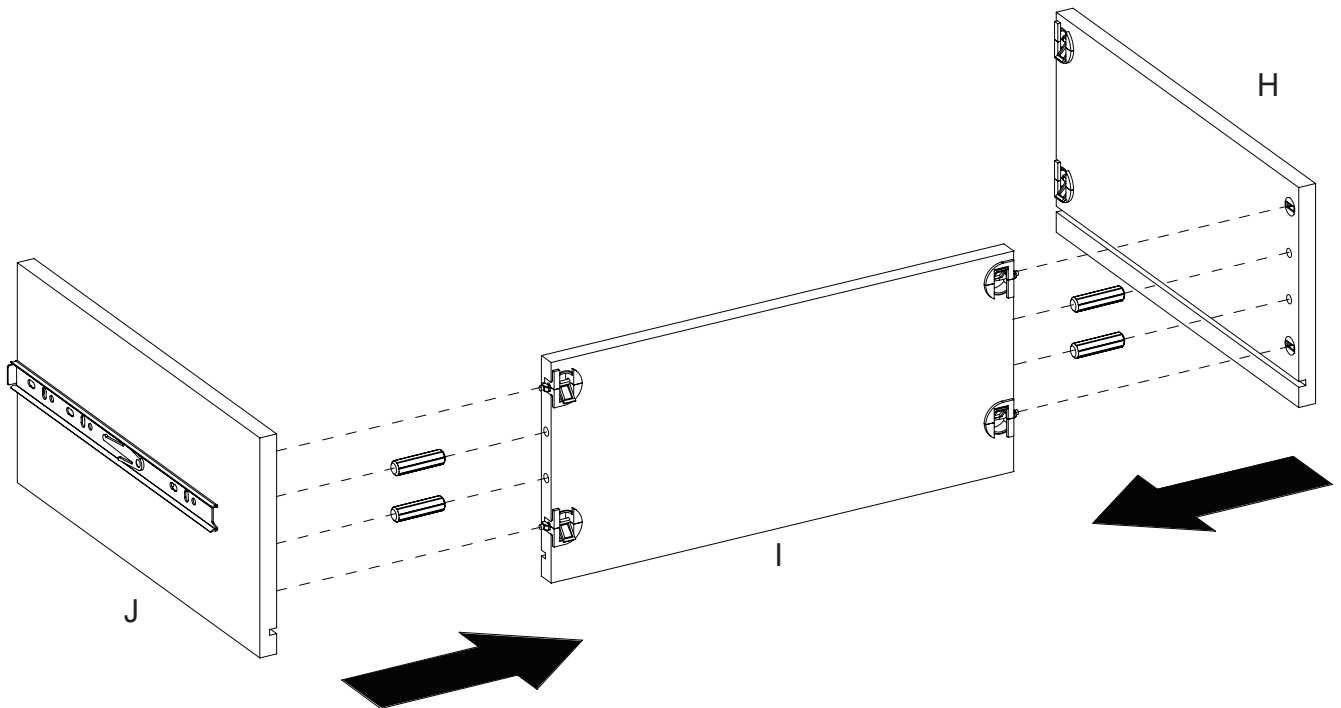
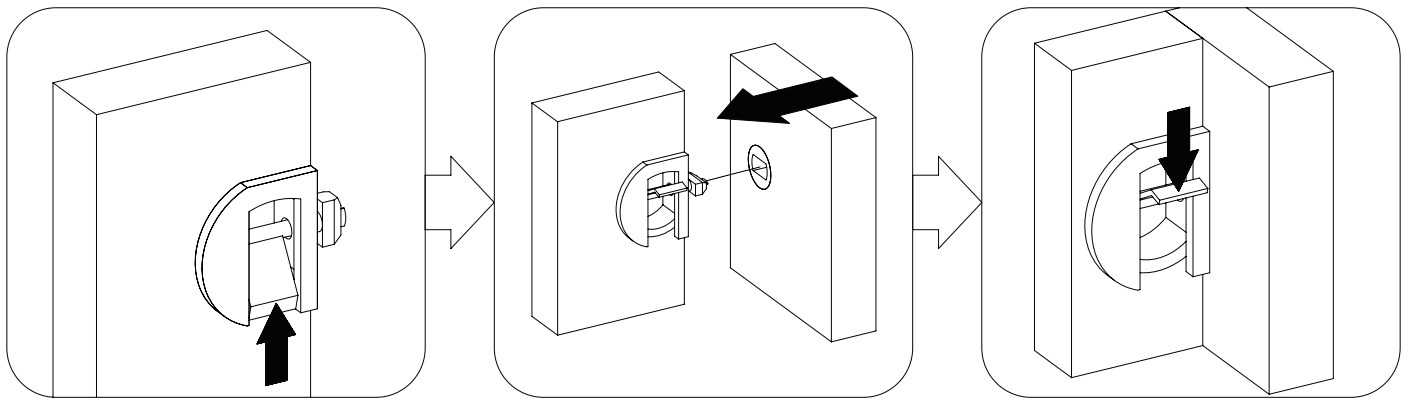
FF



[x6]

# Step 15

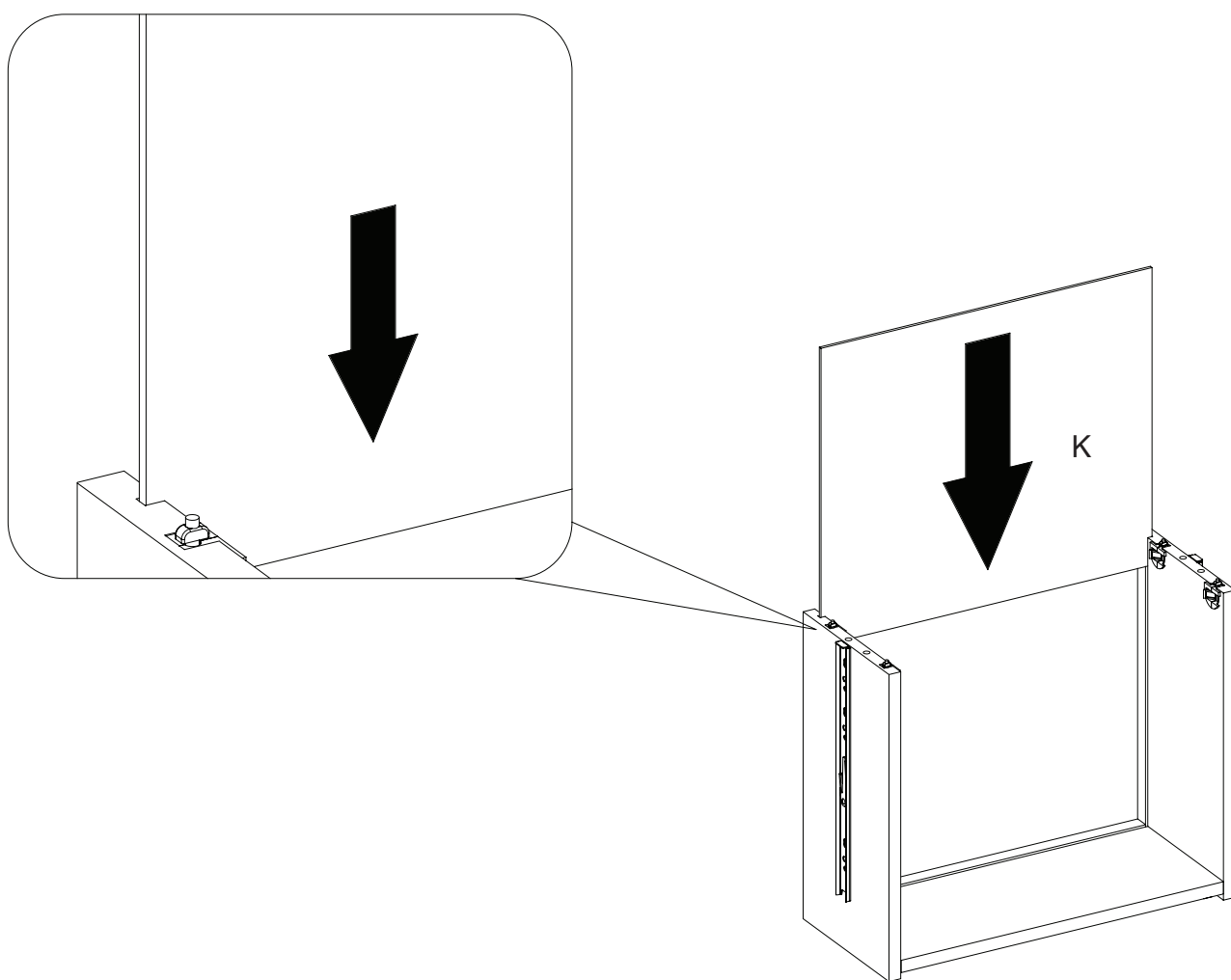
Insert the wood dowels (II) into the drawer back panel (I). Following the directions of the arrows below, push the tabs up before attaching the side panels to the back panel. Once the panels are in place, push the tabs back down.



[x4]

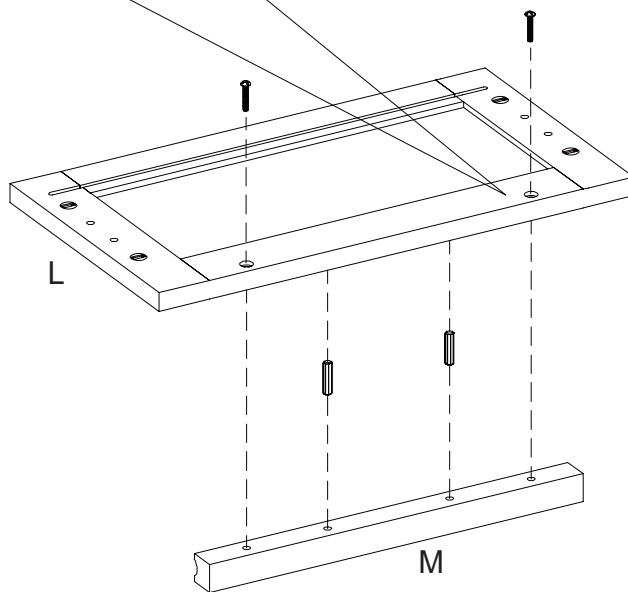
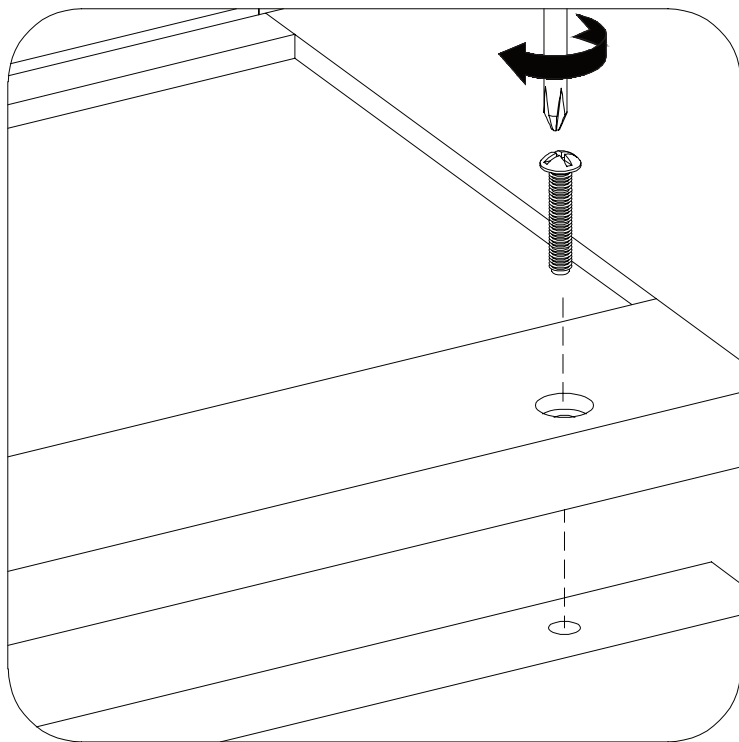
# Step 16

Slide the drawer bottom panel (K) down into place.

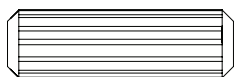


# Step 17

Insert the wood dowels (JJ) into the handle (M). Then, attach the drawer face pane (L) to the handle (M) and secure using the bolts (KK).

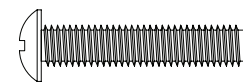


JJ



[x2]

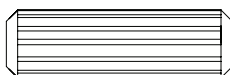
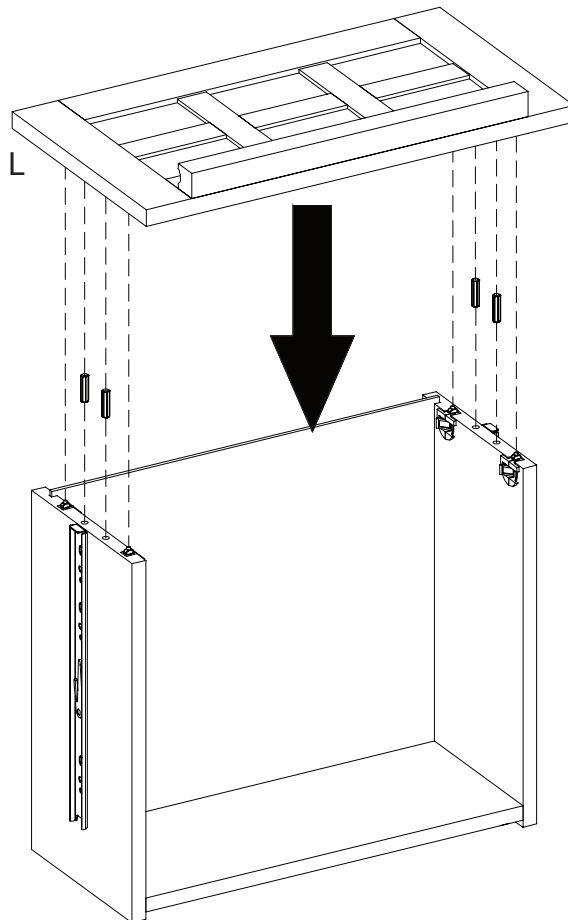
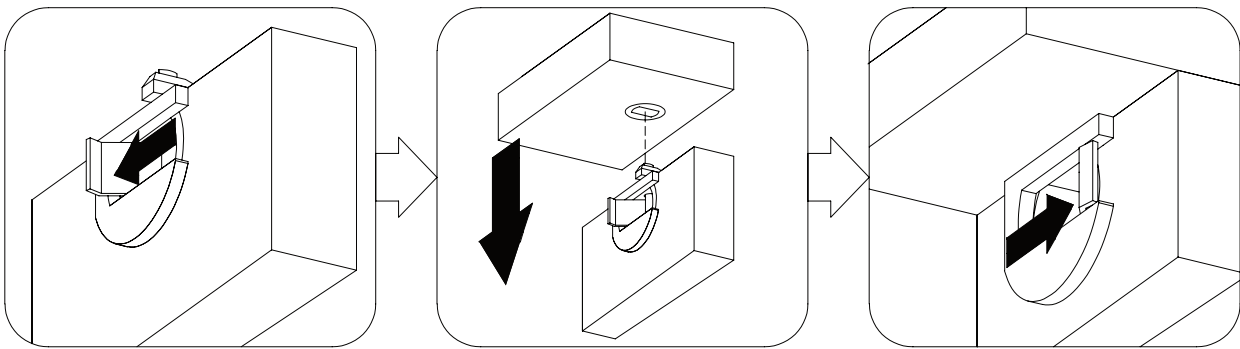
KK



[x2]

# Step 18

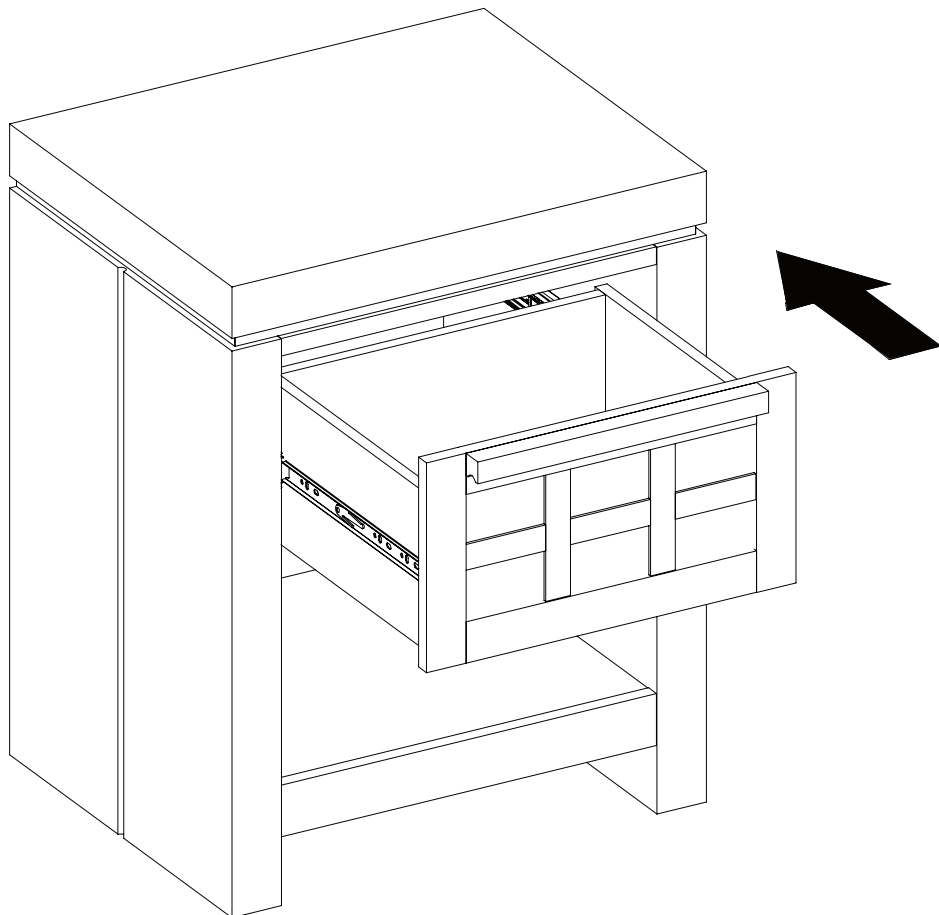
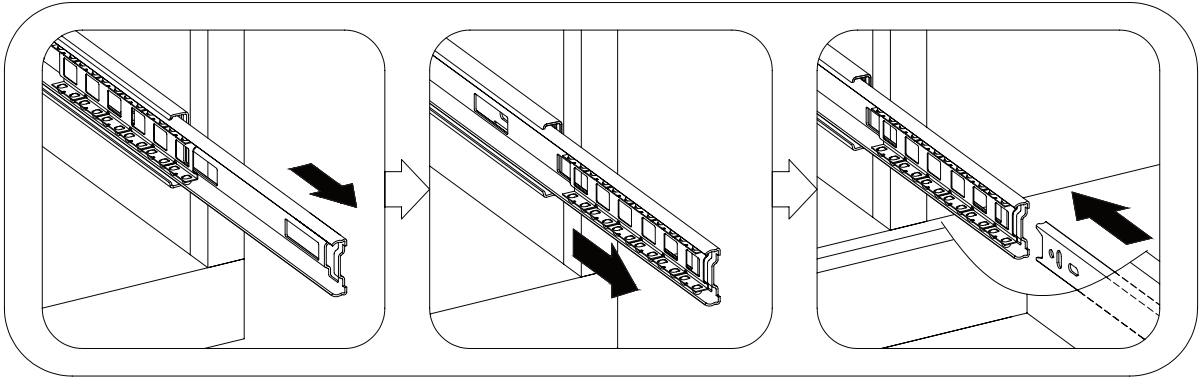
Insert the wood dowels (II) into the assembled drawer. Then, following the direction of the arrows below, push the tabs back before attaching the drawer face panel to the drawers. Then push the tabs forward to secure them in place.



[x4]

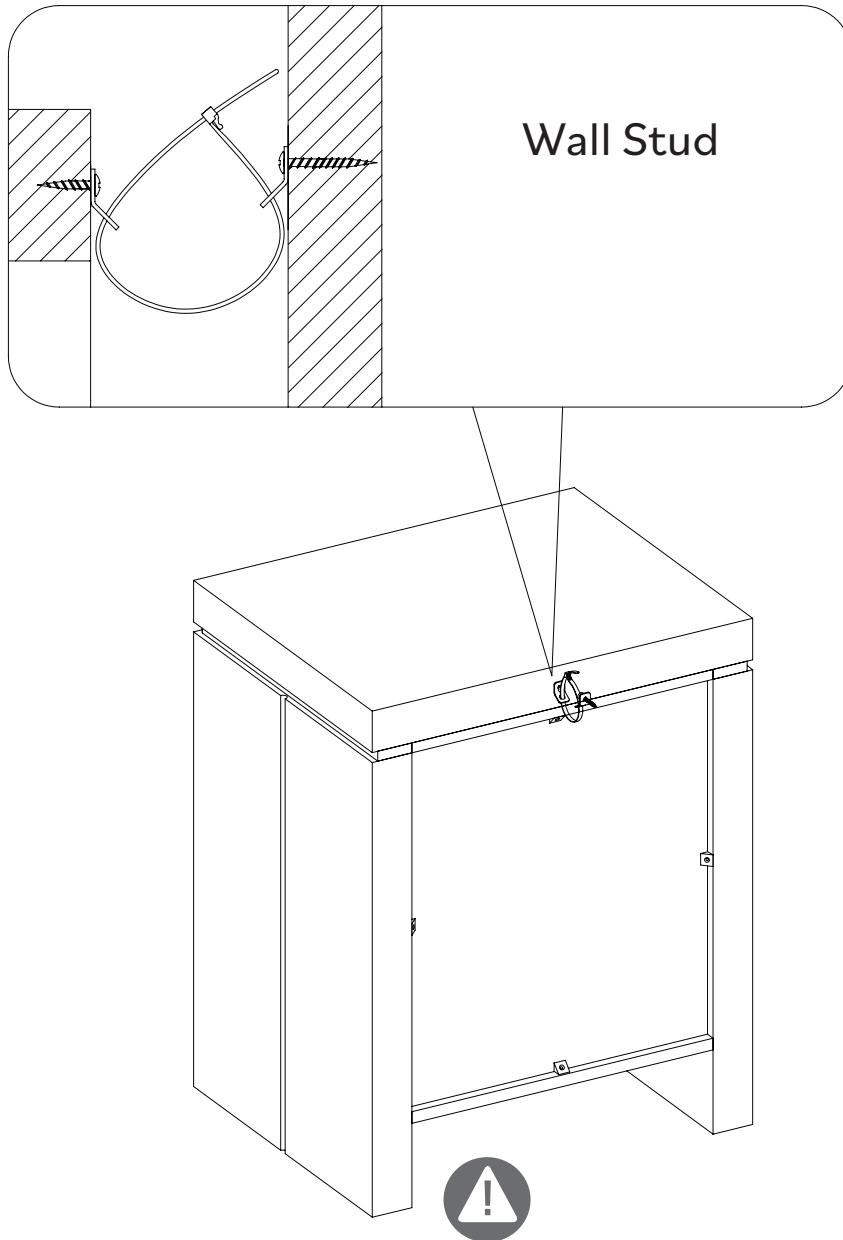
# Step 19

Now, align the slider brackets to the slider arms and glide the drawer closed.



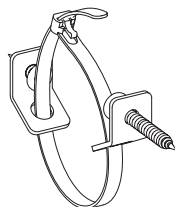
# Step 20

Attach the tip-restraint hardware (LL) to the back before securing it to the wall, as shown below.



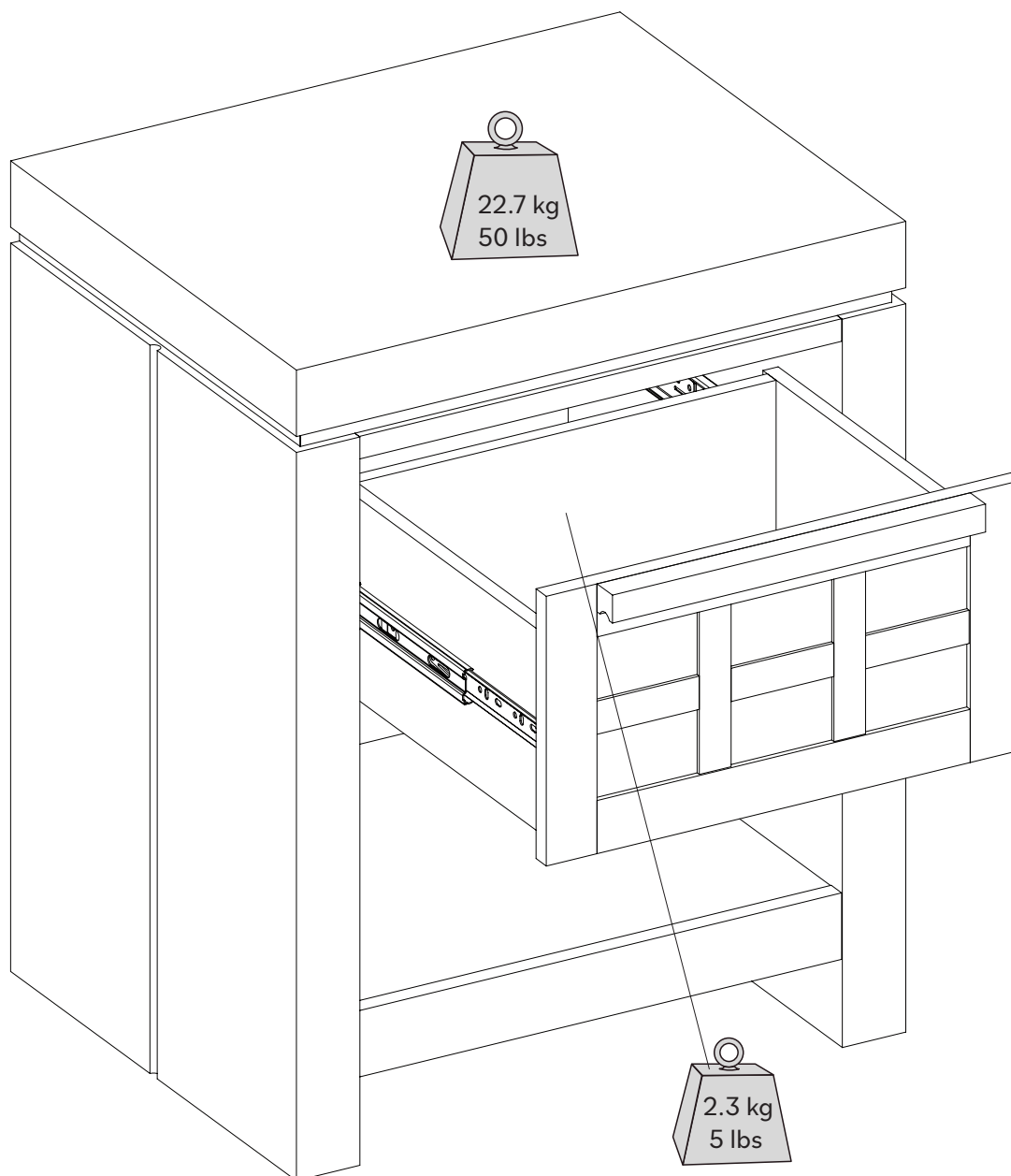
**Warning:** You must install the tip restraint hardware to help prevent any accidents or damage to the unit. We strongly recommend attaching the tip restraint hardware to a wall stud and your unit. For all other wall types, please visit your local hardware store to obtain the proper hardware.

LL



[x1]

# Final Assembly



**Congratulations on your new piece of furniture!**

We would love to hear about it and see it.  
Please leave us a review or post a picture with  
**#mywalkeredisonhome**

# Assembling furniture can be tricky sometimes.

Our customer service team, located in Utah, is here for product information, help assembling a product, or for any other customer support issue

Call us at **801-433-3008**

Email us at [service@walkeredison.com](mailto:service@walkeredison.com)

Visit our Customer Service website at [walkeredison.com/pages/customer-service](https://walkeredison.com/pages/customer-service)

We are available to help Monday -Thursday 8am-5pm, Friday 8am-3pm MST

For details on Assembly Videos, Assembly Instructions, Replacement Parts, and Customer service,

**SCAN HERE**

