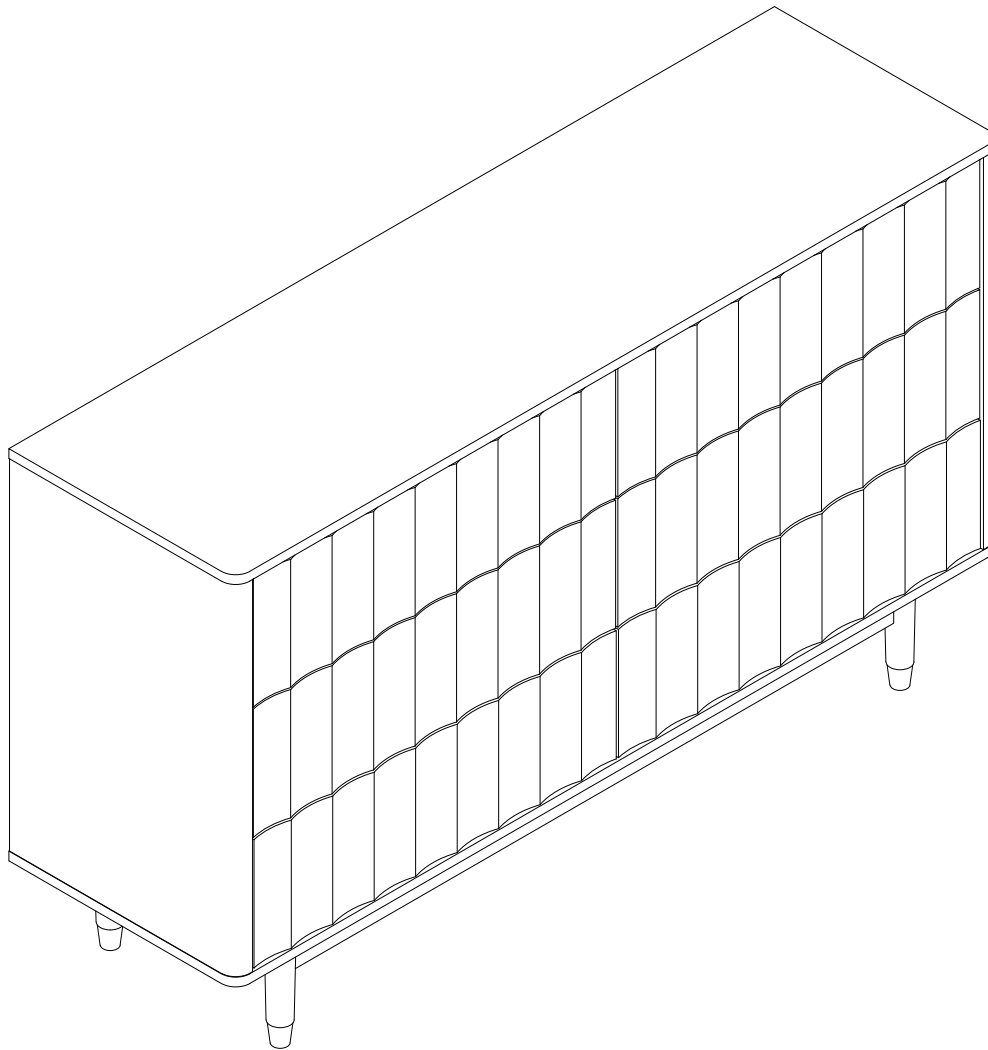


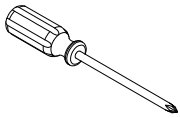
Installation Instruction



Assembling

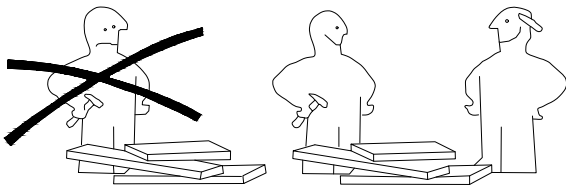
What you need

- Use the packaging carton as a working surface to prevent product damage during assembly
- Phillips head screwdriver



Weight Limitation


100 | **35**
 lbs table top lbs per



What' included

Code	Description	Qty
A	Cam Bolt M6X35MM	64
B	Cam Lock 15X9MM	64
C	Wooden Dowel M8X30MM	12
D	Screw M4X40MM	38
E	The screw M3X14MM	102
F	Hole position sticker	32
G	The back button	16
H	Thumbtack	4
I	Anchor	2
J	Nylon Strap	2
K	The screw M6X40MM	8
L	Reinforced iron sheet	4
M	Spring washer	8
N	Gasket	8
O	Door Rebound Device Holder	6
P	Door Rebound Device	6
Q	Vrench M4X55MM	1
R	Adjustable Leveler	1
S	Four hole iron sheet	1
T	The screw M3.5X14MM	4

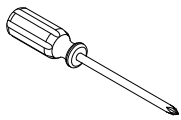
Assembling

What' included

Code Description	Qty
CL Left mother extended orbit	6
CR Right mother extended orbit	6
DL Left public extension track	6
DR Right public extends track	6

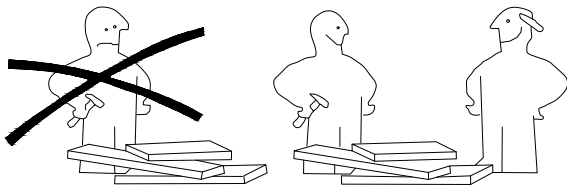
What you need

- Use the packaging carton as a working surface to prevent product damage during assembly
- Phillips head screwdriver



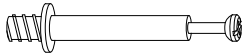
Weight Limitation

 **100** | **35**
lbs table top lbs per

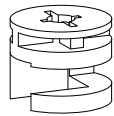


The Hardwares

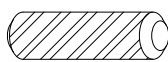
A



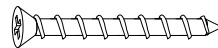
B



C



D



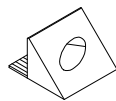
E



F



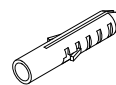
G



H



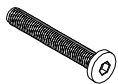
I



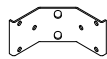
J



K



L



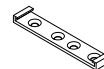
M



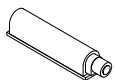
N



O



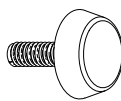
P



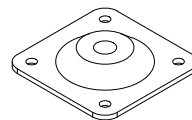
Q



R



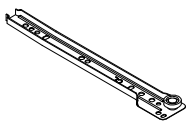
S



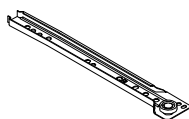
T



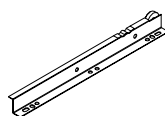
CL



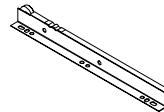
CR



DL



DR



IMPORTANT:

1. Do not tighten bolts / screws completely until all bolts / screws are lined up and inserted into holes.
2. Do not over tighten screws and bolts to avoid stripping
3. Please use hand tools to assemble this product, you can also use power tools (please use power tools carefully)

Included Accessories

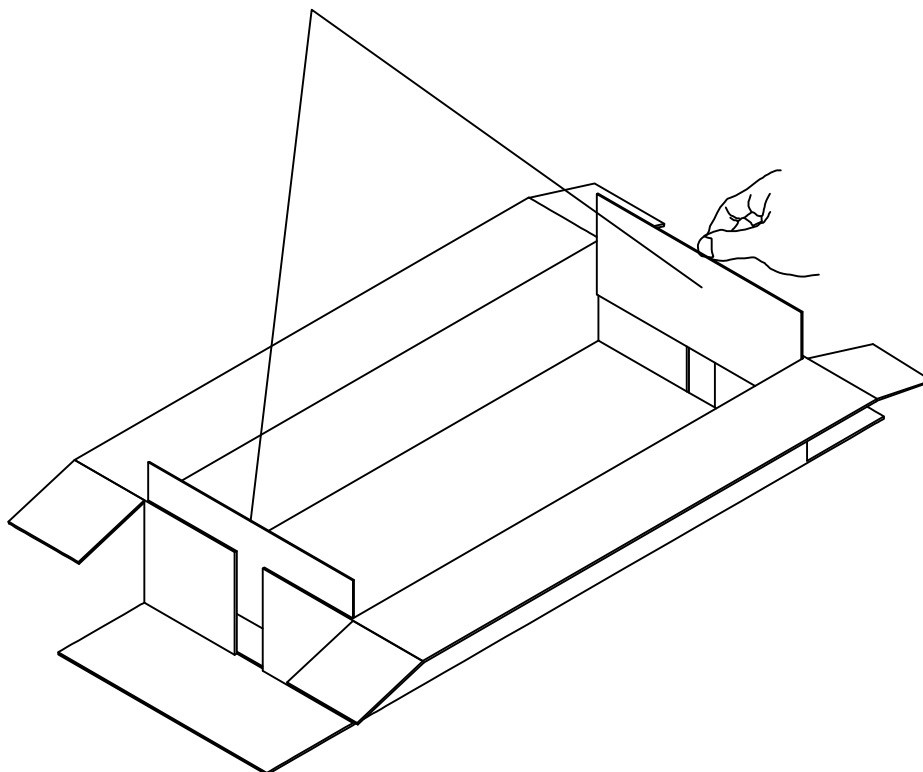
Code	Description	Qty
1	Cabinet Top	1
2	Bottom Panel	1
3	Left Side Panel	1
4	Right Side Panel	1
5	Median plate	1
6	After the gusset plates	2
7	Drawer damper	2
8	Backplane	4
9	Long drain	2
10	Short drain	2
11	Supporting leg	4
12	Median leg	1
13	Baffle plate	6
14	Drawer left panel	6
15	Drawer right panel	6
16	After the drawer board	6
17	The drawer bottom	6
18	Drawer left panel	3

Included Accessories

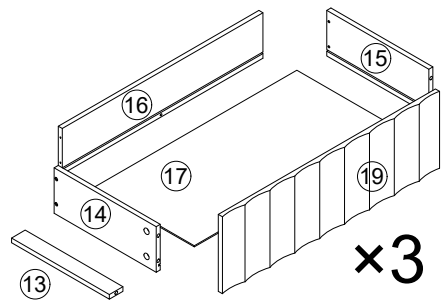
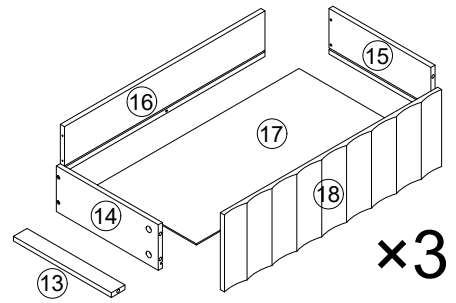
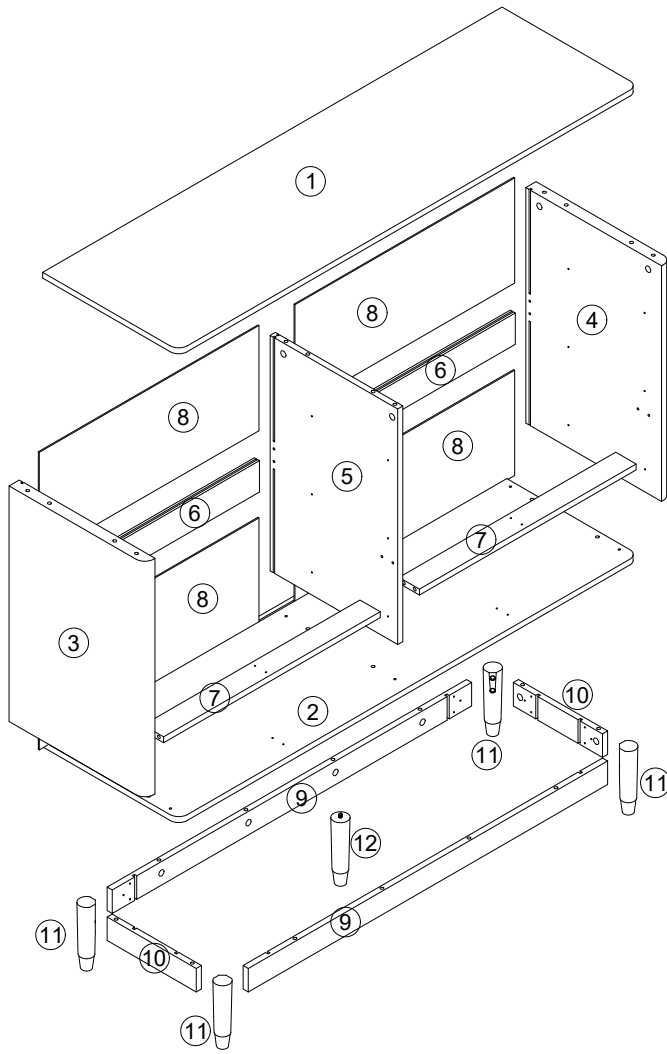
Code	Description	Qty
19	Drawer right panel	3



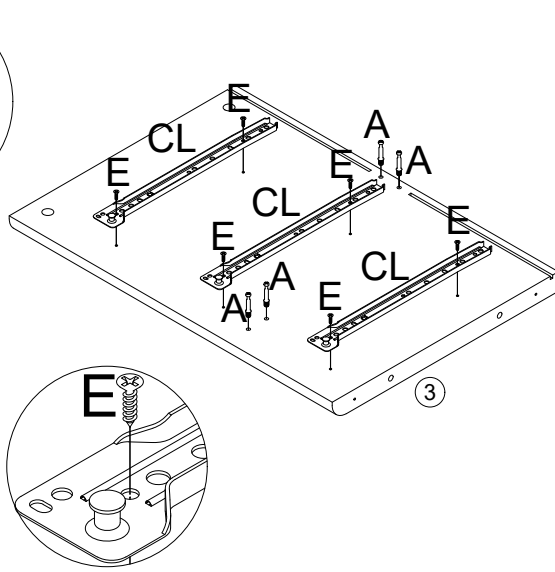
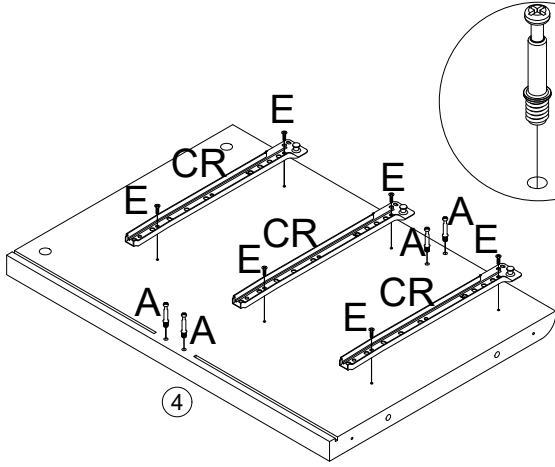
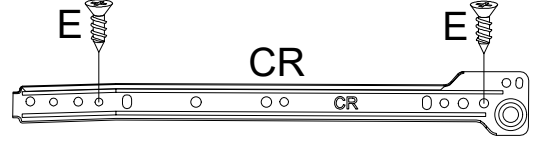
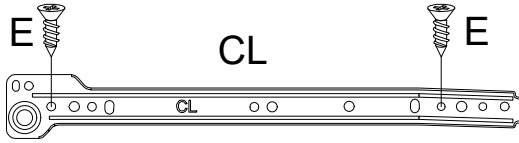
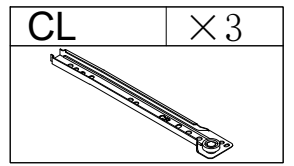
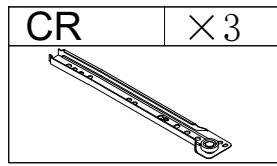
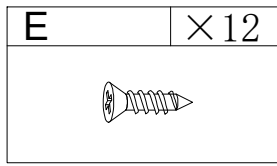
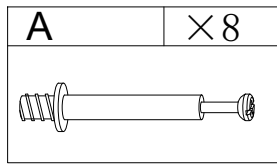
The two panels on the left and right of the package are used to protect the product, you can just throw it away.



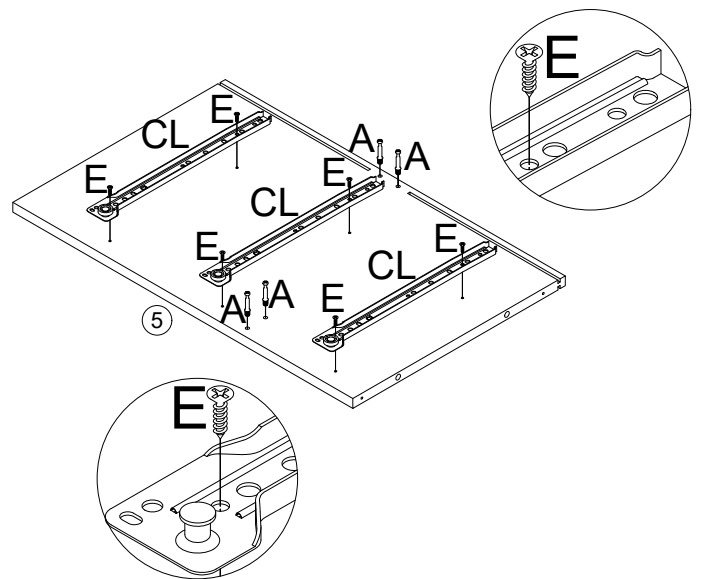
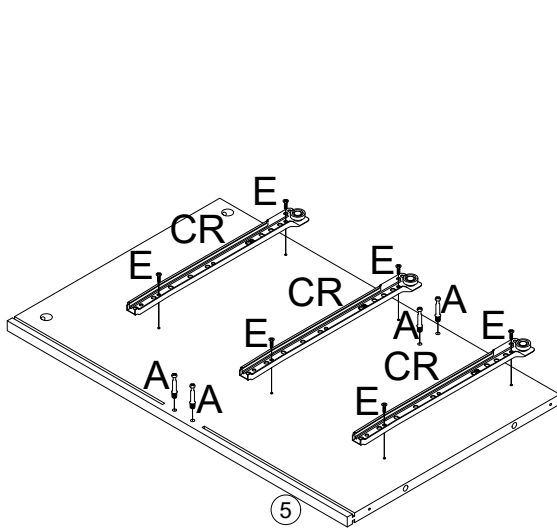
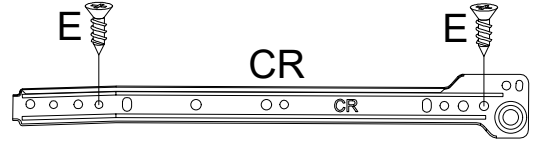
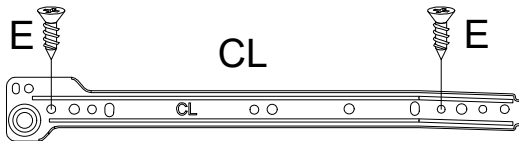
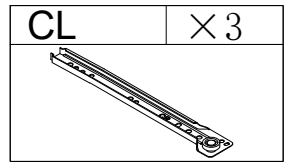
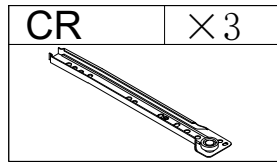
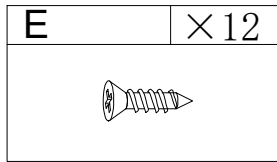
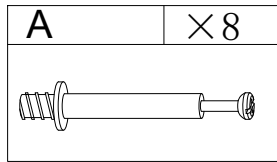
The Accessoriess




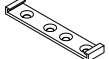
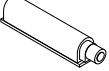
Step 1

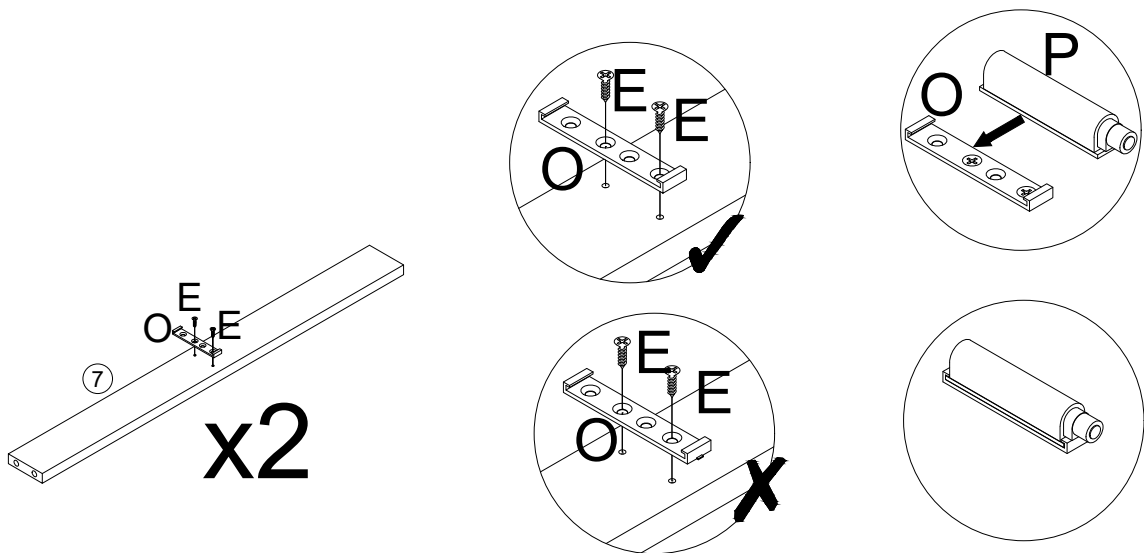


Step 2



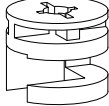

Step 3

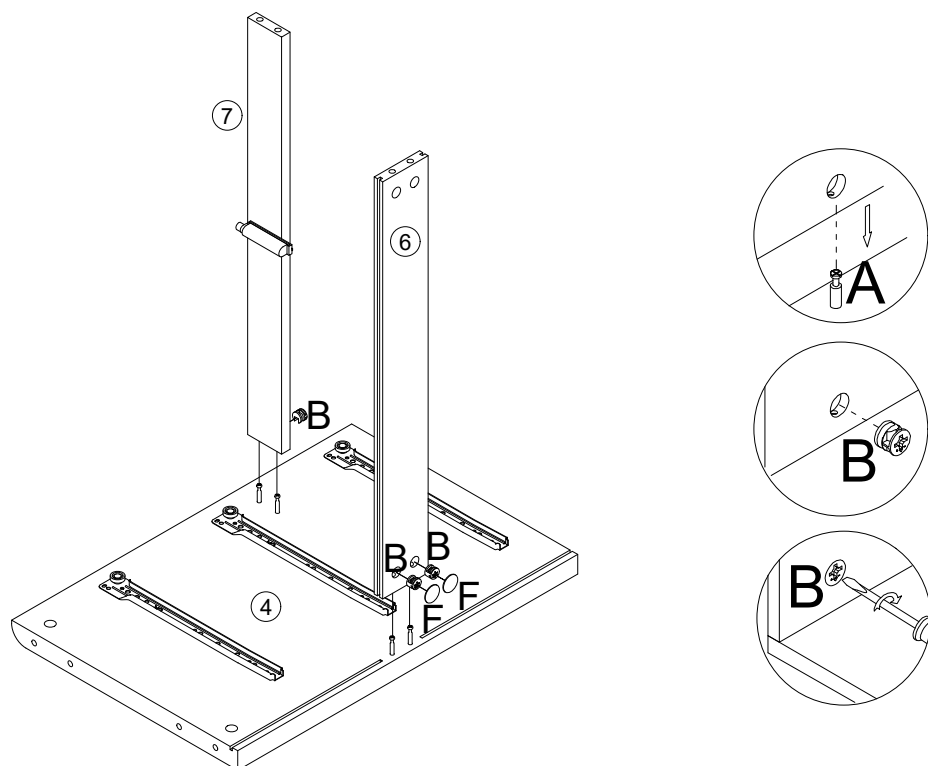
E	×4	O	×2	P	×2
					



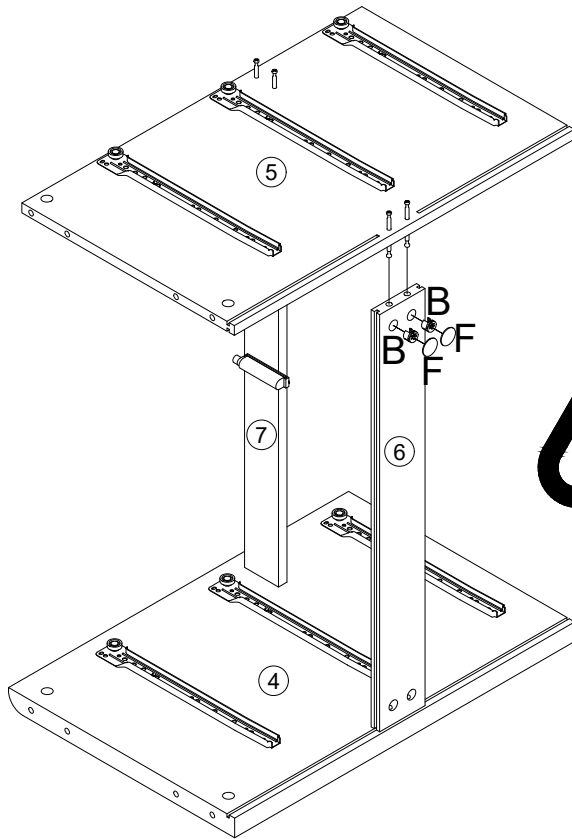
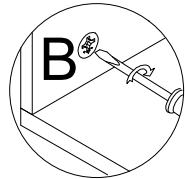
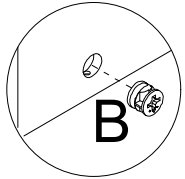
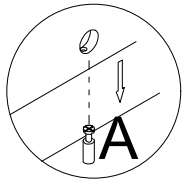
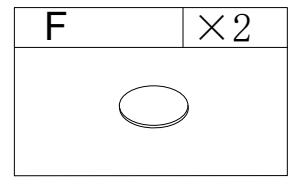
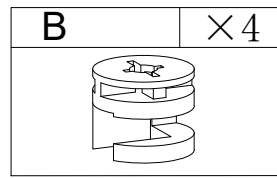
Make sure you put the O lock on the board before you can put P in.

Step 4

B	×4	F	×2
			

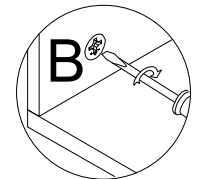
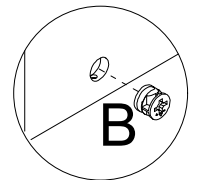
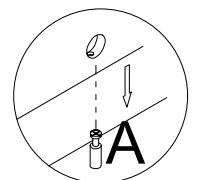
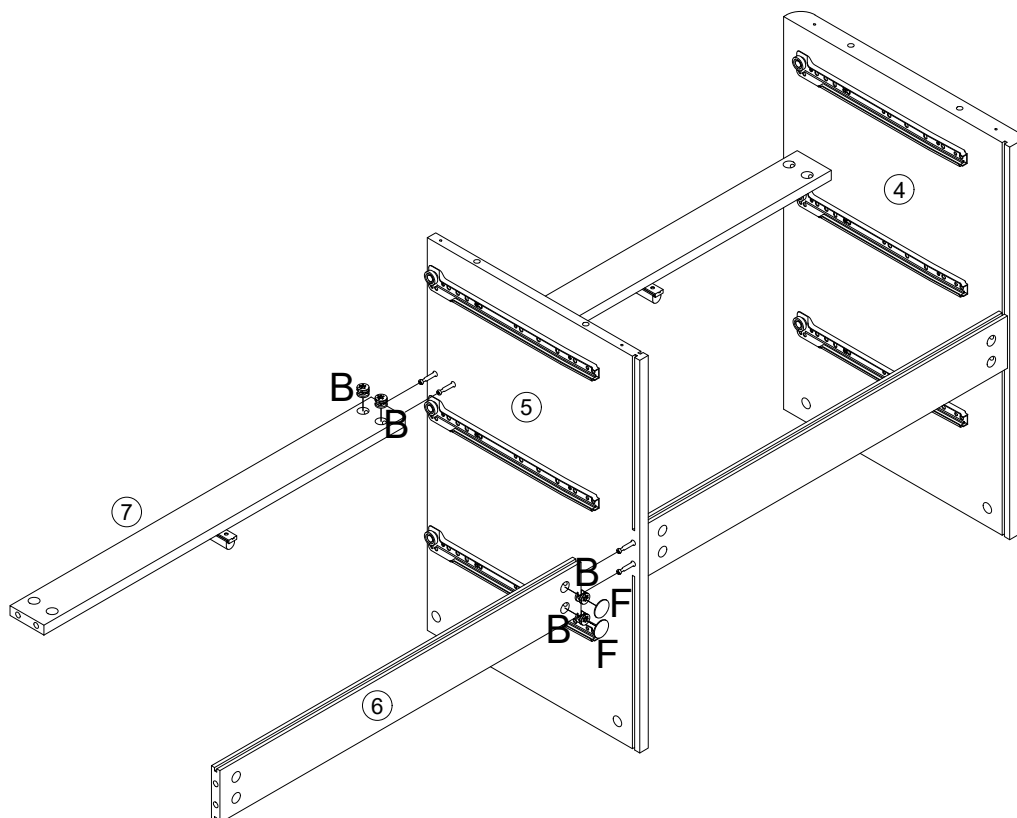
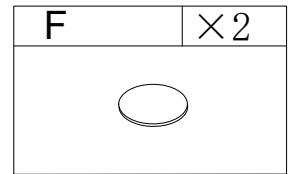
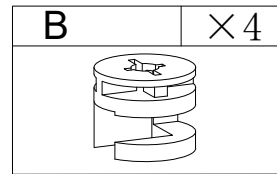


Step 5

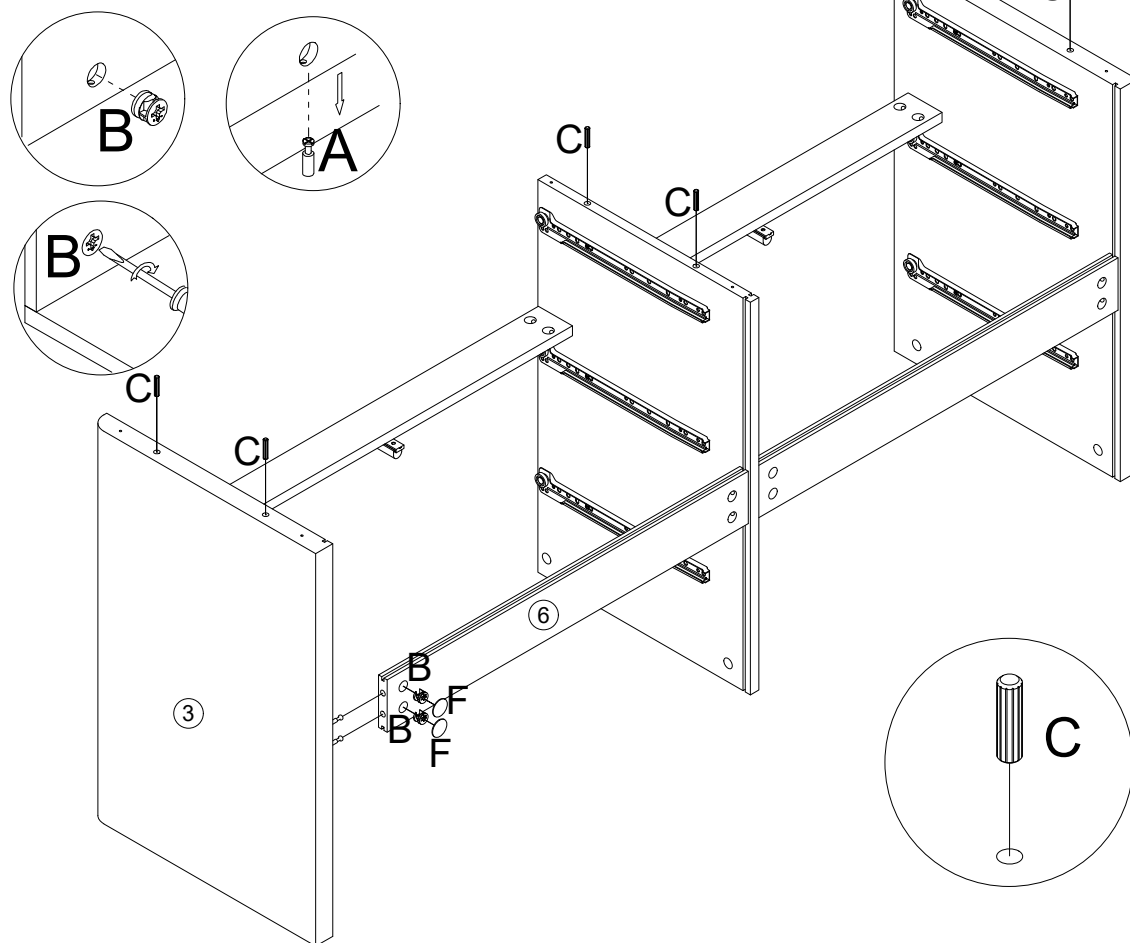


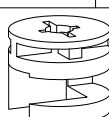

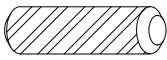
When moving, both sides are lifted at the same time to prevent sudden damage to the plate in the middle.

Step 6

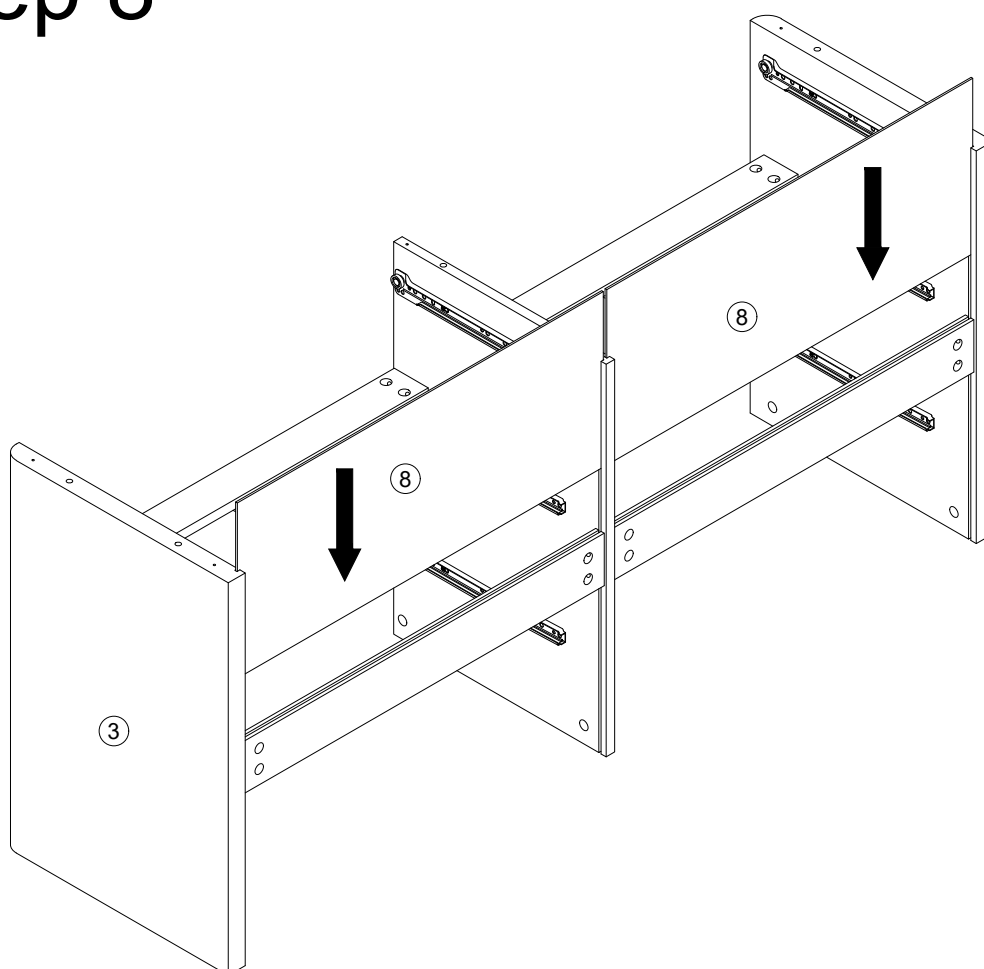


Step 7




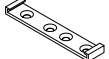
B	×4
	
F	×2
	
C	×6
	

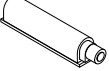
Step 8

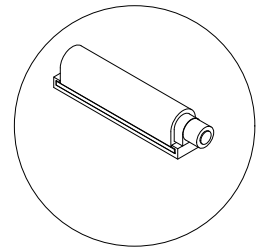
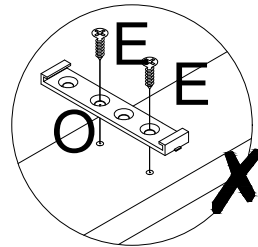
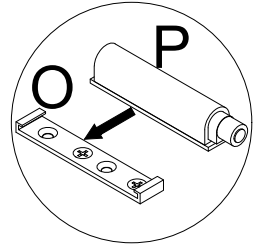
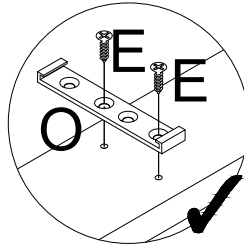
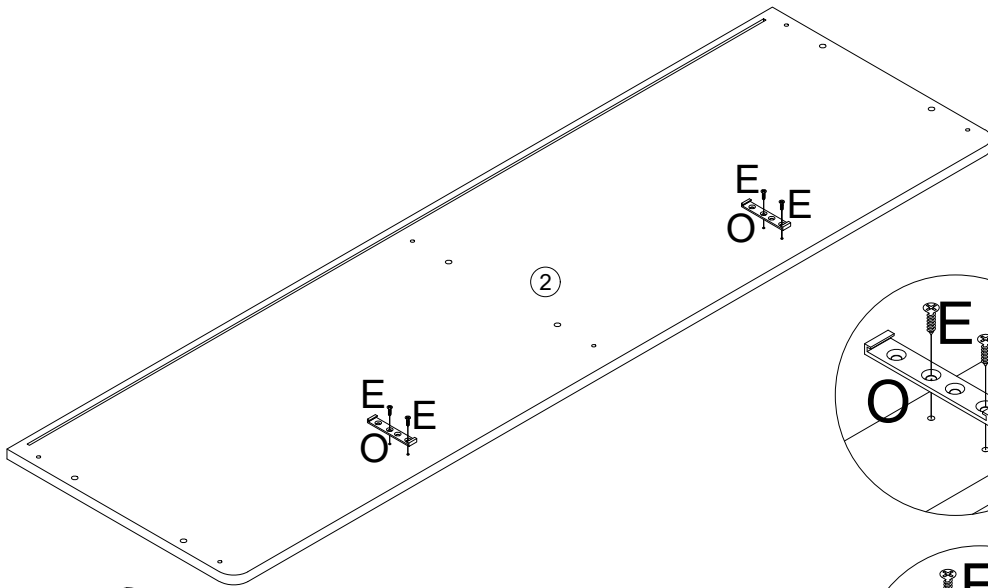


Step 9

E	×4
	

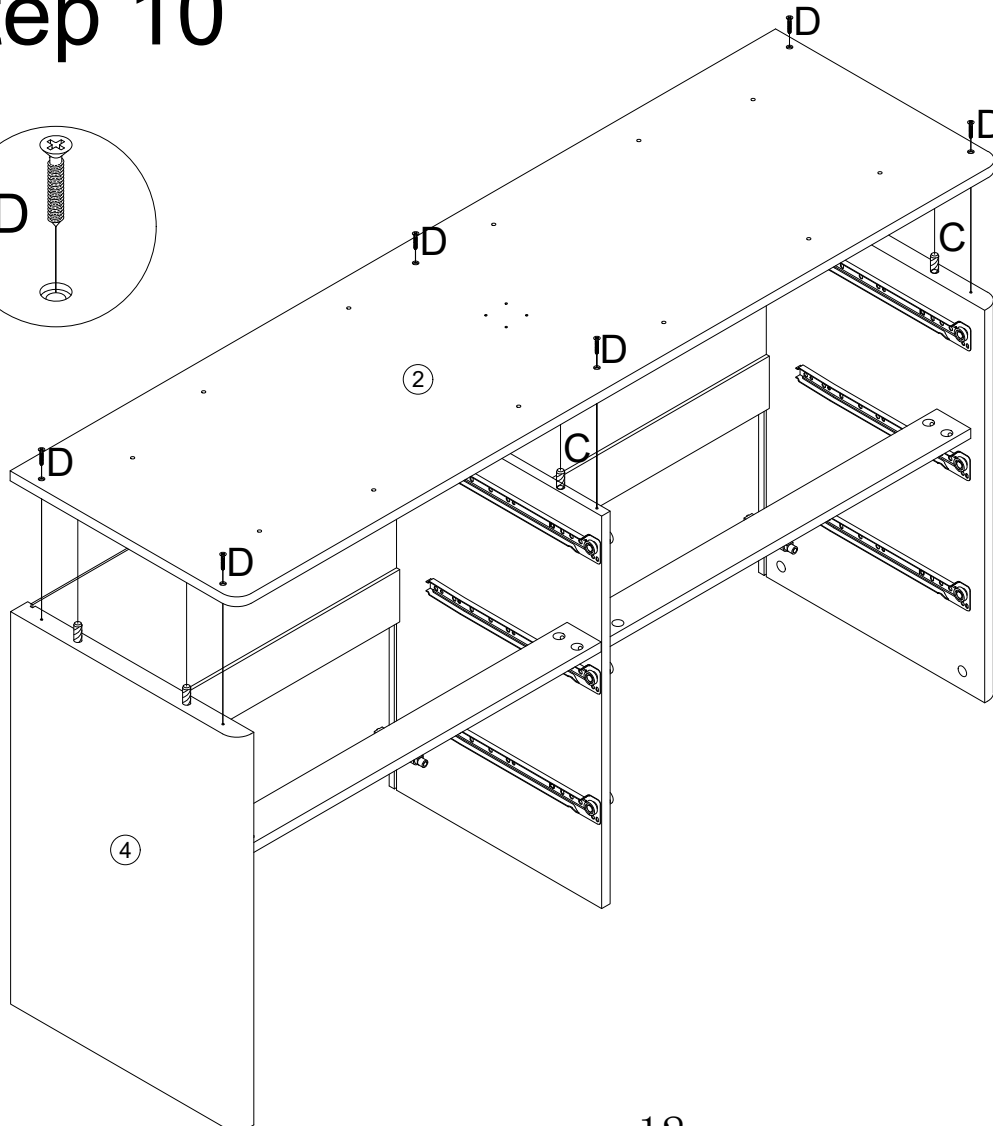
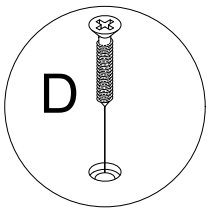
O	×2
	

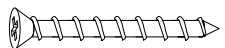
P	×2
	



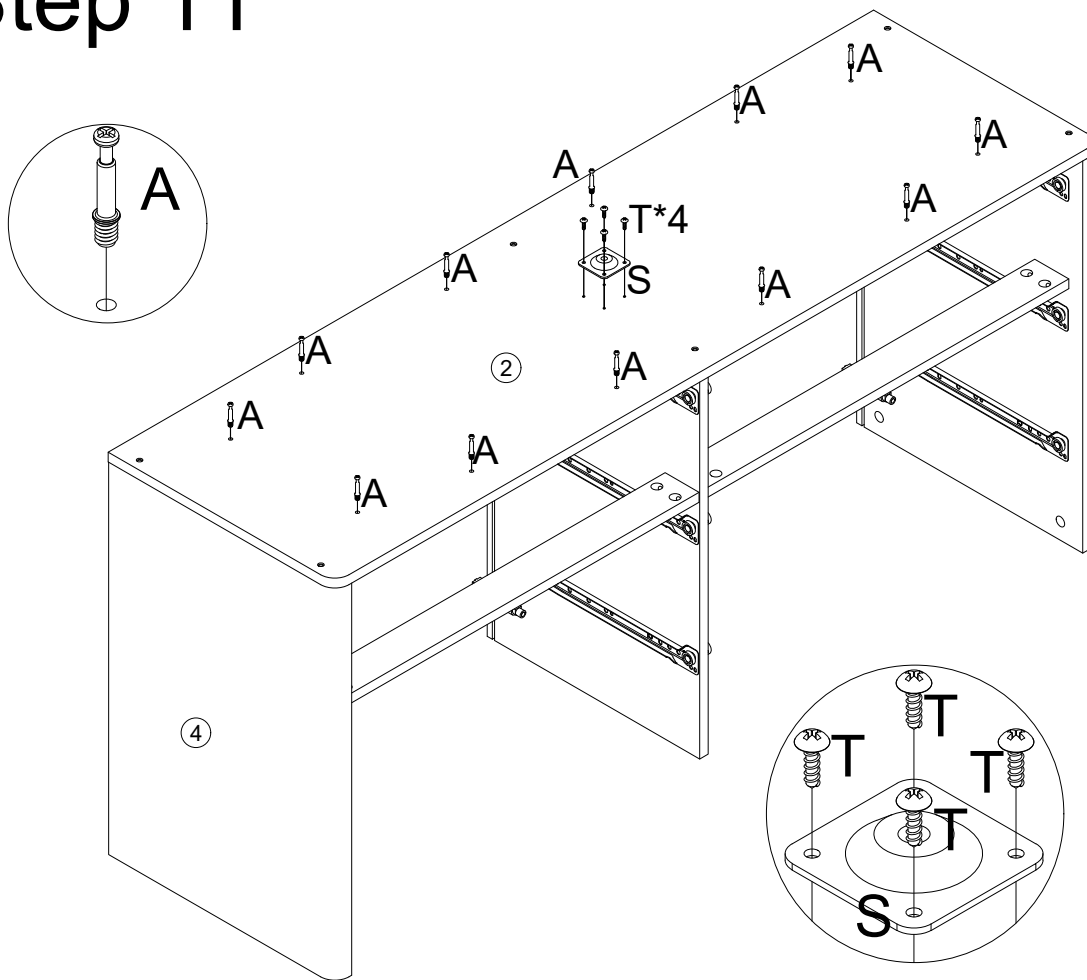
Make sure you put the O lock on the board before you can put P in.


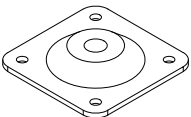

Step 10



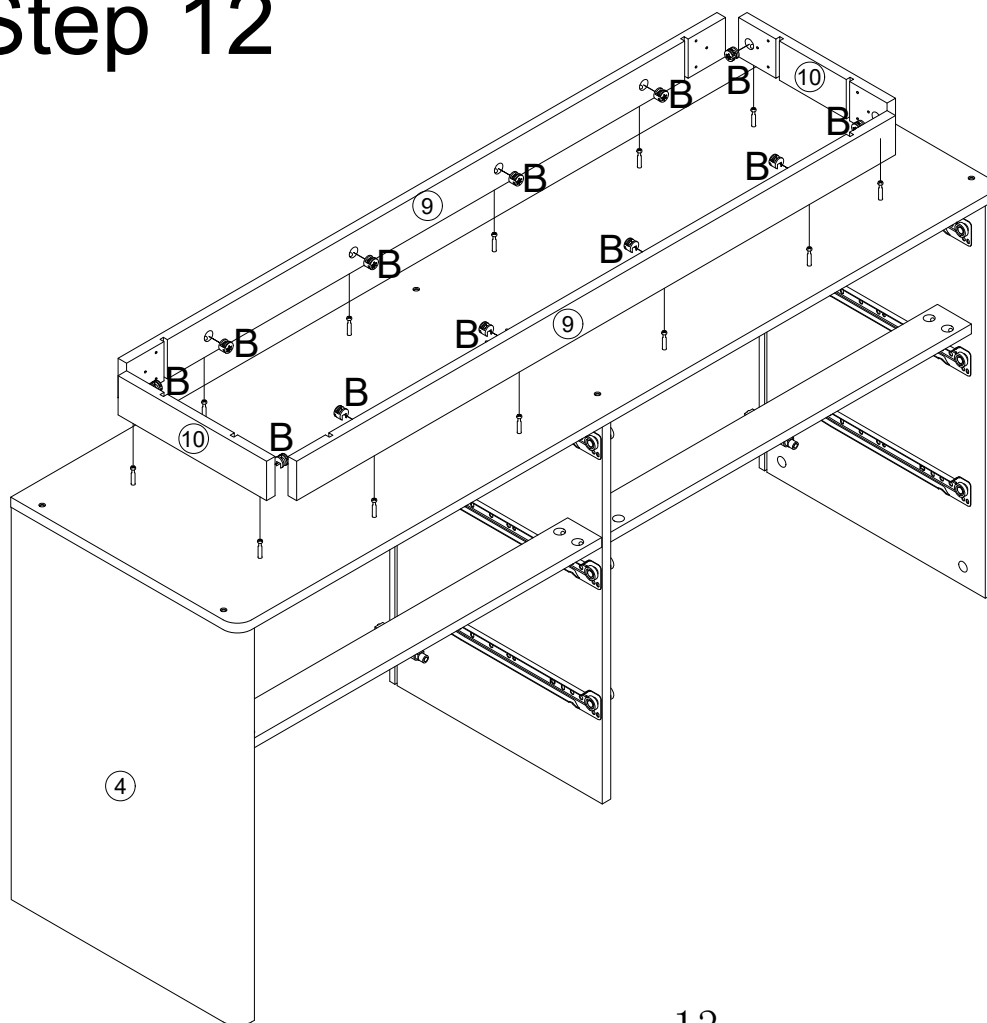
D	×6
	

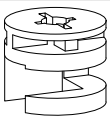
Step 11

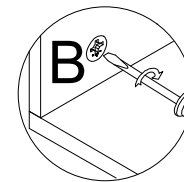
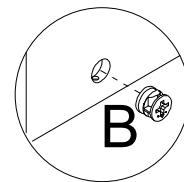
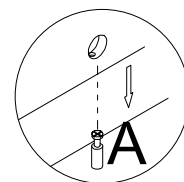


A	×12
	
S	×1
	
T	×4
	

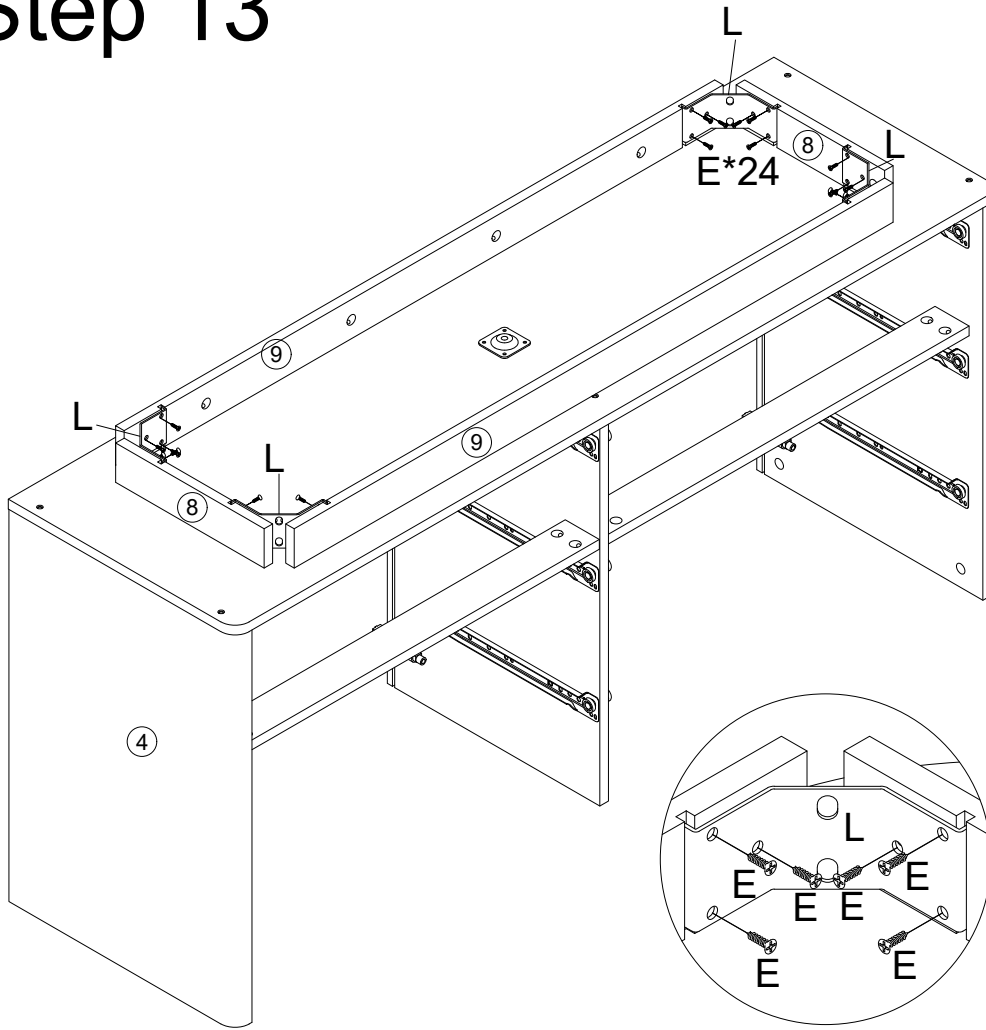
Step 12

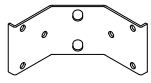
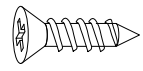


B	×12
	



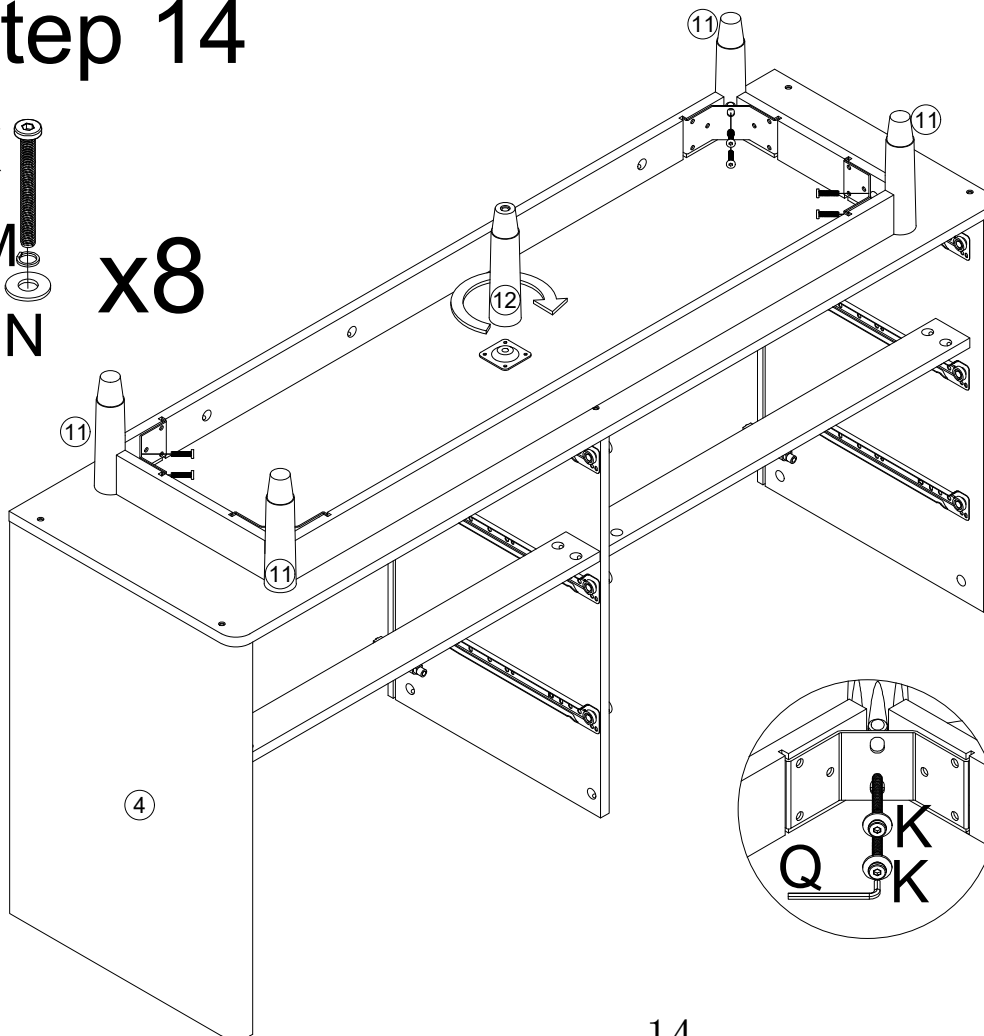
Step 13

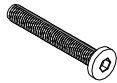

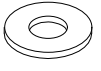



L	×4
	
E	×24
	

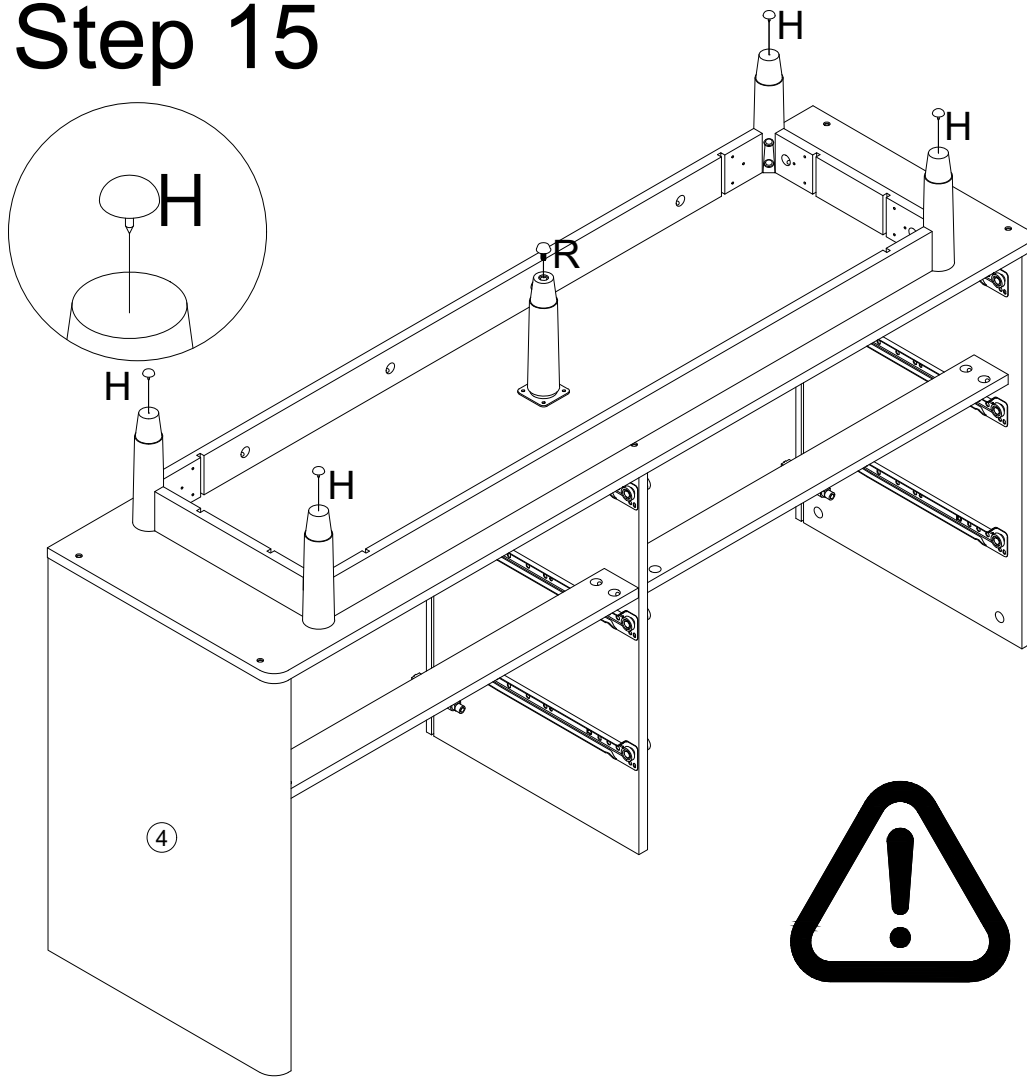
Step 14

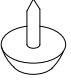
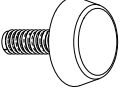
K
M
N
x8

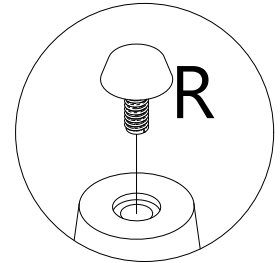


K	×8
	
M	×8
	
N	×8
	
Q	×1
	

Step 15

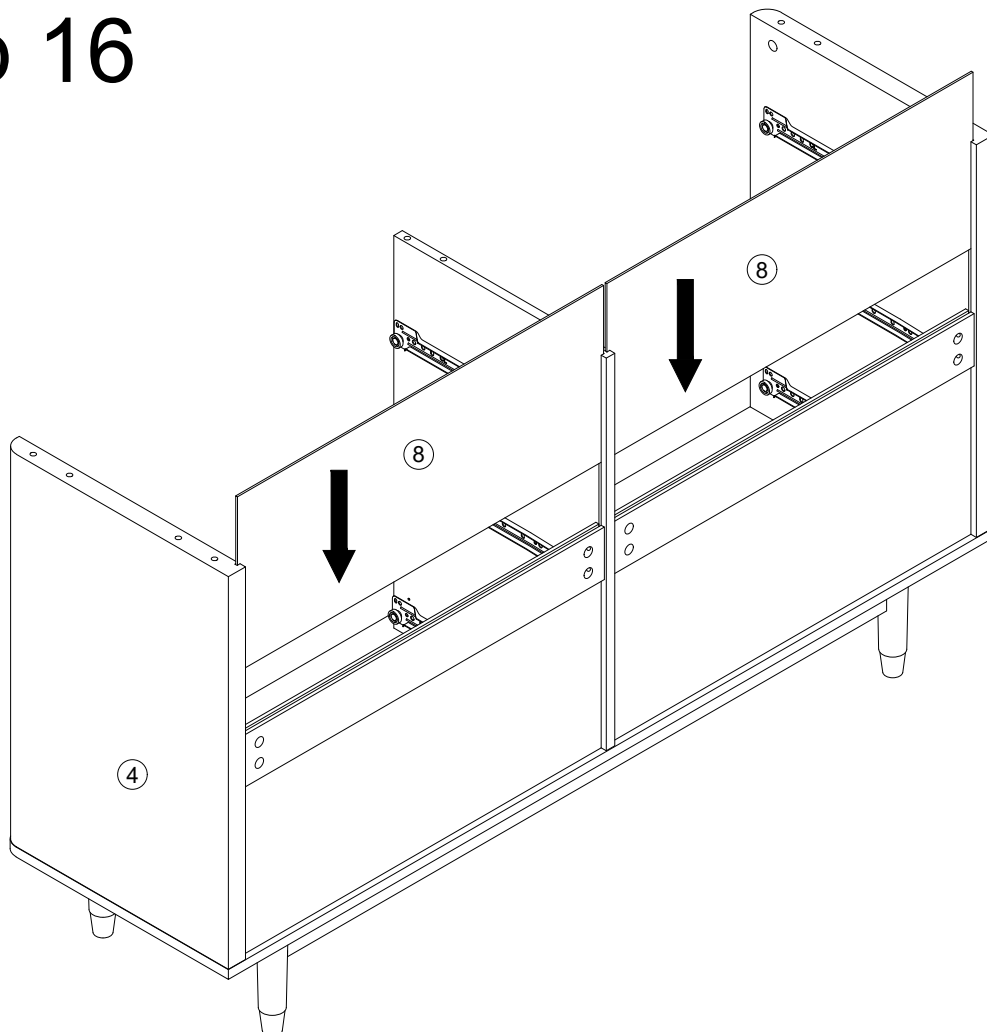


H	×4
	
R	×1
	

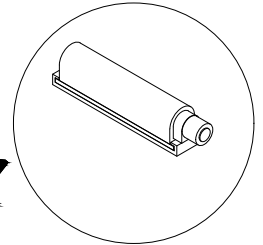
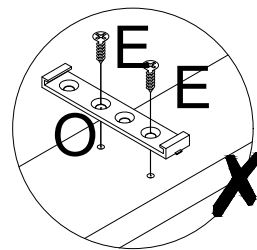
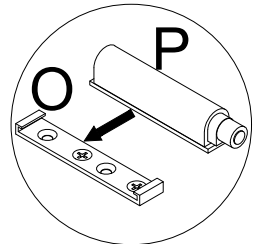
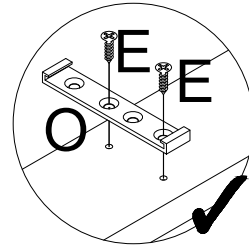
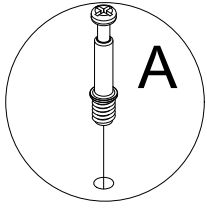
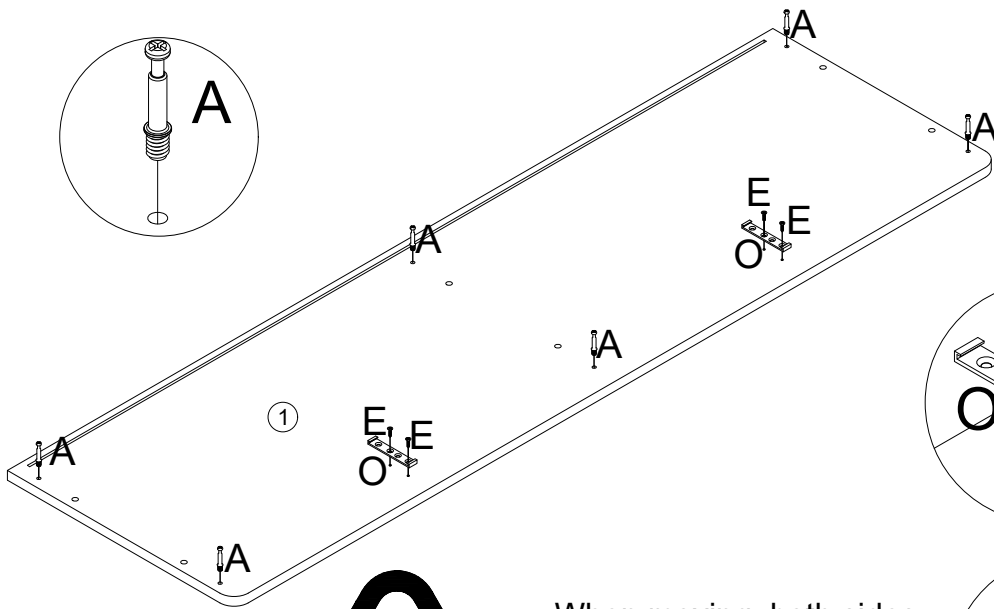
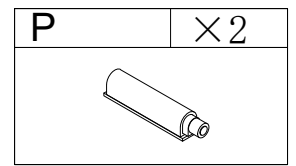
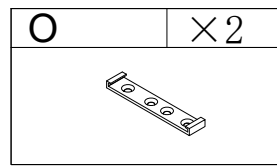
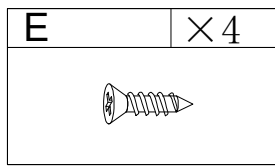
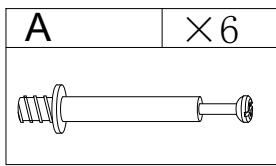


When moving, both sides are lifted at the same time to prevent sudden damage to the plate in the middle.

Step 16

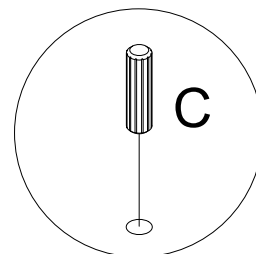
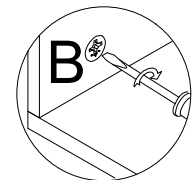
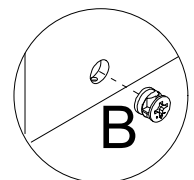
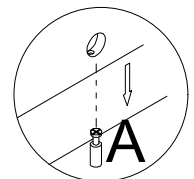
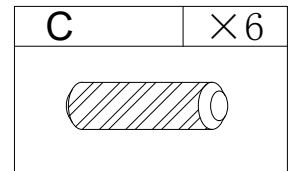
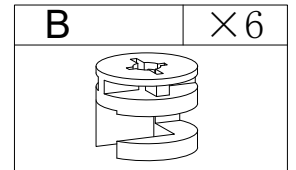
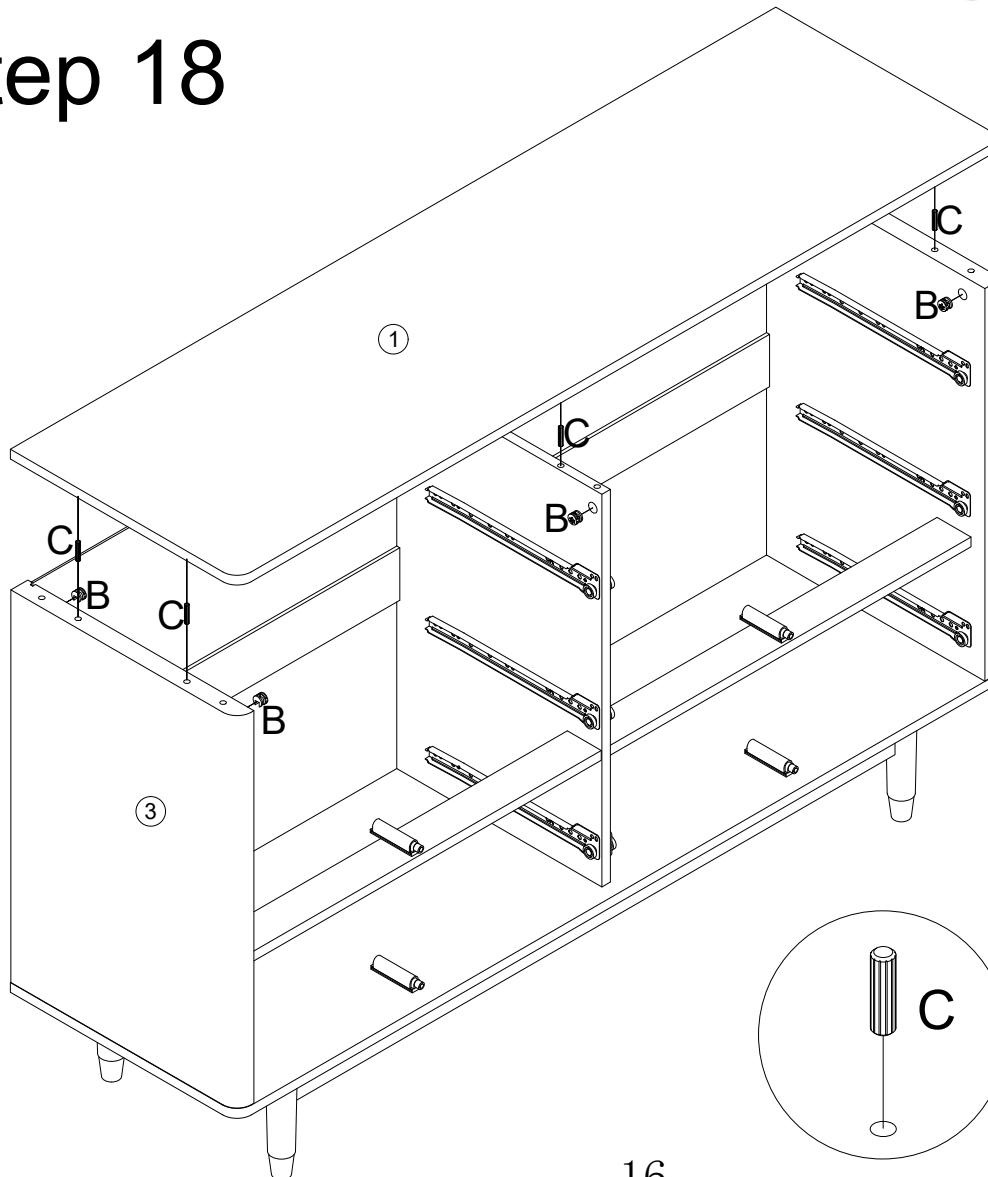


Step 17

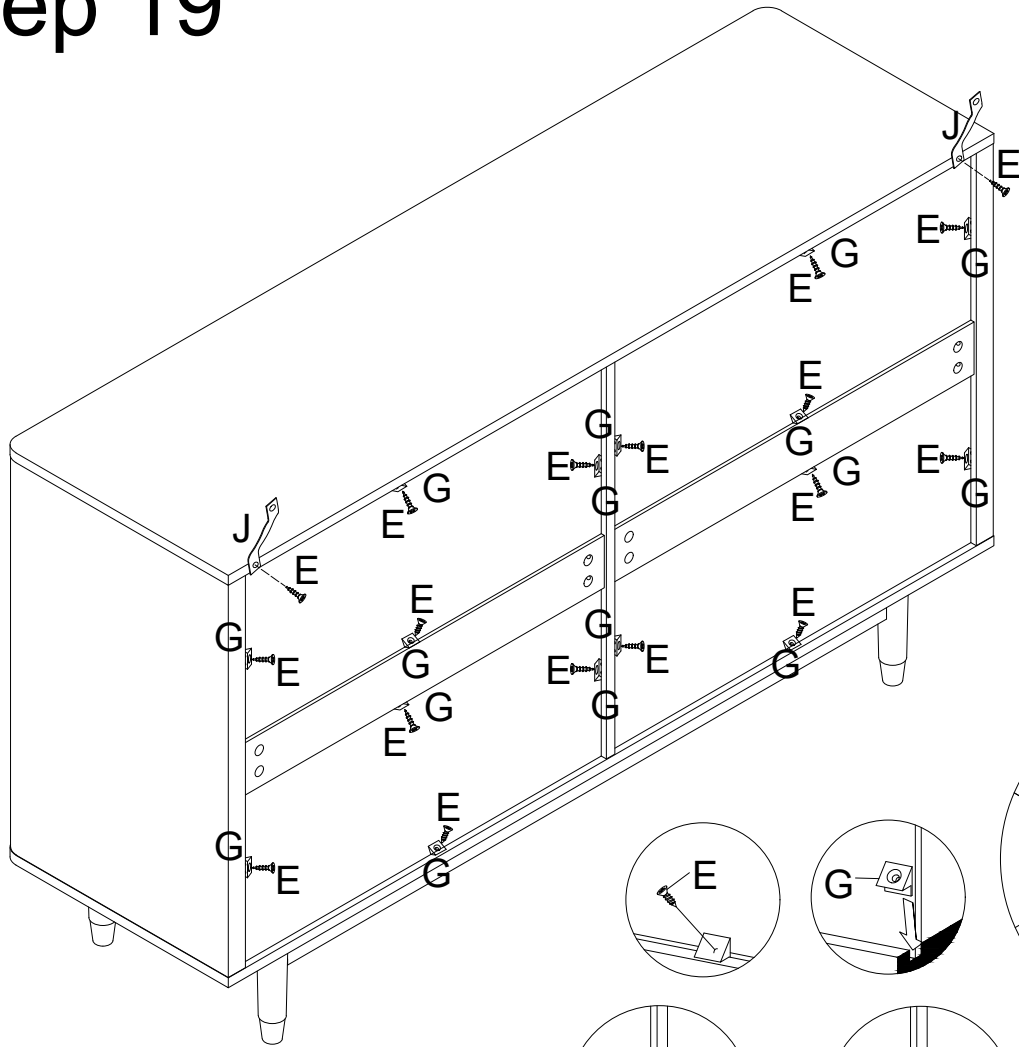



When moving, both sides are lifted at the same time to prevent sudden damage to the plate in the middle.

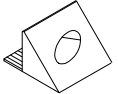
Step 18

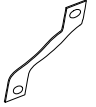


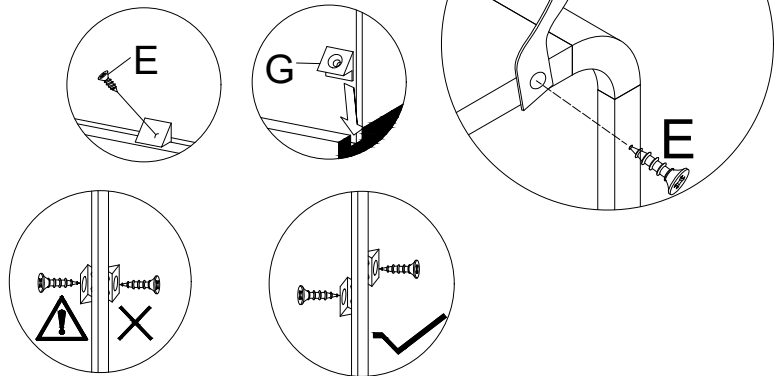
Step 19



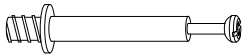
E	×18
	

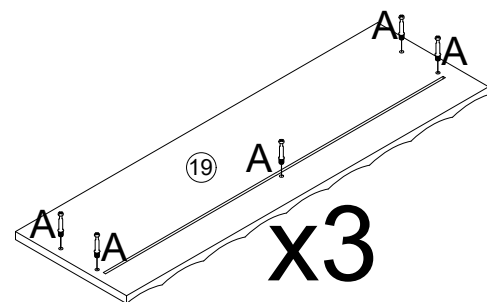
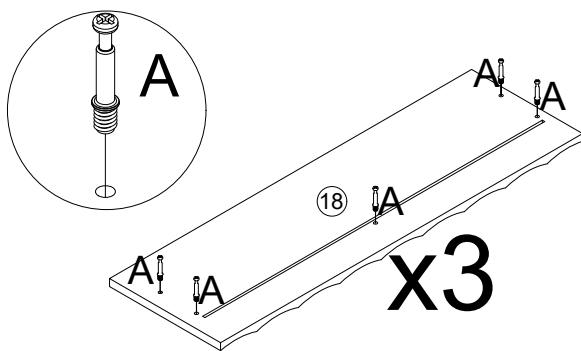
G	×16
	

J	×2
	

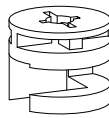



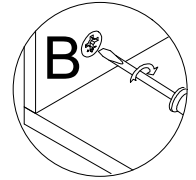
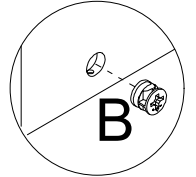
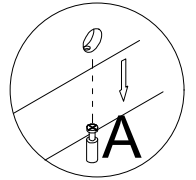
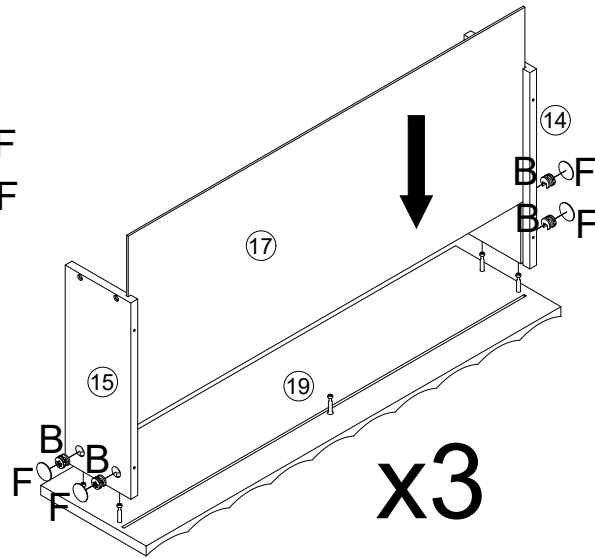
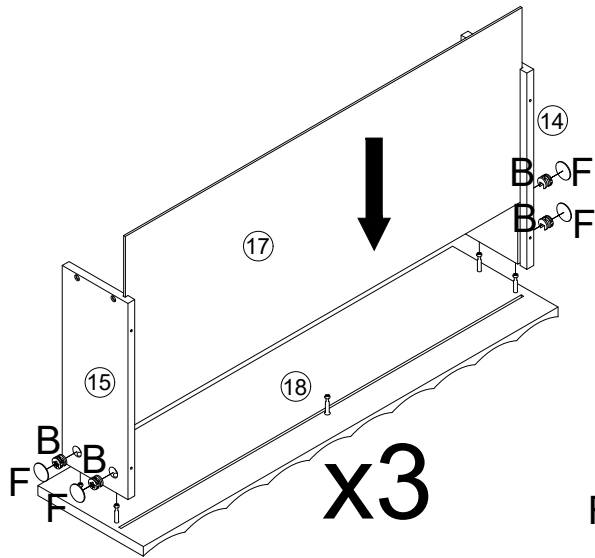
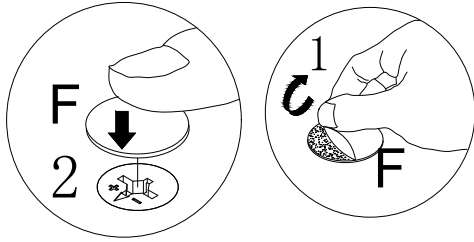
Step 20

A	×30
	

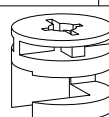


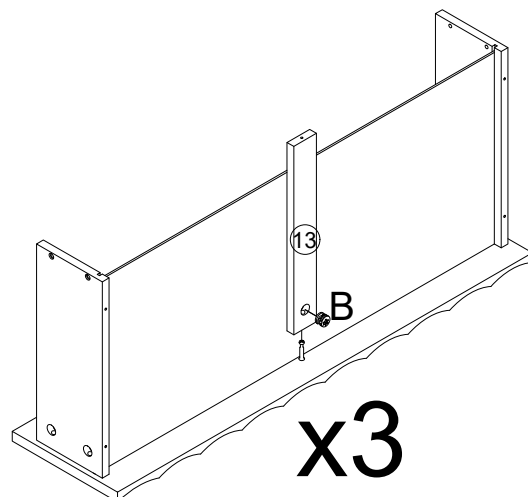
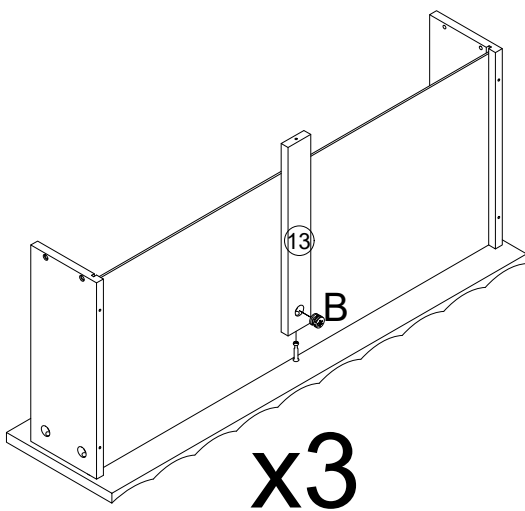
Step 21

B	×24	F	×24
			

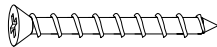


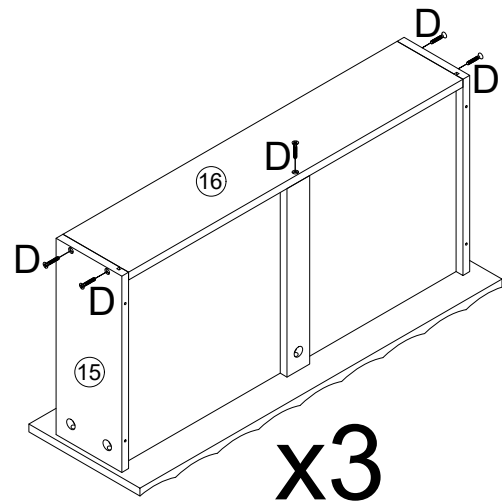
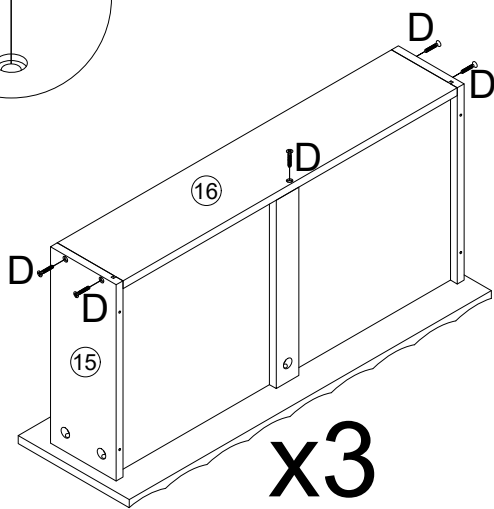
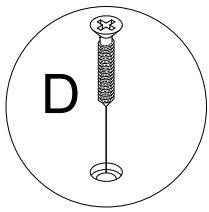
Step 22

B	×6
	

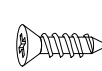


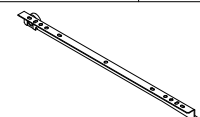
Step 23

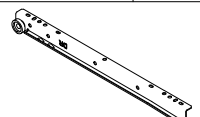
D	× 30
	

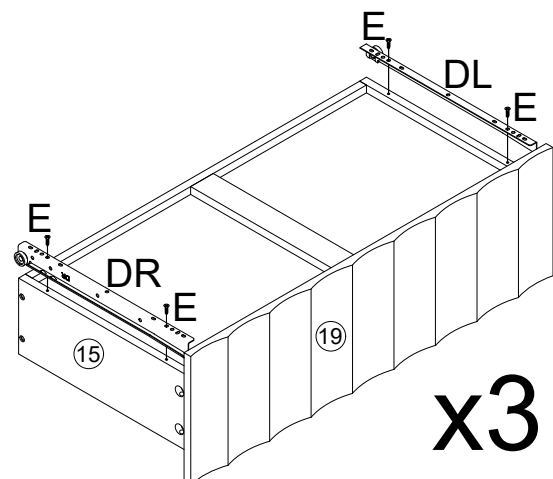
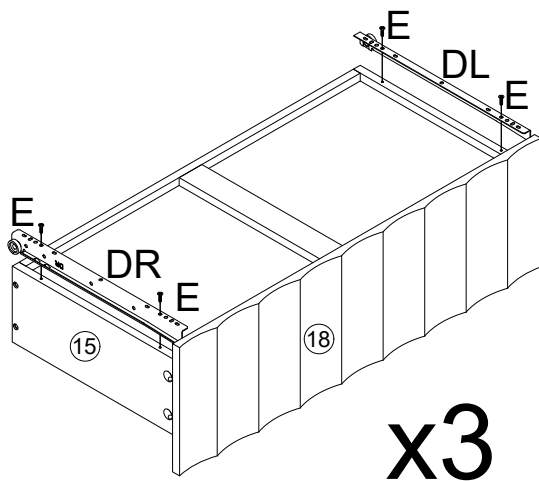
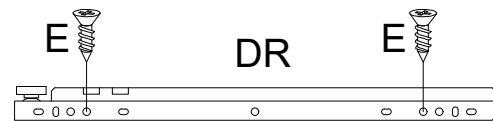


Step 24

E	× 24
	

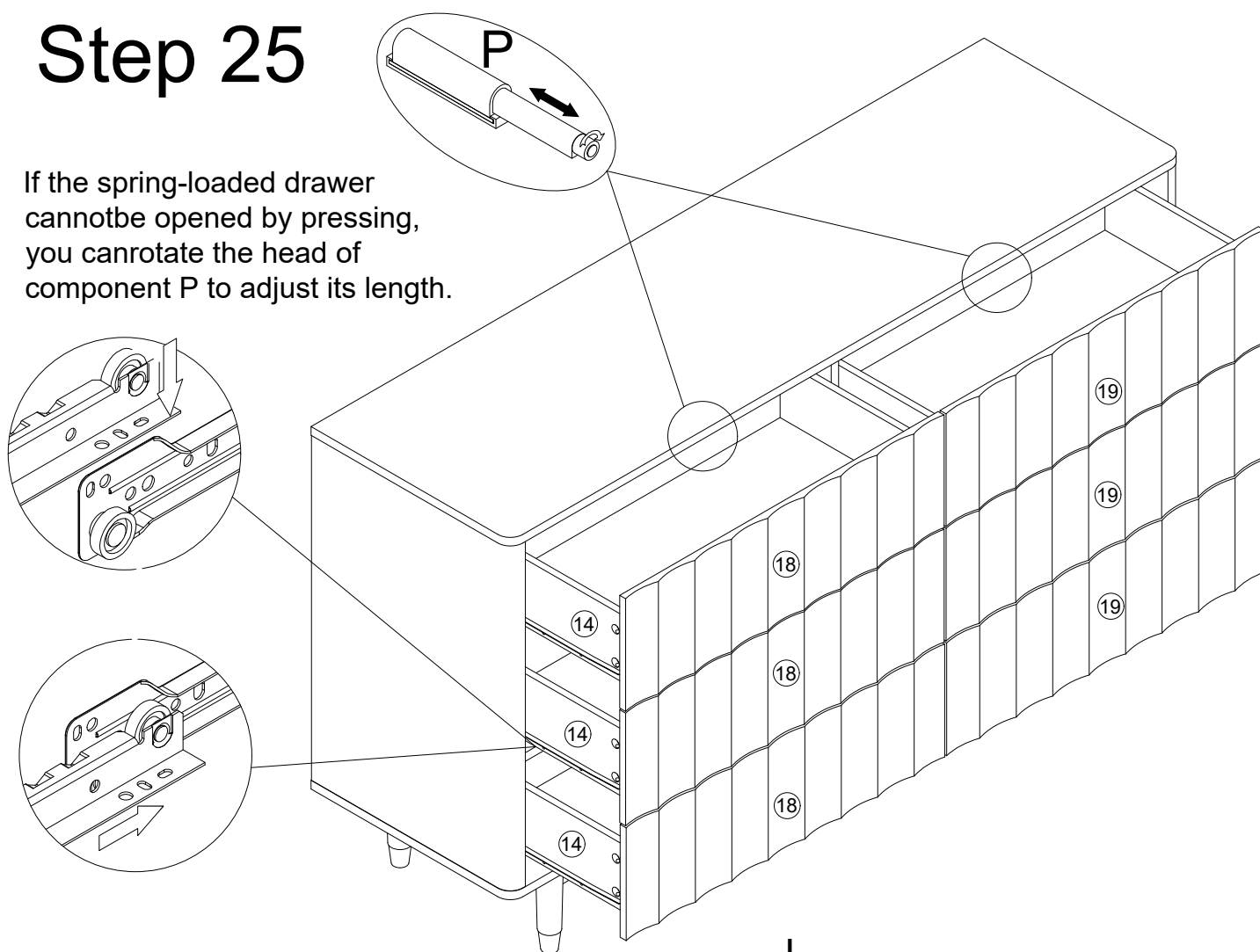
DL	× 6
	

DR	× 6
	

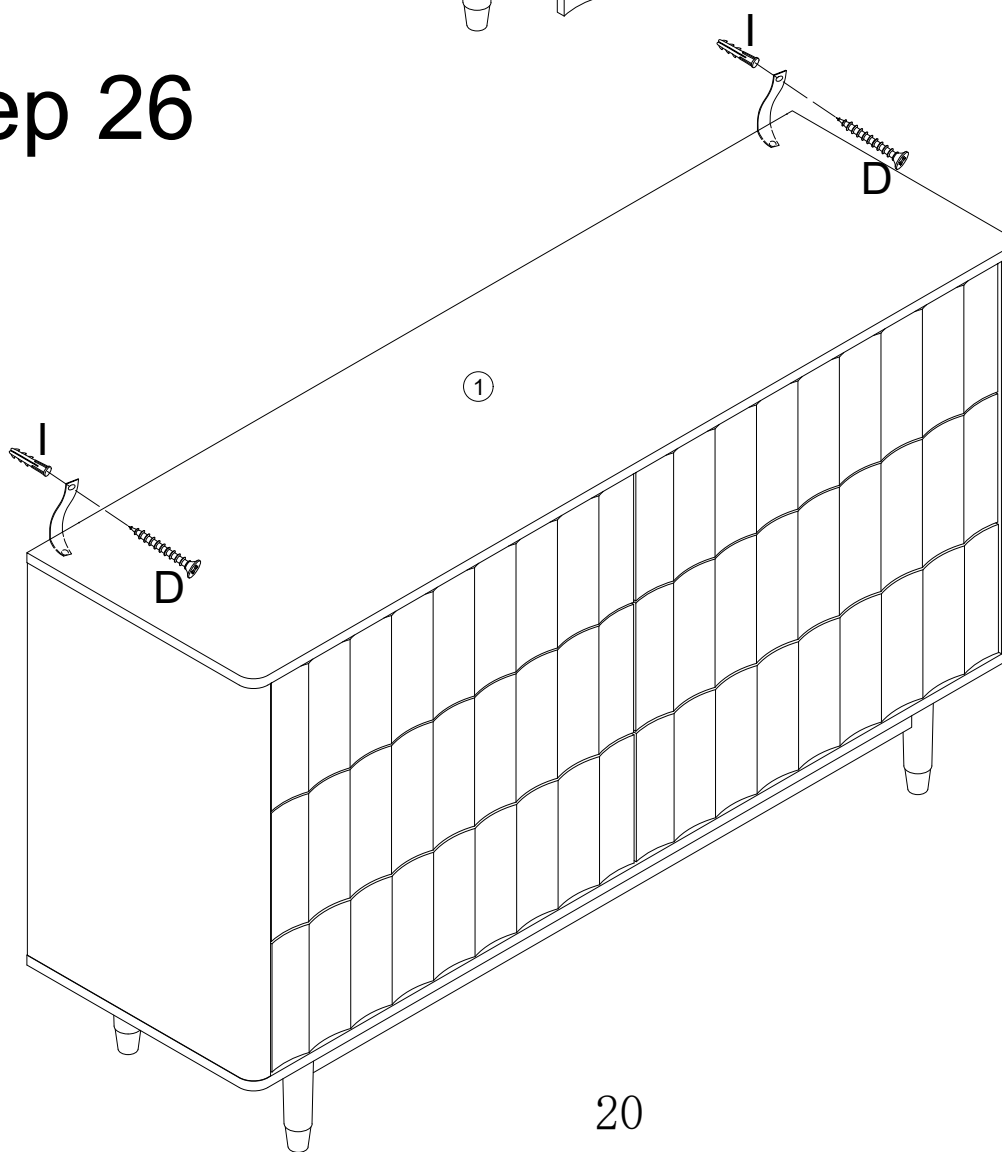


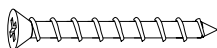
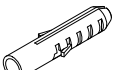
Step 25

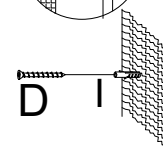
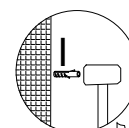
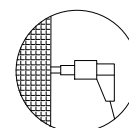
If the spring-loaded drawer cannot be opened by pressing, you can rotate the head of component P to adjust its length.



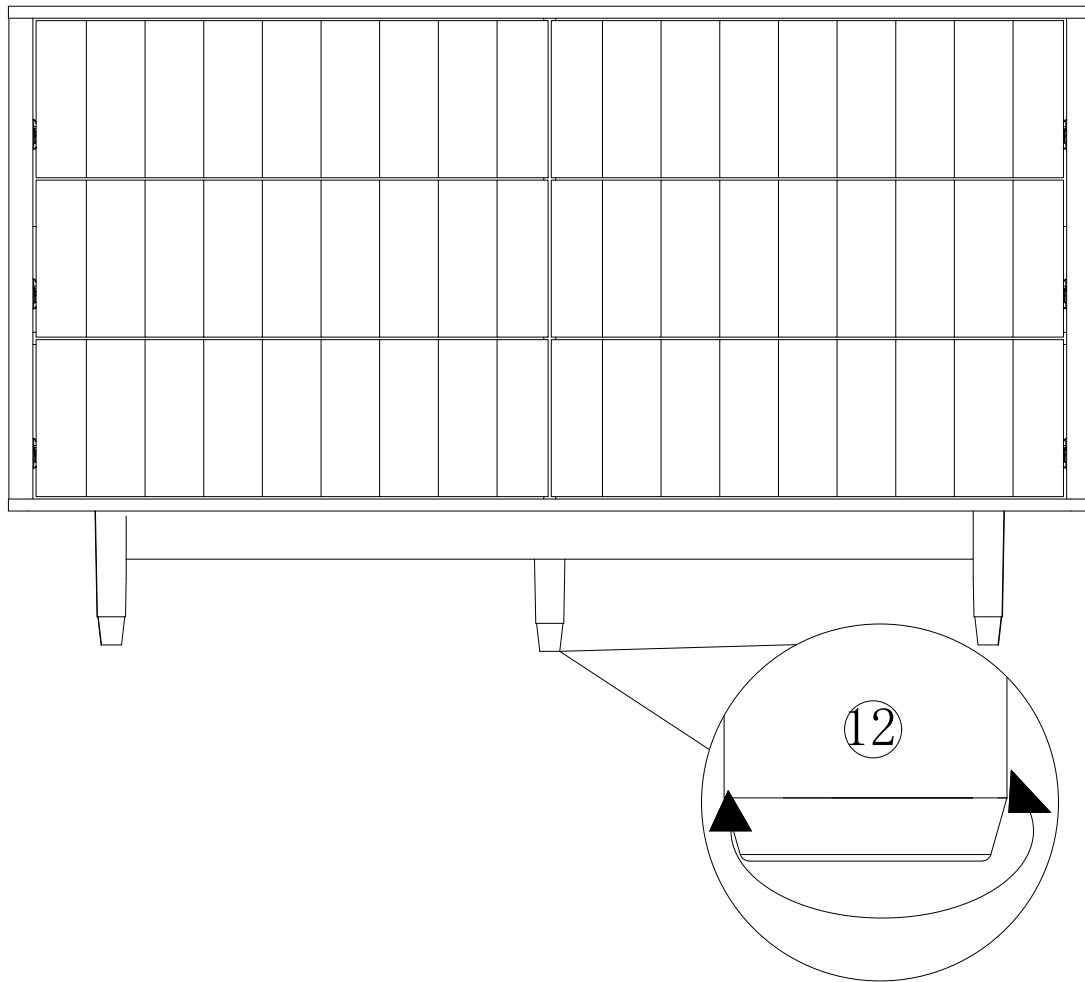
Step 26



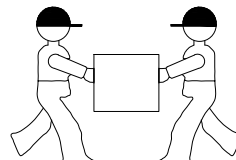
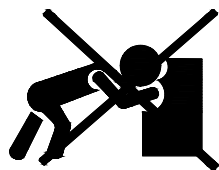
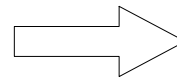
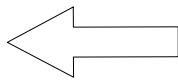
D	×2
	
I	×2
	



Step 27



If the center position of the cabinet is too high or too low due to uneven bottom plates or other reasons, adjust the adjustable foot pads on feet ①① to adjust the upper and lower height



Two people work together to move the table. Make sure you lift it off the ground. Don't push and pull.