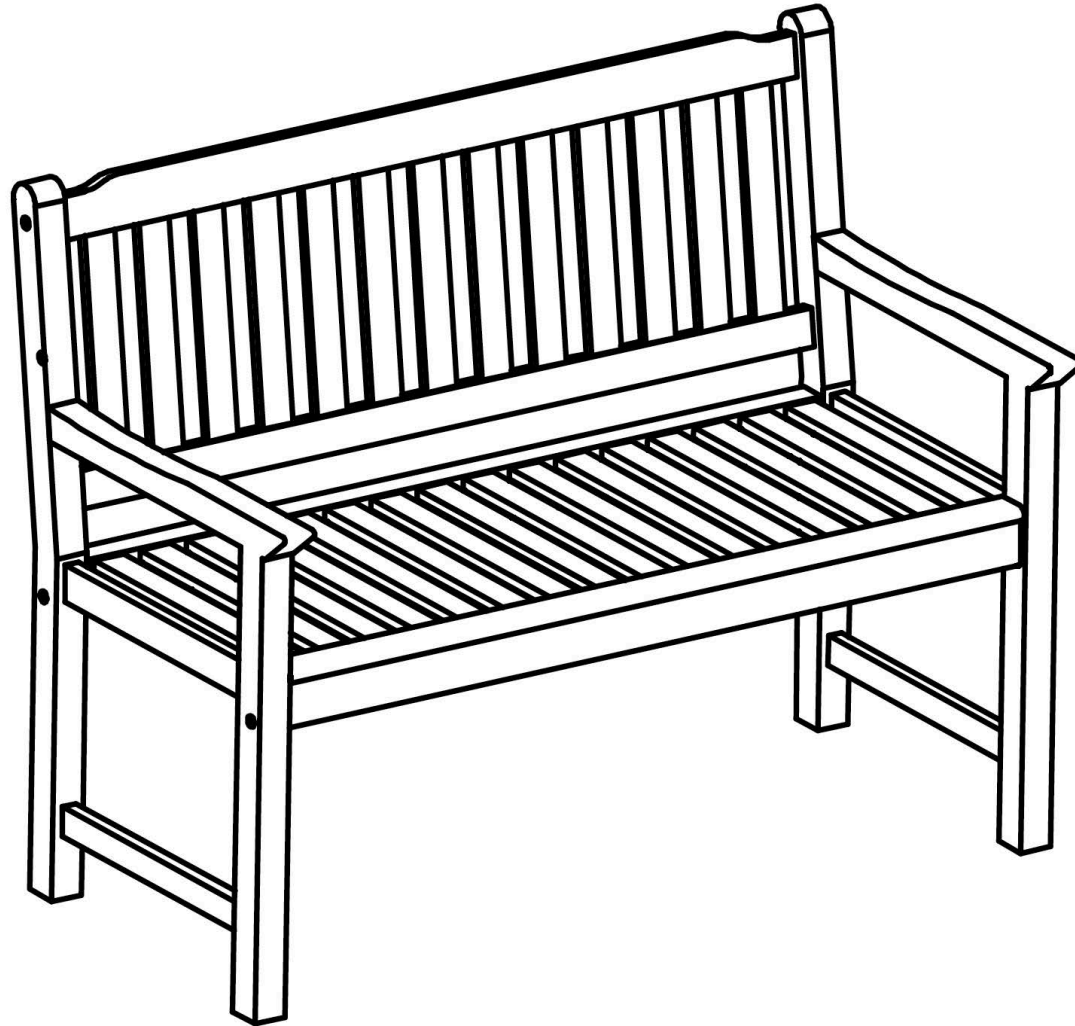
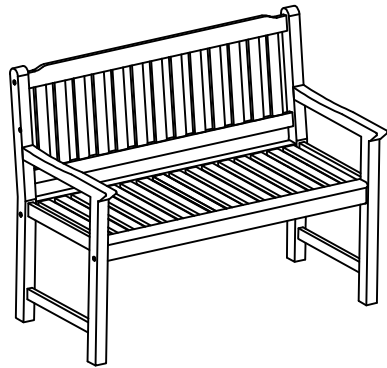


NOTE:

- Read all instructions before starting
- Do not tighten using power tools
- No additional tools required
- Do not completely tighten any bolts until the unit is fully assembled and sitting on a level surface

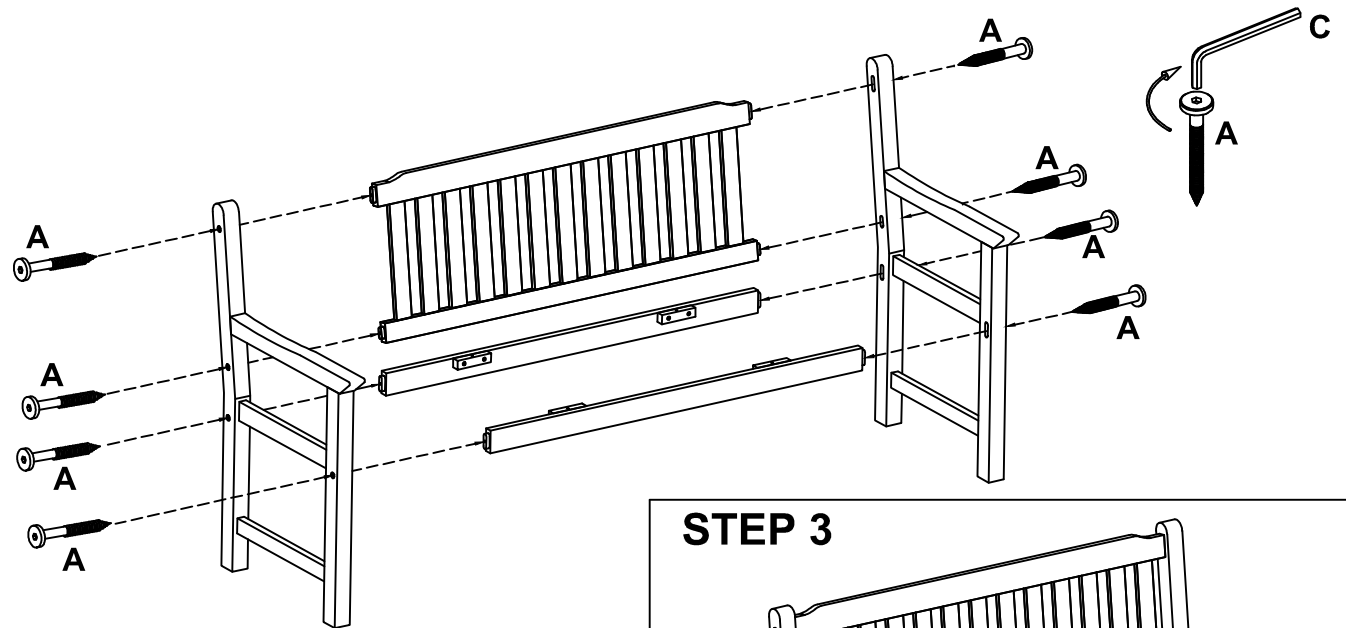





DESCRIPTION



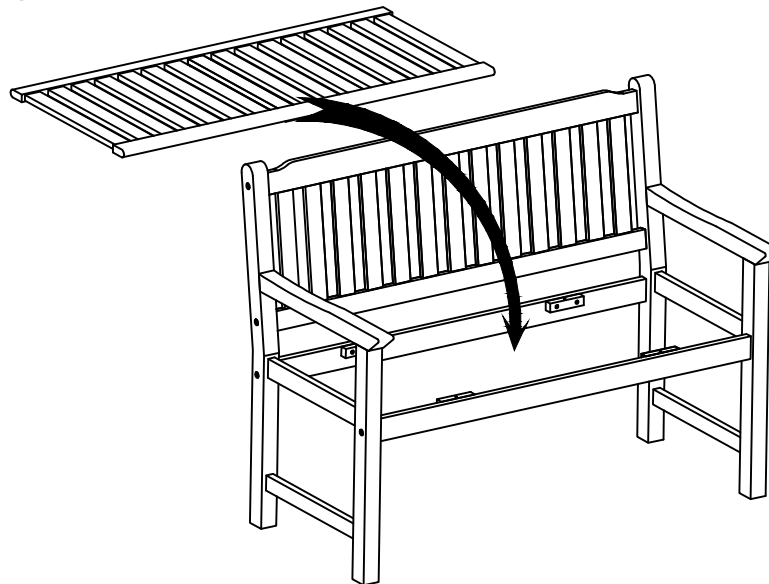
ASSEMBLY INSTRUCTION

STEP 1

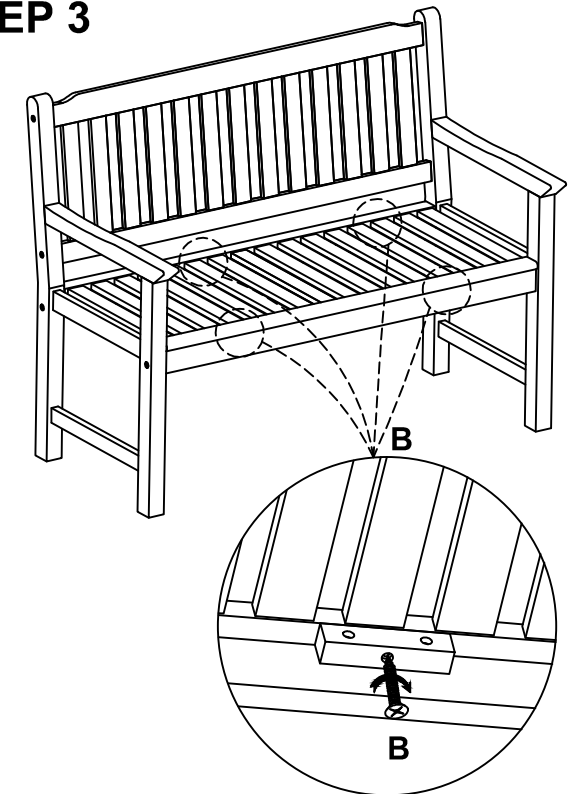


NO.	HARDWARE LIST	Q.TY
A	 7x90x15	8 PCS
B	 4x30x8	4 PCS
C		2 PCS

STEP 2



STEP 3



Thank you for purchasing this product. With some simple care and maintenance, you'll be able to enjoy this product for many years!

This product has been treated with an oil based sealer. If used outdoors, we recommend re-sealing this product with an oil-based water-proof sealer each season to increase its life expectancy and maintain its original look. Cover this product or move it indoors during harsh weather to prevent excessive weathering.

Warnings!!

- Use care when assembling or moving this product to avoid personal injury
- Always check for cracks or damage before using. If any are detected DO NOT USE
- Never stand or sit on bench
- Always fold bench away carefully to avoid any possibly of pinching
- Maximum wt is 400 LBS. Never exceed that weight
- Do not use chair when under the influence of alcohol or drugs
- Seller is not responsible for any injuries that may occur when using this bench

Warranty:

- Limited one year Warranty due to manufactures defects
- For technical questions or troubleshooting, please email [**service@patiowise.com**](mailto:service@patiowise.com)