



To reduce the risk of death, personal injury or property, damage from fire, electric shock, falling parts, cuts/abrasions, and other hazards read all warnings and instructions included with and on the fixture box and all fixture labels. Commercial installation, service and maintenance of luminaires should be performed by a qualified licensed electrician.

DO NOT INSTALL DAMAGED PRODUCT

WARNING: RISK OF ELECTRIC SHOCK

- Turn off the electrical power at fuse or circuit breaker box before wiring fixture to power supply.
- Turn off the power when you perform any maintenance.
- Verify that supply voltage is correct by comparing it with the luminaire label information.
- Make all electrical and grounded connections in accordance with the National Electric Code and any applicable local code requirements.
- All wiring connections should be capped with UL approved wire connectors.

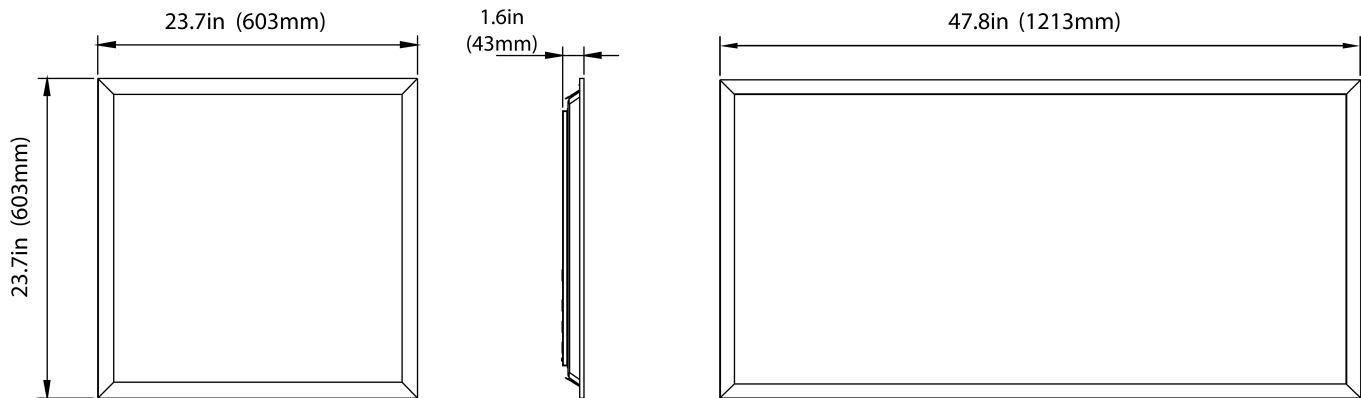
CAUTION: RISK OF INJURY

- Wear gloves and safety glasses at all times when removing luminaire from cartons, installing, servicing or performing maintenance.
- Avoid direct eye exposure to the light source while it is on.
- Account for small parts and destroy packaging material, as these may be hazardous to children.
- Ensure fixtures are properly secured to T-bar grid and/or ceiling using wire or aircraft cable capable of supporting 100lbs minimum.

CAUTION: RISK OF FIRE

- Keep combustible and other materials that can burn away from luminaire and lamp/lens.
- MIN 90°C SUPPLY CONDUCTORS

Dimensions



Specifications and dimensions subject to change without notice.