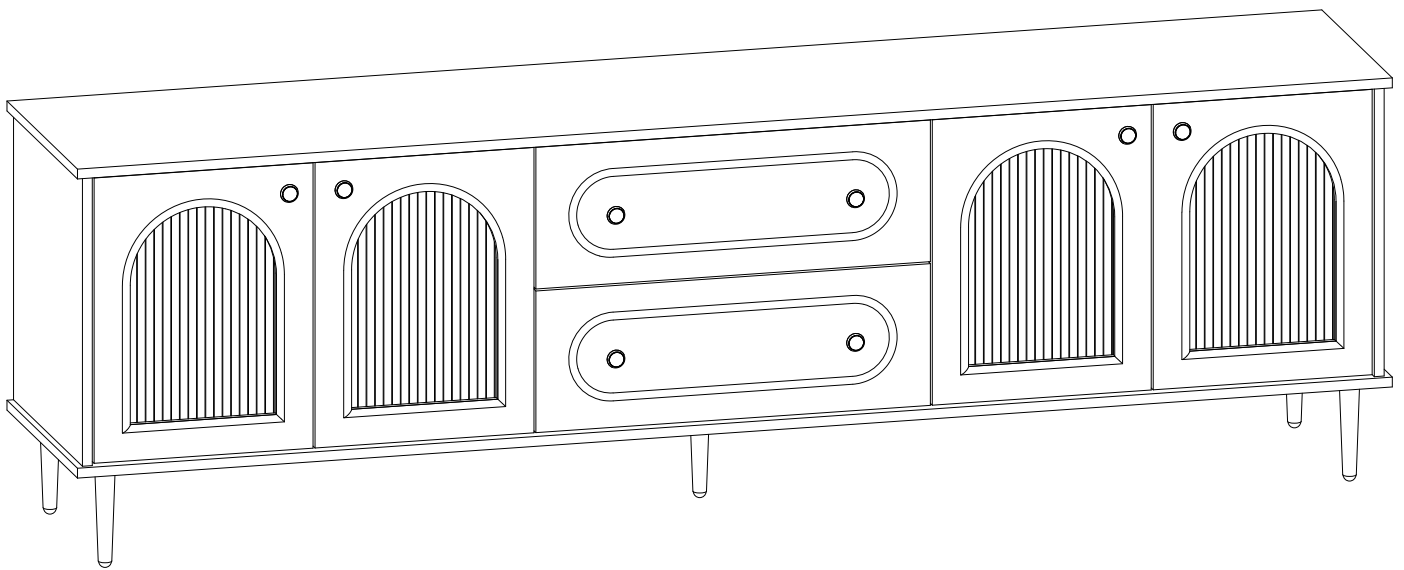


TV STAND

Assembly Instructions - Please keep for future reference.



DIMENSIONS

width - 78.74inch

Depth - 15.75inch

Height - 24.41inch

Important - Please read these instructions fully before starting assembly.

Thank you for choosing *our products*.

1. Return Policy



DO NOT RETURN TO THE STORE! Skip the process of returning your product and contact us directly for a replacement

If you find that parts of your order are missing or damaged, we will gladly ship any needed replacement parts free of charge.

If you have found any sort of defect, please contact our customer service department and let us know the details of your order and any issues encountered, we will try our best to provide you with a solution.

Recommendations Before Beginning Assembly



- Read instructions, cover to cover



- Have 2-4 adults on hand for assembly depending on product size



- Do not assemble directly on flooring or carpet



- Assemble on a clean non-marring surface (example: packing foam)























- Save all packaging until finished

3. Assembly Notice:

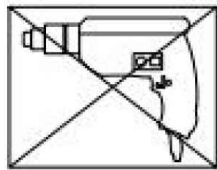
- If you encounter any problems during assembly and find that you cannot continue, rest assured we will help you solve the situation as soon as possible. Simply keep all of the parts of the product stored in a safe place and contact us immediately so we may assist you further.
- Once you have opened your package, remove all inner hardware packages and take the parts out. One by one, Place the parts out neatly in front of you, then refer to the instructions to ensure no parts are missing. If any pieces are found missing, please carefully look in the box first, as the hardware packaging might have torn making the hardware spill in the box.
- Some key parts of your product may be stored and hidden inside of other parts. Please open any zippered or hook & loop storage compartments to remove all parts. (example: cushions and legs being stored in the underside of a sofa)
- IMPORTANT: When setting up your product, DO NOT INSTALL THE SCREWS ALL THE WAY IN THE BEGINNING. Place each screw into their proper hole and use your hand to twist the screw halfway. Twist all the screws in halfway to ensure the holes will match up properly and the product is level on the ground. When everything seems fitted, then tighten the screws.
- When you have completed assembly, we suggest you have more than one person to assist you with lifting and placing the product.

Care & Maintenance

-   ● Do not put hot items directly on furniture surface
-   ● Do not clean furniture with harsh cleansers or polish
-   ● Do not place furniture under direct sunlight
-   ● Do not place furniture near heating or cooling vents
-   ● Do not write on furniture without a padded barrier to protect the surface
-   ● Do not place furniture outside. For indoor use only
-   ● Not for commercial use. For residential use only
-   ● Stains may be removed with mild soap solution and damp cloth
-   ● Children should not climb or jump on the furniture
-   ● Dust and pick-up spills using a clean, non-colored, lint-free cloth

Caution

- This product contains small components. Please ensure that they are kept away from small children.
- Do not use power tools to assemble your furniture. Power tools may strip or damage the parts.

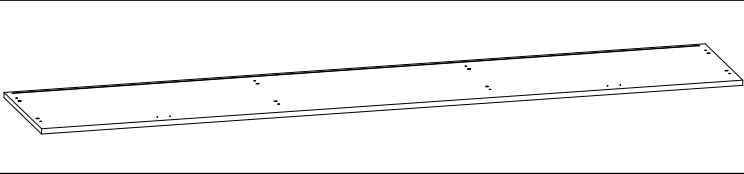
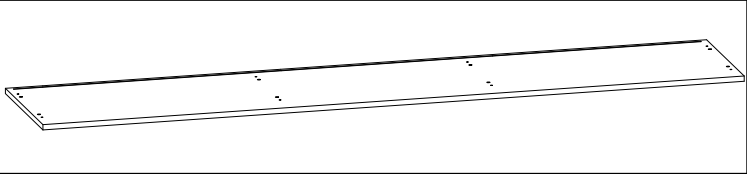
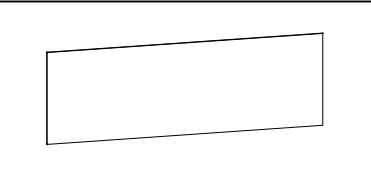
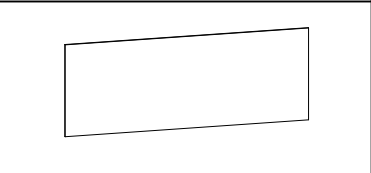

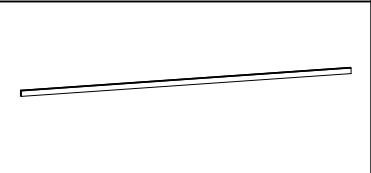
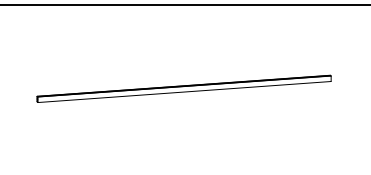


components - fittings

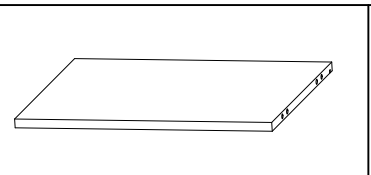
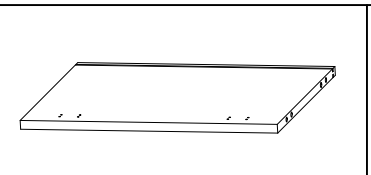
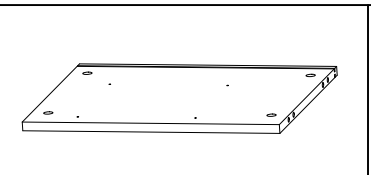
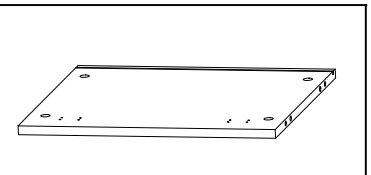
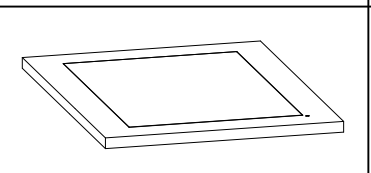
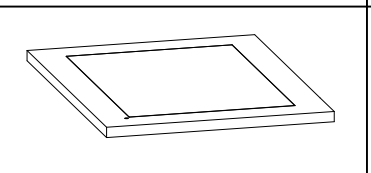
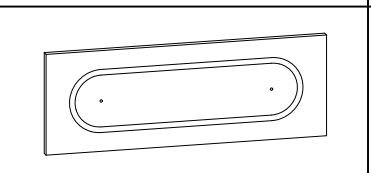
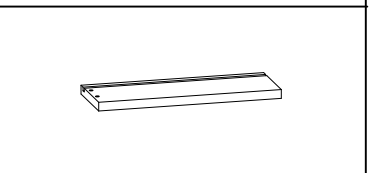
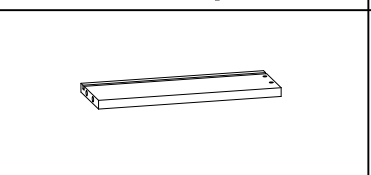
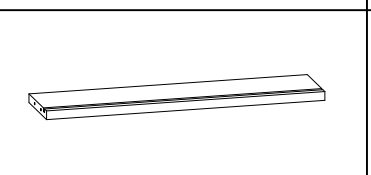
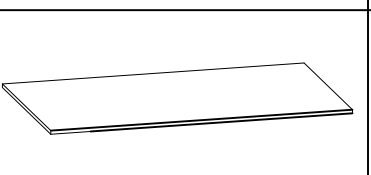
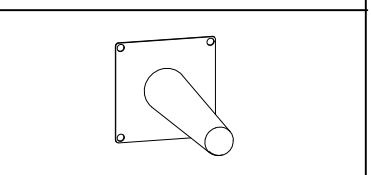
Please check you have all the panels listed below.

Note: The quantities below are the correct amount to complete the assembly. In some cases more fittings may be supplied than are required.

Box:1/2

			
① x 1pc		② x 1pc	
			
⑦ x 2pcs	⑧ x 2pcs	⑨ x 2pcs	⑩ x 2pcs
			
⑱ x 1pc			

N724P284504 - Box:2/2

			
③ x 1pc	④ x 1pc	⑤ x 1pc	⑥ x 1pc
			
⑪ x 2pcs	⑫ x 2pcs	⑬ x 2pcs	⑭ x 2pcs
			
⑮ x 2pcs	⑯ x 2pcs	⑰ x 2pcs	⑲ x 5pcs

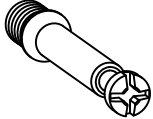




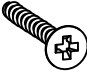



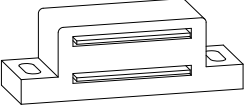
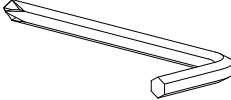



components - fittings

Please check you have all the panels listed below.

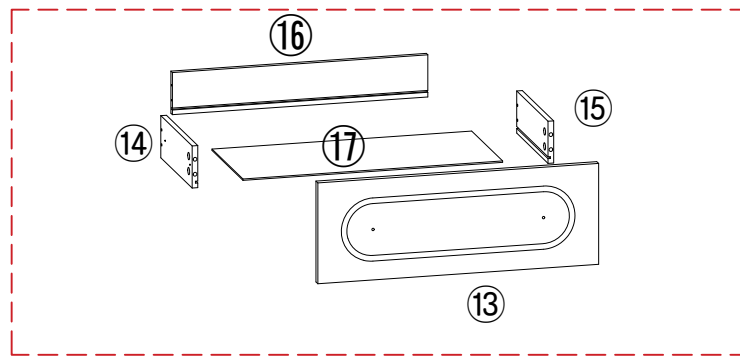
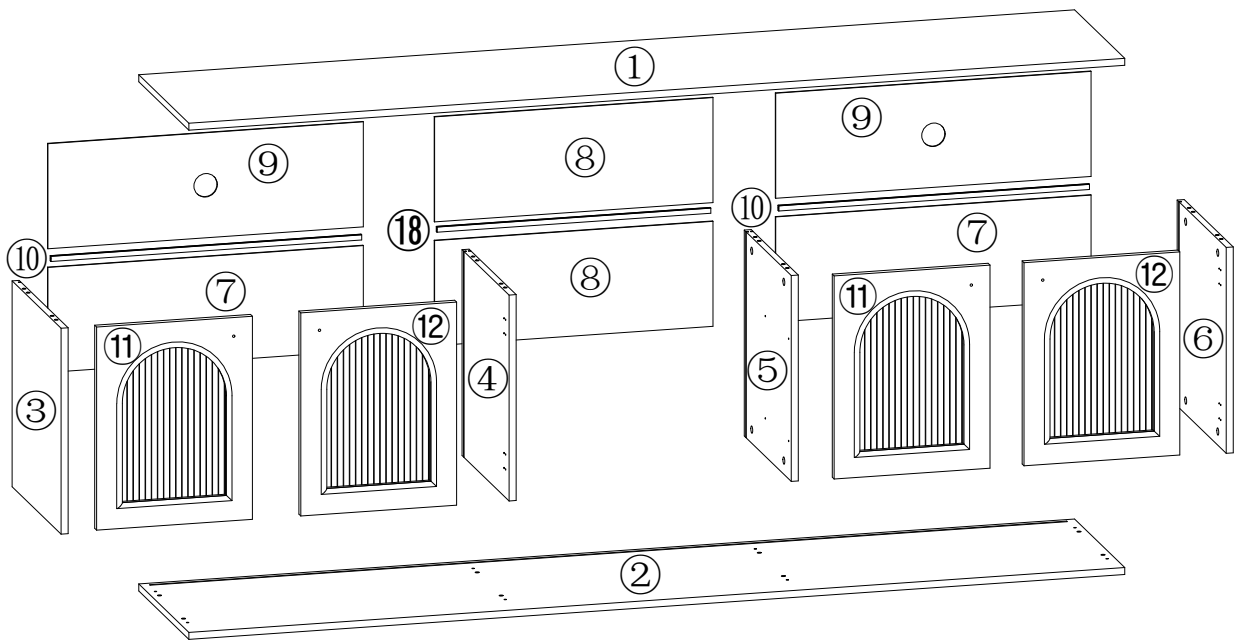
Note: The quantities below are the correct amount to complete the assembly. In some cases more fittings may be supplied than are required.

Hardware-Liste :

Box:2/2

 M6x35mm	 Φ15x9mm	 Φ8x30mm	 M3x12mm
A x 24pcs	B x 24pcs	C x 16pcs	D x 16pcs
	 M4x25mm		 M4x14mm
E x 4pcs	F x 8pcs	G x 4pcs	H x 68pcs
 M3x16mm			
I x 4pcs	J x 2pc	K x 1pc	L x 8pcs
 M4x20mm			
M x 8pcs	N x 4pcs		

Assembly Instructions

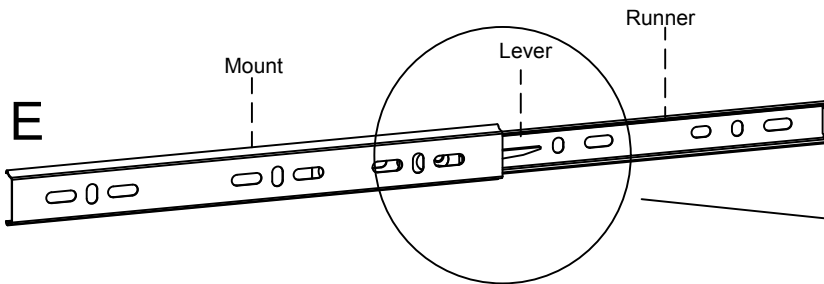


x 2pcs

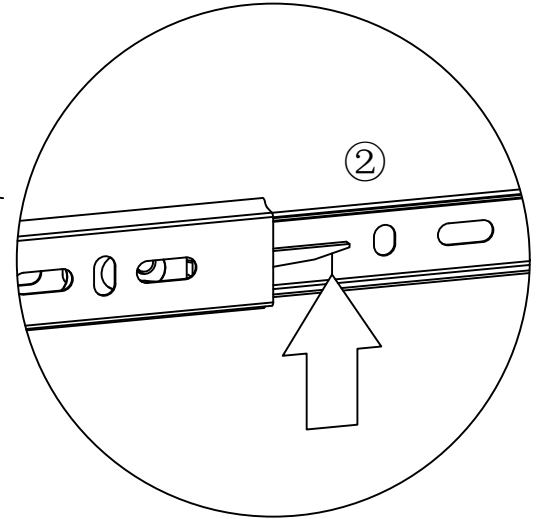
Assembly Instructions

STEP 1

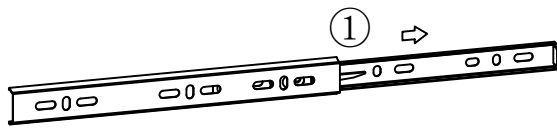
·Slides Must Be Separated Before Assembly.
After Separated, Set Aside Until Needed for Assembly.



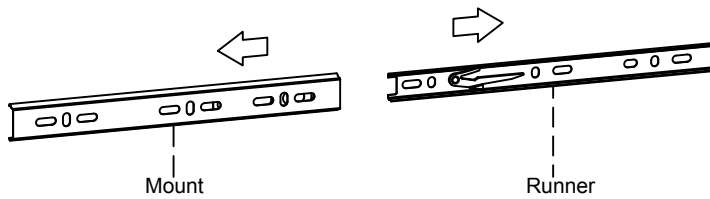
STEP 2 : Push Lever UP



STEP 1 : Extend Slide

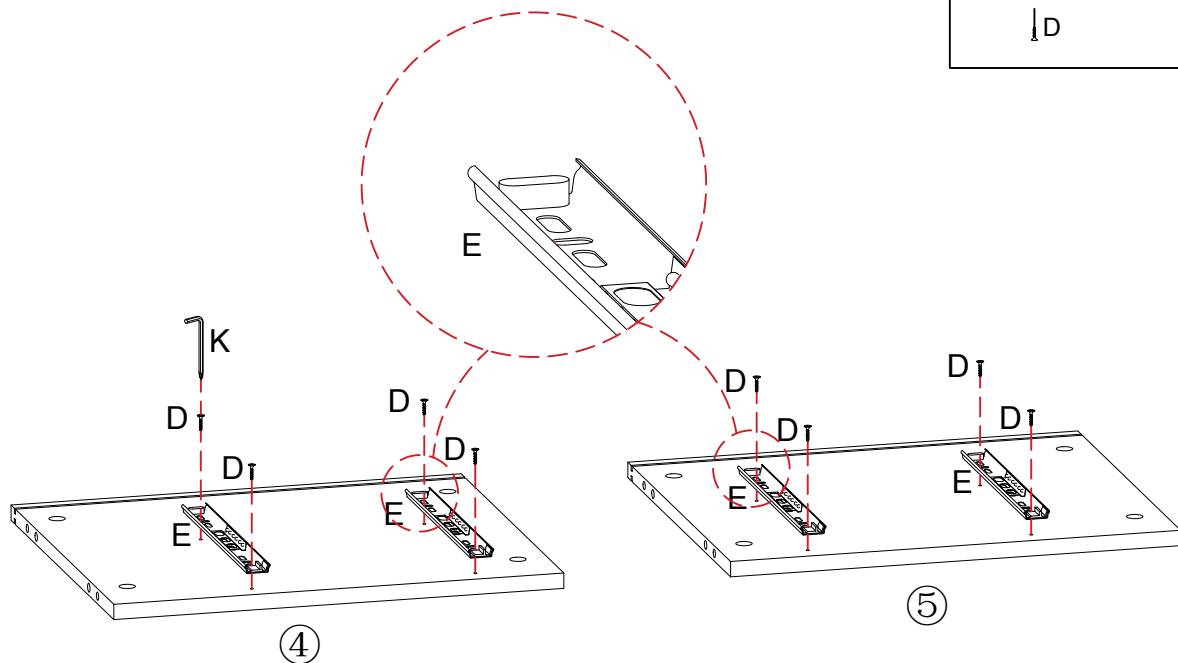
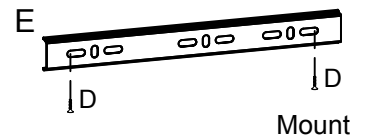




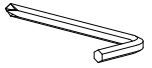
STEP 3 : Remove Runner



STEP 2

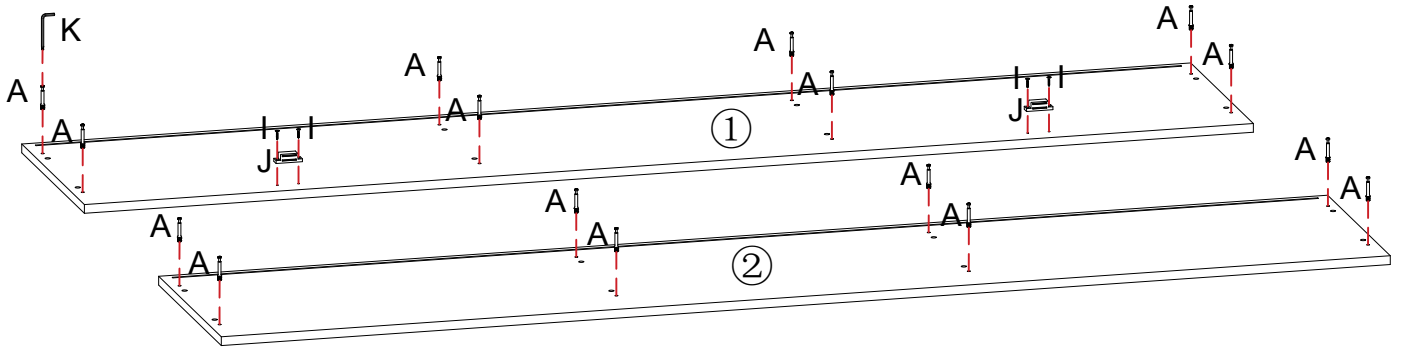
orientation

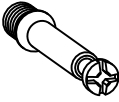


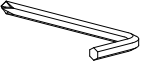


 M3x12mm	 Mount	
D x 8pcs	E x 4pcs	K x 1pc

Assembly Instructions

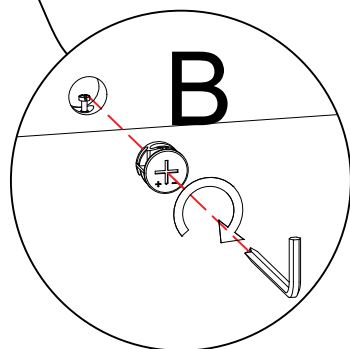
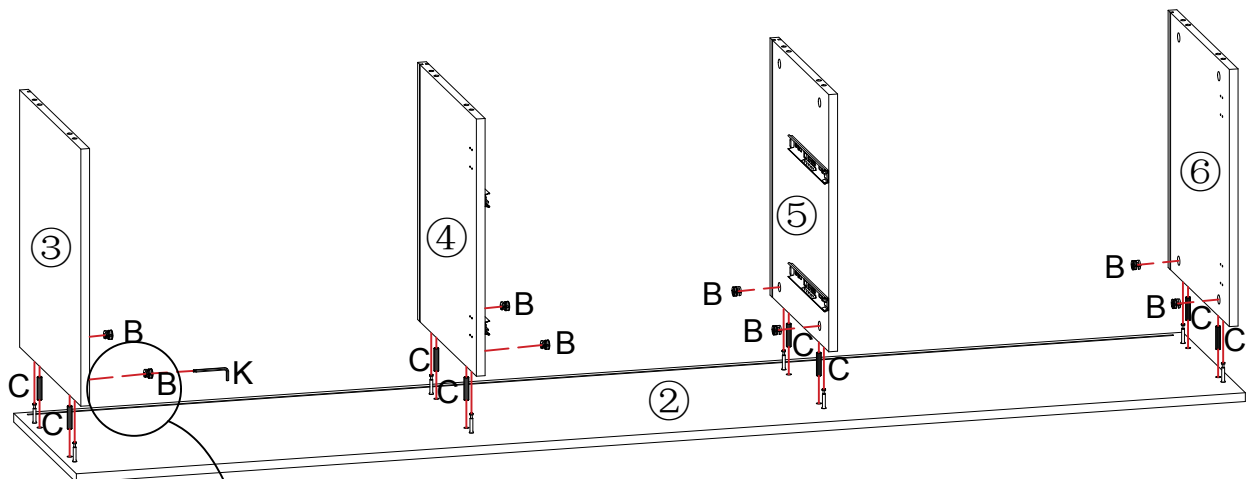
STEP 3



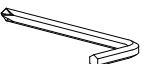


	 M3x16mm		
A x16pcs	I x 4pcs	J x 2pc	K x 1pc

STEP 4

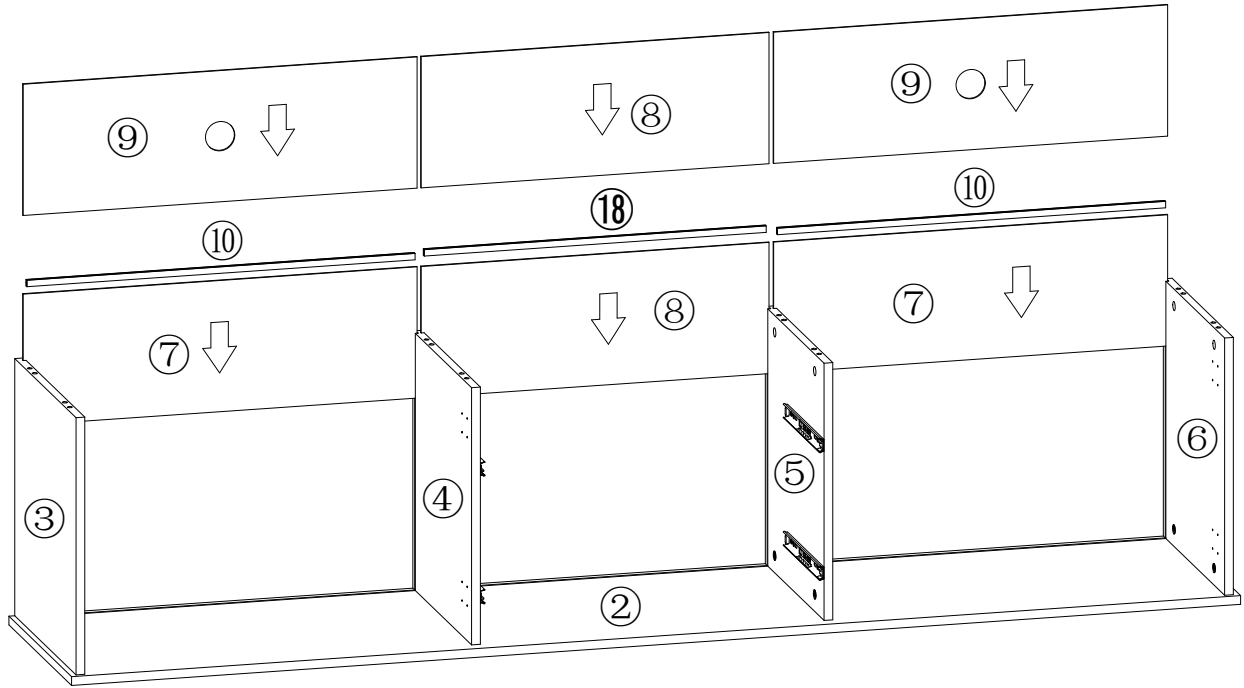
Need to rotate and tighten B.



		
B x8pcs	C x 8pcs	K x 1pc

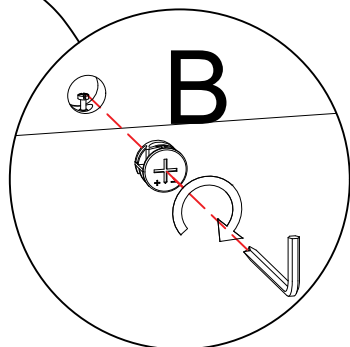
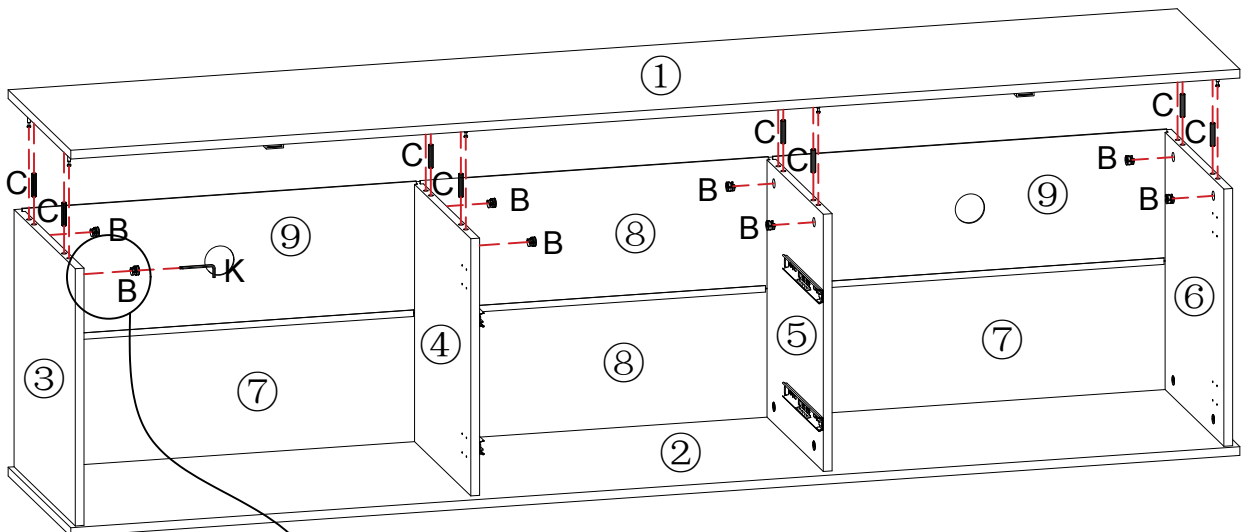
Assembly Instructions



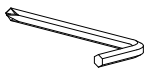
STEP 5



STEP 6

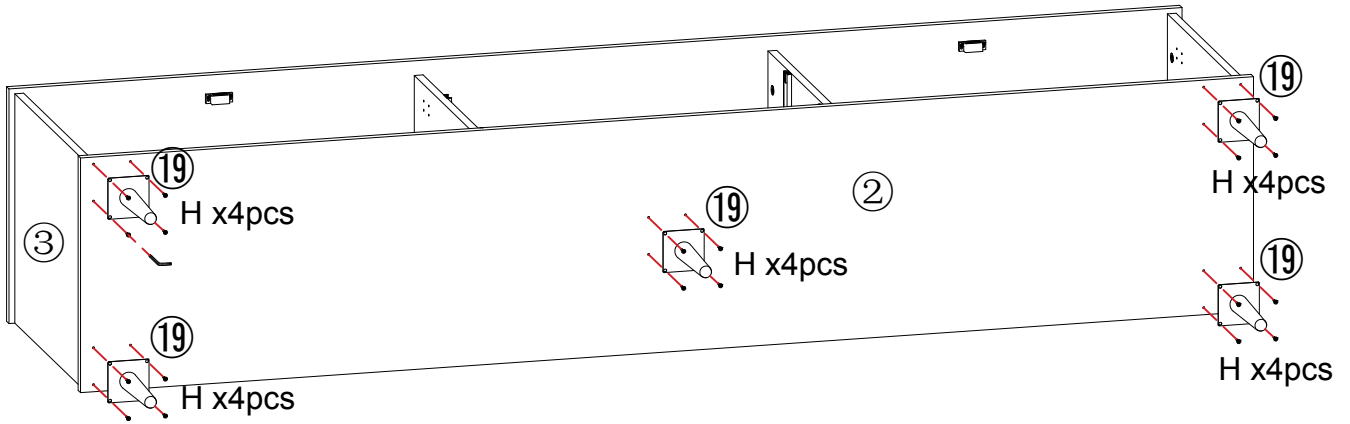
Need to rotate and tighten B.


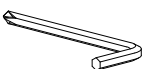


		
B x 8pcs	C x 8pcs	K x 1pc

Assembly Instructions

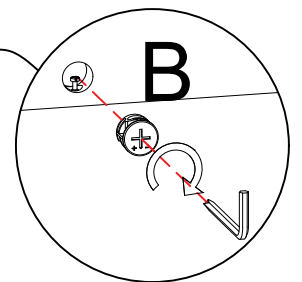
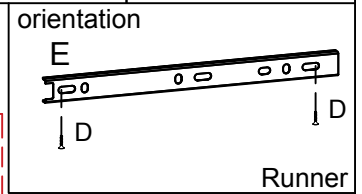
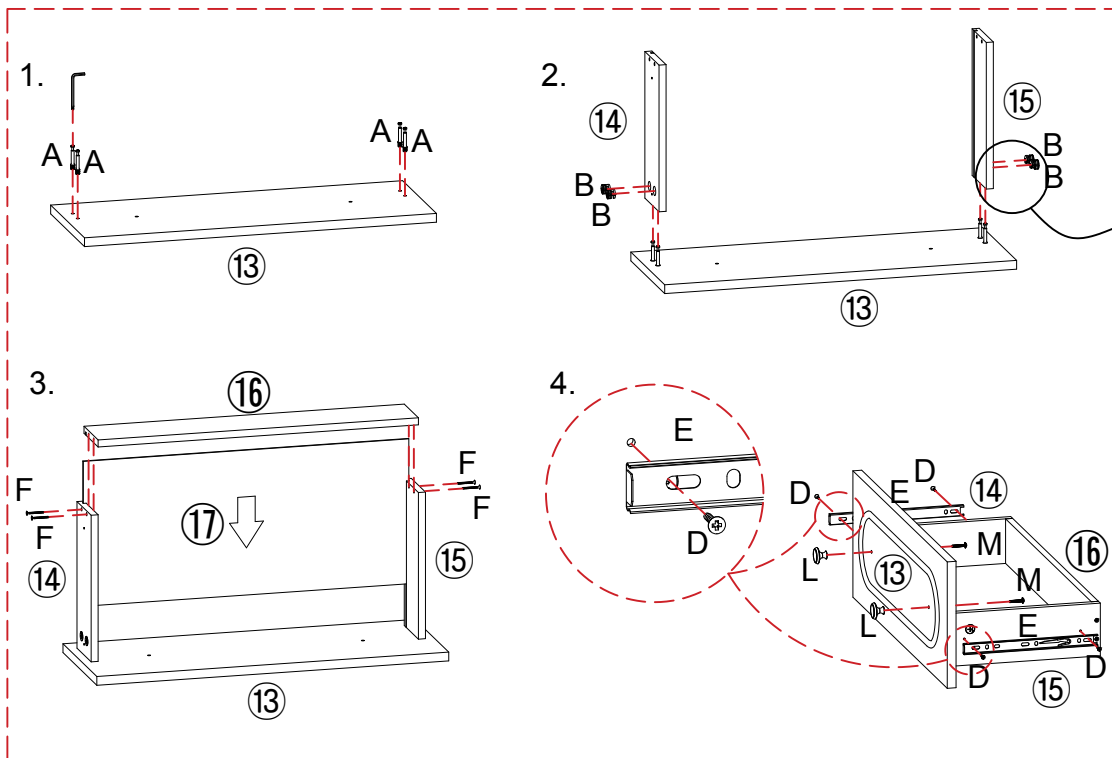
STEP 7






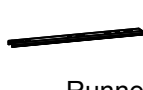

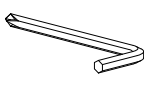

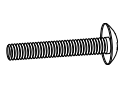
 M4x14mm	
H x 20pcs	K x 1pc

STEP 8

Need to rotate and tighten B.

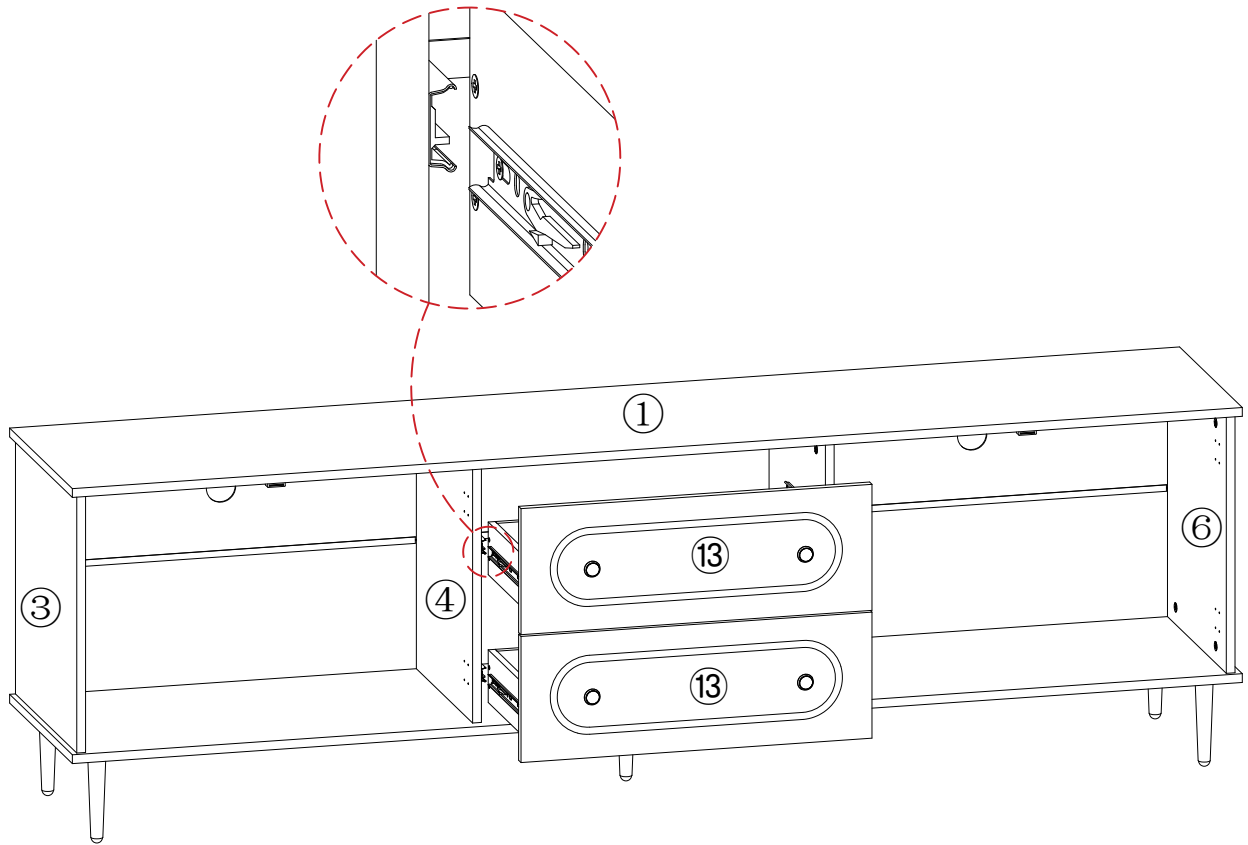


x 2pcs

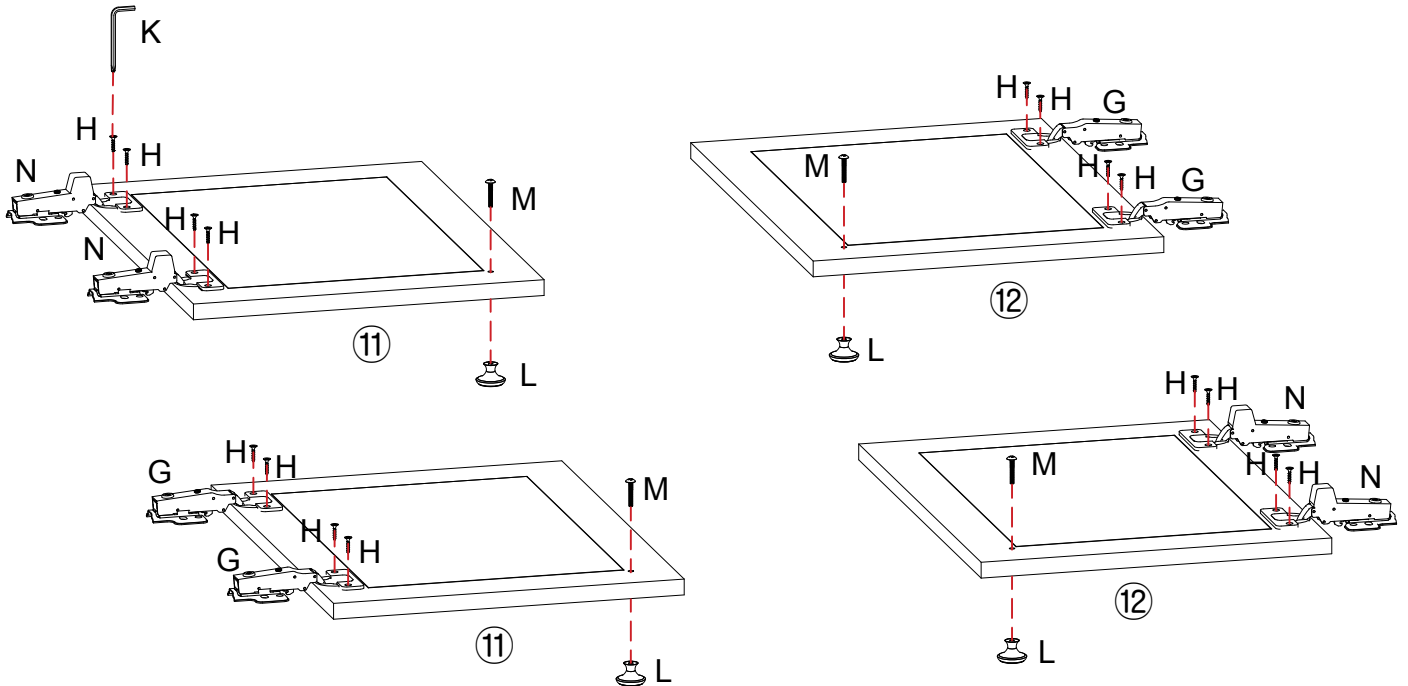
		 M3x12mm	 Runner	 M4x25mm			
A x 8pcs	B x 8pcs	D x 8pcs	E x 4pcs	F x 8pcs	K x 1pc	L x 4pcs	M x 4pcs



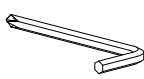



Assembly Instructions

STEP 9



STEP 10



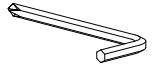
	 M4x14mm				
G x 4pcs	H x 16pcs	K x 1pc	L x 4pcs	M x 4pcs	N x 4pcs

Assembly Instructions

STEP 11

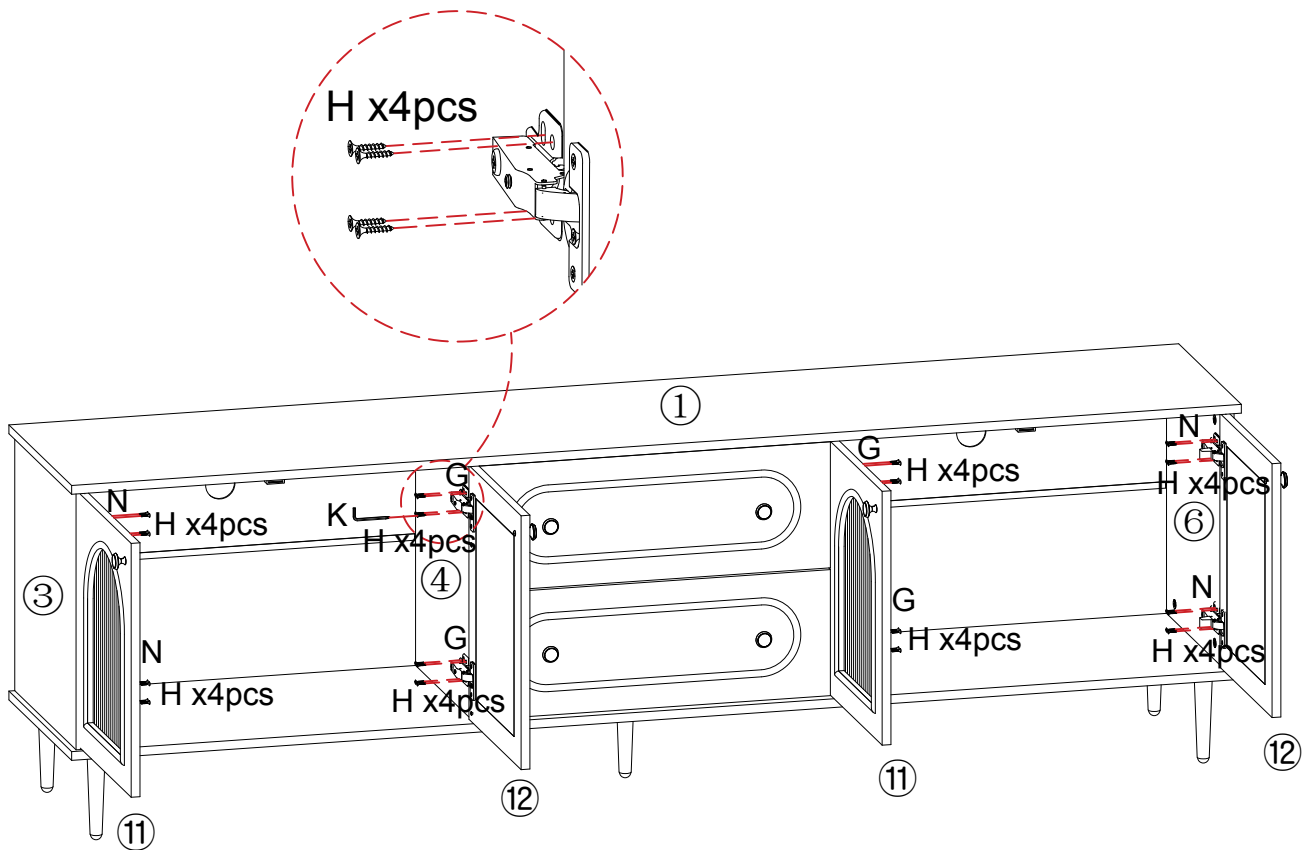


M4x14mm

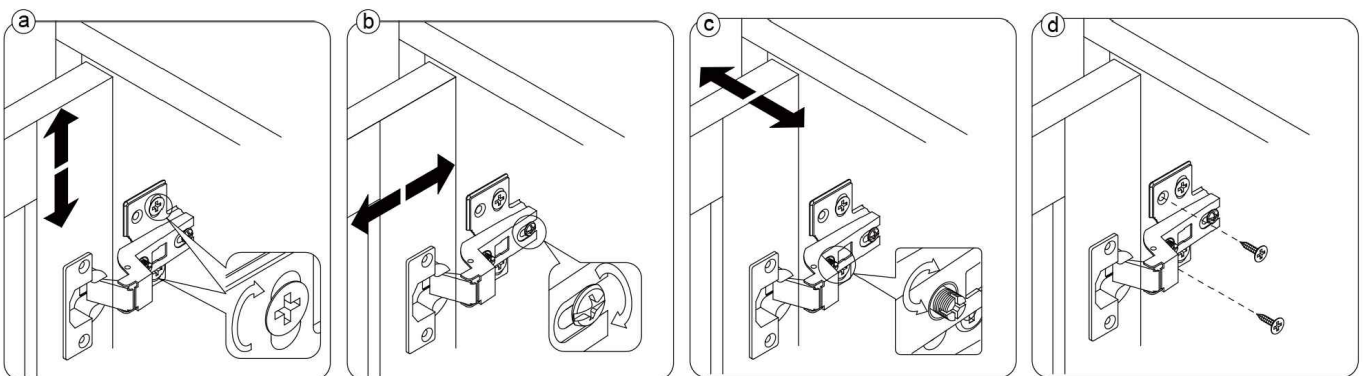


H x 32pcs

K x 1pc



When the hinges are installed, you can refer to the pictures to adjust crevice of the doors till it's perfect:



1. To adjust the doors up and down, please refer to step (a)
2. To adjust the distance between the doors and side panels, please refer to step (b)
3. To adjust the gap between two doors, please refer to step (c)
4. After the adjustment finished, please tight the screws, refer to step (d)