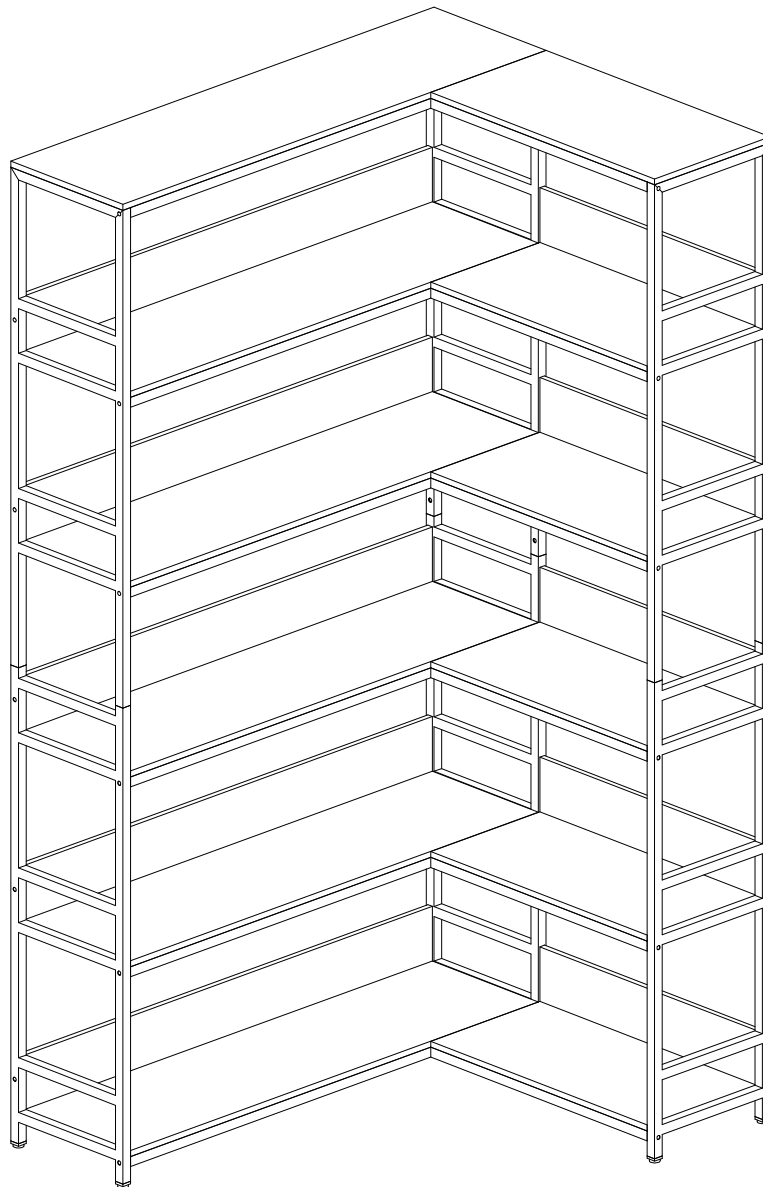




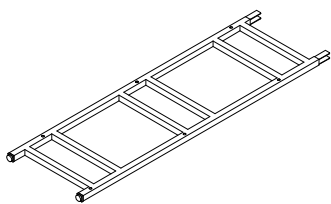
# Installation Instruction



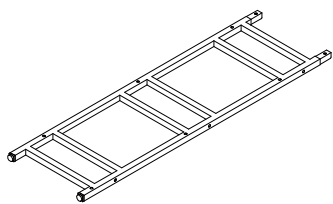
Please don't tighten the screws completely and go back later for a final tightening of all the screws after pieces are aligned with each other.



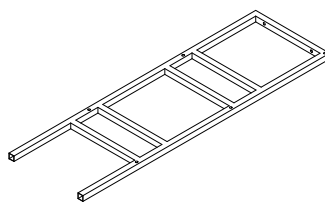
# HARDWARE LIST



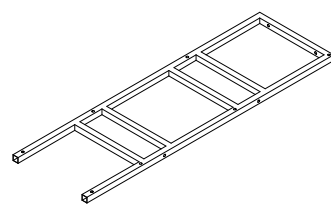
①×2PC



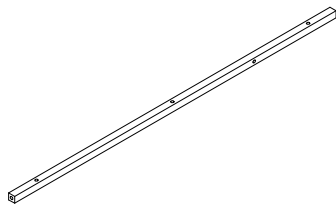
②×1PC



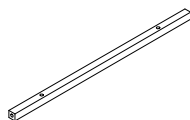
③×2PC



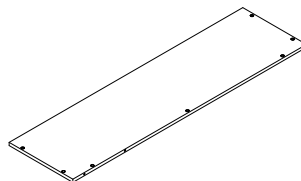
④×1PC



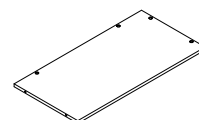
⑤×6PC



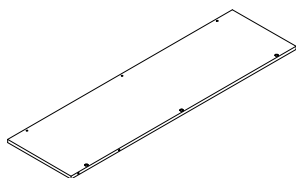
⑥×6PC



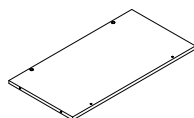
⑦×1PC



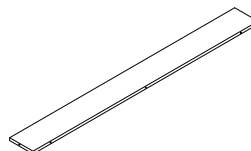
⑧×1PC



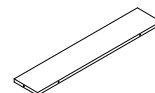
⑨×5PC



⑩×5PC

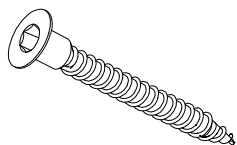


⑪×5PC

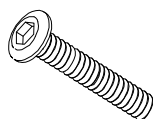


⑫×5PC

# PARTA LIST



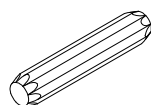
M6\*45mm  
A×45+2PCS



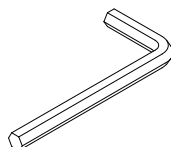
M6\*28mm  
B×60+2PCS



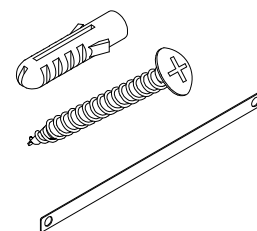
M6\*10mm  
C×6+1PCS



Ø6\*30mm  
D×12+1PCS

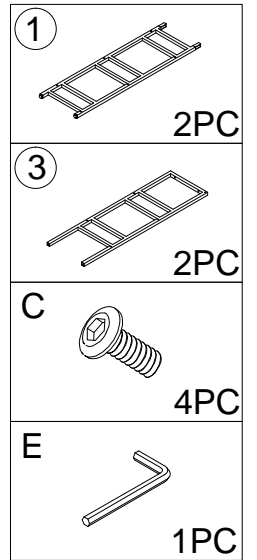
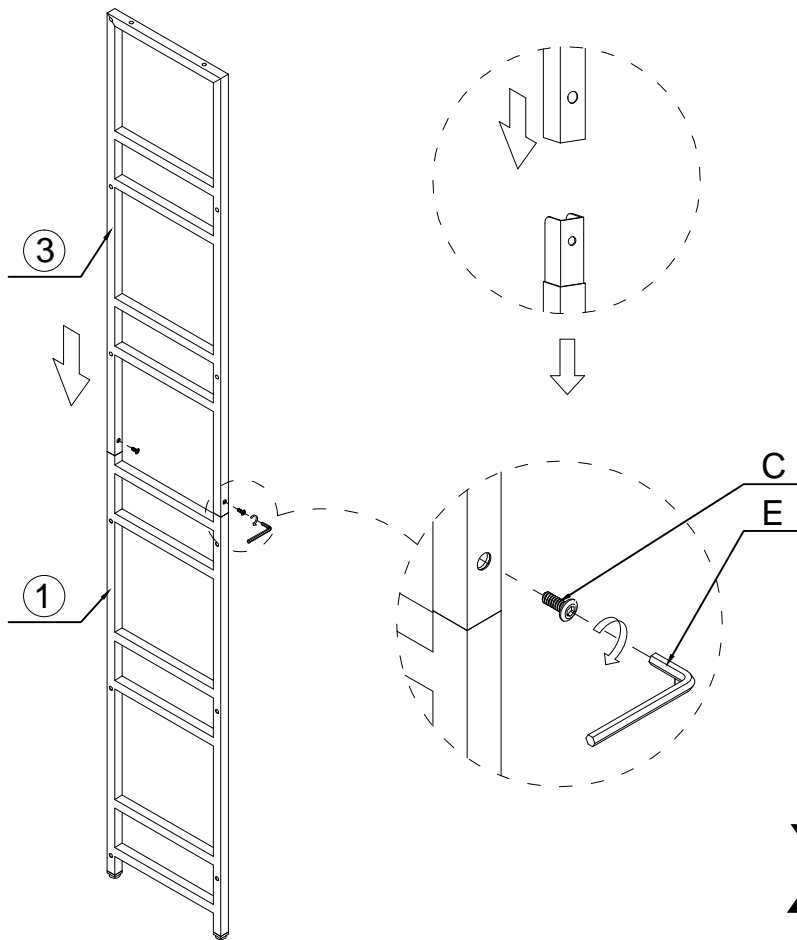


M4mm  
E×2PCS



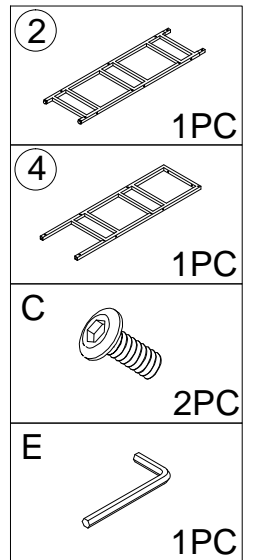
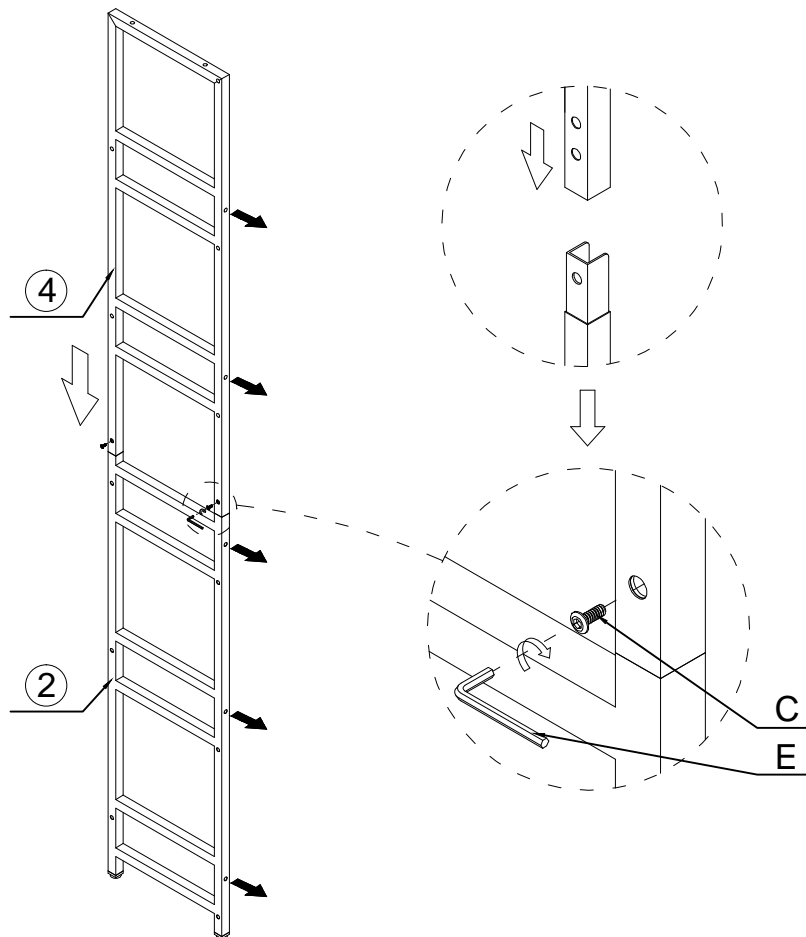
Ø6\*30MM  
M4\*30MM  
F×2PCS

# 1

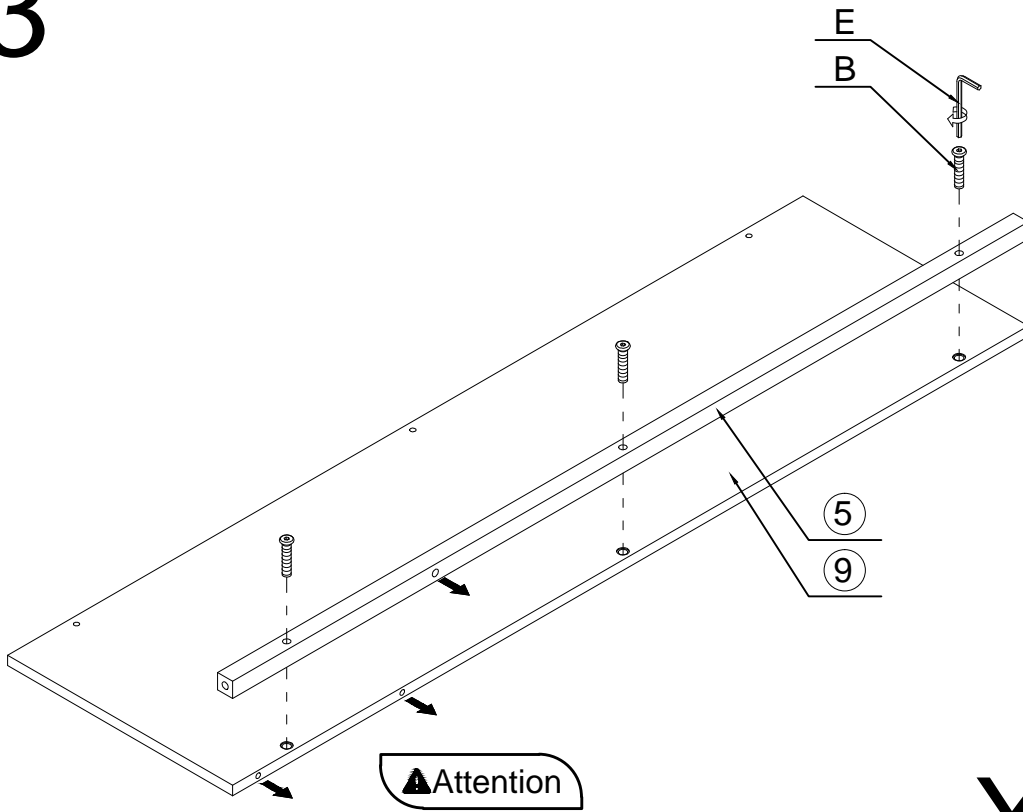


# X2

# 2



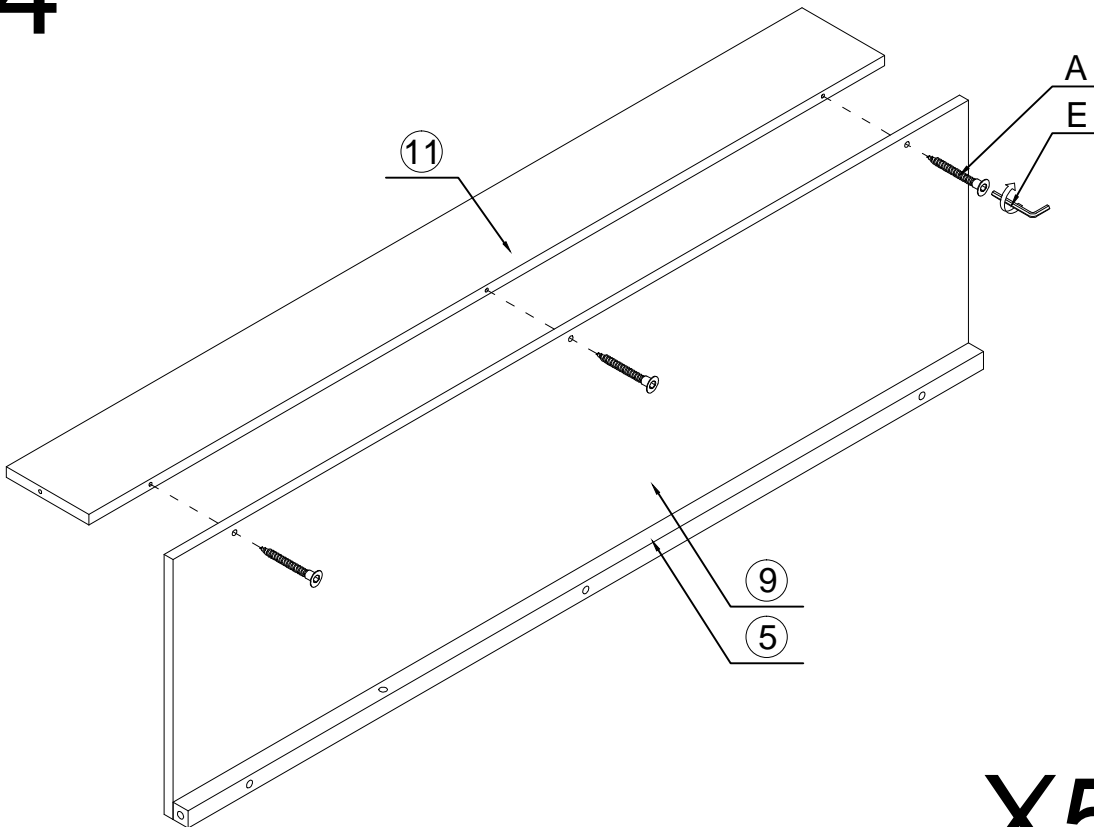
# 3



5		5PC
9		5PC
B		15PC
E		1PC

# X5

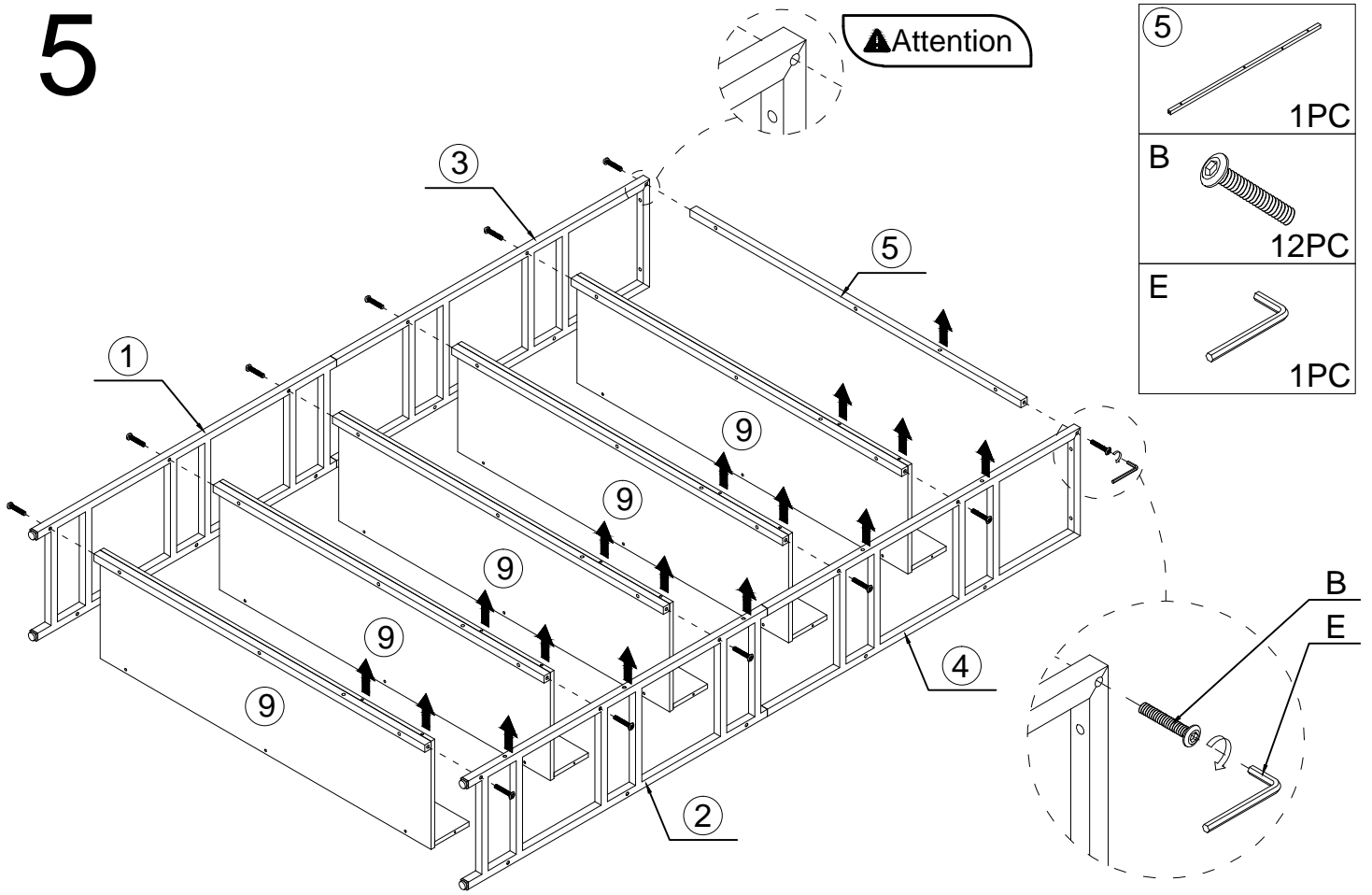
# 4



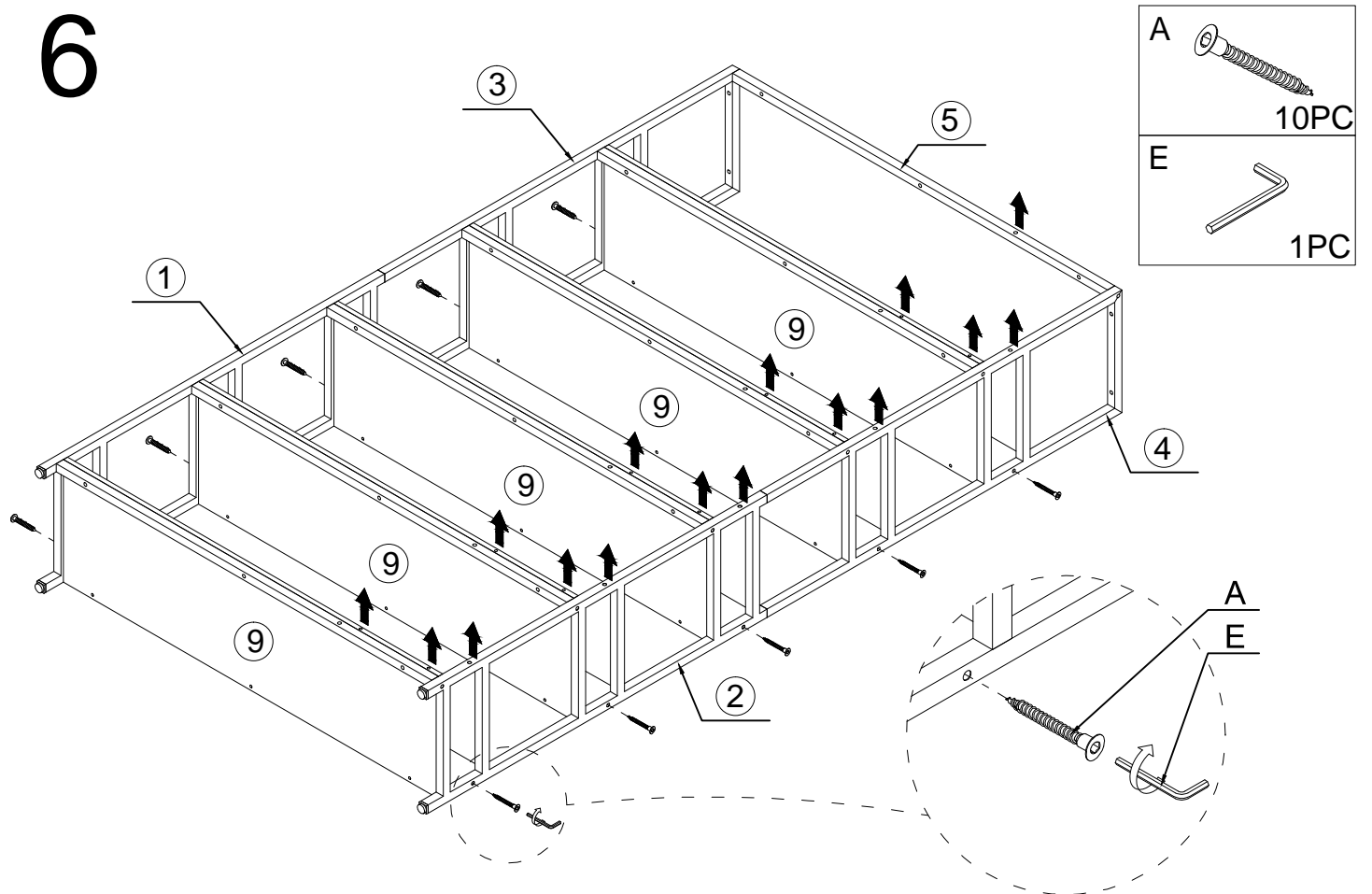
11		5PC
A		15PC
E		1PC

# X5

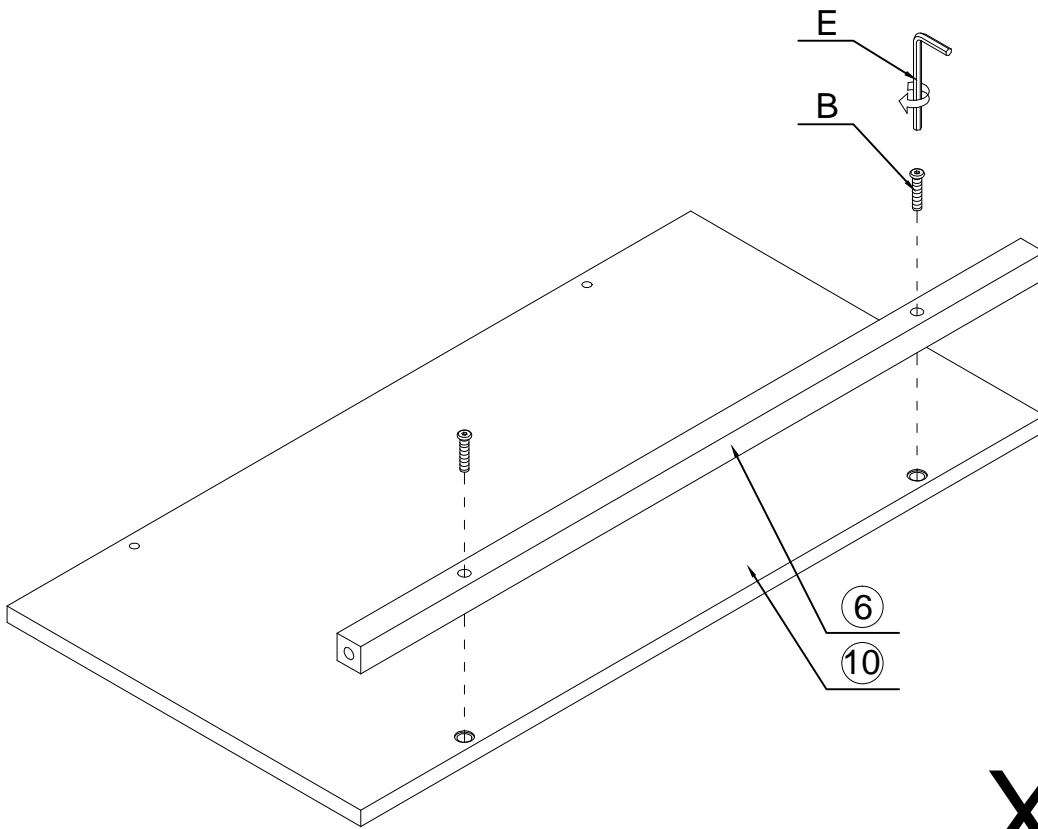
# 5



# 6



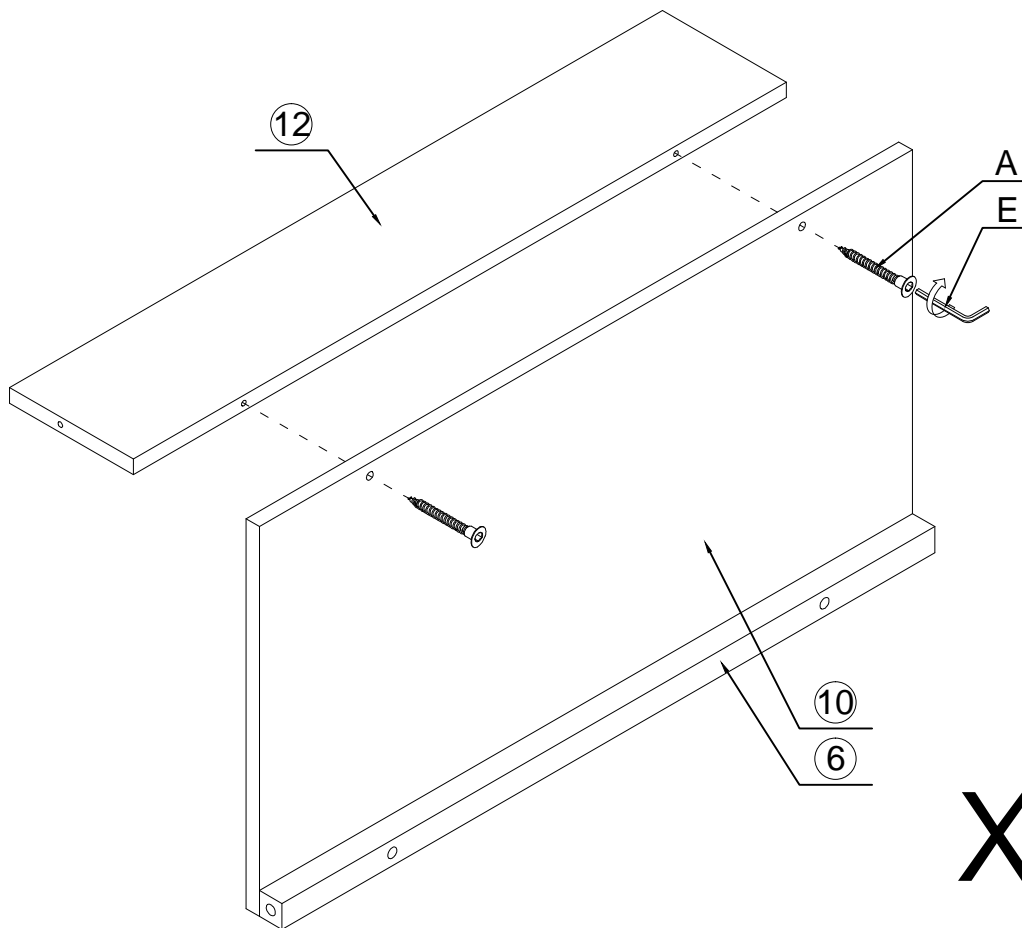
# 7



- 10 5PC
- 6 5PC
- B 10PC
- E 1PC

## X5

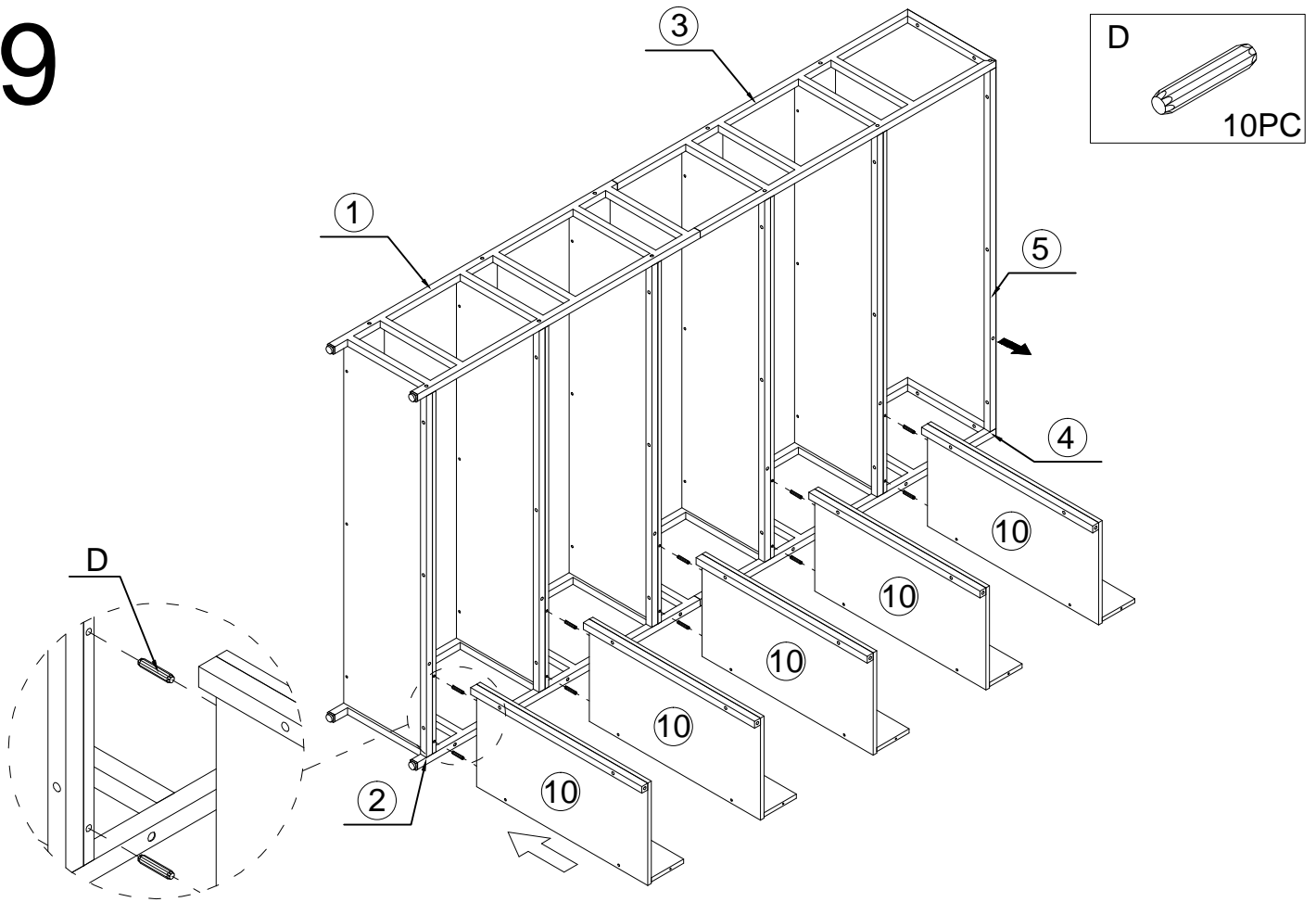
# 8



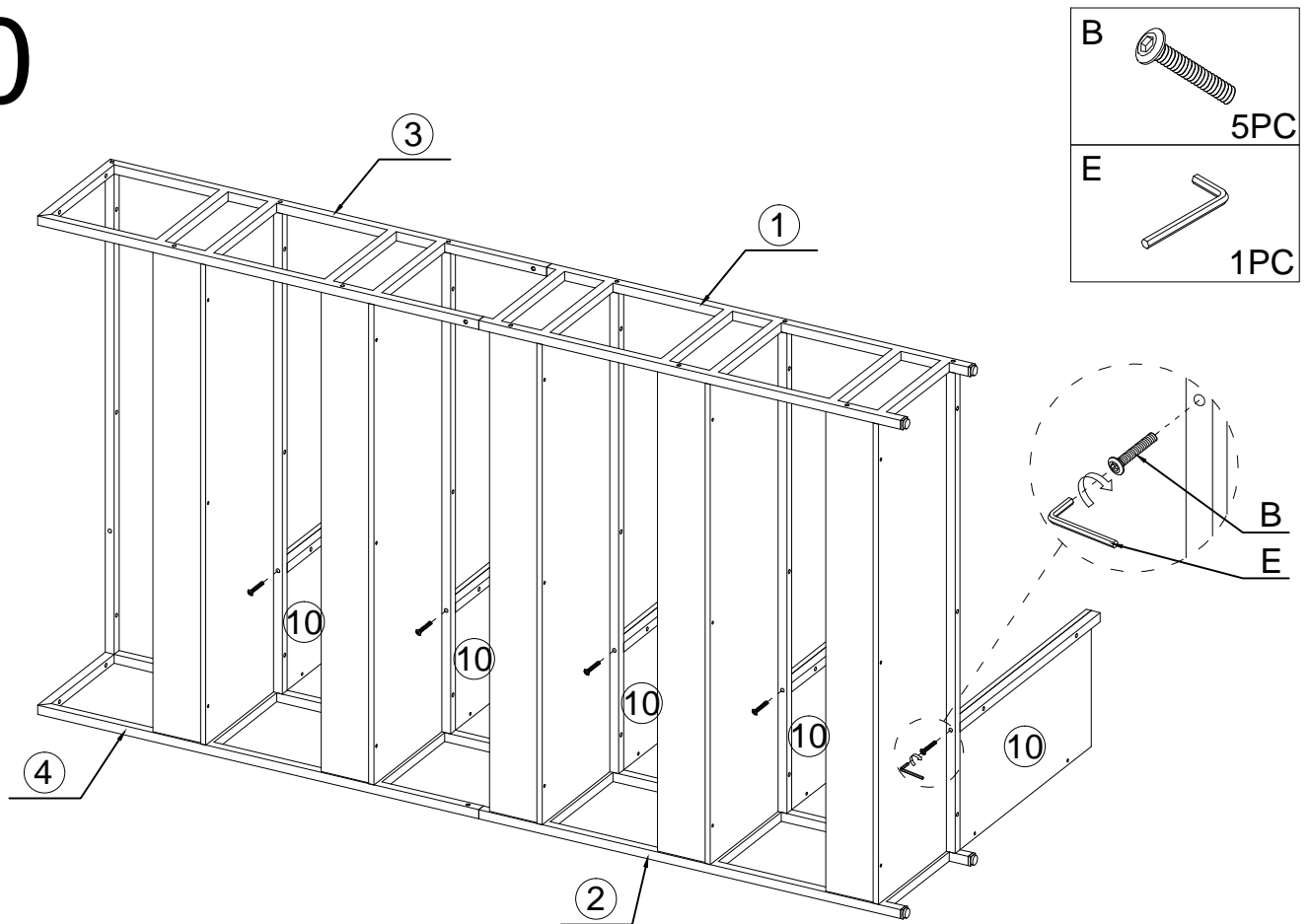
- 12 5PC
- A 10PC
- E 1PC

## X5

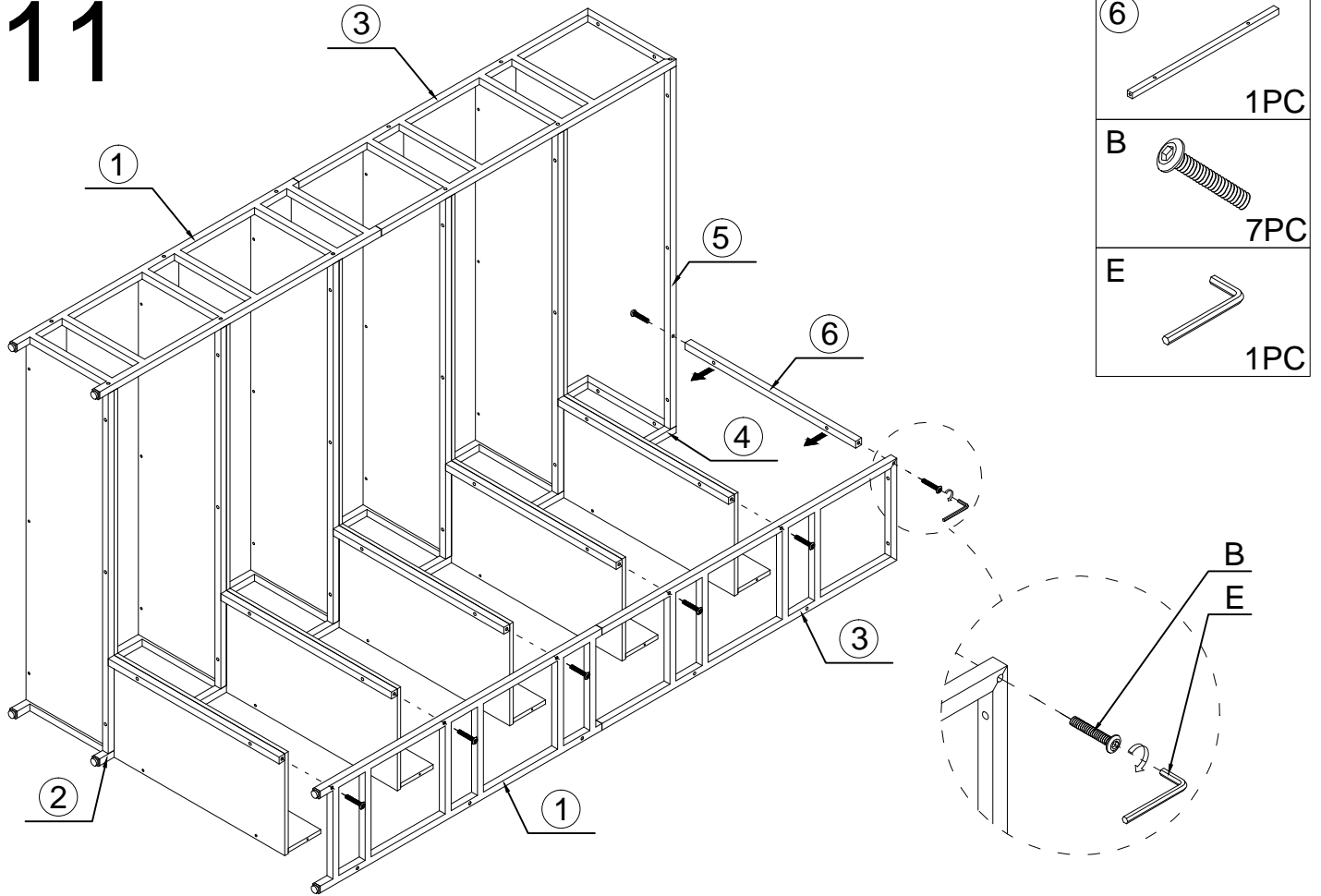
# 9



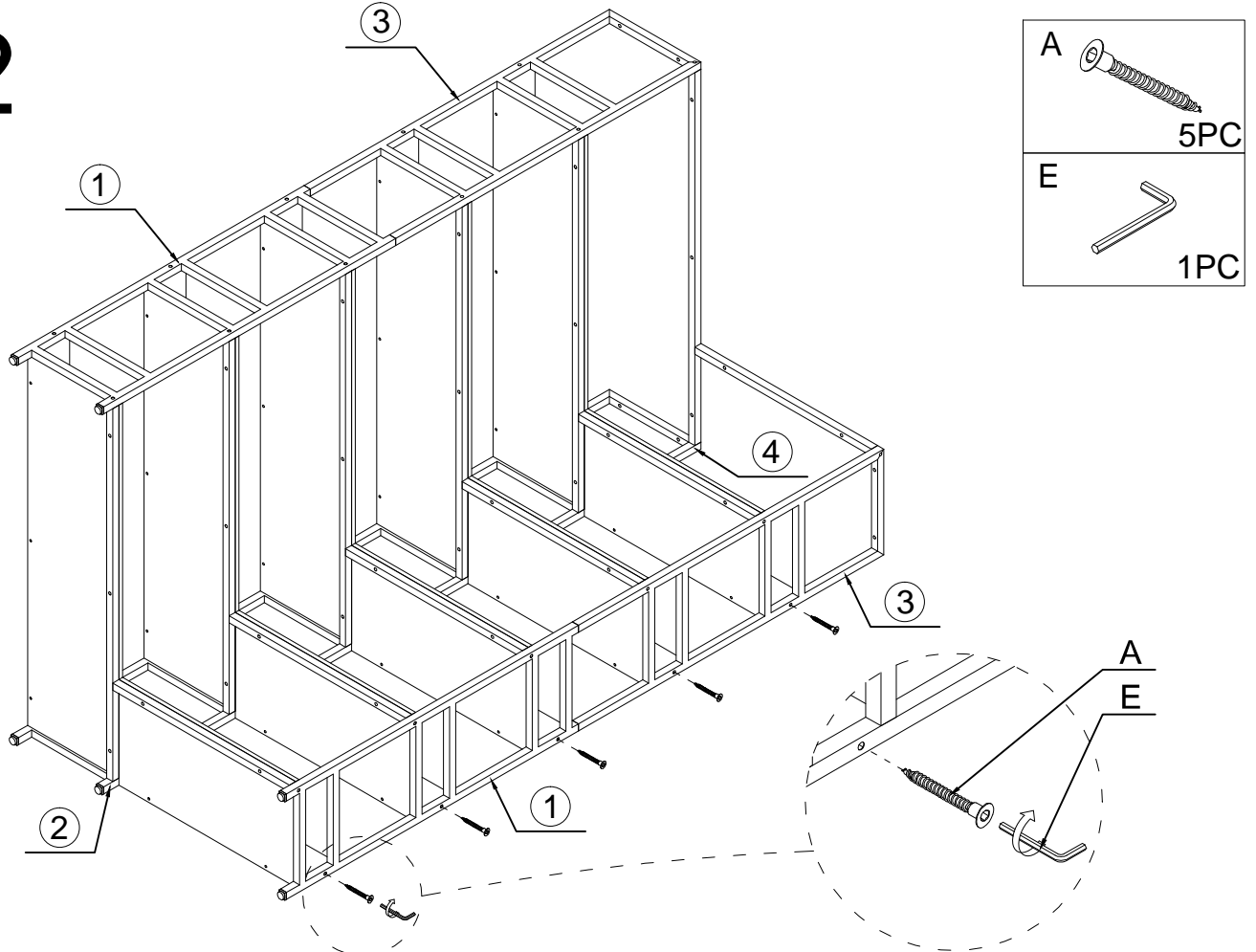
# 10



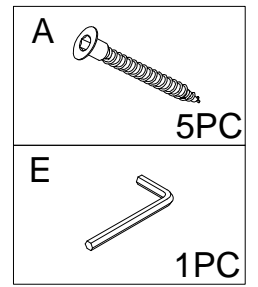
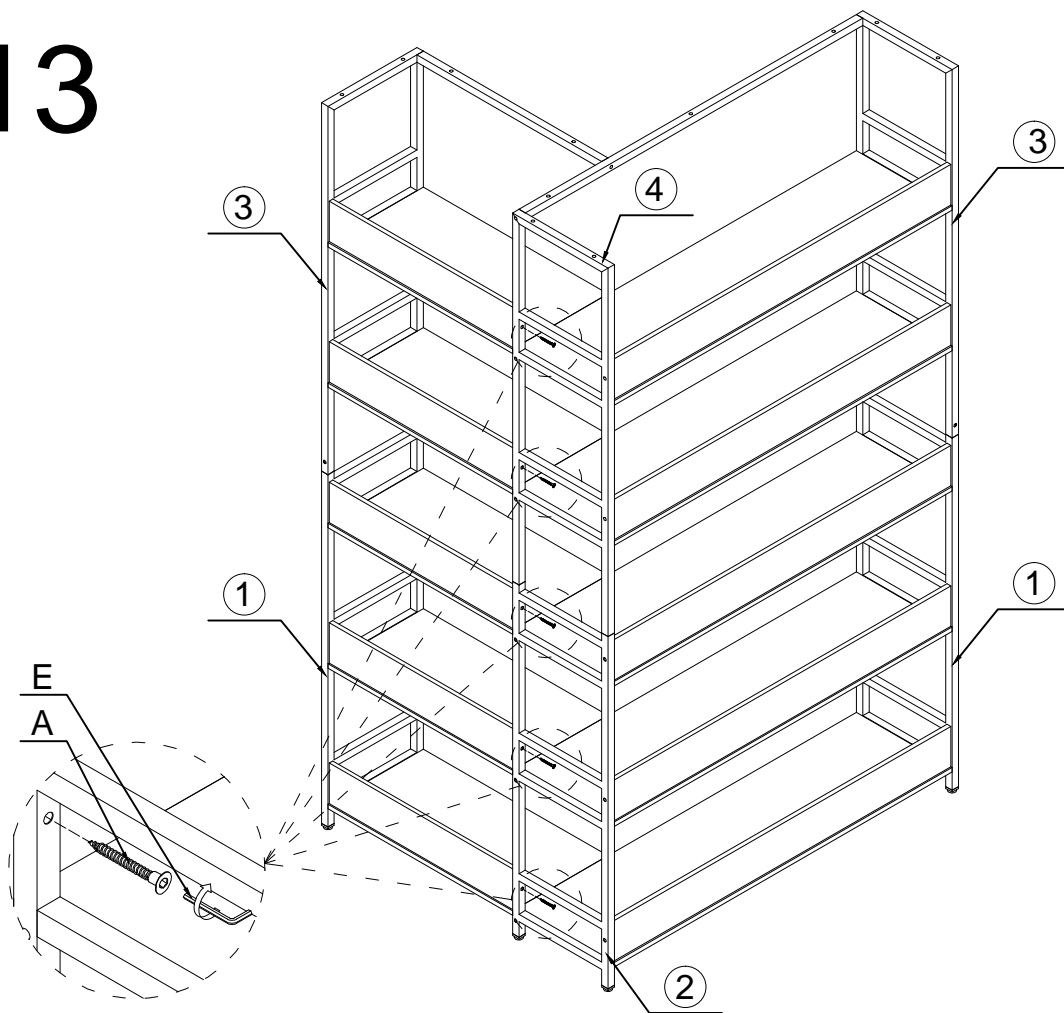
# 11



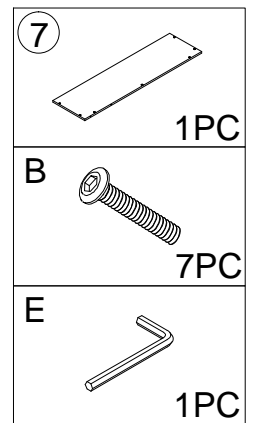
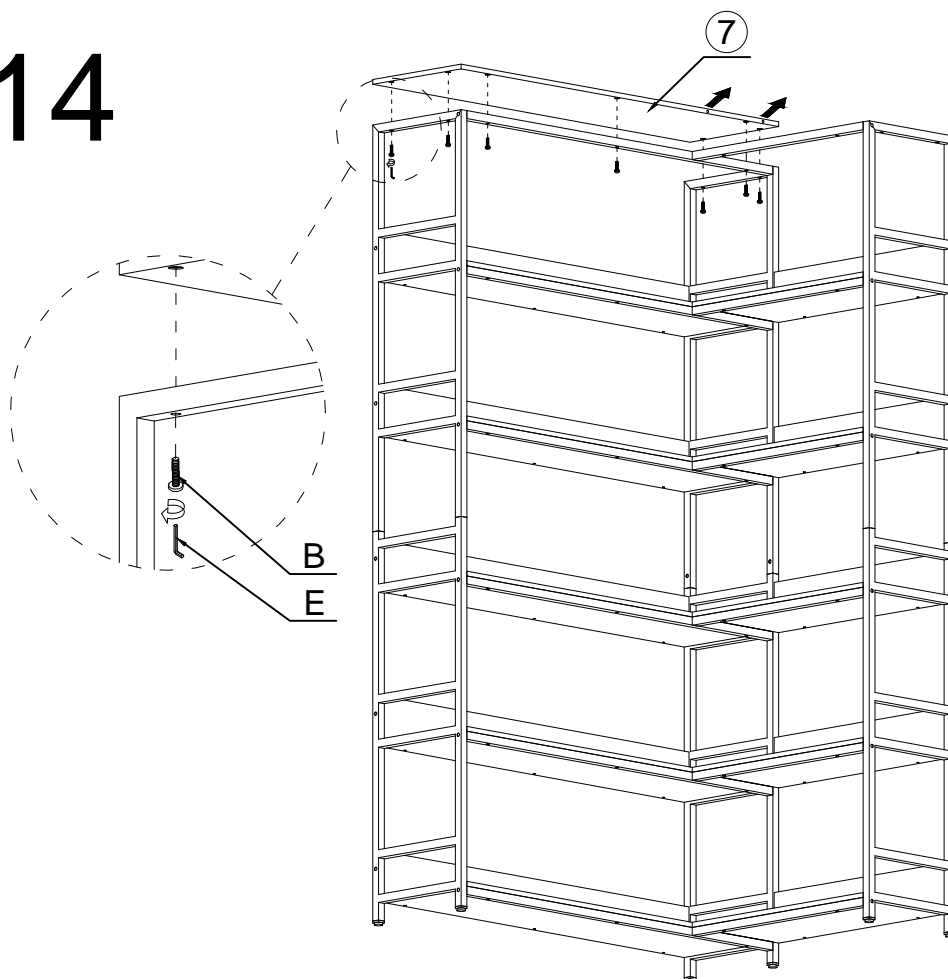
# 12



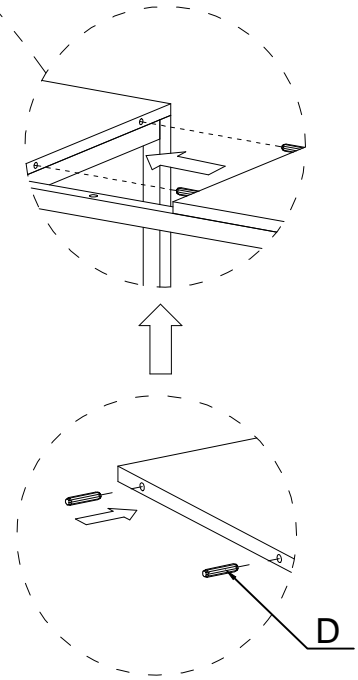
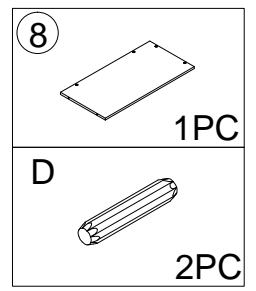
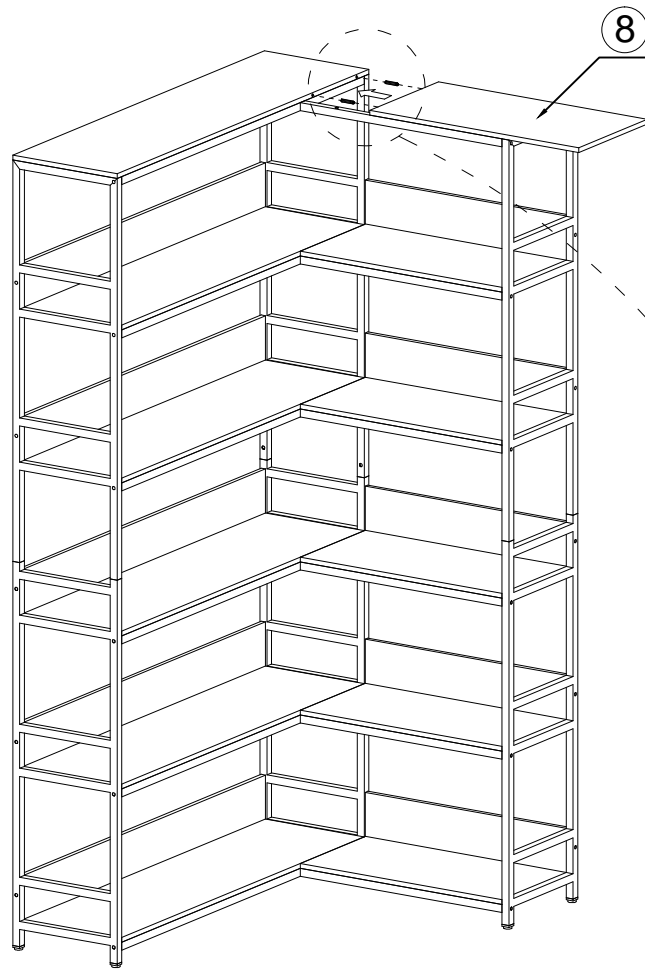
# 13



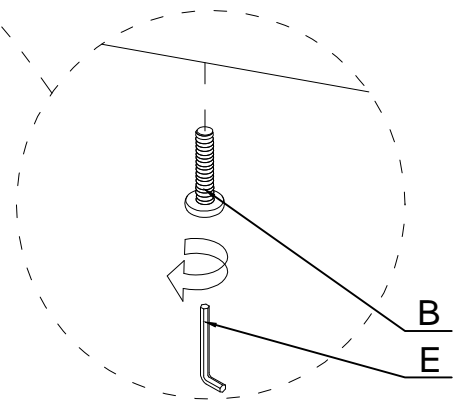
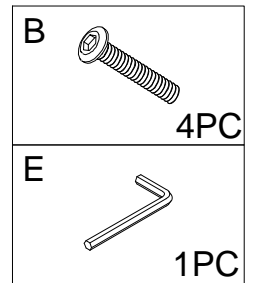
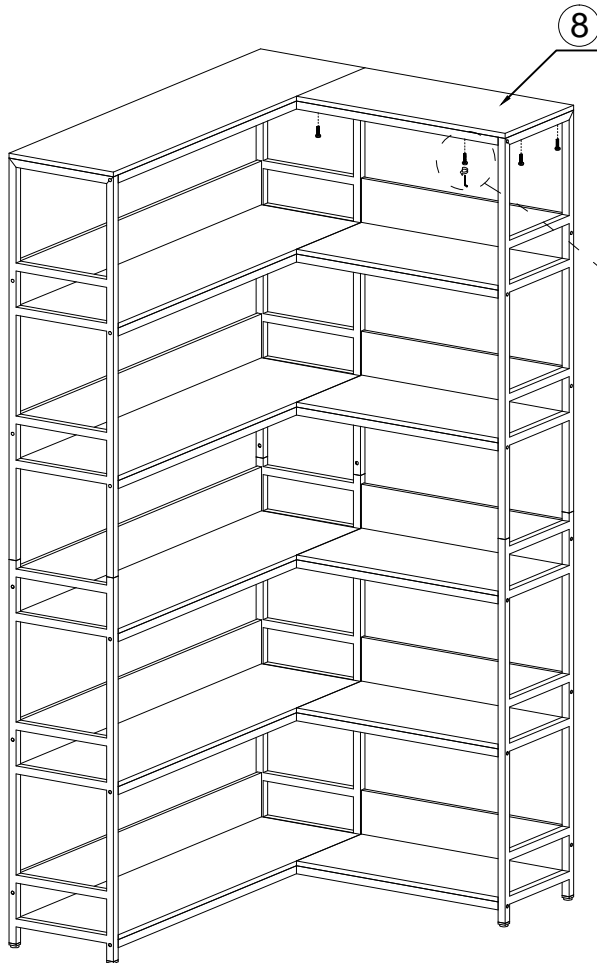
# 14



# 15

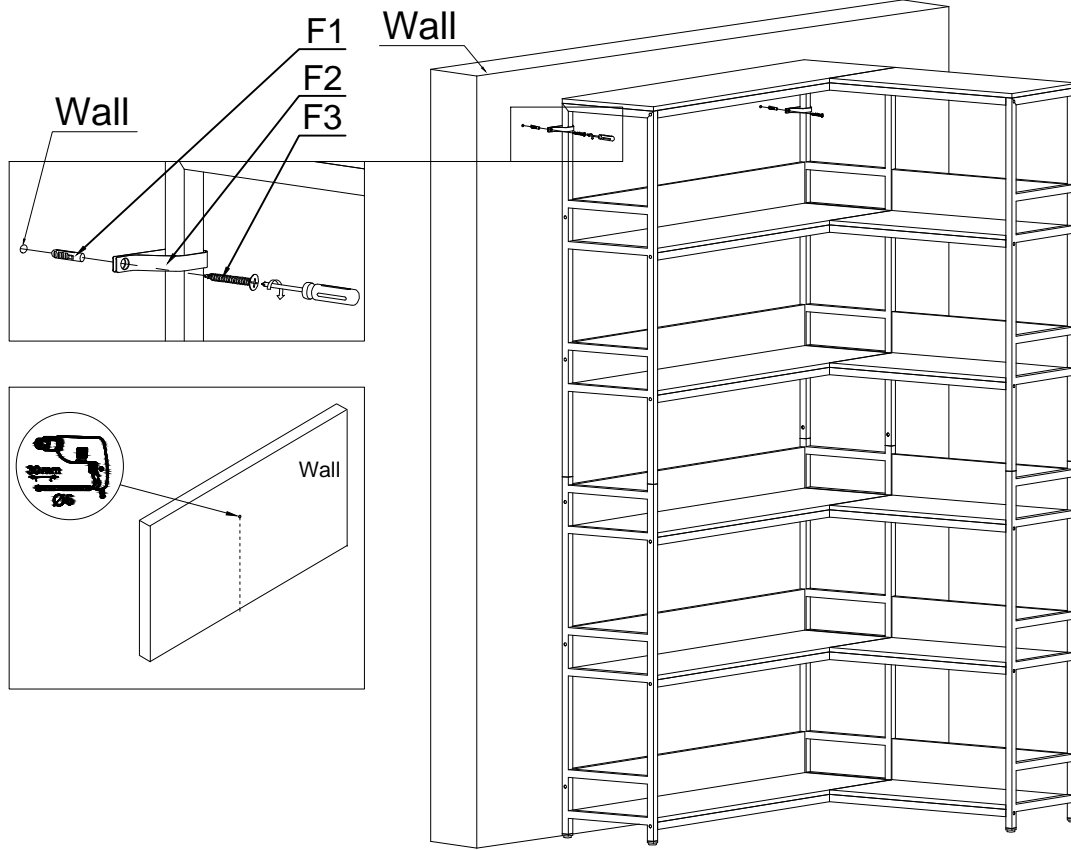


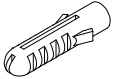


# 16



# 17

Attention !!! For the safety of your family ,  
please install Tipover Res-traint Device



- |    |   |     |
|----|---|-----|
| F1 |  | 2PC |
| F2 |  | 2PC |
| F3 |  | 2PC |

# 18

