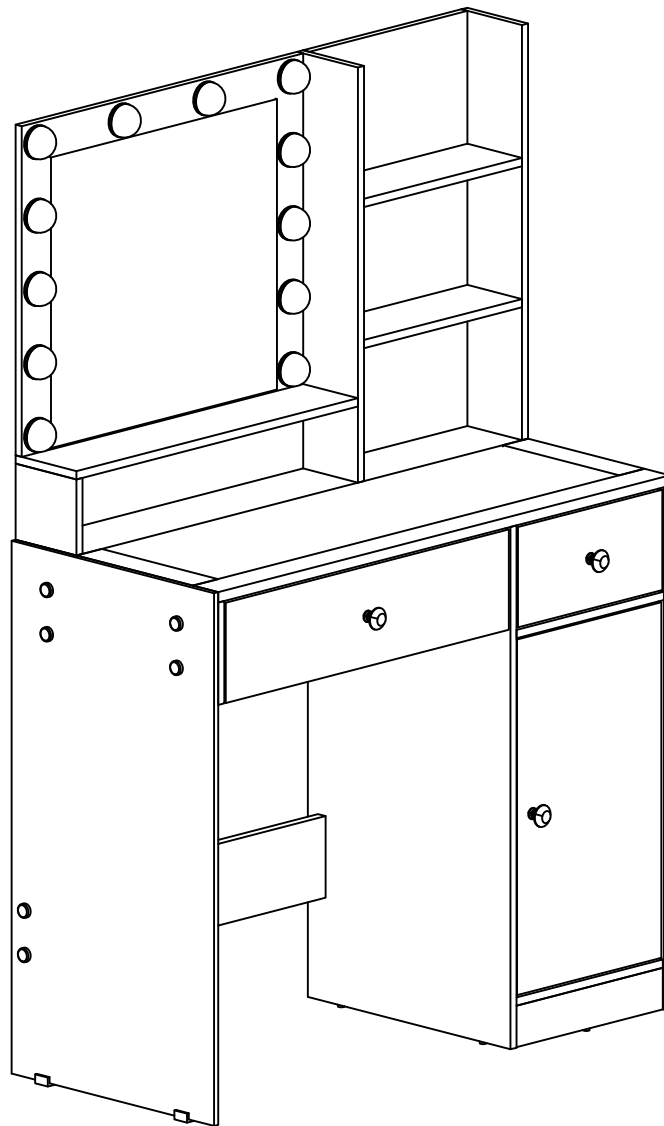
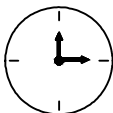


# ASSEMBLY INSTRUCTIONS

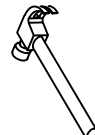
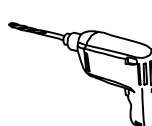
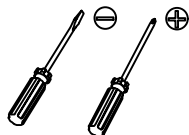


2PERS



120 MIN

Tool Required Not Provided

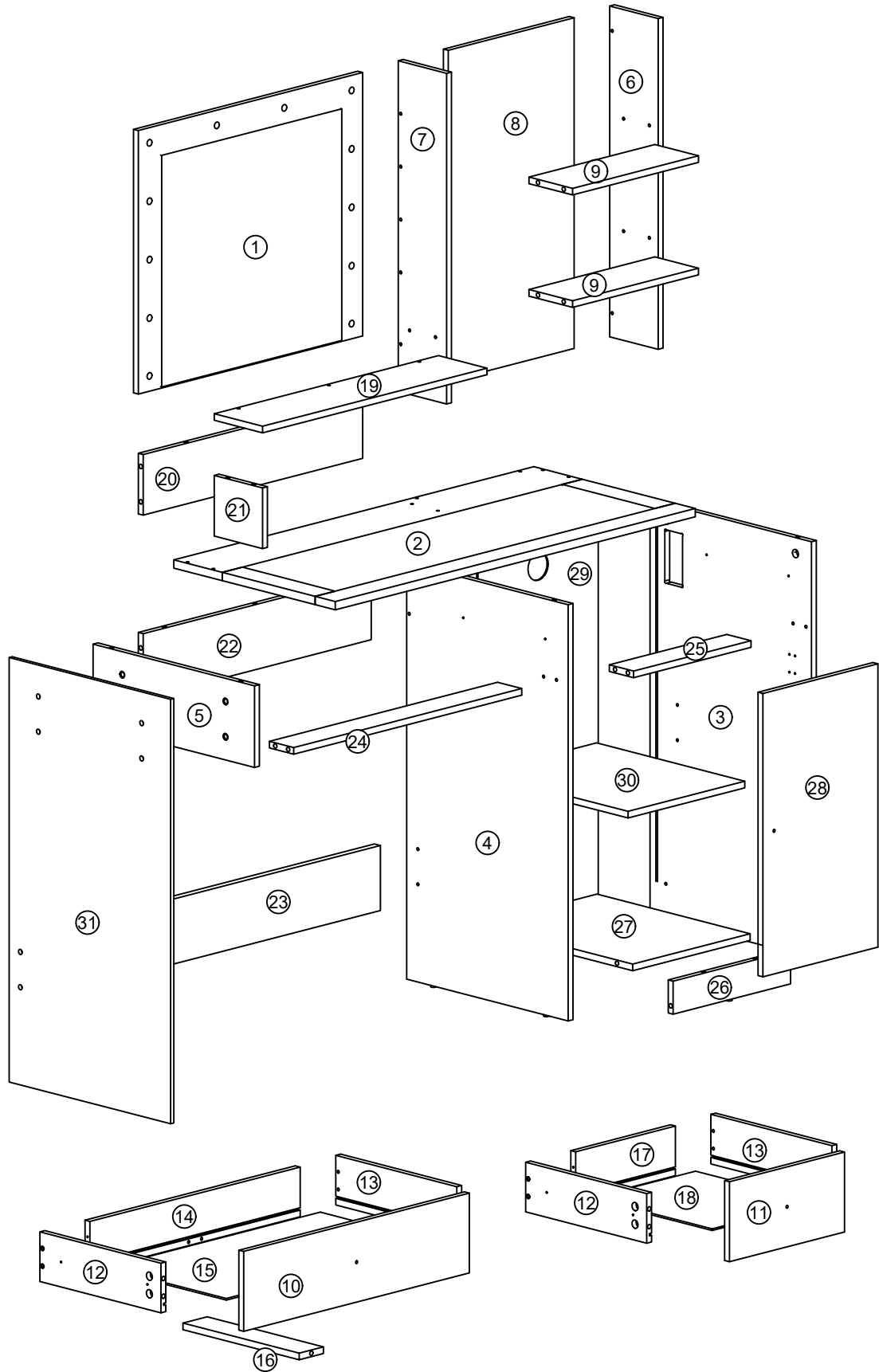


## **WARNING**

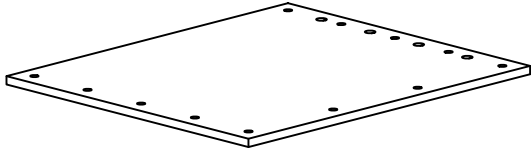
- 1.The maximum weight capacity of the product is 100kg; do not overload.
- 2.Do not allow children to climb on furniture, as it may cause tipping and serious injury.
- 3.For safety, please install correctly according to the instructions, and seek professional assistance if necessary.
- 4.Do not place furniture near fire sources or hot items to avoid fire risk.
- 5.Do not place furniture in damp environments to prevent material damage.
- 6.Regularly check all connections and fasteners to ensure they are secure to prevent accidents.
- 7.Clean furniture with a damp cloth or alcohol; avoid using cleaners with corrosive chemicals.

Before installation, insert the screws into the holes and tighten them, but do not tighten them to 100%, 70% to 80% is sufficient. Finally, after all screws are installed, tighten all screws to 100%. If you encounter these issues, such as if the holes cannot be aligned or some parts cannot be installed, please check if the screws are used correctly and adjust the tightness of the screws.

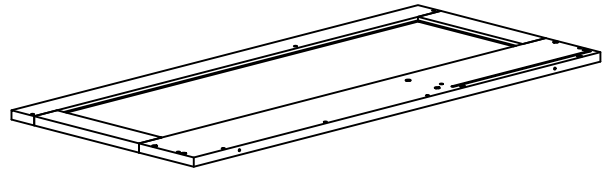
# Parts list



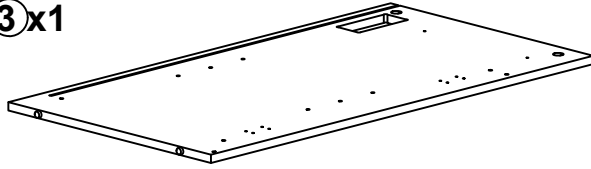
① x1



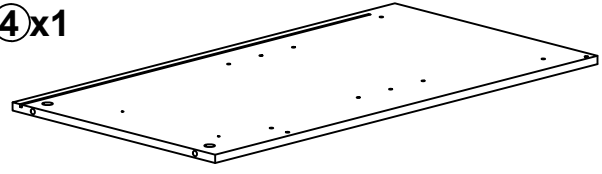
② x1



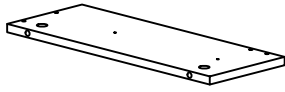
③ x1



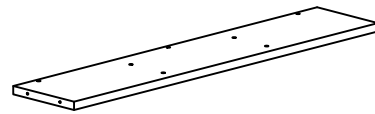
④ x1



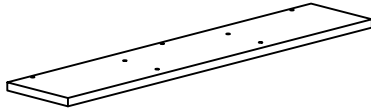
⑤ x1



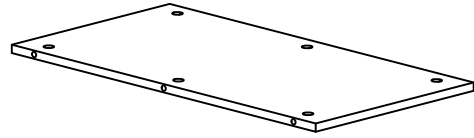
⑥ x1



⑦ x1



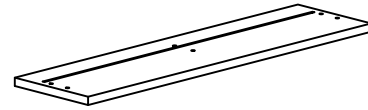
⑧ x1



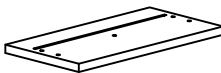
⑨ x2



⑩ x1



⑪ x1



⑫ x2



⑬ x2



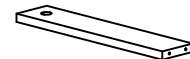
⑭ x1



⑮ x1



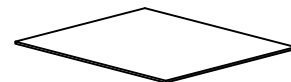
⑯ x1



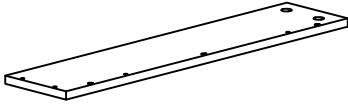
⑰ x1



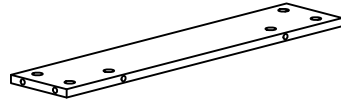
⑱ x1



19 x1



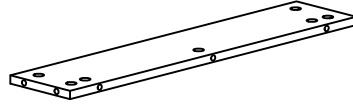
20 x1



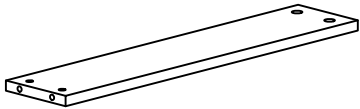
21 x1



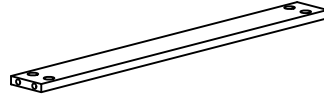
22 x1



23 x1



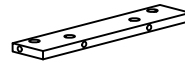
24 x1



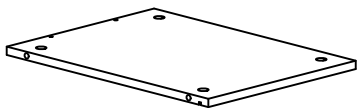
25 x1



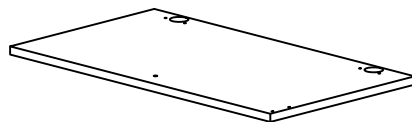
26 x1



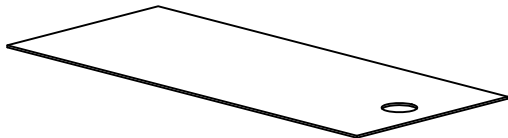
27 x1



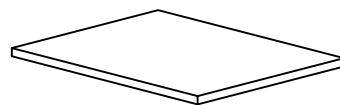
28 x1



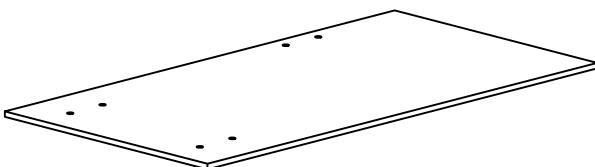
29 x1








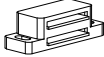









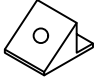

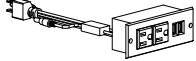








30 x1



31 x1

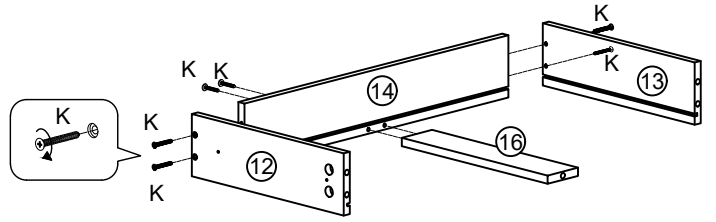
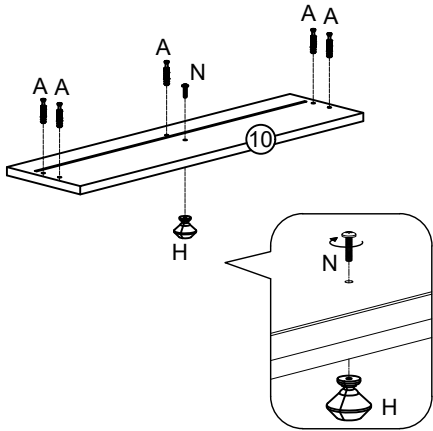



# Hardware


<b>A</b>   x68  Ø6x36mm	<b>B</b>   x68  Ø15x9.5mm	<b>C</b>   x2 	<b>D</b>   x1 	<b>E</b>   x4  5mm	<b>F</b>   x1 
<b>G</b>   x4 	<b>H</b>   x3 	<b>I</b>   x1  4mm	<b>J</b>   x38  Ø3.5x12mm	<b>K</b>   x21  Ø4x35mm	<b>L</b>   x6 
<b>M</b>   x2  M6x35mm	<b>N</b>   x3  M4x15mm	<b>O</b>   x4  M6x20mm	<b>P</b>   x6 	<b>Q</b>   x2  Ø3x15mm	<b>R</b>   x1 
<b>S</b>   x2 	<b>T</b>   x1 	<b>U</b>   x2 	<b>V</b>   x2  Ø4x14mm	<b>W</b>   x2  Ø4x45mm	<b>X</b>   x2 
<b>Y</b>   x2 	<b>Z</b>   x6 				


Please note that the shapes of screws J and Q are similar. Please install according to the instructions and distinguish them!


1



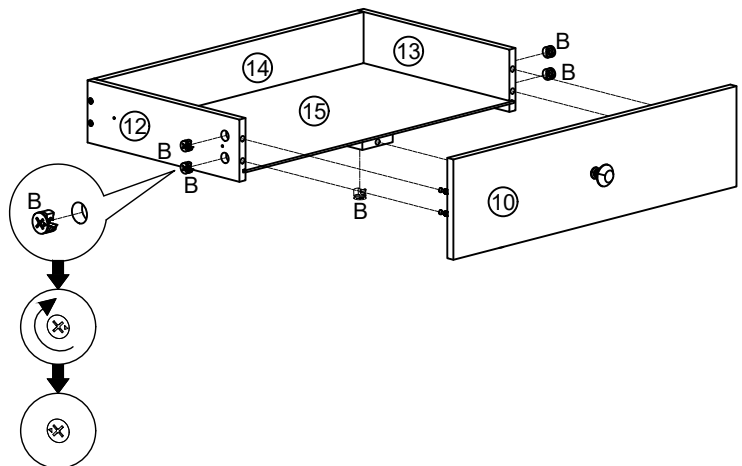
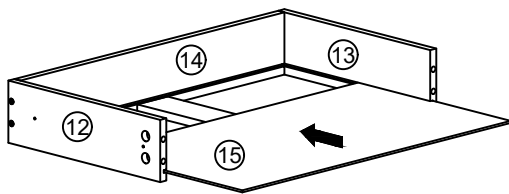
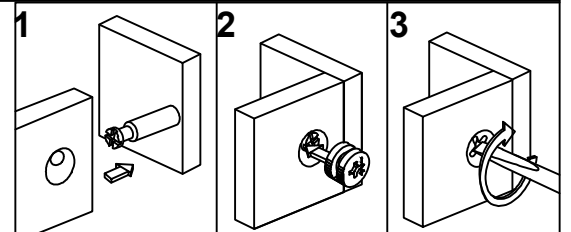
A	x5
	
<b>Ø6x36mm</b>	


K	x6
	
<b>Ø4x35mm</b>	

N	x1
	
<b>M4x15mm</b>	

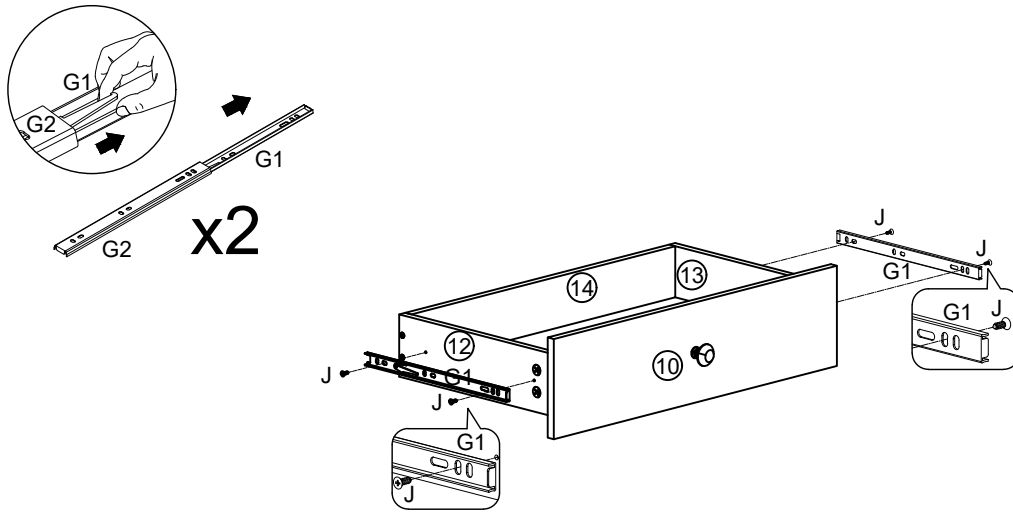
H	x1
	



2



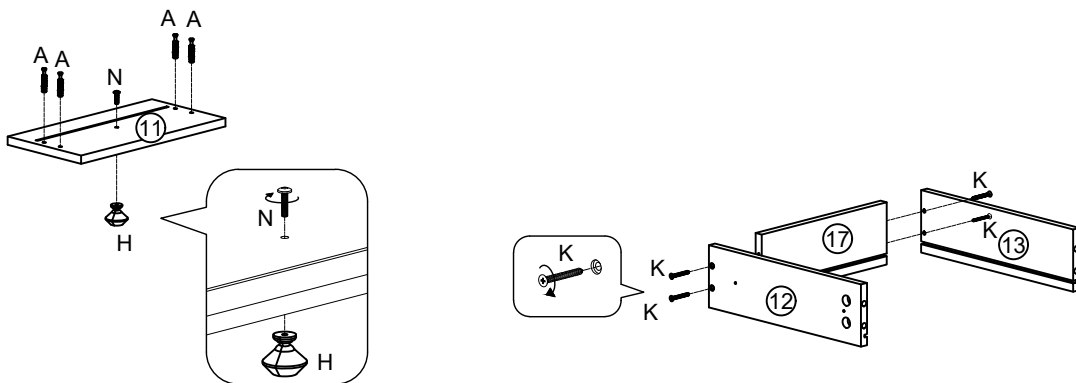
B	x5
	
<b>Ø15x9.5mm</b>	


3





J	4	G1	2
			
Ø3.5x12mm			


4



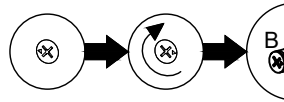
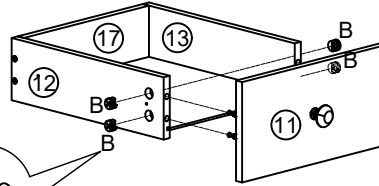
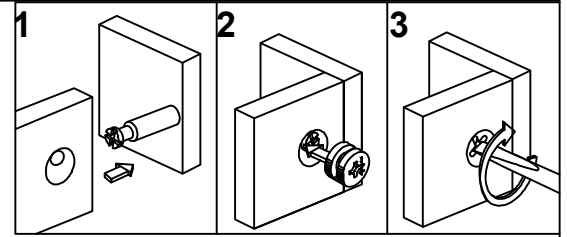
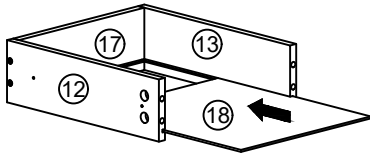
A	x4
	
Ø6x36mm	


K	x4
	
Ø4x35mm	

N	x1
	
M4x15mm	

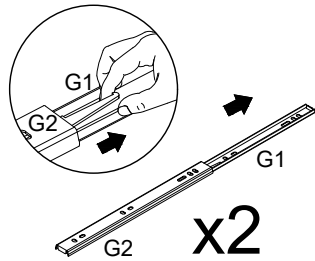
H	x1
	

5

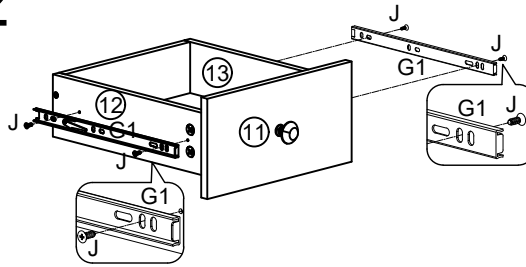



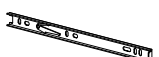
B	x4
	
$\text{Ø}15 \times 9.5 \text{mm}$	

6

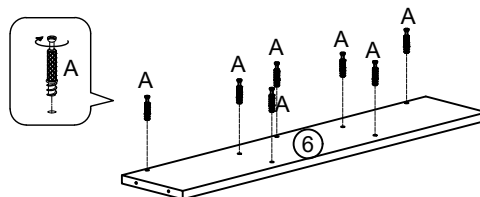



x2



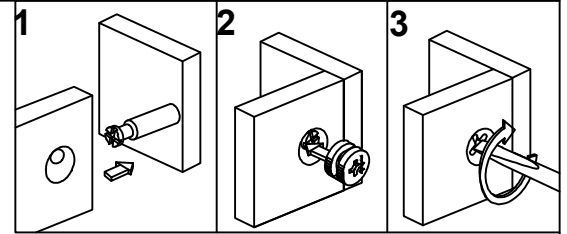
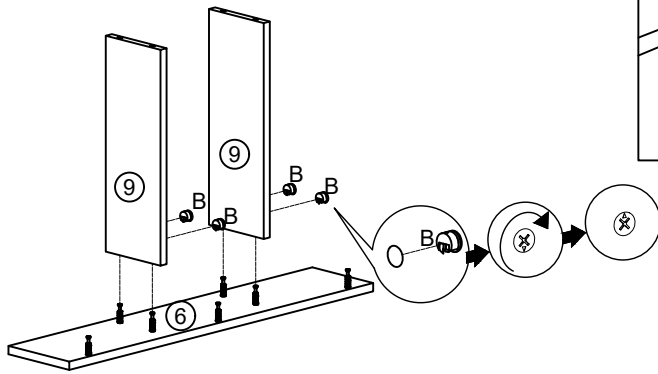
J	4	G1	2
			
$\text{Ø}3.5 \times 12 \text{mm}$			


7



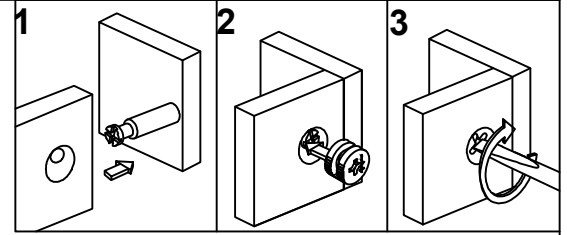
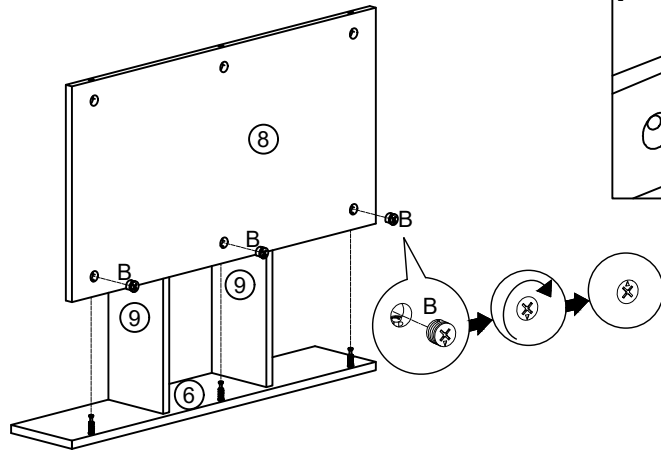
A	x7
	
$\text{Ø}6 \times 36 \text{mm}$	


8



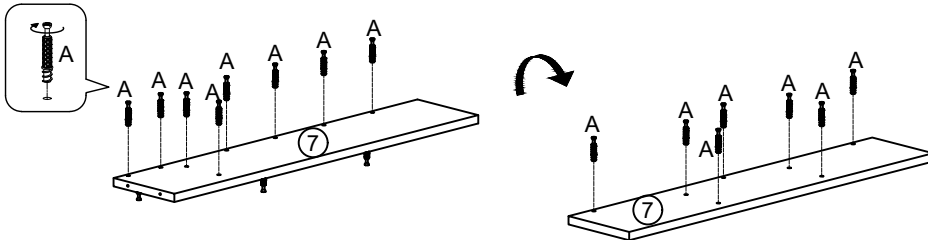
<b>B</b>	<b>x4</b>
	
$\text{Ø}15 \times 9.5 \text{mm}$	


9



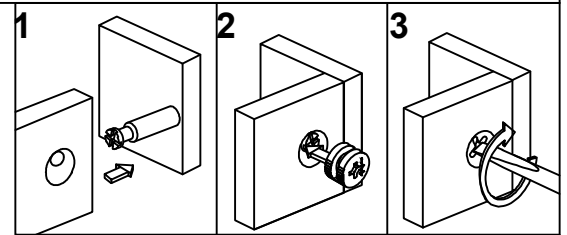
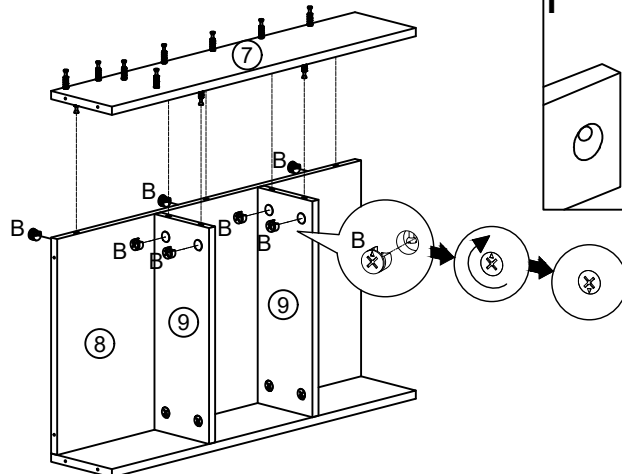
<b>B</b>	<b>x3</b>
	
$\text{Ø}15 \times 9.5 \text{mm}$	


10



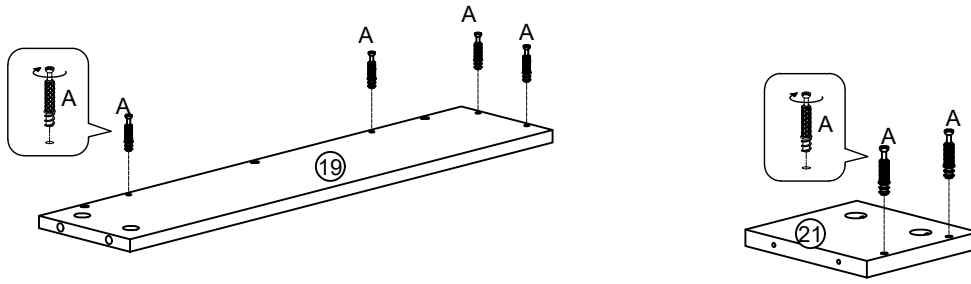
<b>A</b>	<b>x15</b>
	
$\text{Ø}6 \times 36 \text{mm}$	


11



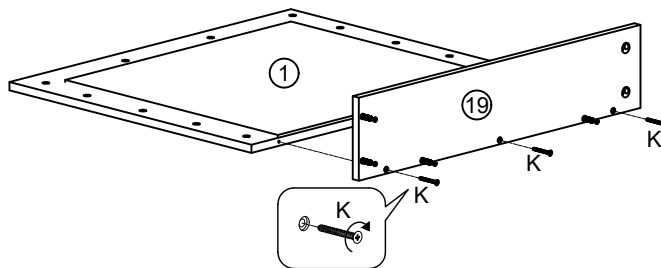
<b>B</b>	<b>x7</b>
	
$\text{Ø}15 \times 9.5 \text{mm}$	


12



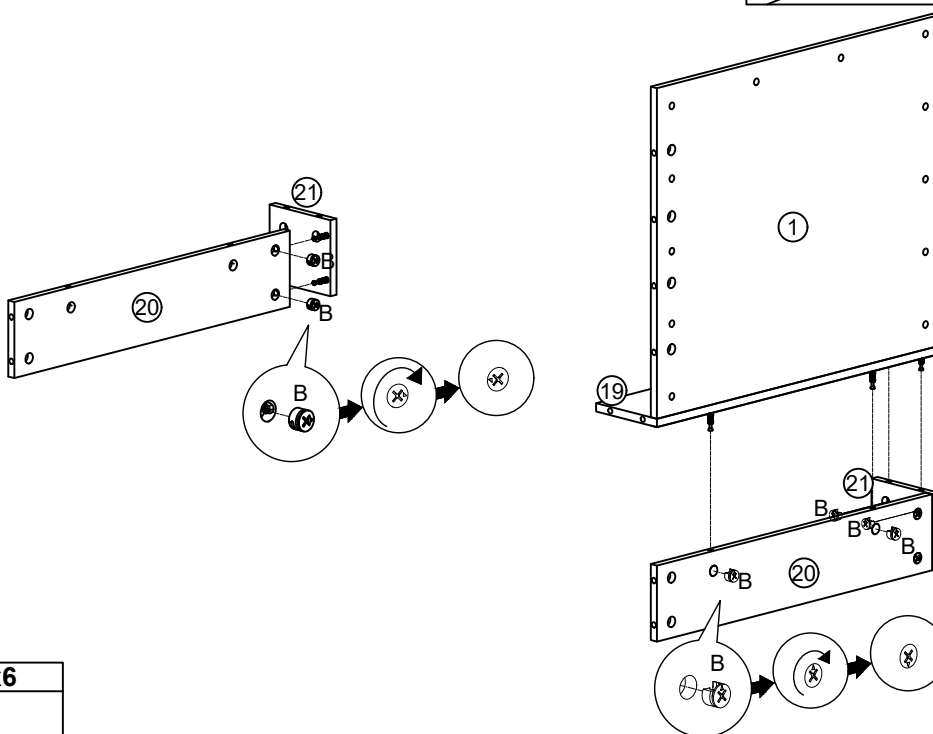
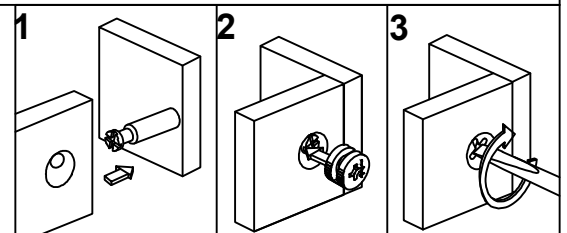
A	x6
	
Ø6x36mm	


13



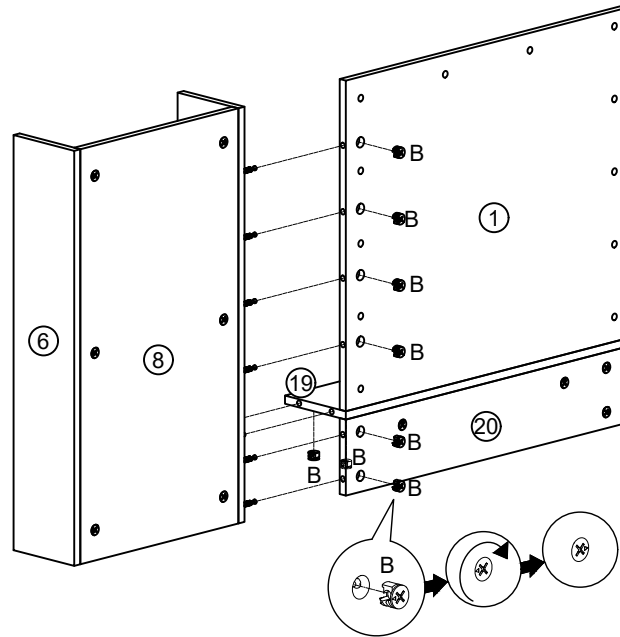
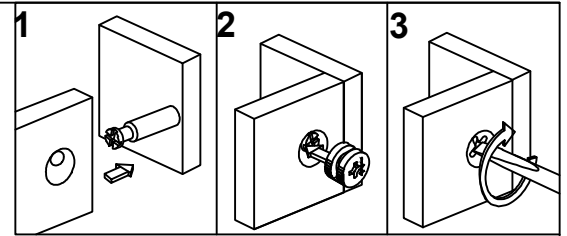
K	x3
	
Ø4x35mm	


14



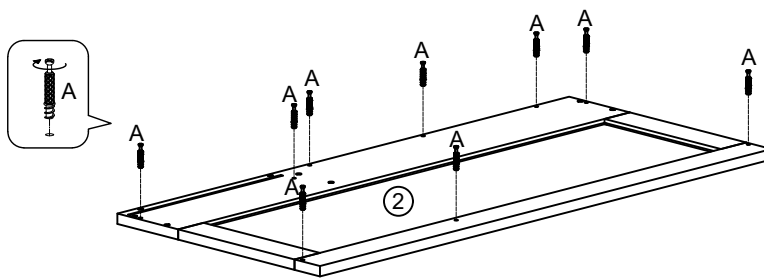
B	x6
	
Ø15x9.5mm	


15



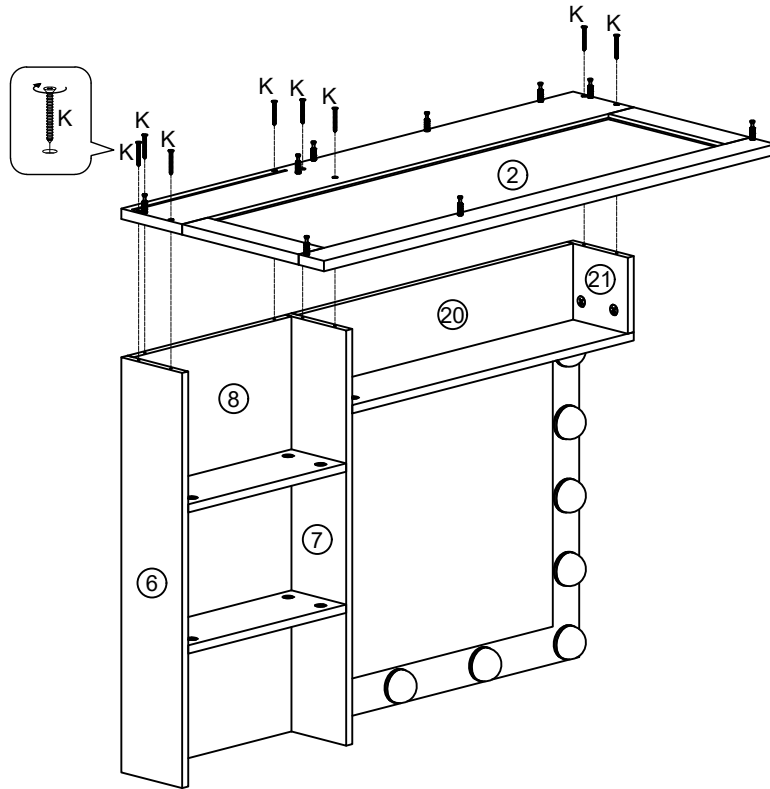
B	x8
	
$\text{\O}15 \times 9.5 \text{mm}$	


16



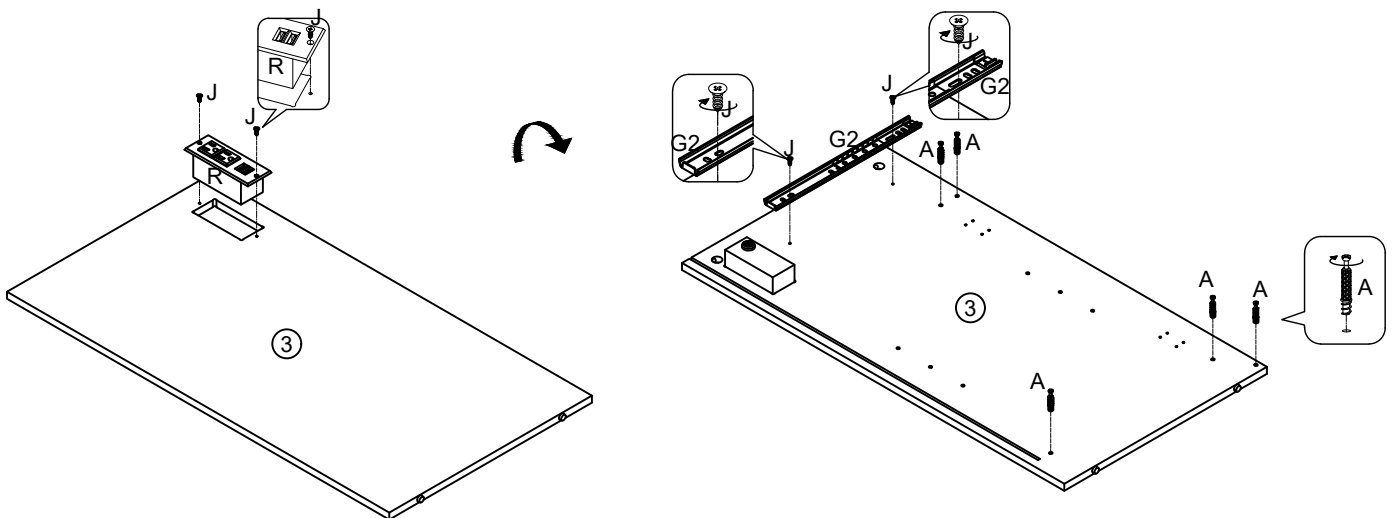
A	x9
	
$\text{\O}6 \times 36 \text{mm}$	



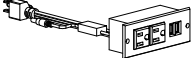
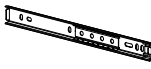
17



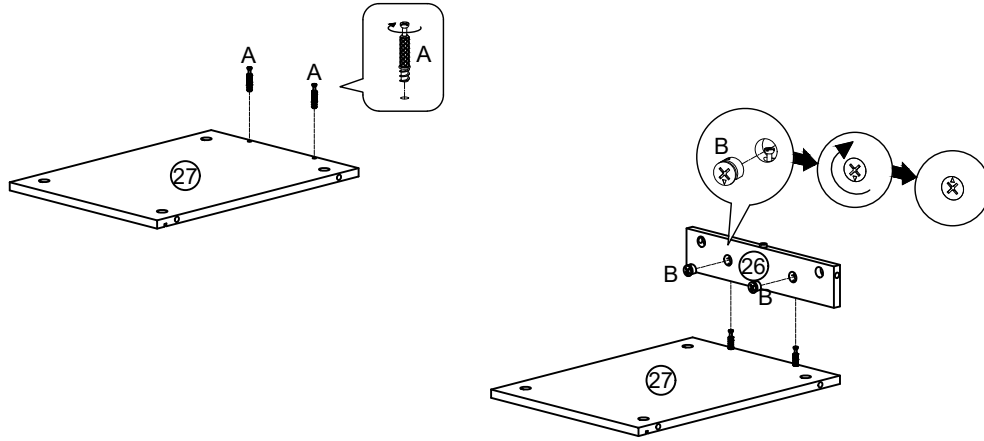
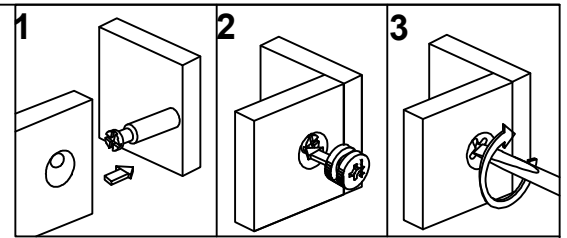
K	x8
	
<b>Ø4x35mm</b>	



18



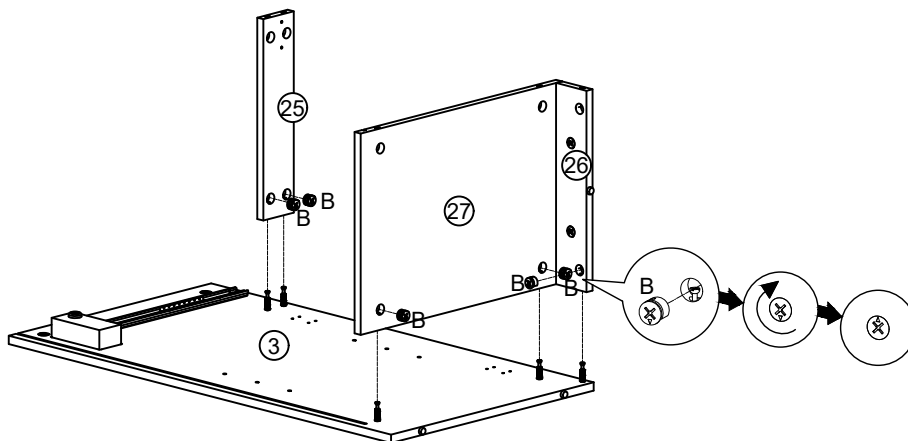
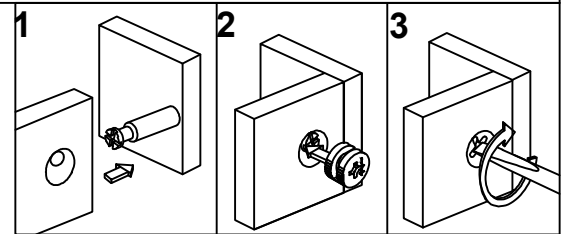
A	x5	J	x4	R	x1	G2	1
							
<b>Ø6x36mm</b>		<b>Ø3.5x12mm</b>					


19



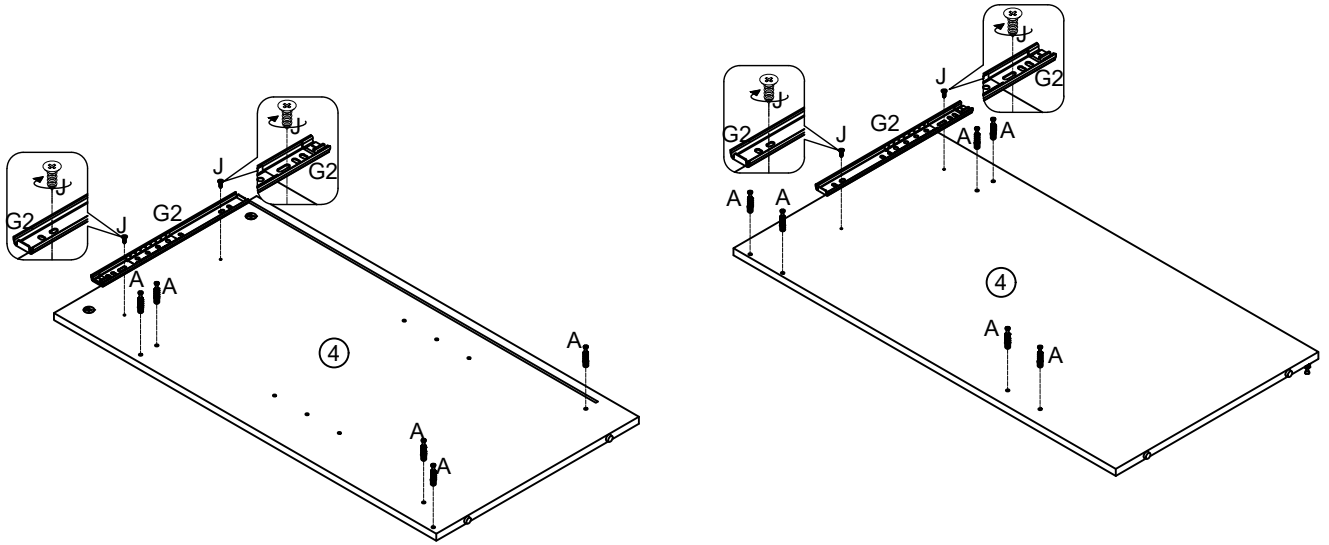
<b>B</b>	<b>x2</b>	<b>A</b>	<b>x2</b>
			
$\text{\O}15 \times 9.5 \text{mm}$		$\text{\O}6 \times 36 \text{mm}$	

20



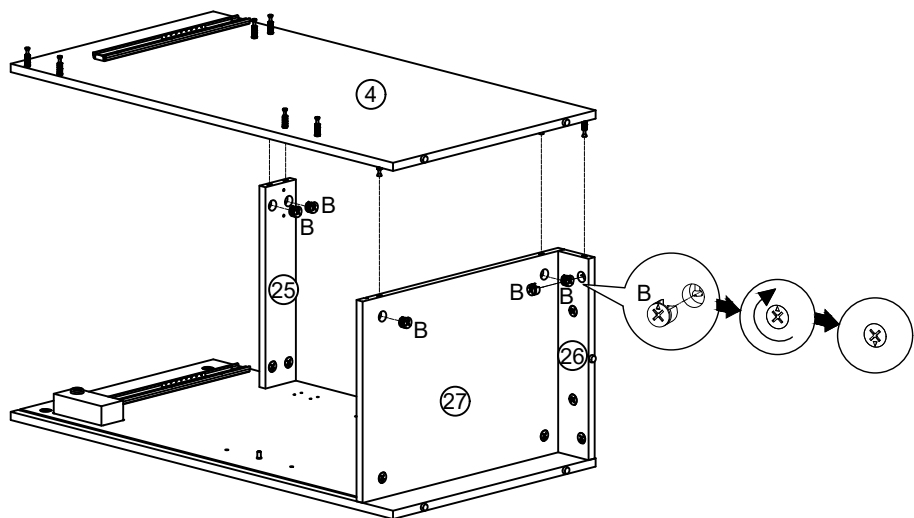
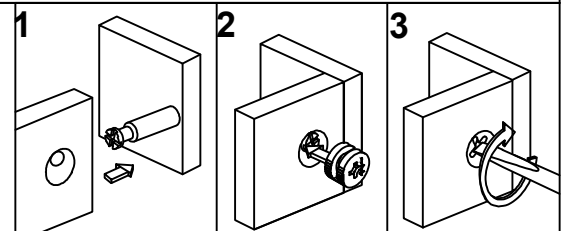
<b>B</b>	<b>x5</b>
	
$\text{\O}15 \times 9.5 \text{mm}$	

21



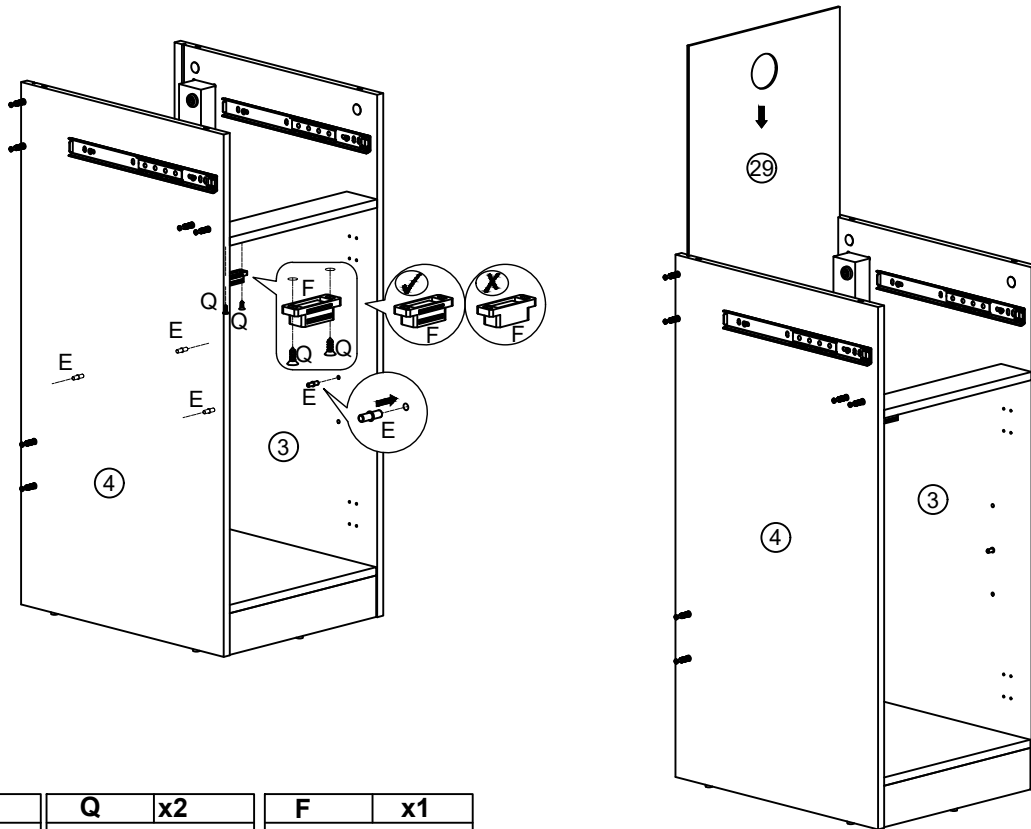
<b>A</b>	<b>x11</b>	<b>J</b>	<b>x4</b>	<b>G2</b>	<b>2</b>
Ø6x36mm		Ø3.5x12mm			

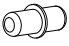

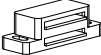
22



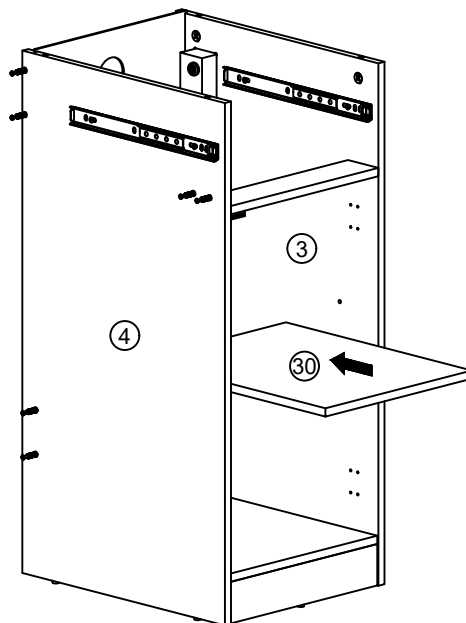
<b>B</b>	<b>x5</b>
Ø15x9.5mm	

23

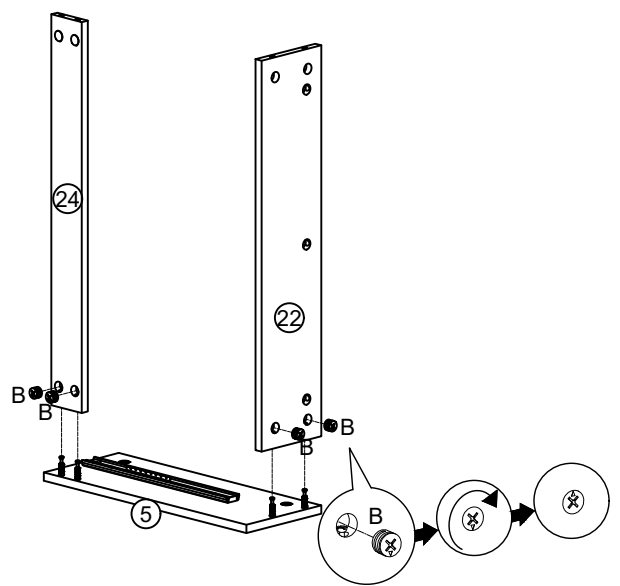
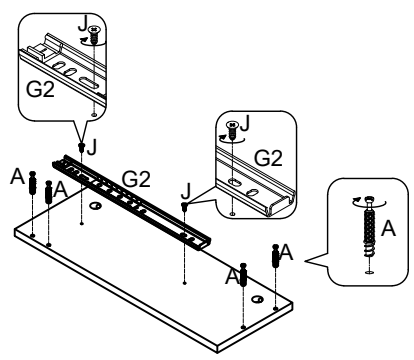
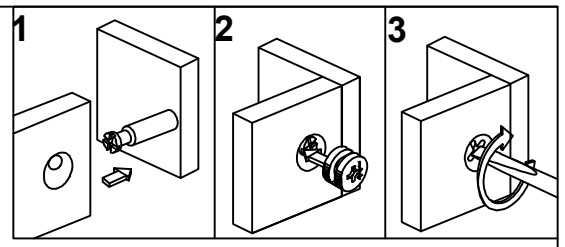


E	x4	Q	x2	F	x1
					
5mm		Ø3x15mm			

24

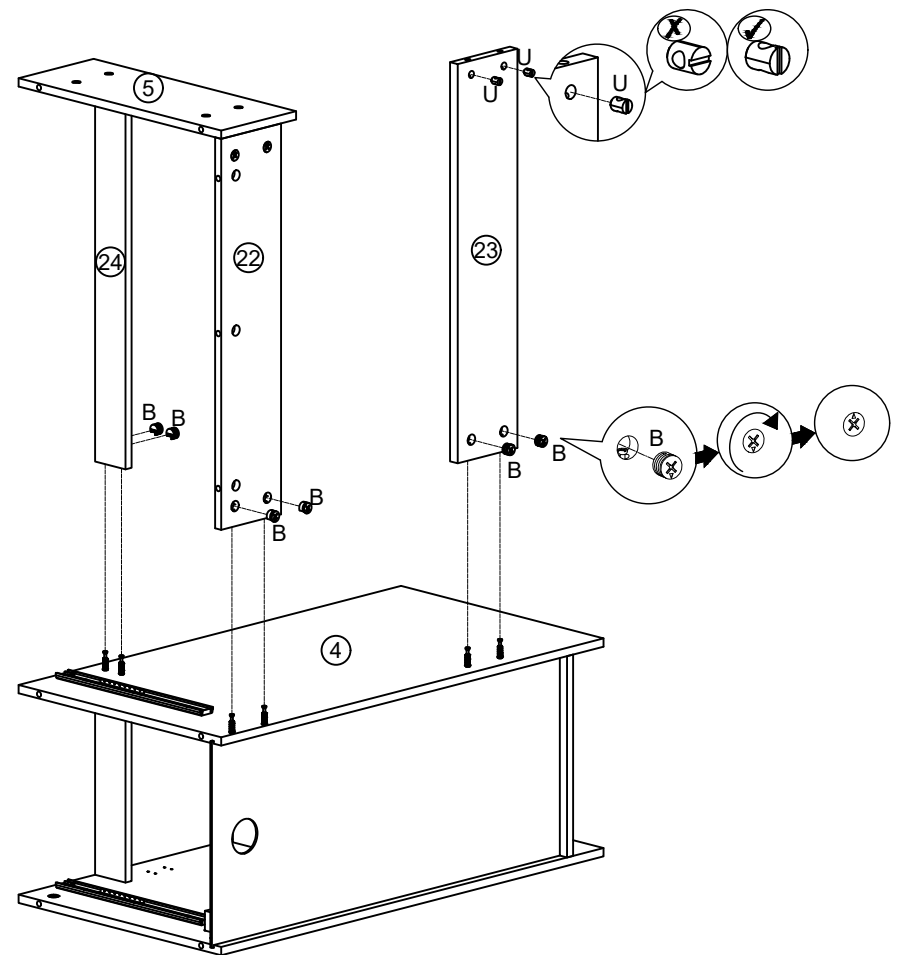


25



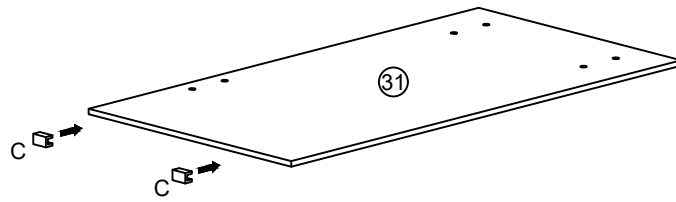
<b>A</b>	<b>x4</b>	<b>J</b>	<b>x2</b>	<b>B</b>	<b>x4</b>	<b>G2</b>	<b>1</b>
$\text{\O}6 \times 36 \text{mm}$		$\text{\O}3.5 \times 12 \text{mm}$		$\text{\O}15 \times 9.5 \text{mm}$			

26



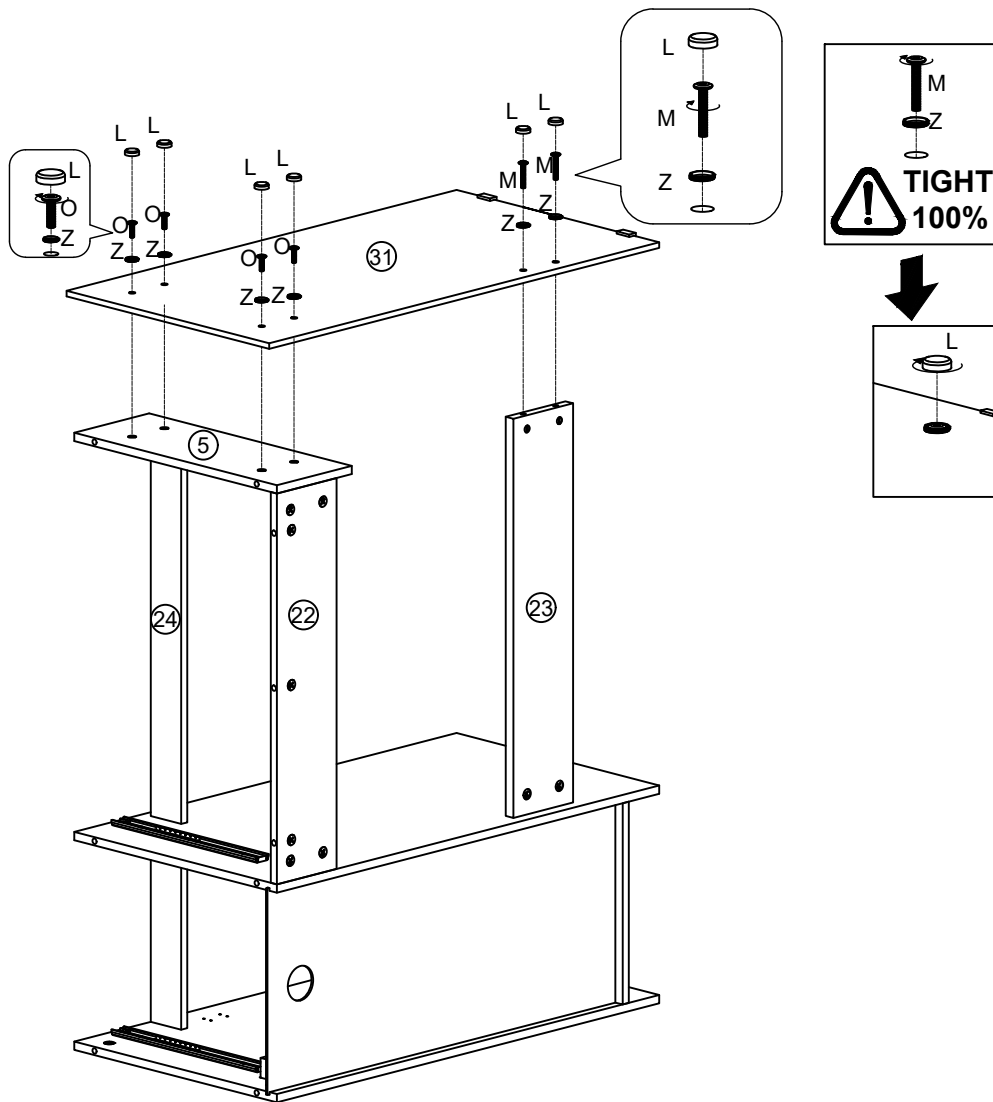
<b>B</b>	<b>x6</b>	<b>U</b>	<b>x2</b>
$\text{\O}15 \times 9.5 \text{mm}$			

27

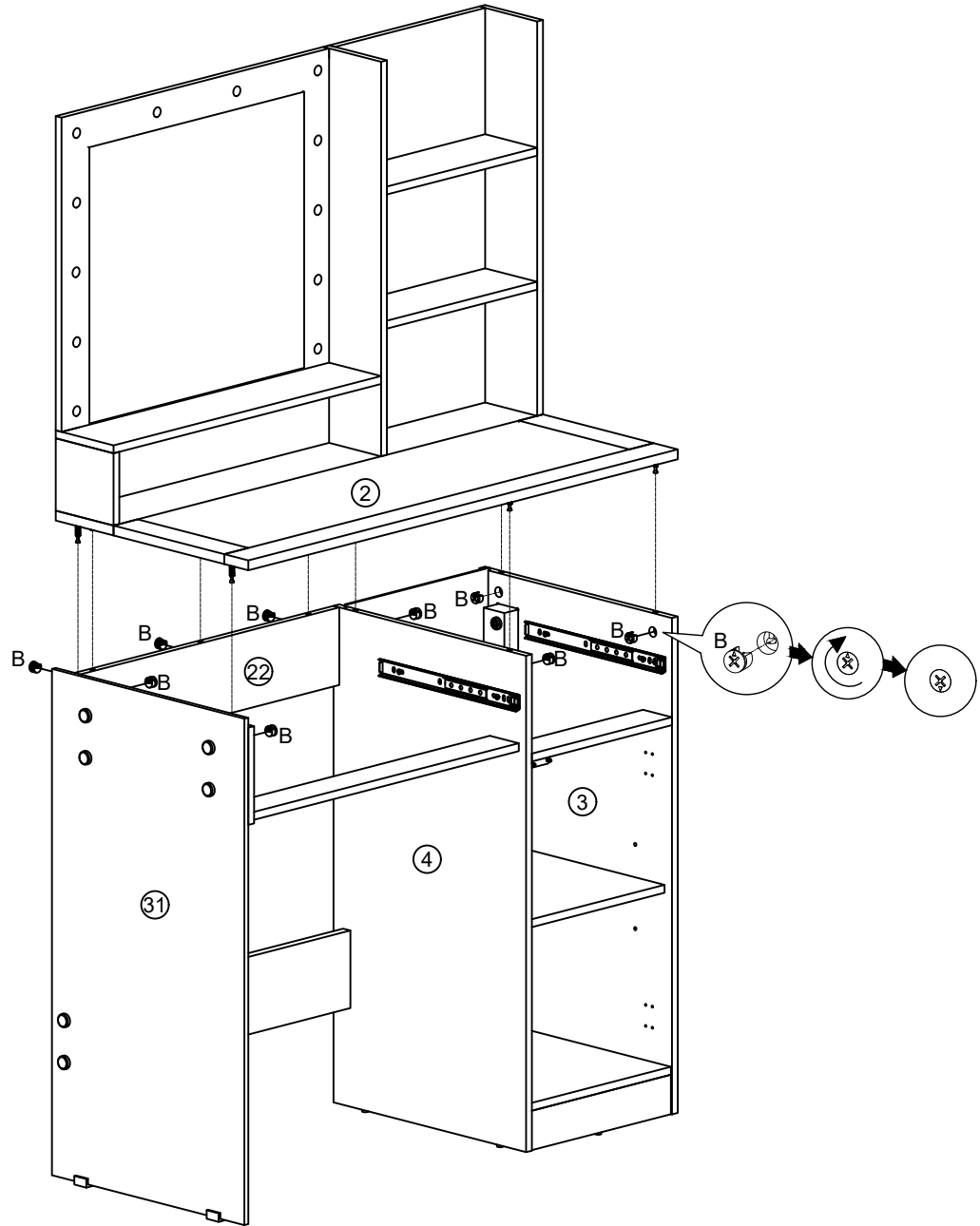
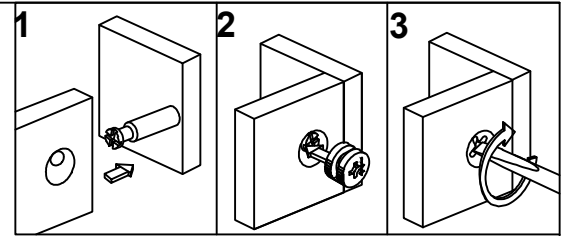



C	x2

28

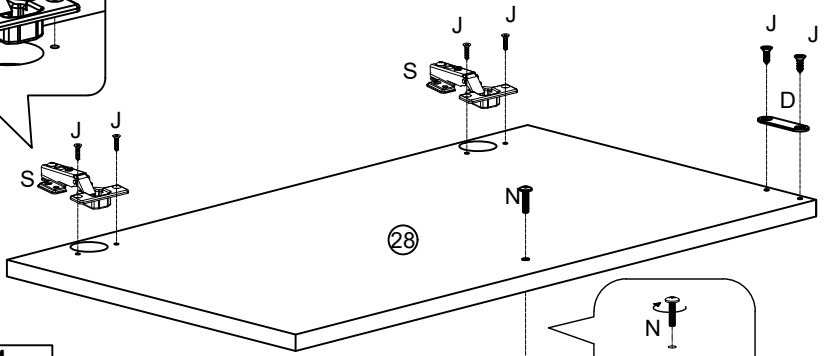
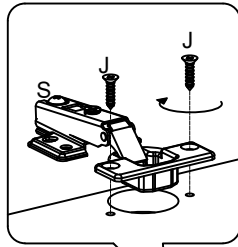


L	x6	M	x2	O	x4	Z	x6
M6x35mm		M6x20mm					



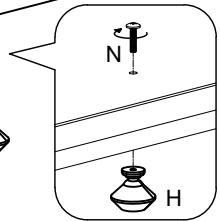
B	x9
	
Ø15x9.5mm	

30

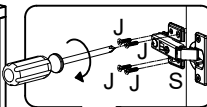
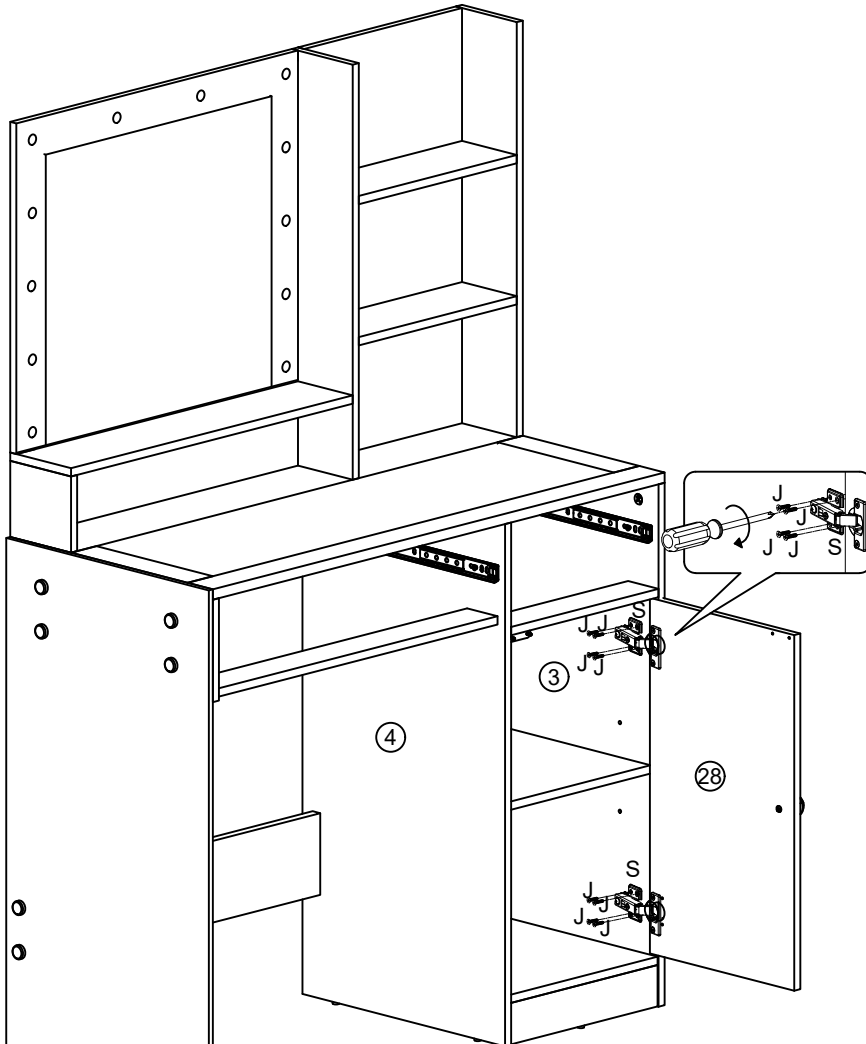


N	x1	H	x1
M4x15mm			

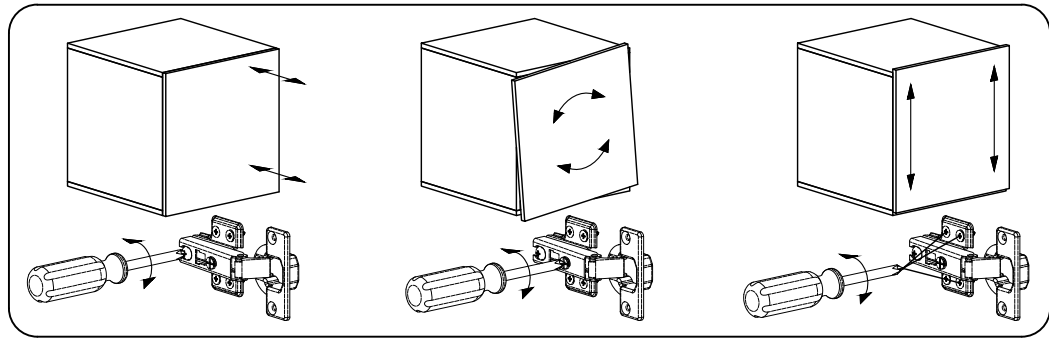
J	x6	S	x2	D	x1
Ø3.5x12mm					

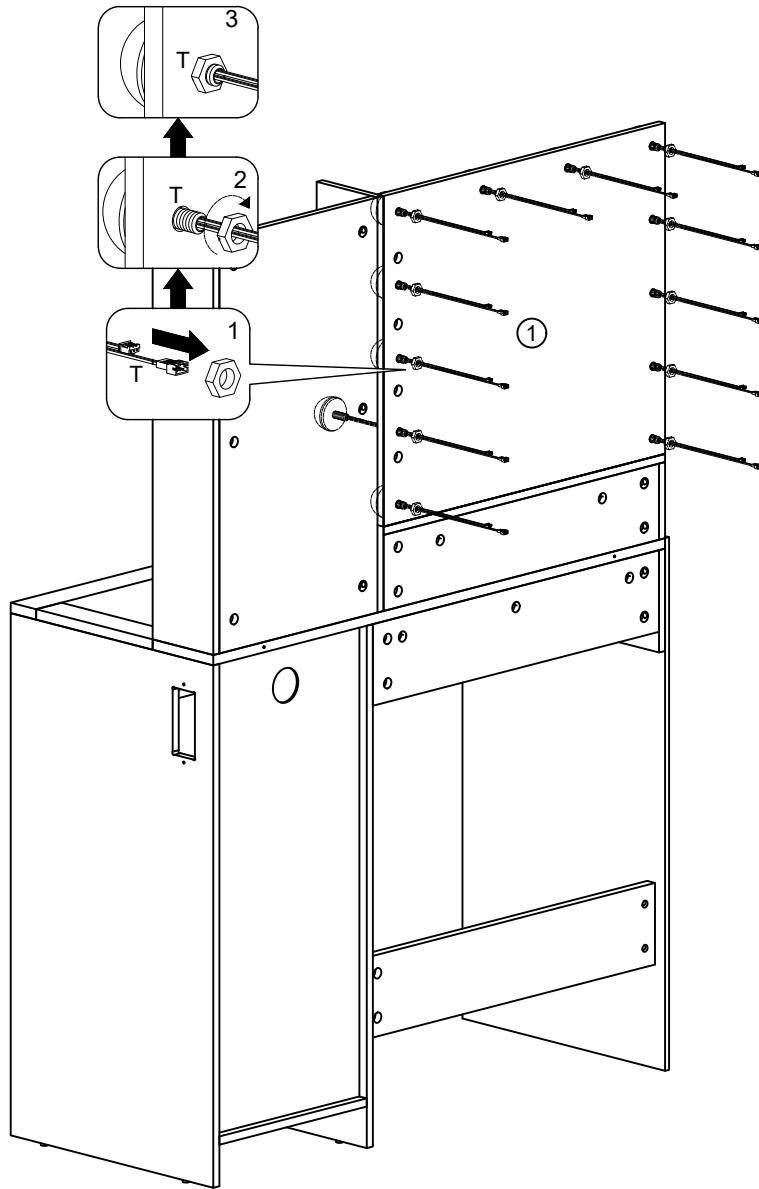


31

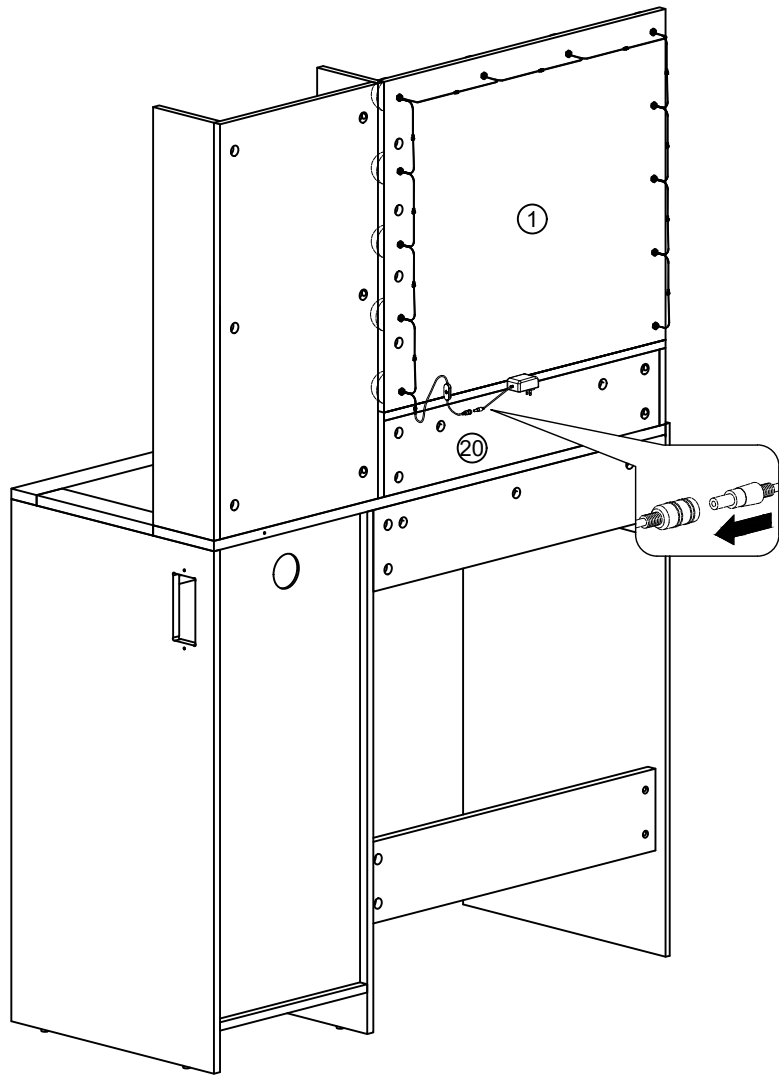


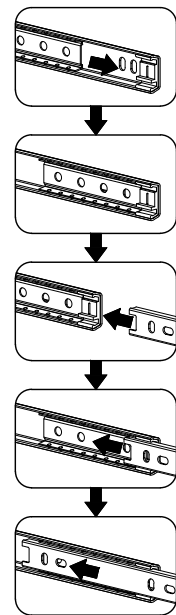
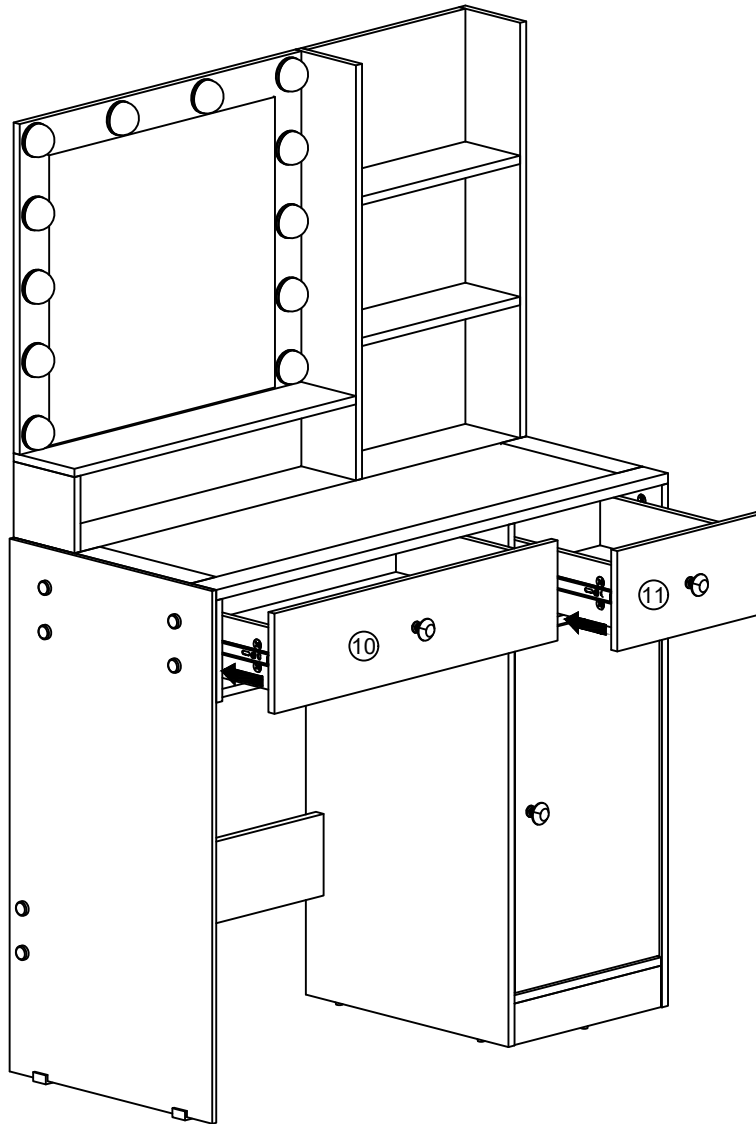
J	x8
Ø3.5x12mm	

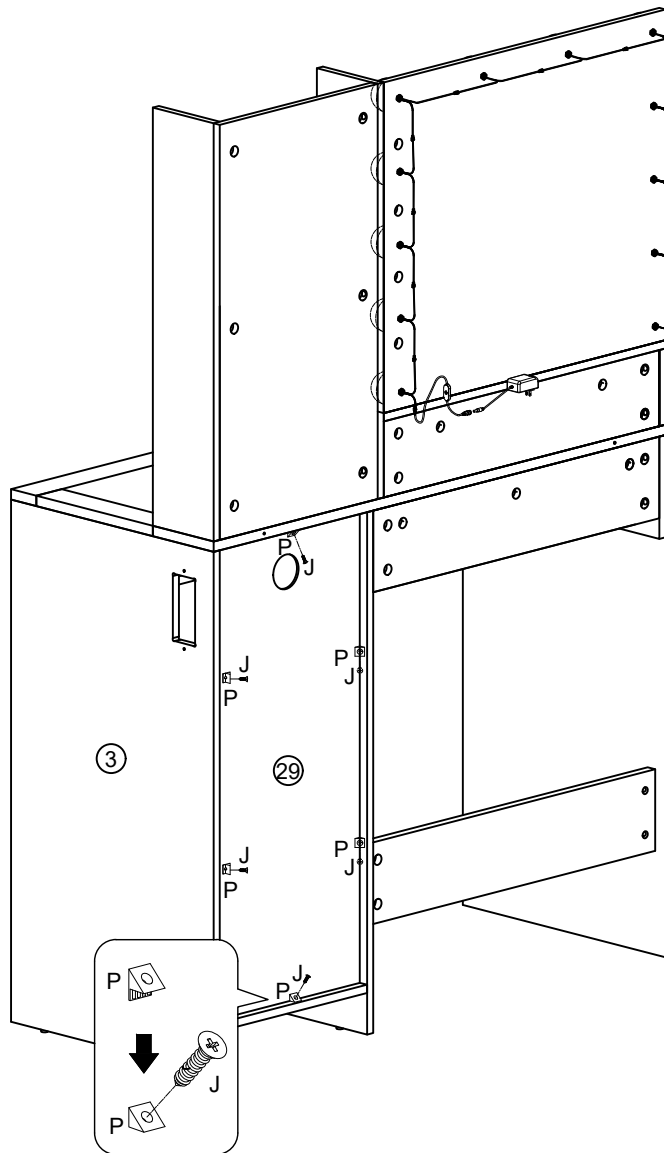





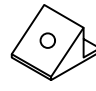
T	x1

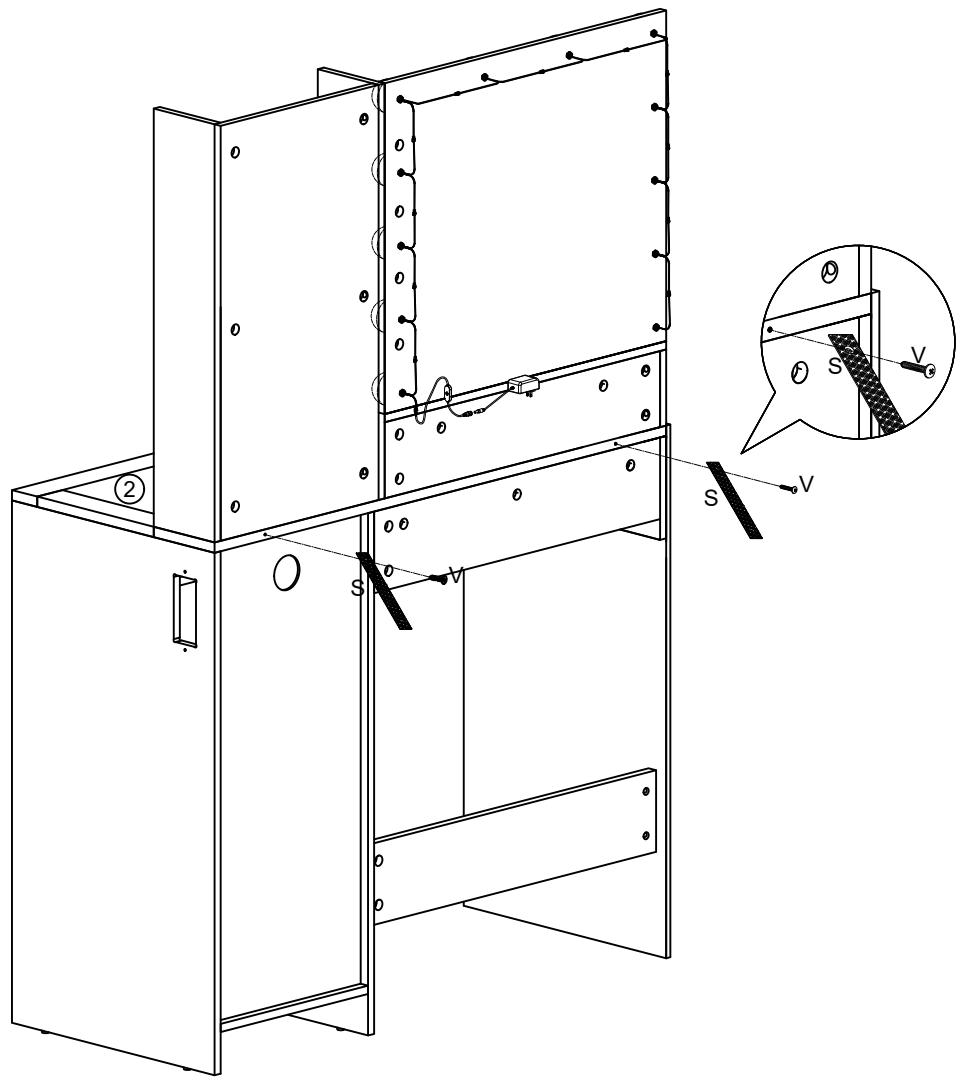








J	x6
	
Ø3.5x12mm	

P	x6
	



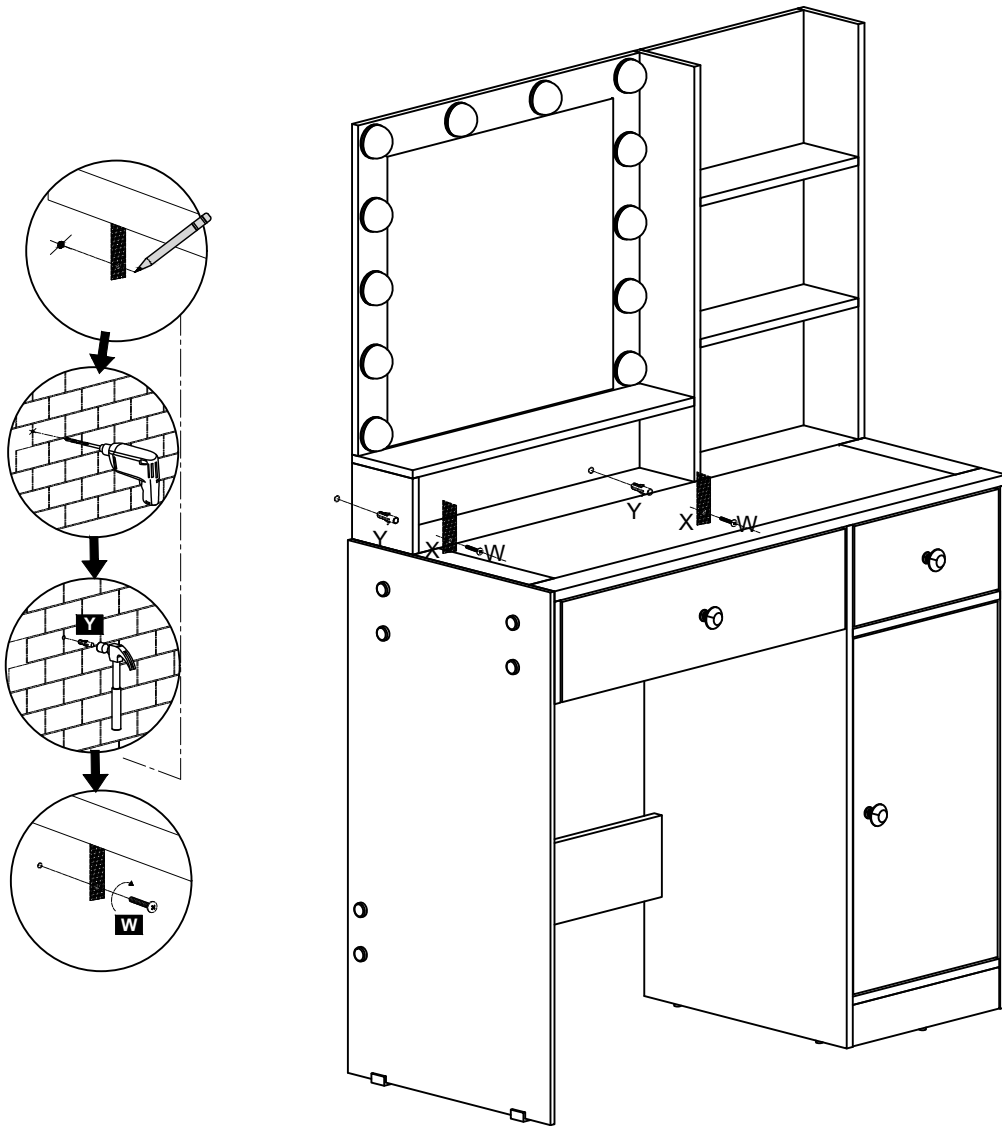
V	x2	X	x2
			
<p>Φ4x14mm</p>			


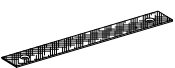

The first step is to put the cabinet close to the wall to find the positions of two holes corresponding to the wall;

The second step is to punch the corresponding holes on the wall with a drill;

The third step is to hammer the expanded plastic Y into the wall;

The fourth step is to lock the anti-reverse tape X with a  $\Phi 4 \times 45 \text{mm}$  round-head tapping screw W.



W	x2	X	x2	Y	x2
					
$\Phi 4 \times 45 \text{mm}$					