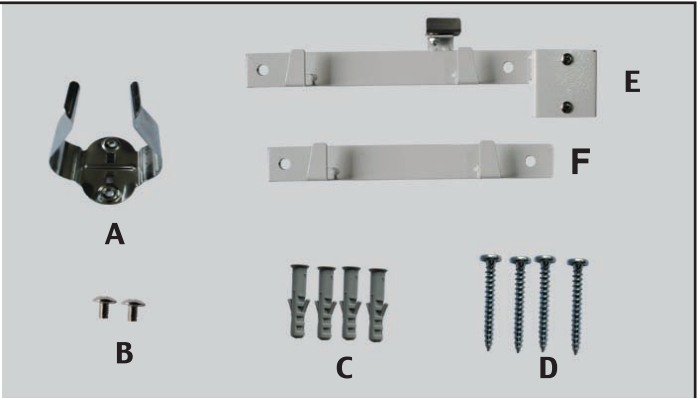
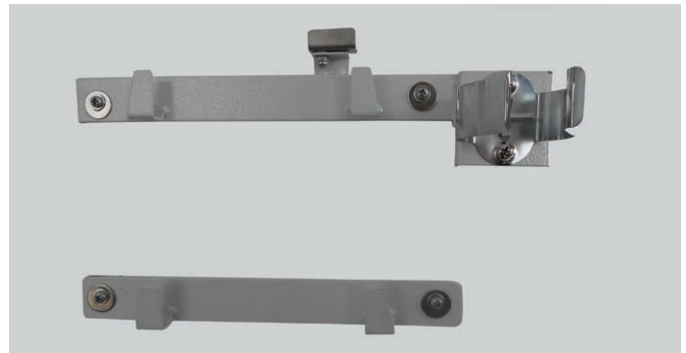


Part list:

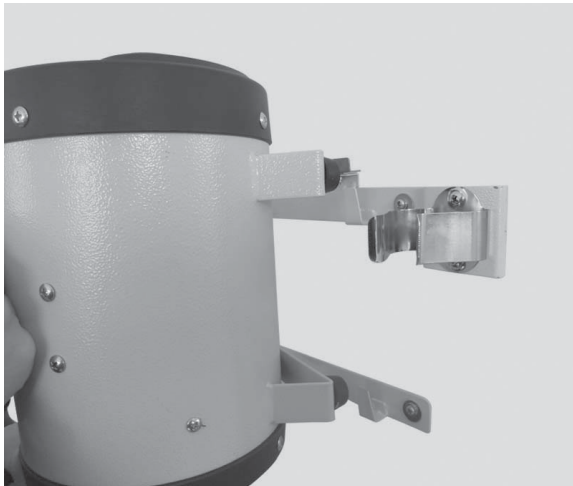
- A) Dryer hose bracket (1)
- B) Small screws (2)
- C) Plastic screw anchors (4)
- D) Large screws (4)
- E) Large metal bracket (1)
- F) Small metal bracket (1)



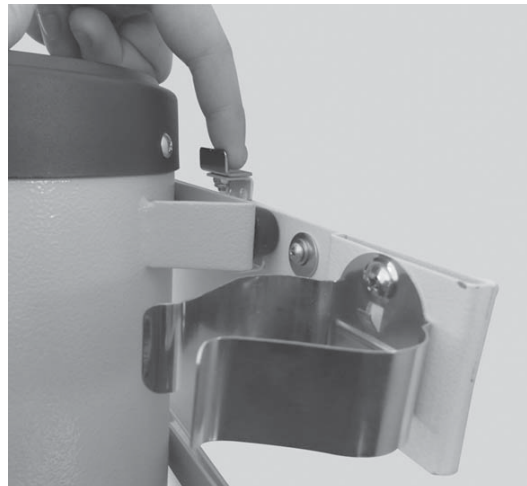
1. Attach the large metal bracket (E) to the wall (at the appropriate height) using the large screws (C) with the plastic screw anchors (D). You will need to first mark your two holes on the wall and then drill the holes so that the plastic screw anchors (D) can be placed within. Repeat the same action as above with the small metal bracket (F).



2. Find the dryer hose bracket (A) and attach it to the large metal bracket (E). Secure with the small screws (B).



3. Line up and attach the dryer to the metal brackets.



4. Turn the safety mechanism (on the dryer) clockwise to secure it to the mount.



5. Dryer hose attachment easily fits into dryer hose bracket.

LIMITED WARRANTY

This Master Equipment™ FlashDry Wall Mount is warranted against defective material or workmanship for one year from the date of purchase. Any Master Equipment™ product that is determined to be defective in material or workmanship during the warranty period will be replaced without cost to the purchaser for parts or labor. Please contact PetEdge Customer Service at 1-800-638-5754 regarding any defective product. PetEdge will not be liable under this warranty for any defect, failure or malfunction of this product caused by normal wear, abuse, misuse, unauthorized adjustments or repairs. PetEdge will not be liable for any incidental or consequential damages of any type. Any implied warranty is limited to the one-year period provided in this express warranty. Some states do not allow limitations on how long an implied warranty lasts or exclusion or limitation of incidental or consequential damages, so the above limitations or exclusions may not apply to you. Warranty is void if product has been modified in any manner, repaired by anyone other than PetEdge or has been subject to unreasonable use. Warranty is valid in the United States.