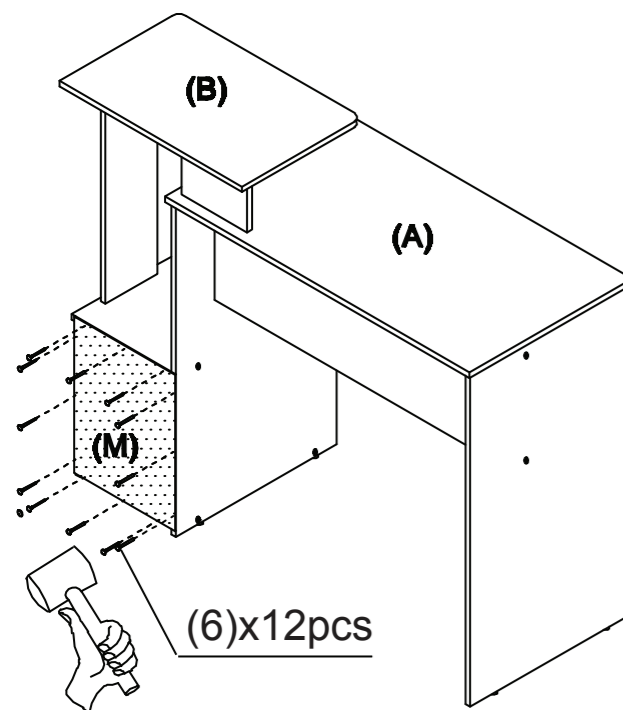


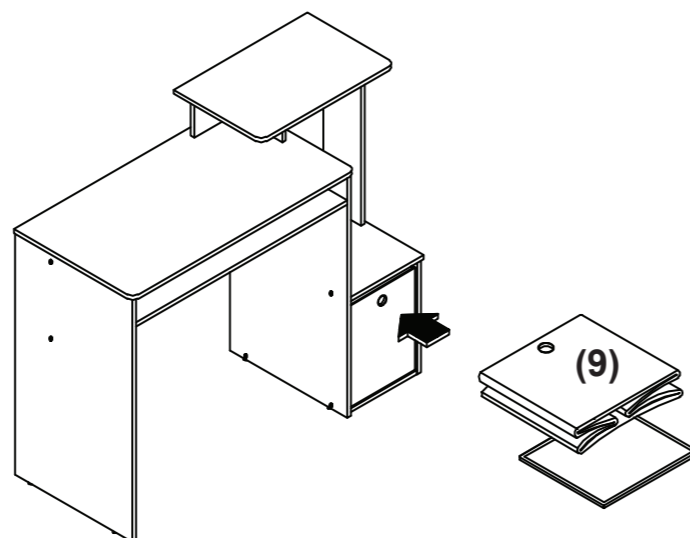
**STEP 13**

Attach Back Panel (M) to the back of assembled unit using Power Pin (6).

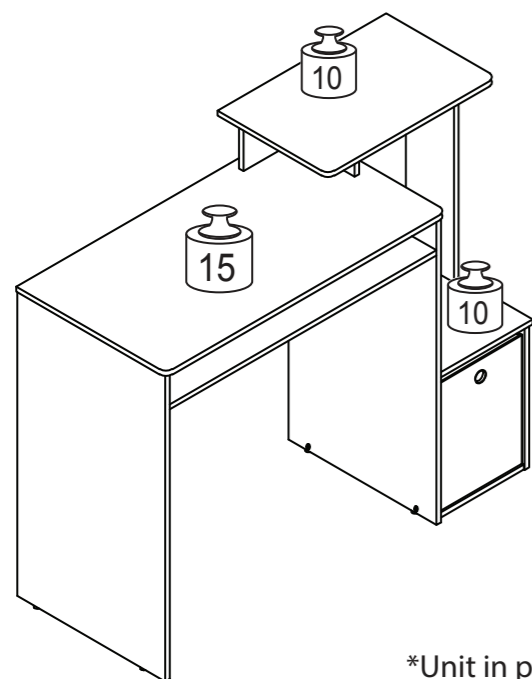


**STEP 14**

Unfold Bin (9) and slide into the shelf.



Recommended Maximum Weight



\*Unit in pound (lbs)

**WARNING:**

>This unit has been designed to support the maximum loads shown. Exceeding these load limits could cause sagging, instability, product collapse, and/or serious injury.

>DO NOT allow children to climb on unit.

>Put heavier items on lower shelves.

**Assembly Instruction**

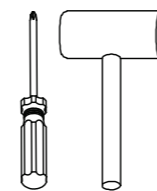
Multipurpose Home Office Computer Writing Desk w/Bin

00:30

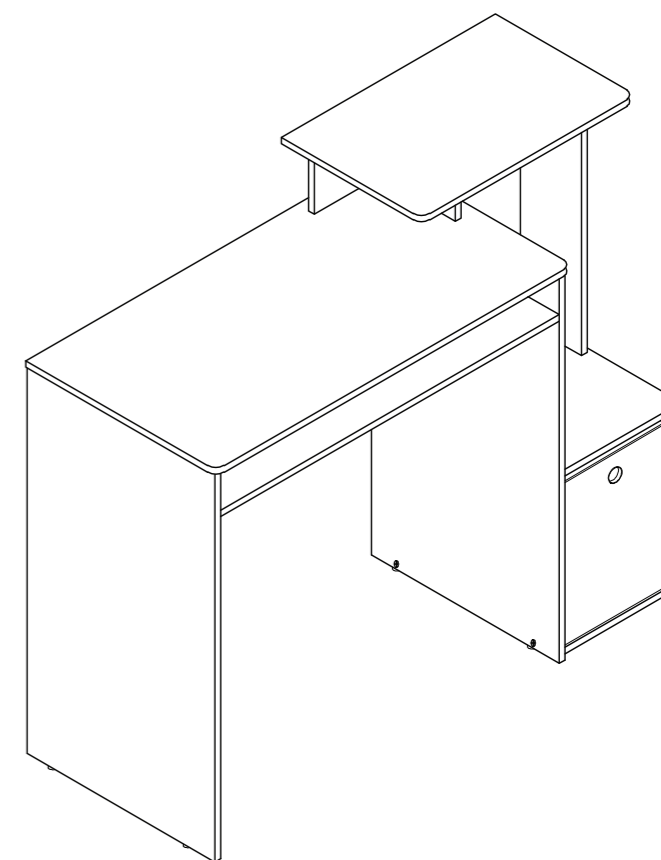
Approx. 30 minutes

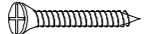

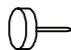


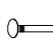







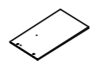
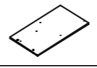




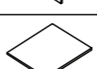



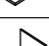
Recomm. 2 Person

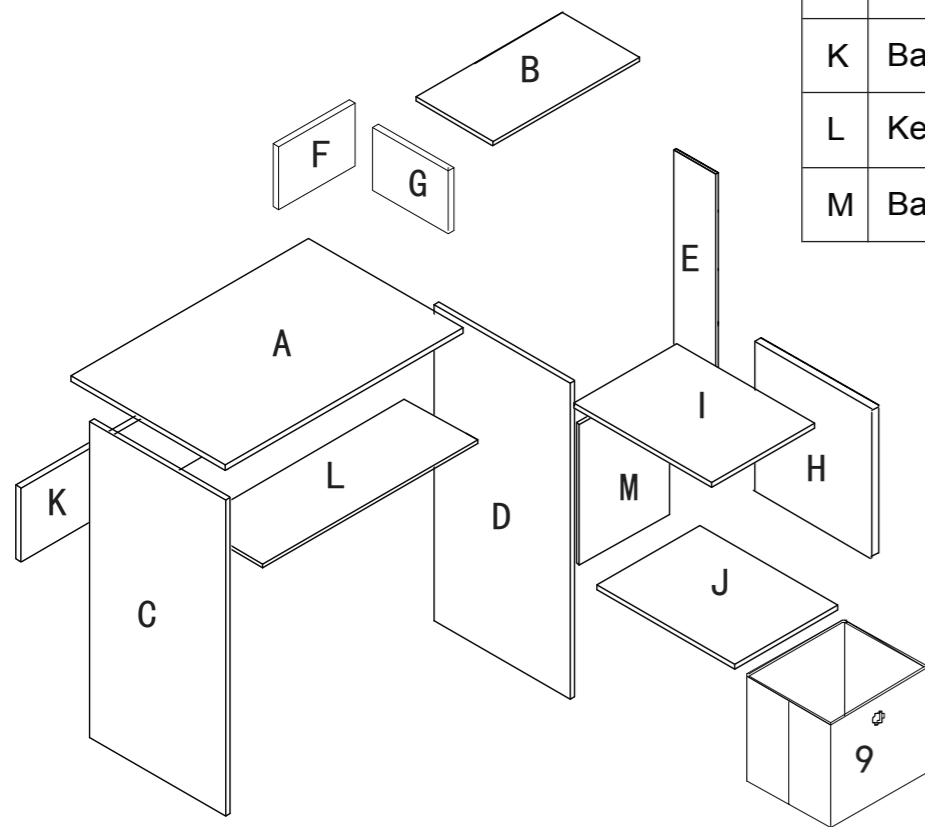


Tool Required



No	Hardware List	Qty
1	Screw 	18pcs
2	Dowel 	12pcs
3	Nail Leg 	6pcs
4	Cam-Lock Nut 	7pcs
5	Cam-Lock Screw 	7pcs
6	Power Pin 	12pcs
7	Drawer Slide 	1set
8	Keyboard Screw 	8pcs
9	Non-Woven Bin 	1pc

No	Parts List	Qty
A	Top Panel 1 	1pc
B	Top Panel 2 	1pc
C	Left Side Panel 	1pc
D	Right Side Panel 	1pc
E	Side Support Panel 	1pc
F	Top Support Panel 1 	1pc
G	Top Support Panel 2 	1pc
H	Bottom Side Panel 	1pc
I	Shelf Panel 	1pc
J	Bottom Panel 	1pc
K	Back Panel 	1pc
L	Keyboard Panel 	1pc
M	Back Cover 	1pc

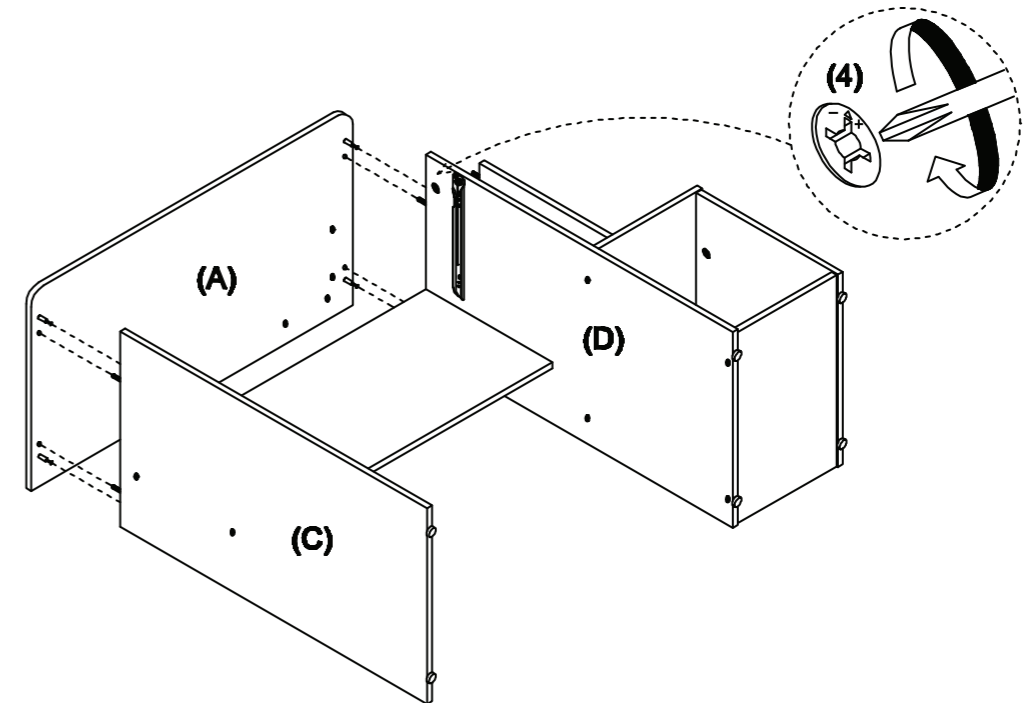


**USEFUL HINTS BEFORE YOU START:**

1. Read each step carefully before starting.
2. It is important that each step is performed in correct order to avoid difficulties.
3. Identify, sort and count the parts before assembly.
4. Assemble your furniture on packaging cardboard to prevent scratch or damage.
5. Clean the product with mild cleanser using soft damped cloth. Do not use harsh or abrasive cleanser.
6. Using incompatible hardware might cause damage to product.

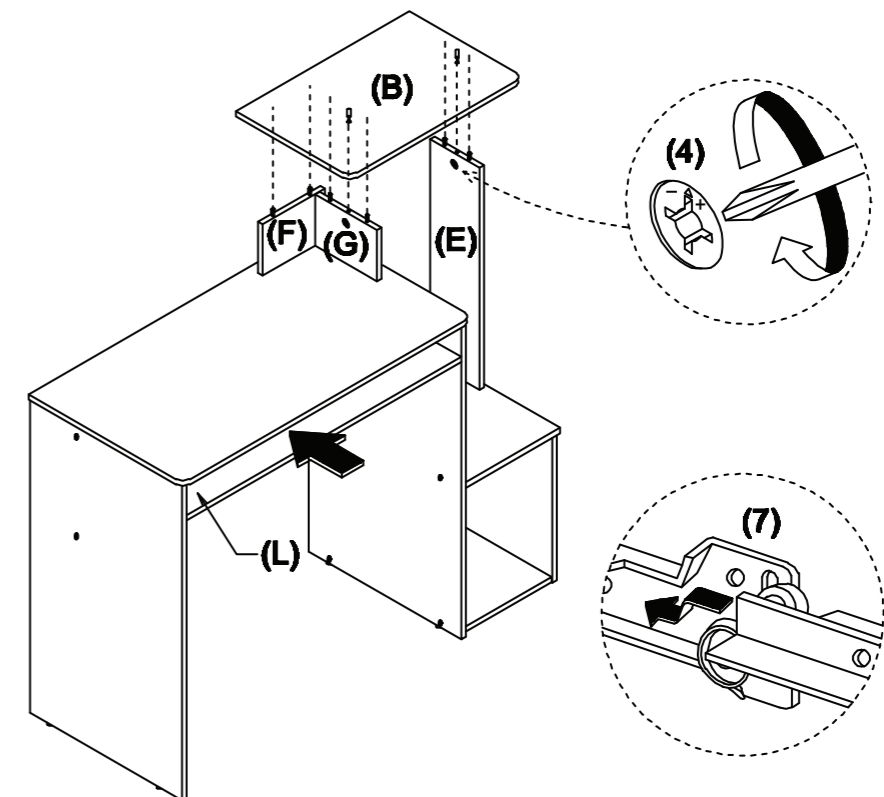
**STEP 11**

Attach Panel (A) to Panel (C)&(D) and tighten Cam-Lock Nut (4) using screwdriver.



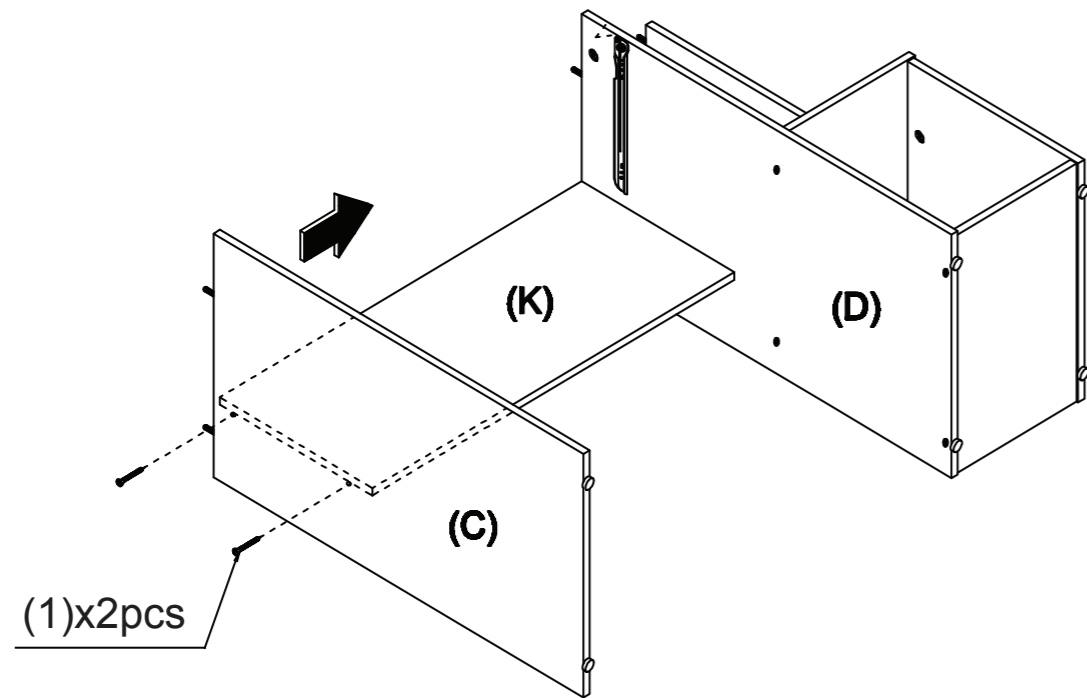
**STEP 12**

- 12.1 Upright the unit and slide in Keyboard Panel (L).
- 12.2 Attach Panel (B) to Panel (E)(F)&(G) and tighten Cam-Lock Nut (4) using screwdriver.



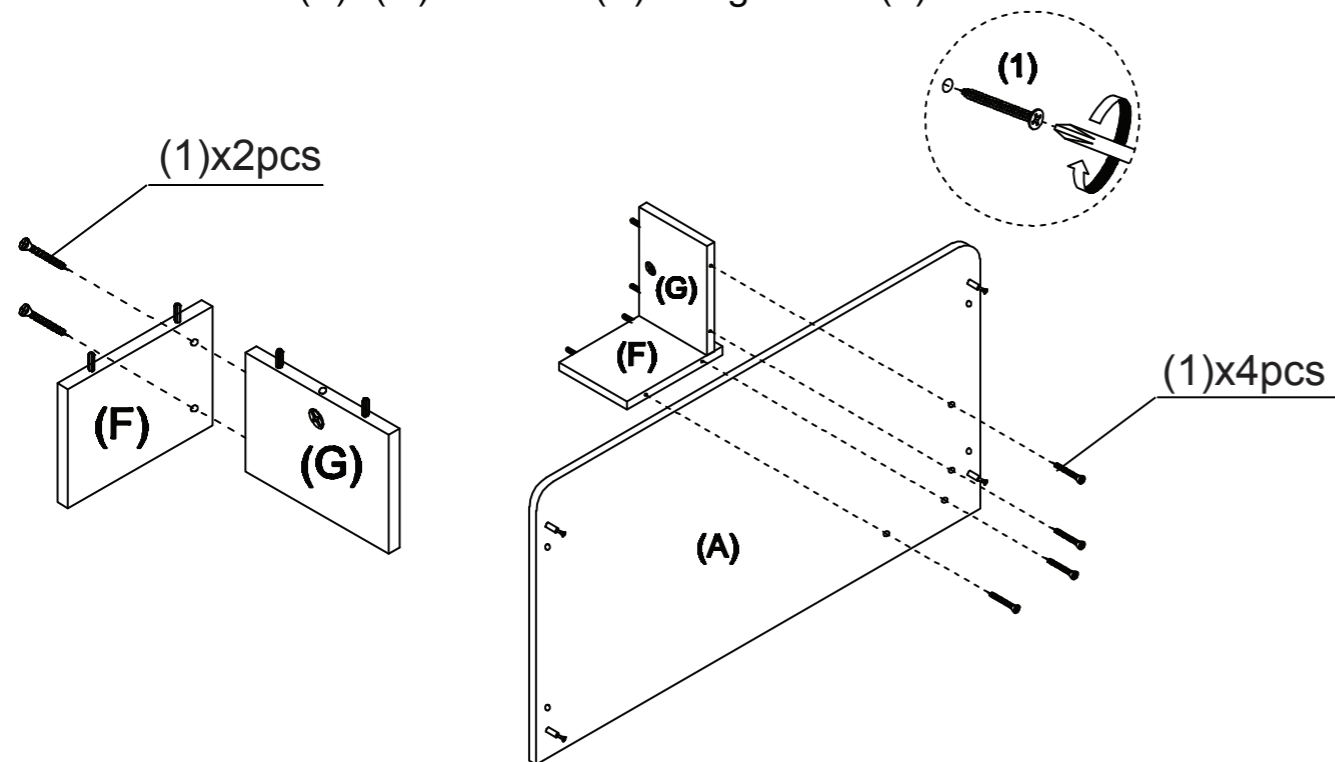
### STEP 9

Attach Panel (C) to the assembled unit using Screw (1).



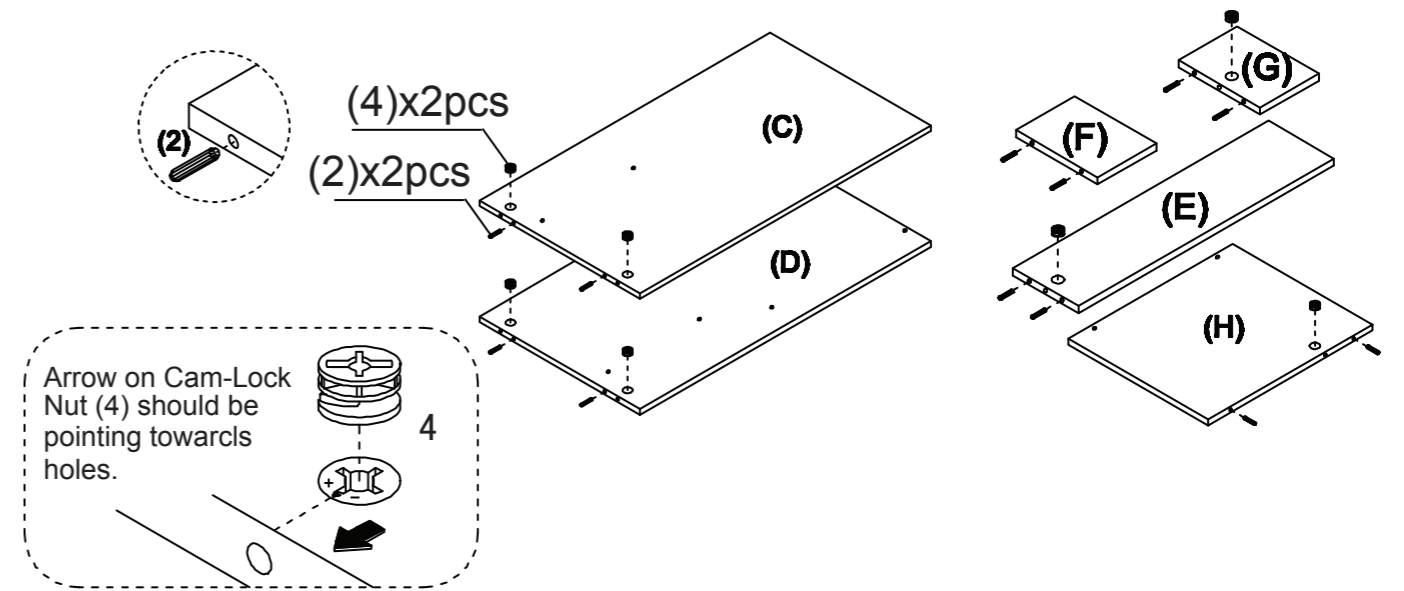
### STEP 10

- 10.1 Attach Panel (G) to Panel (F) using Screw (1).
- 10.2 Attach Panel (F)&(G) to Panel (A) using Screw (1).



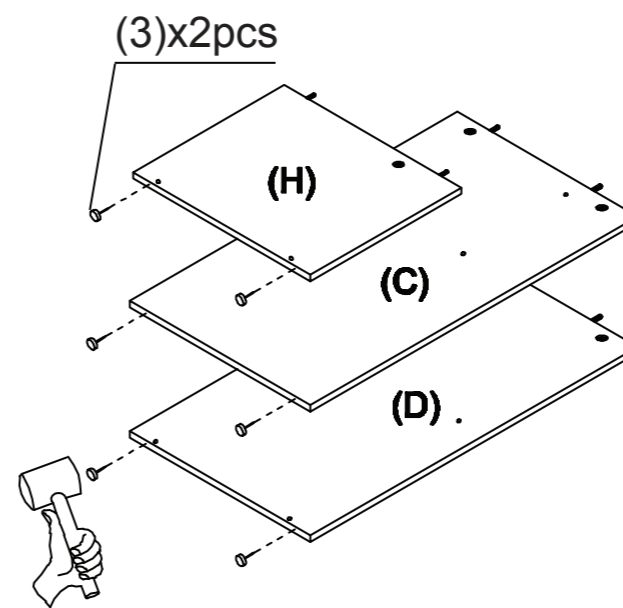
### STEP 1

Insert Dowel (2) and Cam-Lock Nut (4) into the pre-drilled holes on Panel (C,D,E,F,G&H).



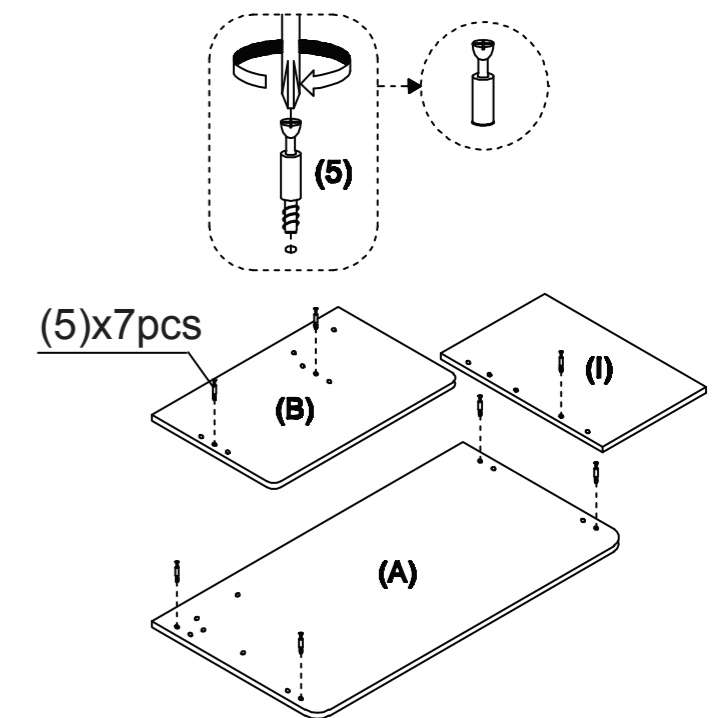
### STEP 2

Install Nail Leg (3) to the bottom of Panel (C)(D)&(H) using rubber mallet.



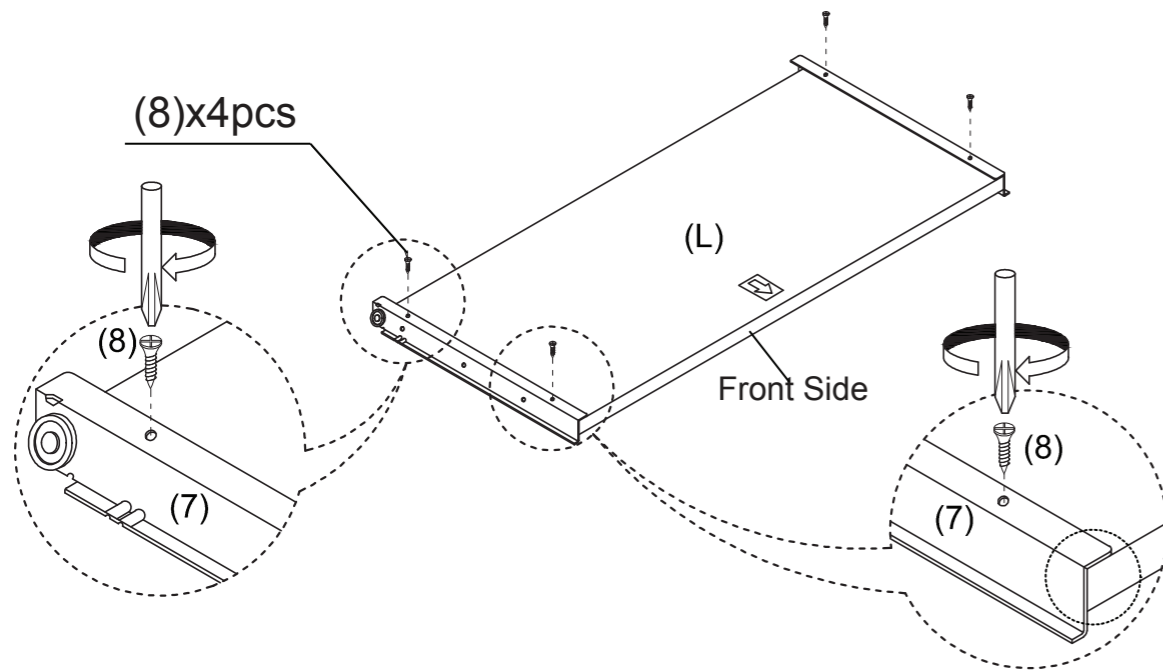
### STEP 3

Screw Cam-Lock Screw (5) into the pre-drilled holes on Panel (A)(B)&(I).



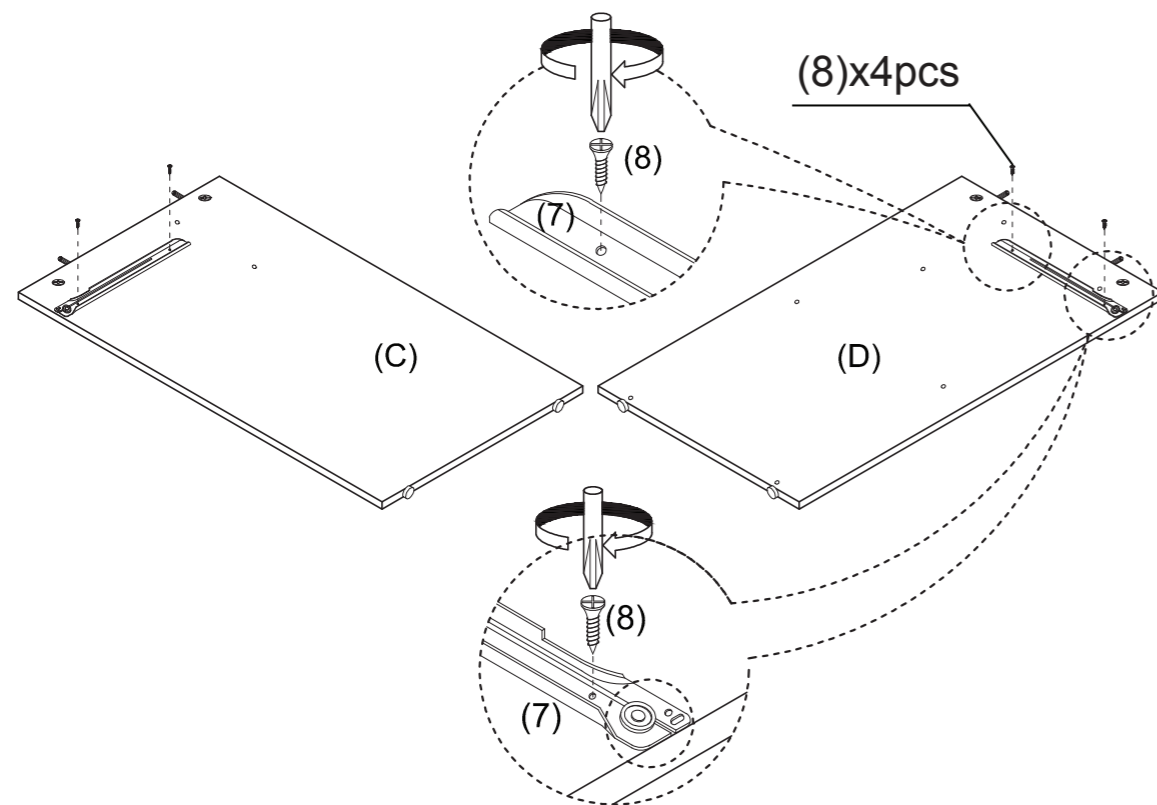
#### STEP 4

Fix Drawer Slide (7) to Panel (L) using Screw (8).  
Note: Please make sure L&R Side of Drawer Slide (7) before attach it.



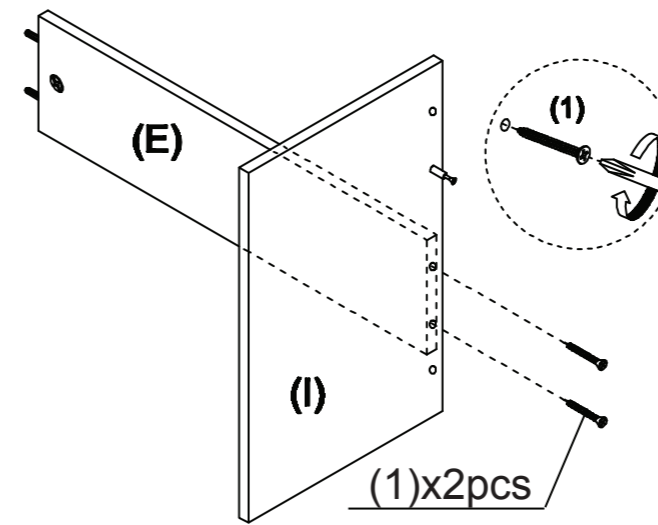
#### STEP 5

Fix Drawer Slide (7) to Panel (C)&(D) using Screw (8).  
Note: Please make sure L&R Side of Drawer Slide (7) before attach it.



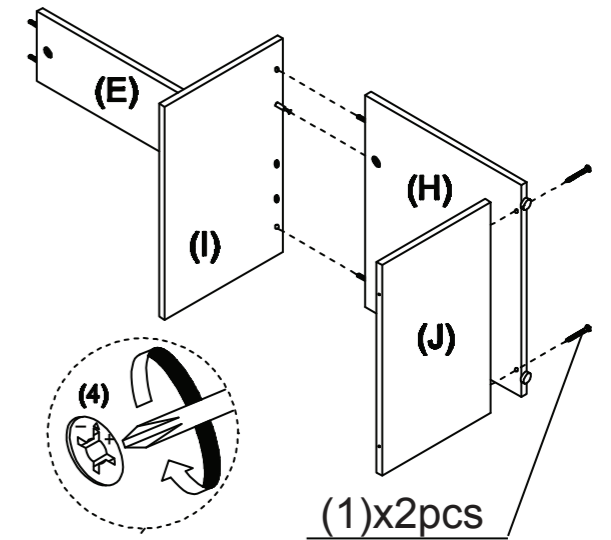
#### STEP 6

Attach Panel (E) to Panel (I) using Screw (1).



#### STEP 7

Attach Panel (J) to Panel (H) using Screw (1) and tighten Cam-Lock Nut (4) on Panel (H) using screwdriver.



#### STEP 8

Attach the assembled unit to Panel (D)&(K) using Screw (1), as shown.

