
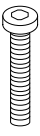
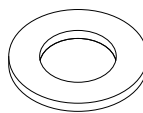
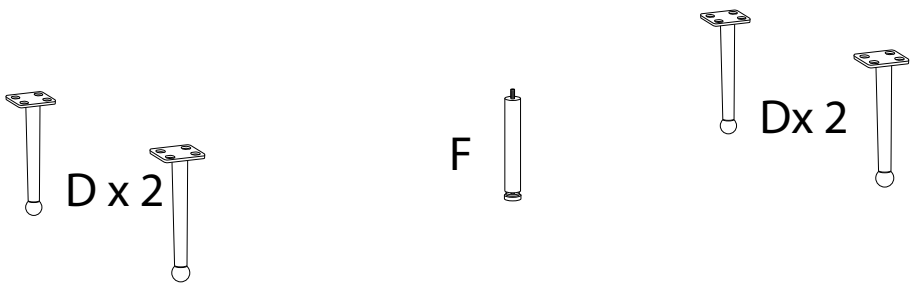
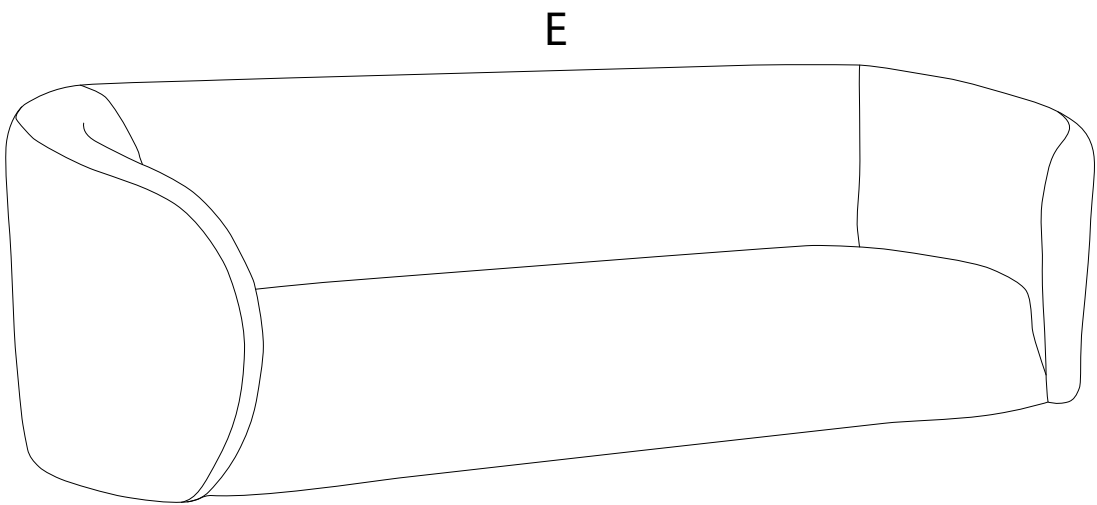
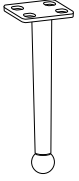
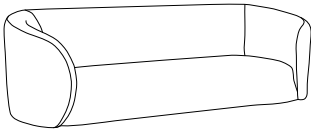



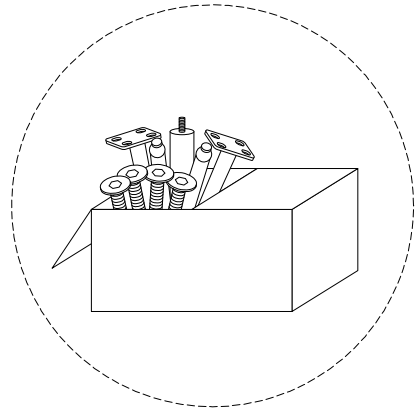
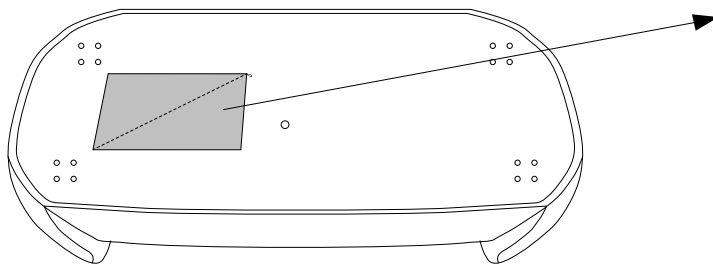
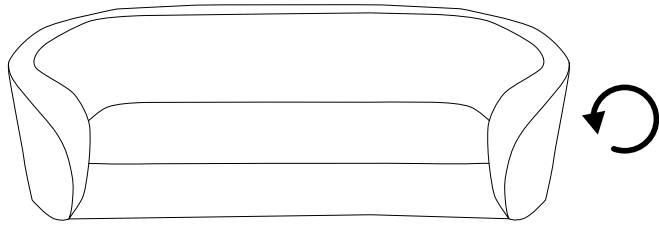
An icon showing an L-shaped metal bracket inside a circle, next to a power drill with a diagonal line through it, indicating that a power drill should not be used for this step.	A warning triangle icon with an exclamation mark inside.	A clock icon representing a time requirement.
<p>20'</p>		
An icon showing a rectangular block on a mat with a diagonal line through it, next to a block with a screw being inserted, indicating that screws should not be used for this step.	A warning triangle icon with an exclamation mark inside.	An icon of a person, representing the number of people required for the step.
<p>2</p>		

<p>A</p>  <p>x 1</p>	<p>B</p>  <p>M2 x 10</p> <p>x 16</p>	<p>C</p>  <p>x 16</p>
---	---	--



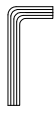
<p>D</p>  <p>x 4</p>	<p>E</p>  <p>x 1</p>	<p>F</p>  <p>x 1</p>
---	---	---

!



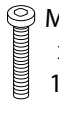
1

A



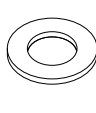
x 1

B



x 16

C



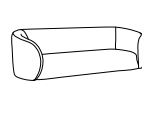
x 16

D



x 1

E



x 1

F



x 1

