



MCombo[®]

OWNER'S MANUAL

**POWER TOILET
SEAT LIFT**

Hello,
 Thank you for choosing MCombo®
 Let's get started

○ PURCHASER'S AGREEMENT

By accepting delivery of this product, you promise that you will not change, alter, or modify this product or remove or render inoperable or unsafe any guards, shields or other safety features of this product.

You will not refuse or neglect any retrofit kits that MCombo may provide to enhance and preserve the safe use of this product.

CONTENTS

I	SAFETY GUIDELINES	- 01	V	TROUBLESHOOTING	- 21
	<ul style="list-style-type: none"> • Mandatory • Danger • Warning • Symbols information • Disclaimer 				
II	ASSEMBLY INSTRUCTIONS	- 04	VI	WARRANTY	- 21
	<ul style="list-style-type: none"> • Product Parameters • Part List • Assembly Steps 				
III	OPERATING INSTRUCTIONS	- 16	VII	RETURN/REPLACEMENT POLICY	- 23
	<ul style="list-style-type: none"> • Operation Precautions • Product Overview • Lift Remote Operation Instruction • Instructions for Caregivers 				
IV	CLEANING GUIDELINES	- 20			

I. SAFETY GUIDELINES

1. Mandatory

Read the safety and other instructions thoroughly before using your MCombo® product. Failure to follow the guidelines, and warnings in this manual and those located on your product can result in personal injury or product damage and will void the product warranty. Keep this manual for future reference.

2. Danger

- To prevent suffocation, keep plastic bags away from children.
- Keep the cord out of reach of small children, and do not use it where it may be a trip hazard.
- Plug directly into a wall outlet. Do not use an extension cord or adapter.
- Before moving or troubleshooting, unplug power cords from the outlet and secure the mechanism to prevent unexpected lifting and movement of the power toilet seat lift.
- To reduce the risk of shock and or electrical hazard, keep all electrical components free from moisture at all times and only use properly grounded electrical equipment, outlets, and plugs.
- Do not operate the lift with the toilet seat in the up position.

3. Warning

- Weight Capacity: 320 lbs.
- Do not use outdoors. INDOOR USE ONLY.
- Understand and learn the location and function of all the features before operating.
- For use with secure, properly mounted, floor-mounted toilets only.

- Observe and avoid all pinch points and always keep hands above the seat when operating the toilet lift.
- Ensure that there is no interference within the toilet lift's range of movement.
- To help prevent slipping, it is important to wear footwear with firm, non-skid soles when using the toilet lift.
- Remove loose rugs and make sure that the area around the toilet lift is free of all obstructions and moisture.
- The toilet lift is strictly an assist lift. The user must have dexterity, strength, and balance in order to use the toilet lift safely. Nonresponsive or combative users may not be suitable for toilet lift usage.
- Do not use the toilet lift for anything other than its intended purpose.
- This product is intended for use by ambulatory and semi-ambulatory patients capable of bearing their individual body weight unassisted.
- If any part of the toilet lift is damaged, loose, or faulty, do not use it until repairs can be made by a qualified technician.
- Do not route power cords so that they may become damaged, pinched, create trip hazards, or create other safety concerns.
- Check all toilet lift electrical cords frequently to ensure they are not worn or damaged.
- Stop using the toilet lift immediately and contact your Certified Dealer or Technician if any defect is suspected.
- To reduce the risk of shock and or electrical hazard, keep all electric components free from moisture at all times and only use properly grounded electrical equipment, outlets, and plugs.
- The toilet lift is not a toy, never play on or near it.
- Do not continually operate the hoist functions. The system is not designed as an exercise machine and continuous operation will cause damage to the actuator.
- Do not pull on, or otherwise exert excessive force on, the handset cable as this may break off the wires inside the cable and prevent some or all toilet lift operations.
- Warning indicates a potentially hazardous situation which, if not avoided, could result in death or serious injury.
- If you give this product to someone else, must include this owner's manual.

4. Symbols Information

The symbols below represent labels used on the product to identify warnings, mandatory actions, and prohibited actions. It is especially important for you to read and understand these symbols completely.

Do not remove these labels from your product. Please note that not all the symbols may be used on your toilet seat lift.



5. Disclaimer

Make sure you read and understand this manual completely before using your MCombo Product. We are not and cannot be held responsible for any damage or injury incurred due to improper or unsafe use of the MCombo Product. We specifically disclaim responsibility for any bodily injury or property damage that may occur during any use that does not comply with applicable federal, state, or local laws or ordinances.

II. ASSEMBLY INSTRUCTIONS

■ Notice

- Please read these instructions thoroughly before using.
- Do not plug the power supply in until assembly complete.

1. Product Parameters

Specification	Description
Model No	6360-SEC212W
Rated Voltage	110-240V
Rated Current	2.0A
Output Voltage	29V
Overall Dimension	27.4*26.2*26.5 inch
Toilet Compatibility	≤19 inch
Weight Capacity	320lbs
Package Quantity	1

2. Part List

■ Notice

- Check all parts for shipping damage before using. In case of damage, do not use the equipment. Contact us at 323-597-1109 or email: sales@mcombo.com for further instructions.

Part List

A x 1 	B x 1 	C x 1 	D x 1
E x 1 	F1 x 1 	F2 x 1 	
G x 1 	H x 1 	I x 1 	

5 x 4 	6 x 2 		
Leveling Feet	Head Positioning Pins	Wrenches	Spare Parts

Screw Pack

1 x 4 	M10*55mm 1*P1		M10 1*P2		M10 2*P3		M10 (Non-slip Screw) 1*P4
2 x 4 	M10*25mm 1*P5		M10 1*P2		M10 1*P3		
3 x 4 	M10*25mm 1*P5		M10 1*P2		M10 2*P3		M10 (Non-slip Screw) 1*P4
4 x 2 	M10*85mm 1*P6		2*P2		M10 (Nylon Washer) 1*P8		M10 (Non-slip Screw) 1*P4

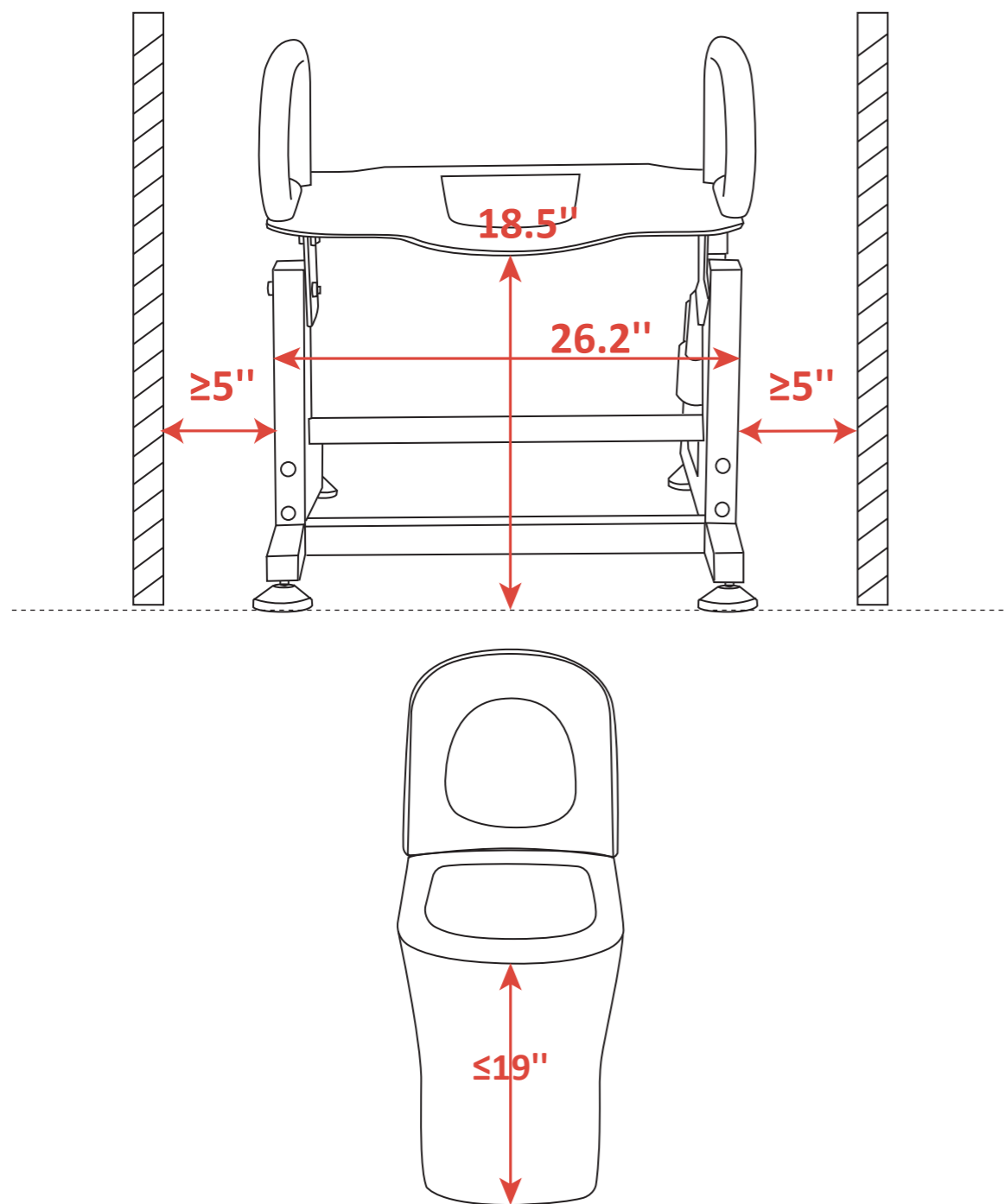
3. Assembly Steps

Unpacking

1. Carefully unpack all items and layout contents for inspection. Remove any packaging tape or supplies.
2. Check contents against the parts list. If anything is missing, contact us at 323-597-1109 or email: sales@mcombo.com.

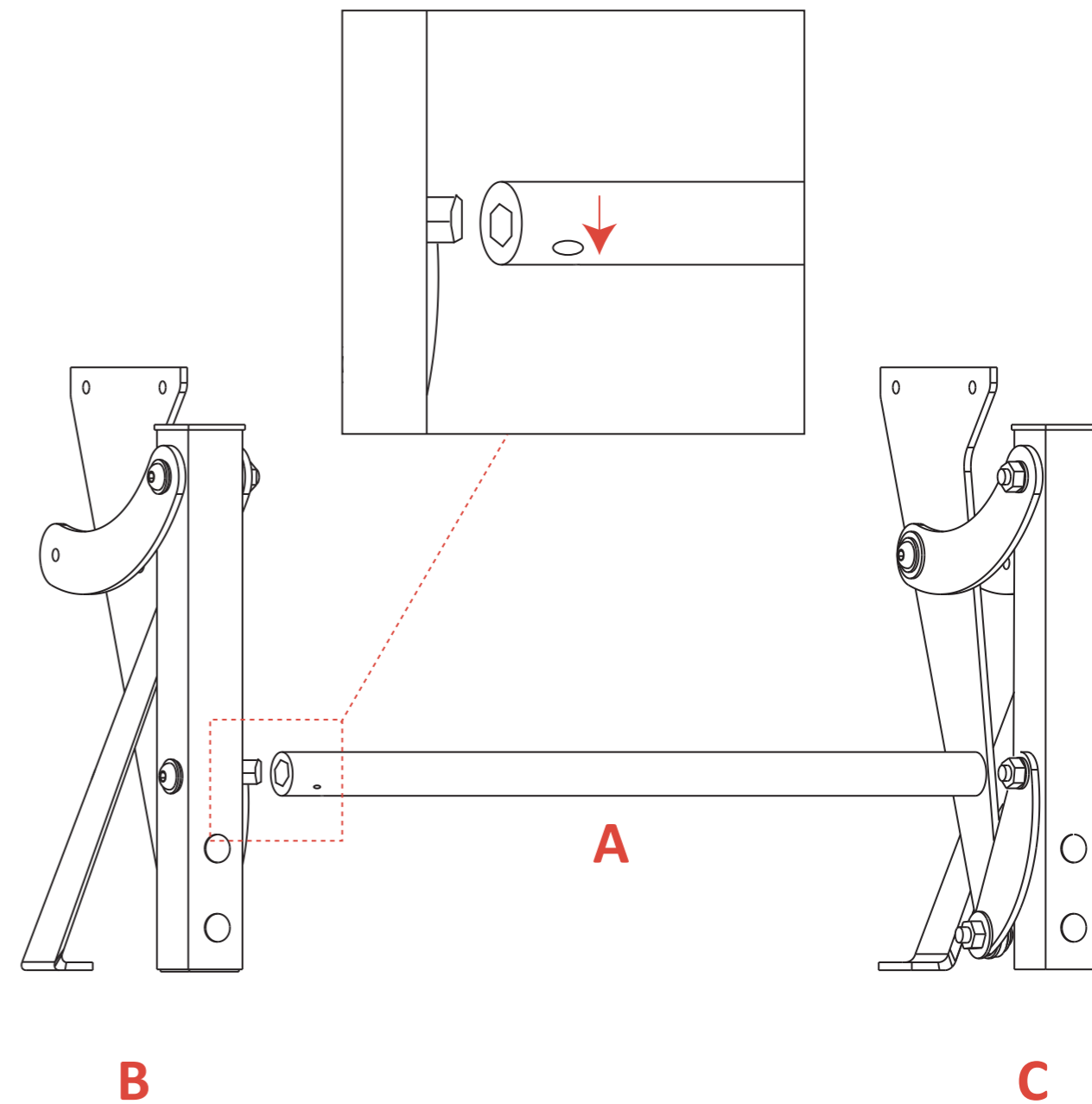
NOTE:

- Before assembly, measure the height of the toilet bowl rim from the floor and must be less than or equal to 19" from the floor. Please leave at least 5" clearance from the wall on both sides. (Item Width 26.2")



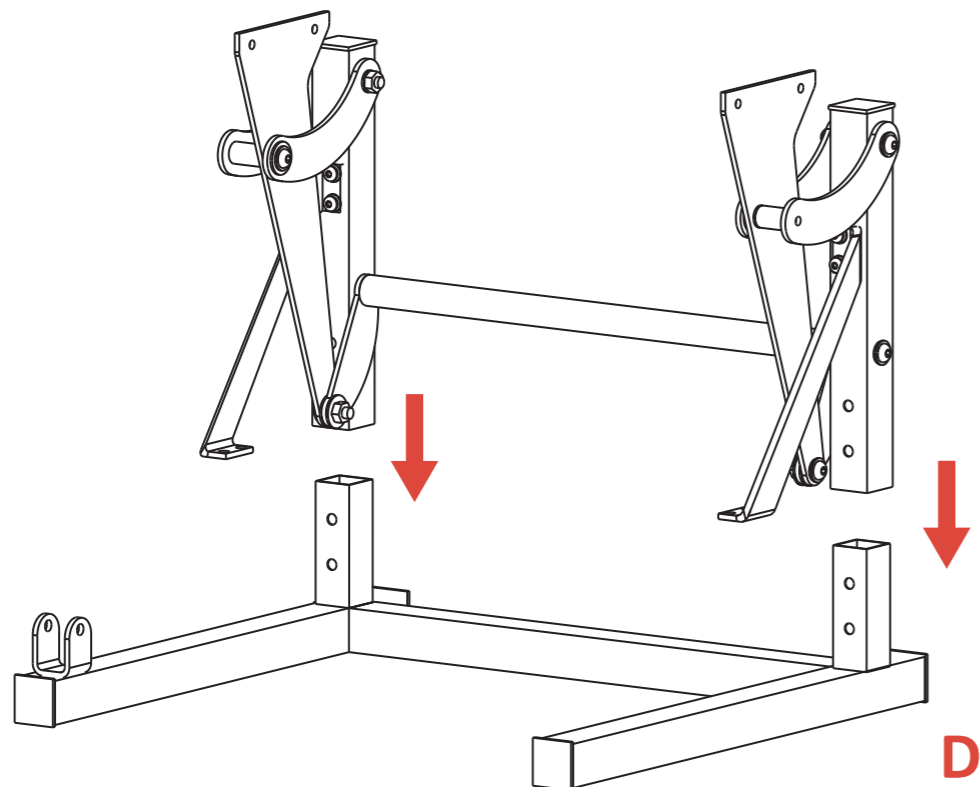
Step1

- There is a small hole in part A. Please make this small hole face down when installing.



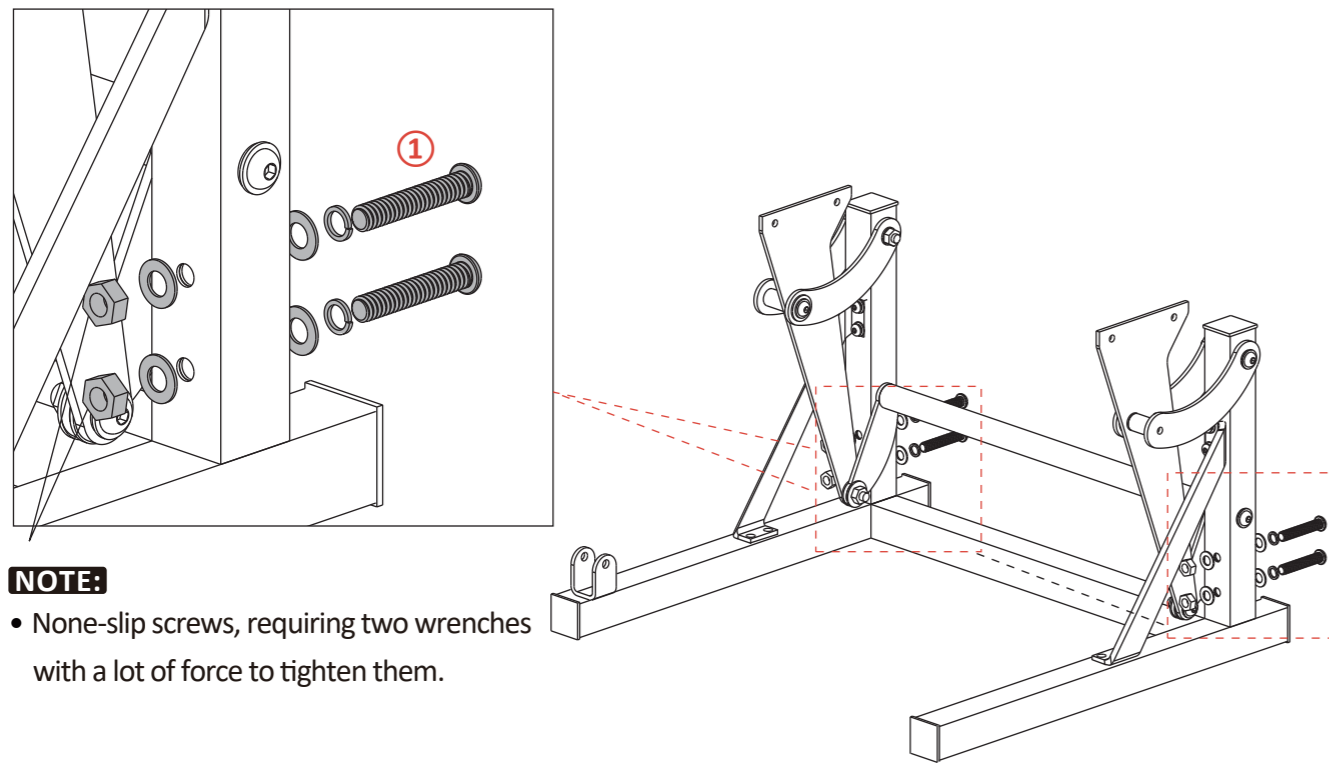
A×1PC B×1PC C×1PC

Step2



D × 1PC

Step3

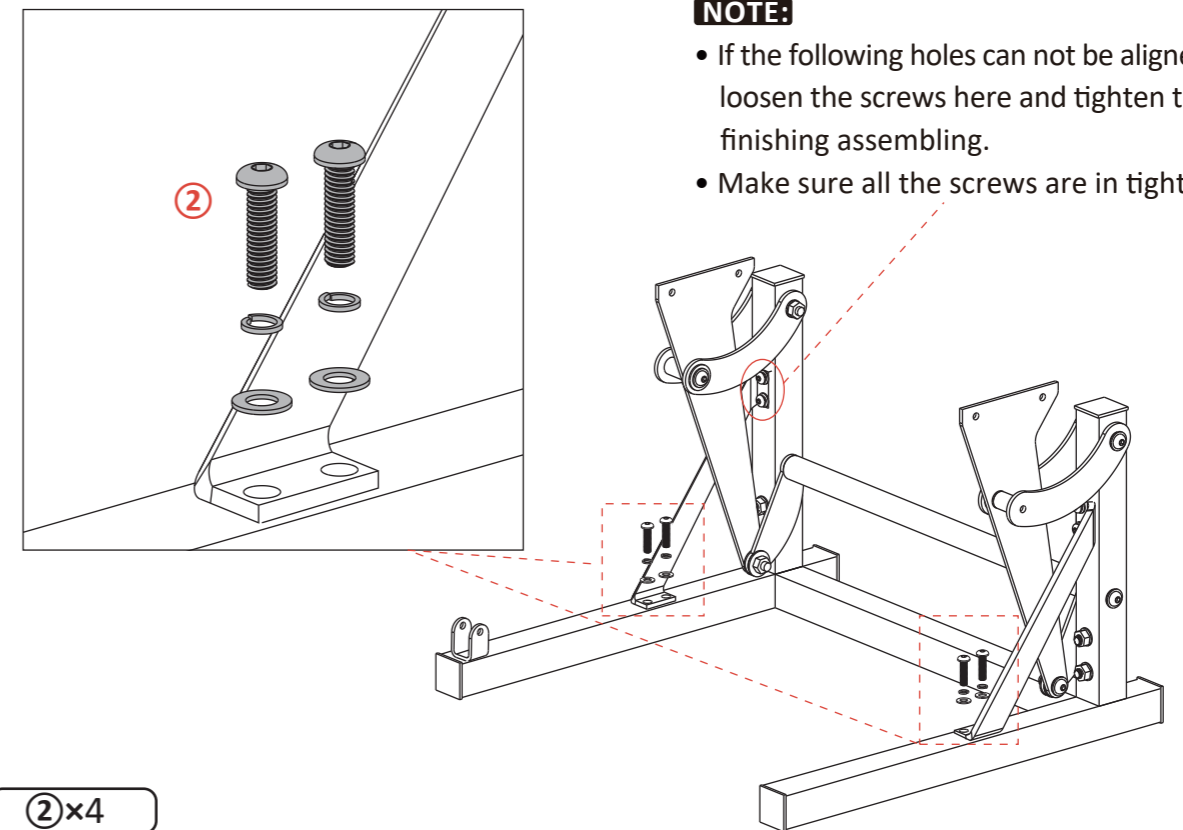


NOTE:

- None-slip screws, requiring two wrenches with a lot of force to tighten them.

① × 4

Step4

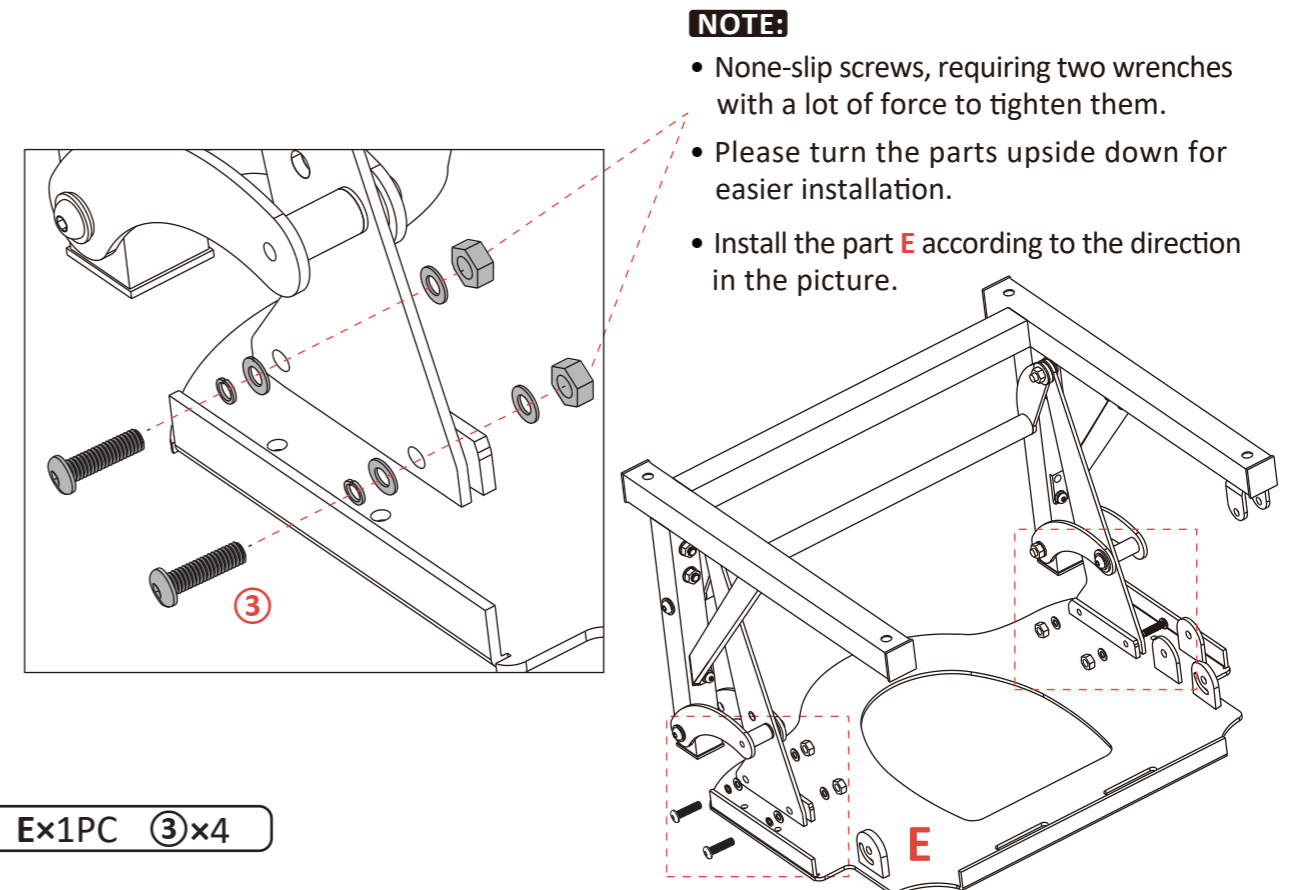


NOTE:

- If the following holes can not be aligned, please loosen the screws here and tighten them after finishing assembling.
- Make sure all the screws are in tight condition.

② × 4

Step5

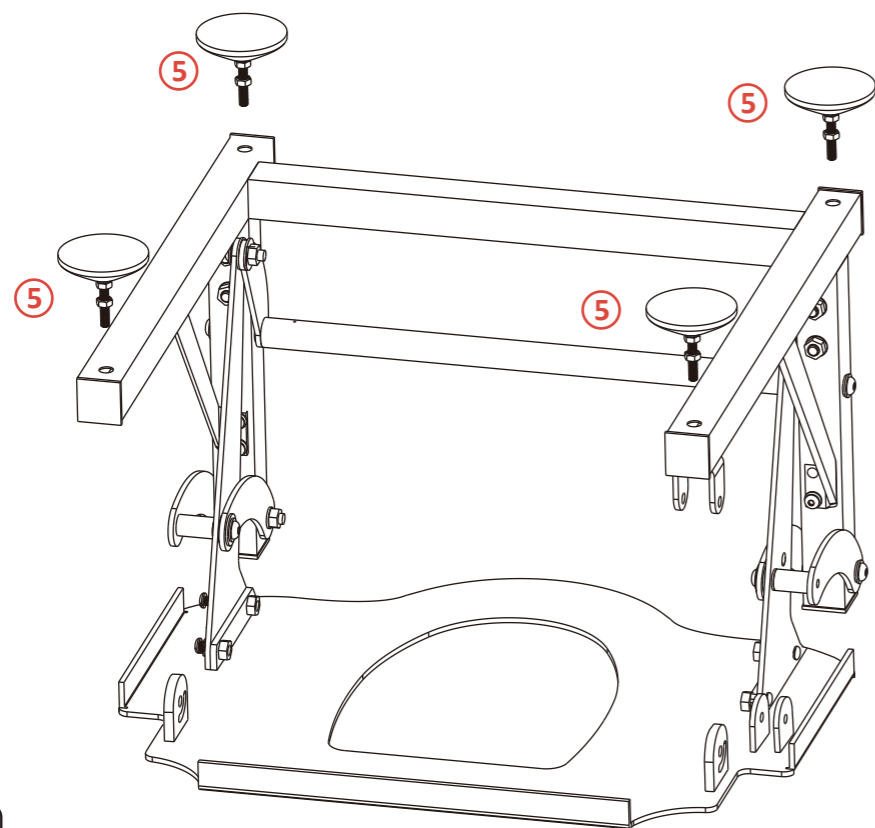


NOTE:

- None-slip screws, requiring two wrenches with a lot of force to tighten them.
- Please turn the parts upside down for easier installation.
- Install the part E according to the direction in the picture.

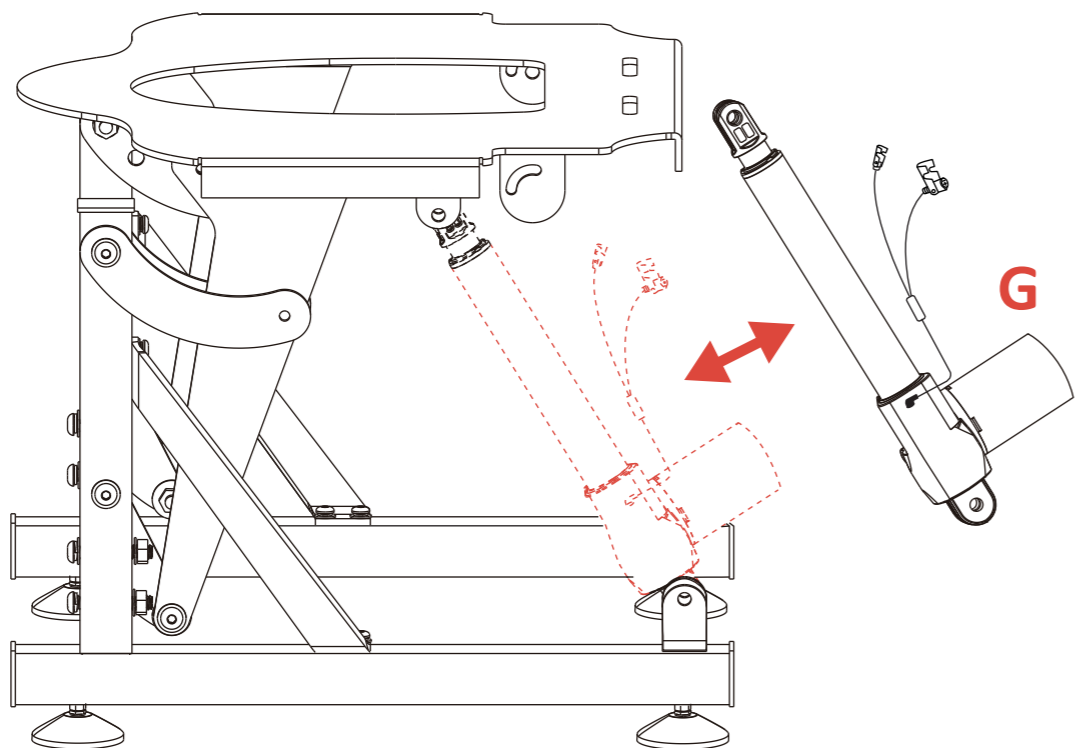
E × 1PC ③ × 4

Step6



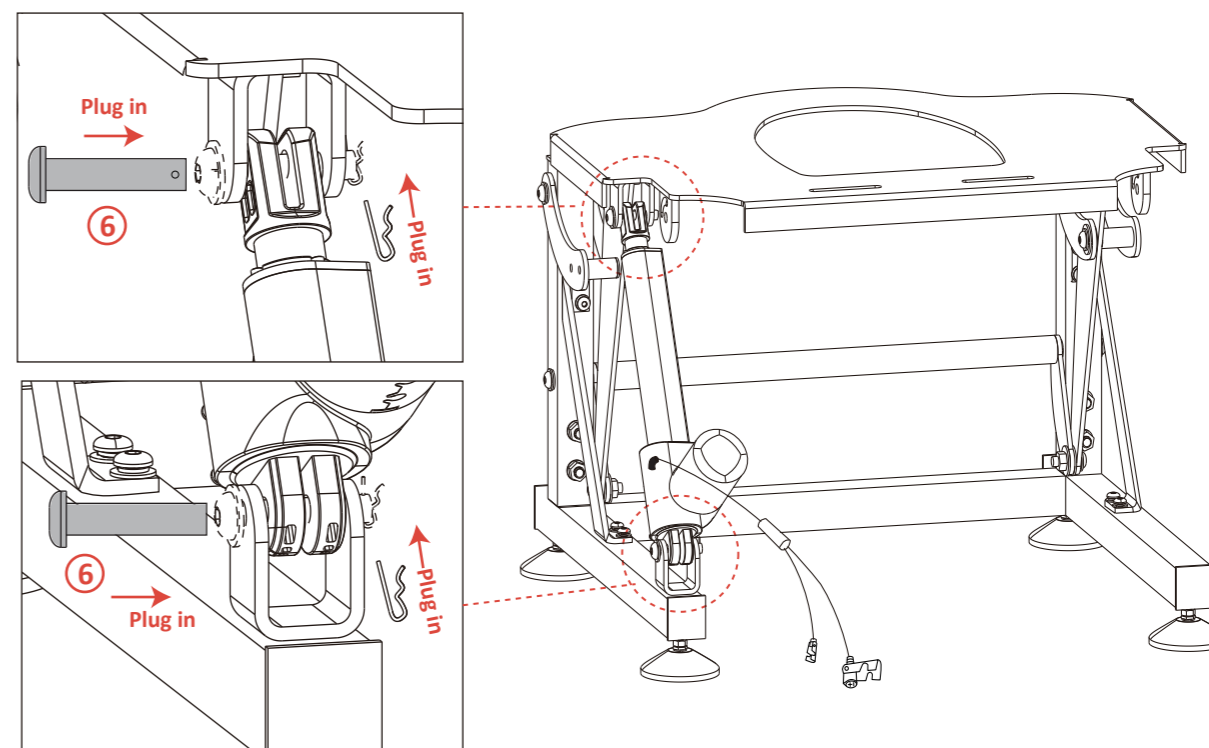
⑤×4

Step7



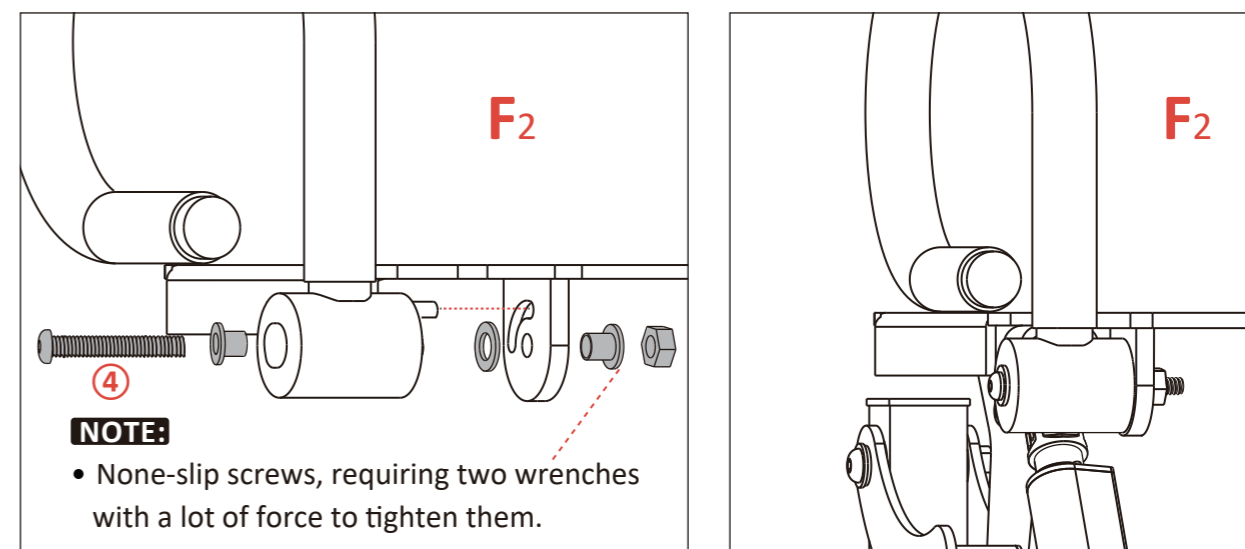
G×1PC

Step8



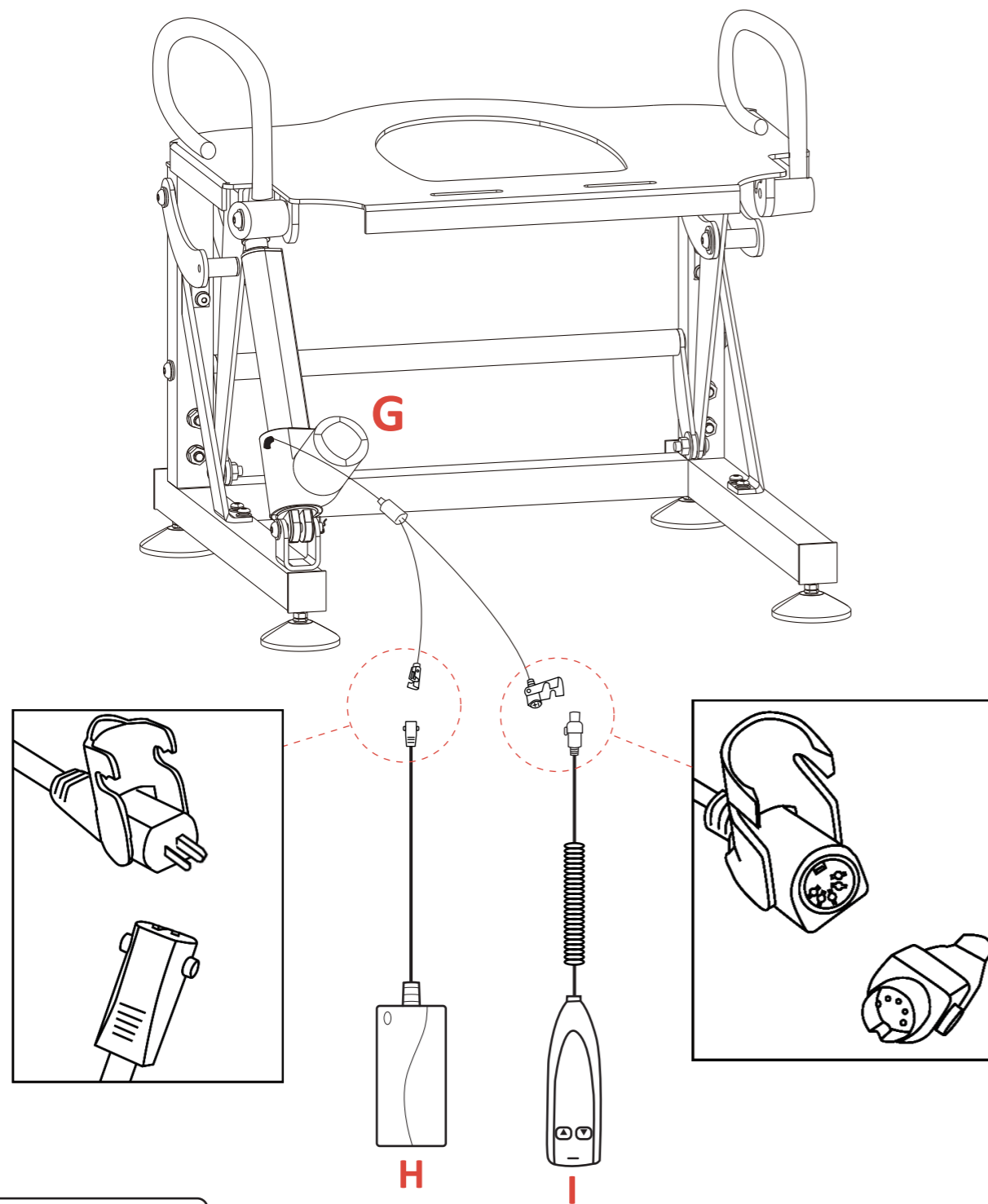
⑥×2

Step9



④×2 F1×1PC F2×1PC

Step 10



H×1PC I×1PC

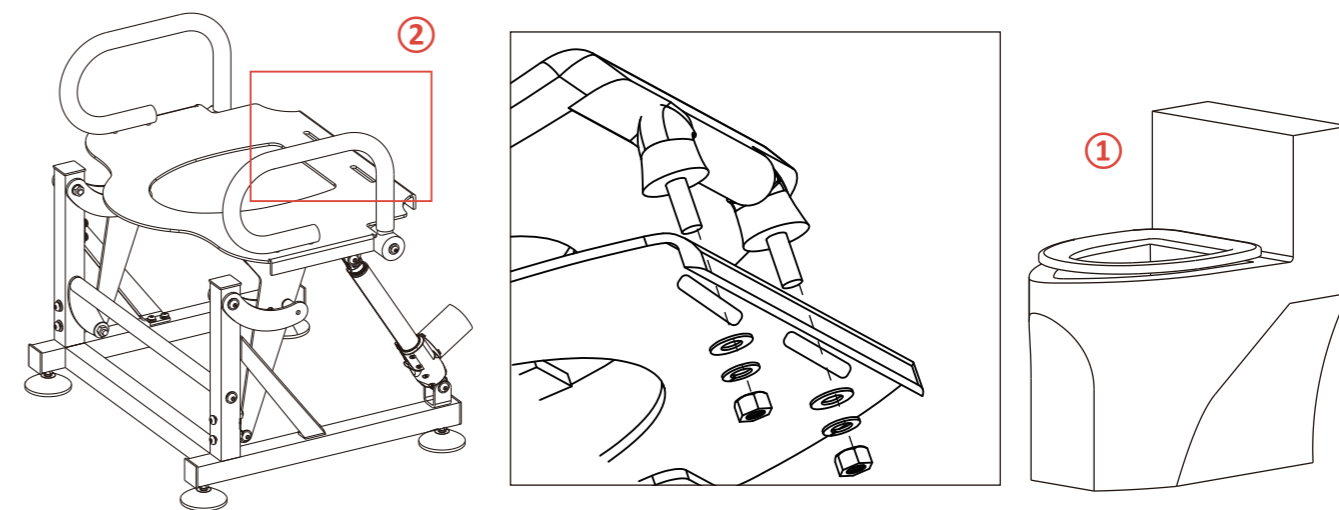
NOTE:

- Connect the power supply and lift remote to the lift motor.
- Plug the power supply into a 110V outlet and cycle the unit to the highest position.
- If the unit does not cycle when plugged into a 110V outlet, contact us at 323-597-1109 or email: sales@mcombo.com.

INSTALLING THE TOILET LIFT AROUND YOUR TOILET

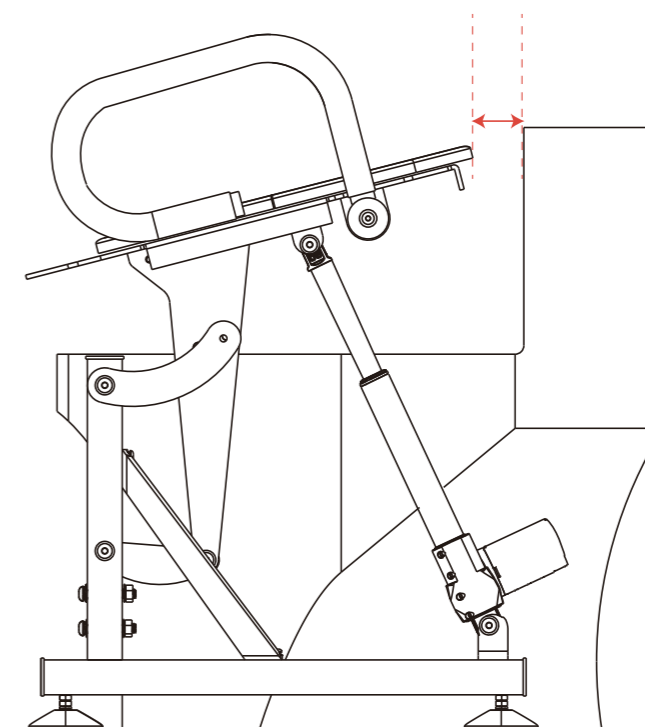
1. Attach the toilet seat to the unit. Make sure the toilet seat is aligned to the top plate. Then slide the toilet lift around the toilet so the unit is centered left-to-right and front-to-back.

⚠ Caution: Make sure the existing toilet seat is removed from the toilet.



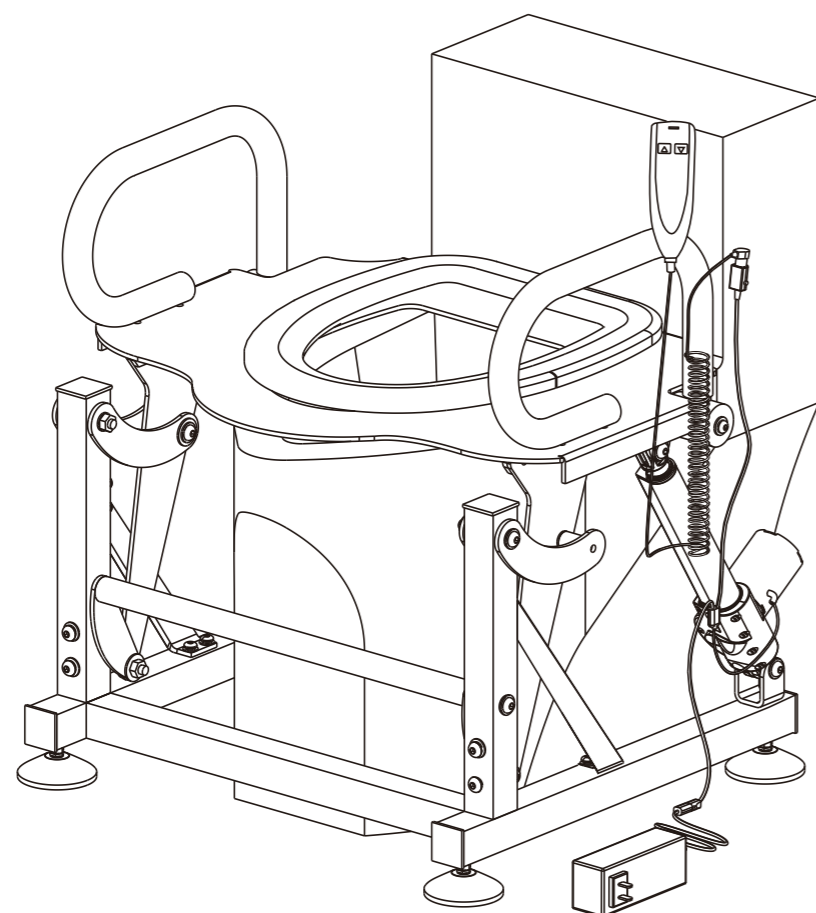
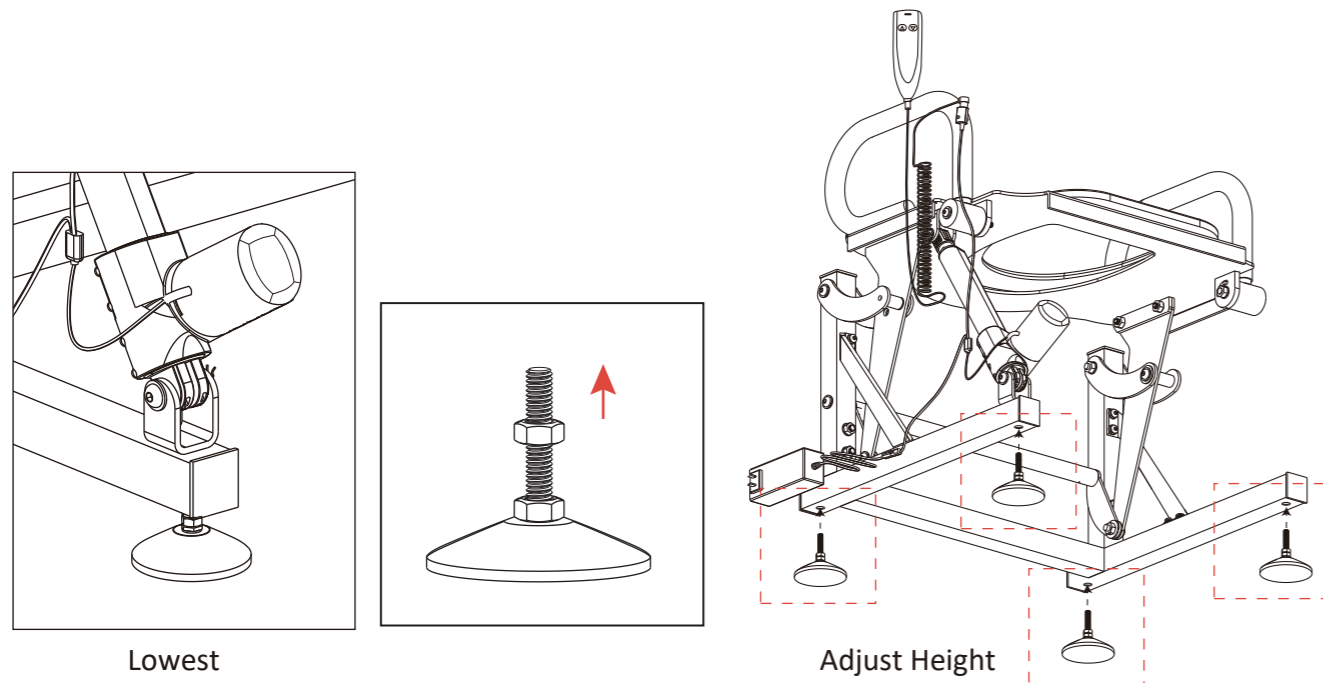
2. Test the movement up and down making sure there are no interference issues.

⚠ Caution: Make sure the toilet tank does not interfere with the toilet lift.



3. Use the leveling feet as needed to adjust the proper height of the unit over the toilet.

⚠ Caution: The adjustable range of leveling feet:1". You can adjust the toilet height so that it fit your toilet properly buy twist the mounts .



III. OPERATING INSTRUCTIONS

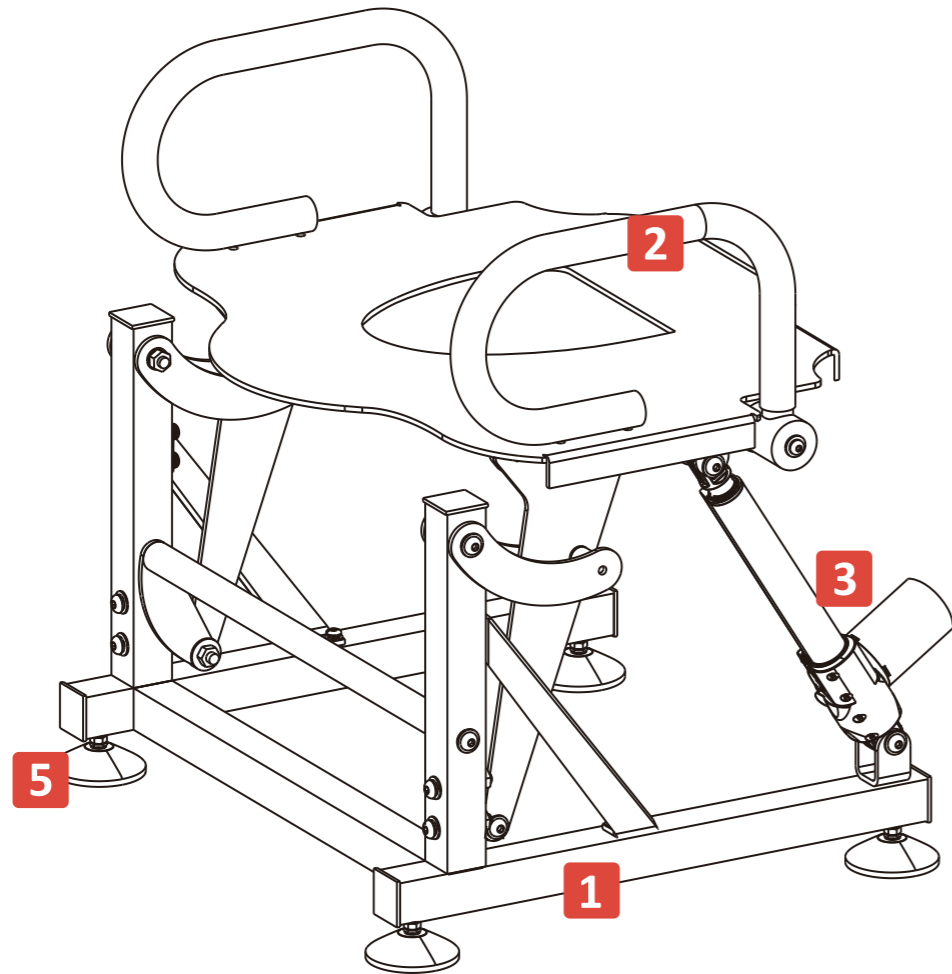
1. Operation Precautions

- Do not use an extension cord.
- Do not exceed the recommended weight limit. (320lbs)
- Do not use attachments not recommended by the manufacturer.
- Always leave the toilet lift in the closed position when not in use.
- Do not attempt any transfer without the approval of the patient's physician, nurse, or medical assistant.
- Thoroughly read the instructions in this Owner's Manual. Use common sense every time using the toilet lift. Special care must be taken with people with disabilities who can't operate the toilet lift assist on their own.

NOTE:

To avoid personal injury and/or product damage, do not plug the unit into the electrical outlet until the problem is corrected, and do not attempt to fix electrical problems by yourself.

2. Product Overview



1. **Structure** - Provides the vertical, horizontal, and rotational lift necessary to support the sit-to-stand process.
2. **Handle Bar** - Handle bars for the patient to place their hands on during the sit-to-stand process.
3. **Lift Motor** - Linear actuator is mounted to the frame to move the device up and down.
4. **Lift Remote** - See below.
5. **Leveling Feet** - The toilet lift is provided with leveling feet so the unit can be installed on moderately uneven floors.

3. Lift Remote Operation Instruction

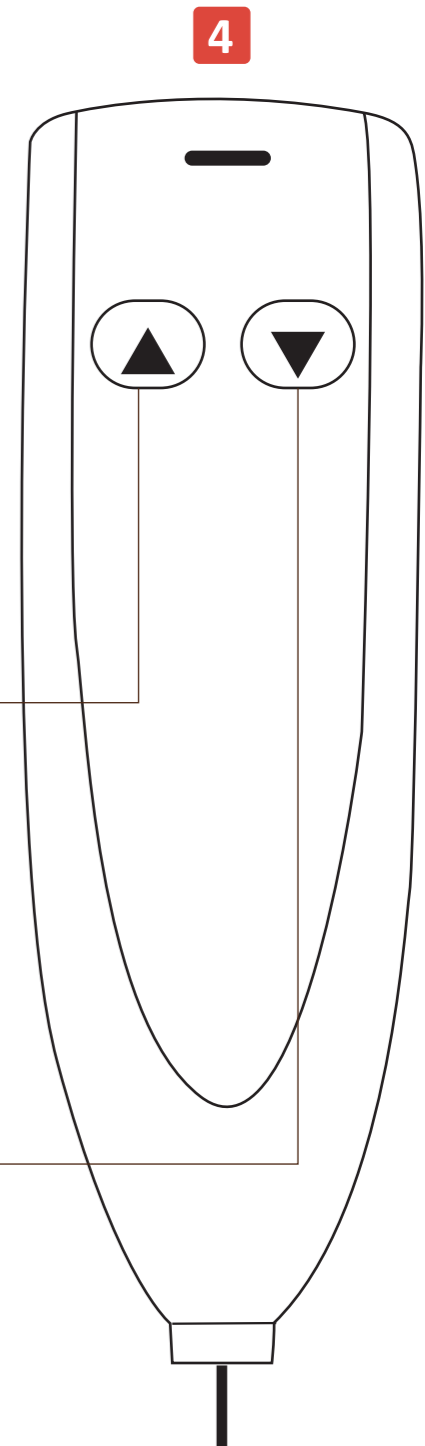
- The lift remote is for a caregiver or patient to use.
- The buttons on the Lift Remote perform the following functions:

^ LIFT(UP)

Press and hold the UP button to raise the toilet seat.

∨ LIFT(DOWN)

Press and hold the DOWN button to lower the toilet seat.



4. Instructions for Caregivers

Caregivers should follow the Instructions for Individual Users, with the following additions.

1. Move the toilet lift to the fully raised position(or to the most comfortable position for the patient).
2. With the lift remote in one hand, stabilize the patient in front of the toilet lift. Place your free arm securely under the patient's arm between the patient's arm and body. Wrap your arm around the patient's back.
3. Assist the patient to a stable sitting position on the toilet lift.
4. Use one hand to steady the patient, with the other hand using the lift remote to lower the toilet lift to its lowest position.
5. Assist the patient with toileting as required.
6. As much as possible, all hygiene activities should occur with the patient in the seated position.
7. Before raising the toilet lift to the fully raised position, make sure the patient has both feet firmly on the floor. If not, help the patient move forward until the patient is in the correct position with both feet on the floor.
8. Press the button on the lift remote to begin raising the toilet lift, lifting the patient to the standing position. Make sure the patient's arms are securely placed on the handle bars.
9. Continue raising the seat until you believe the patient is ready to complete the transfer process. Little or no effort should be needed to transfer the patient to the standing position.
10. Lower the toilet seat to the fully lowered position after the transfer.

Caution: Do not operate the lift with the toilet seat in the up position.

Warning! Non-responsive or combative patients may not be suited for toilet lift.

IV. CLEANING GUIDELINES

Proper cleaning and regular inspection are essential to keep the toilet lift operating at maximum efficiency and provide the best possible safety for each user of this product. If the toilet lift is not cleaned on a regular basis, the top plate of the unit could prematurely rust due to the highly corrosive nature of urine. The toilet lift unit must be maintained and cleaned accordingly.

Do not use abrasive cleaners, brushes, or scouring pads to clean the toilet lift unit.

For cleaning:

1. First remove the toilet lift unit from around the toilet as follows:

- Remove the 110V plug from the wall.
- Slide the toilet lift unit away from a toilet.

2. Clean the toilet lift

- Wipe down all metal surfaces(top plate, linkage bars, and frame) using a soft cloth or non-abrasive sponge with a mild cleanser such as soap and water or other mild household cleaners to remove any contaminants.
- Wipe dry all the cleaned surfaces of the unit using a dry soft cloth.
- Keep the unit in the lowered position when cleaning the actuator, so that the actuator cannot be degreased causing premature failure. Clean the actuator as suggested above.

3. After cleaning the toilet lift unit and the toilet, replace the toilet lift unit as follows:

- Return unit around the toilet.
- Plug unit back into 110V wall socket.

V. TROUBLESHOOTING

The following troubleshooting FAQs should summarize what you need to know about your toilet lift. Please have the model number '6360-SEC212W', order ID, and the nature of the problem when calling or emailing.

Questions	Answers
What if my toilet lift does not operate at all?	<ul style="list-style-type: none"> • Check all the electrical cords are not crimped or pinched. Make sure the electrical or plug is not damaged. • Check the power supply to make sure the green LED power indicator light is on. • Make sure all the connections are secured; refer to the Assembly Instructions.
What if my toilet lift is wobbly?	<ul style="list-style-type: none"> • Check the 4 leveling feet to make sure all the feet are at the same height; refer to the Assembly Instructions. • Make sure the floor is flat and nothing is pressed.
What if my toilet lift makes a clicking noise?	<ul style="list-style-type: none"> • Check the lift motor and make sure the end of the lift motor is at the center of the pivot point. • Make sure the weight capacity of 320 lbs has not been exceeded.

VI. WARRANTY

■ Notice

- For product beyond the limited manufacturer warranty period and scope, MCombo® can also provide replacement service, but a basic charge will be charged according to the circumstances.
- The warranty only applies to MCombo® products and does not include any accessories or enhancements.

- Warranties are only valid in the 48 contiguous United States and are contingent upon the consumer operating the product according to the corresponding instruction manual.

Lift Mechanism	★ 1 Year
Metal Frame	★ 1 Year
Electronic Parts	★ 1 Year

CONSUMER WARRANTY LIMITATIONS AND EXCLUSIONS

All warranties begin on the date of delivery.

All warranties are to the original purchaser from MCOMBO® ONLY.

- MCOMBO® will replace the defective parts or send replacement product provided that the warranty parts have not been subjected to misuse, abuse or improper service by the consumer, for example, damaged wire arising in consequence of negligence or improper operation.
- Exclusions also include components with damage caused by:
 - Contamination
 - Abuse, misuse, accident, or negligence
 - Commercial use, or use other than normal
 - Improper operation, maintenance, or storage

NOTE:

MCOMBO® will pay standard shipping rates on all warranted parts for the first year. We can also sell you replacement part for a discount price when your product is out of warranty policy.

VII. RETURN/ REPLACEMENT POLICY

■ Notice

Why don't we recommend returning the item by yourself?

- Huge cost- UPS/FedEx oversize fee.
- Need you to take the box to UPS/FedEx facility.

Return/ Replacement Policy

MCOMBO®

You have 30 days from the date of purchase to return any item purchased from our store.

Please securely pack the item in its original packaging, including any accessories or manuals that came with the product.

Return Conditions

We accept the return of items that are in new, unused condition, with original tags attached and all original packaging and other components included. Refunds will be issued in the original form of payment for the price of the item, including taxes.

NOTE:

- Please keep the original packaging in case the product needs to be returned.
- Please disassemble the before you return it otherwise there will be a huge cost as an oversized delivery.
- Please do not purchase return label for a damaged/defective product by yourself.
- If you have any problem to return the product, please contact us immediately, we will do our best to help you with a reasonable solution.