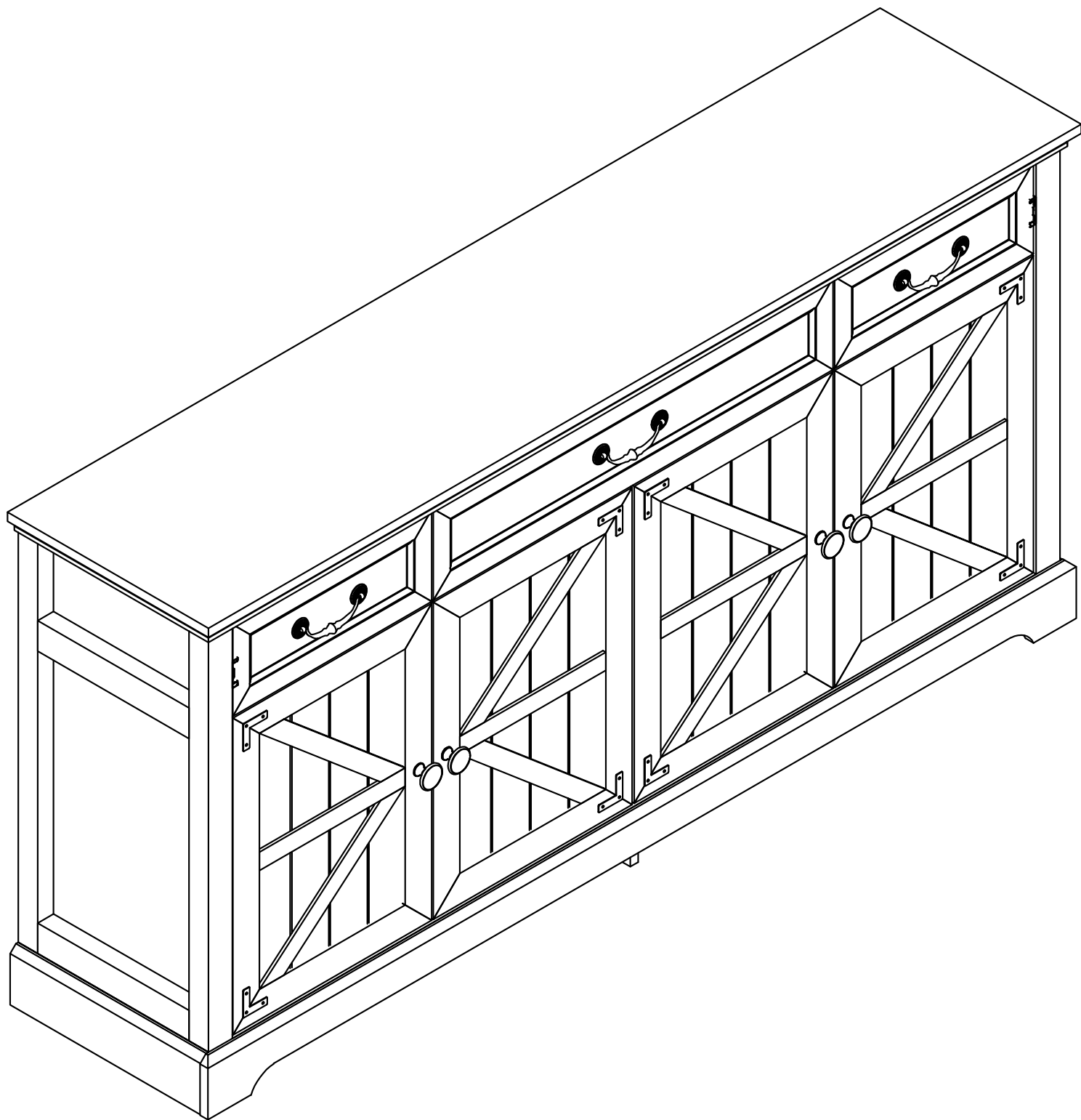


ASSEMBLY INSTRUCTIONS



ASSEMBLY PREPARATION:

1. Remove all packaging materials, staples and packing straps from the carton.
2. Refer to Parts List and Hardware List and ensure they are correct before assembly. Contact customer service for missing parts.
3. Place all wooden parts on a clean, flat and soft surface (e.g. carpet or rug) to prevent parts from getting scratched.

SAFETY PRECAUTION:

1. Keep all hardware parts out of reach of children.
2. Dispose plastic packaging material immediately to avoid any risk of suffocation to children and animals..

TIPS FOR ASSEMBLY:

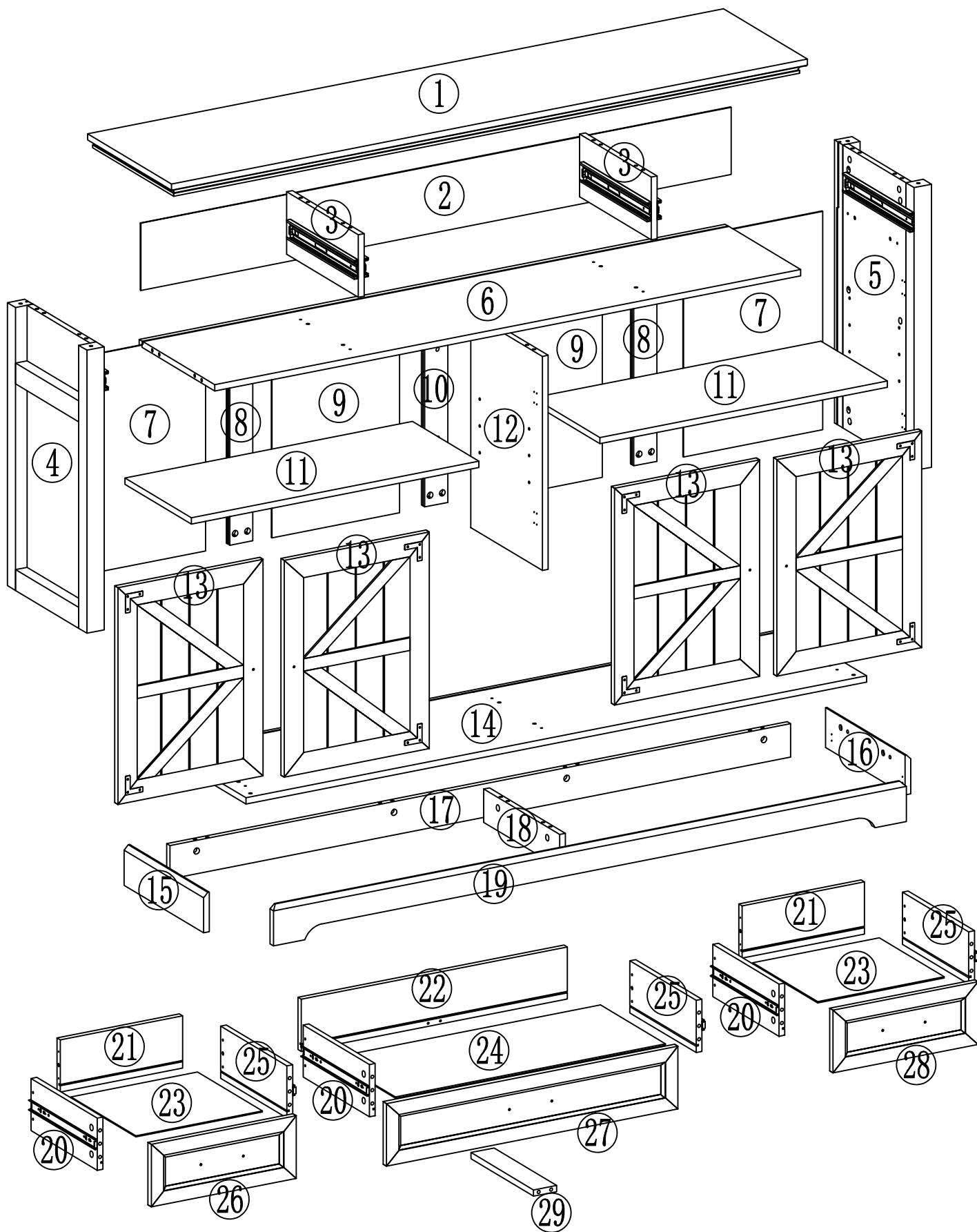
1. Allow ample room for assembly and in close proximity to where product will be placed.
2. Assemble the product on a surface that does not scratch or damage the exterior gloss and finish of the furniture.
3. Identify all of the parts, hardware and quantities required for each step.
4. During assembly, do not over-tighten any fittings as this may cause damage.
5. DO NOT USE POWER TOOLS TO ASSEMBLE THIS PRODUCT.
6. Always place the product on a flat, level surface.
7. Do not sit or stand on the partially assembled product; only use the product for which it is intended.

CARE AND MAINTENANCE:

- Use a slightly damp cloth to clean the product. Do not use bleach or abrasive cleaning material.
- Check all the fittings periodically and re-tighten as necessary. Do not use the product if any of the parts is damaged or broken.
- Never allow any kind of liquid to remain on your furniture. Absorption can cause wood to warp or delaminate.
- Do not place hot items (e.g. hot drinks) directly onto the wood surface.



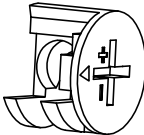


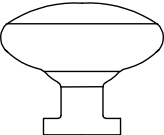
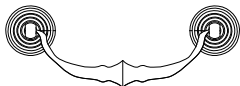
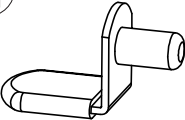



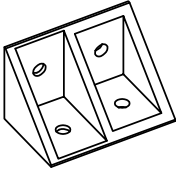
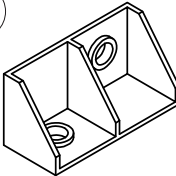
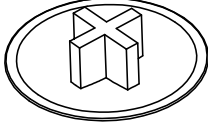
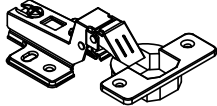
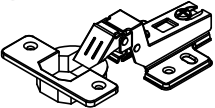
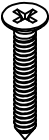
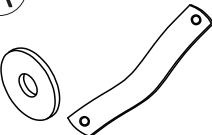
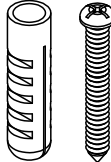
Part List

Please check if all the piece listed bellow are received



Hardware List

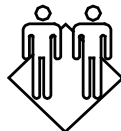
Please check if all the piece listed bellow are received

<p>(A)</p>  <p>Cam Bolt 60X+4X</p>	<p>(B)</p>  <p>ø8x30mm Wood Dowel 52X+4X</p>	<p>(C)</p>  <p>ø15 Cam Lock 60X+4X</p>	<p>(D)</p>  <p>ø3.9x15mm Black Screw 18X+1X</p>	<p>(E)</p>  <p>ø3.9x15mm Silvery Screw 48X+4X</p>
<p>(F)</p>  <p>Handle 4X</p>	<p>(G)</p>  <p>Handle 3X</p>	<p>(H)</p>  <p>Shelf Support Pin 8X</p>	<p>(I)</p>  <p>ø5/32 " x20mm Screw 4X</p>	<p>(J)</p>  <p>ø5/32 " x10mm Screw 6X</p>
<p>(K)</p>  <p>ø1/4 " x12mm Screw 16X+1X</p>	<p>(L)</p>  <p>Corner Brace 4X</p>	<p>(M)</p>  <p>Corner Brace 8X</p>	<p>(N)</p>  <p>Screw Sticker Cover 40X</p>	<p>(O)</p>  <p>Hinge 4X</p>
<p>(P)</p>  <p>Hinge 4X</p>	<p>(Q)</p>  <p>ø3.9x30mm Screw 12X+1X</p>	<p>(R)</p>  <p>Plastic Strap+Nut 2X+4X</p>	<p>(S)</p>  <p>Anchor+Screw 2X+2X</p>	

**ASSEMBLY
REQUIREMENTS**

5 Hours
Assembly Time
(Approximate)

2 -Person Assembly



Tools Required (Not Provided):

Phillips Screwdriver 

Flat Head Screwdriver 

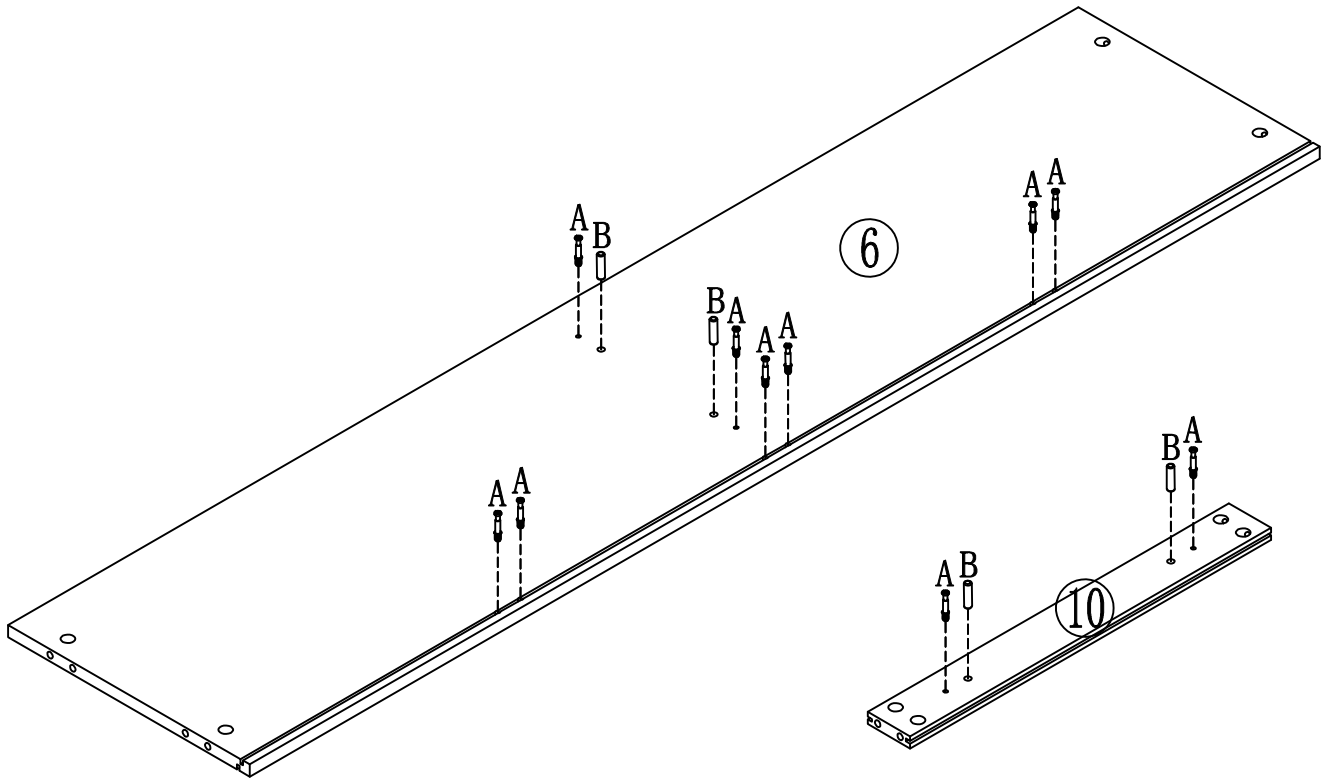
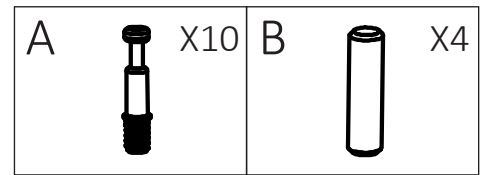
Mark Pencil 

Power Drill 

Step 1

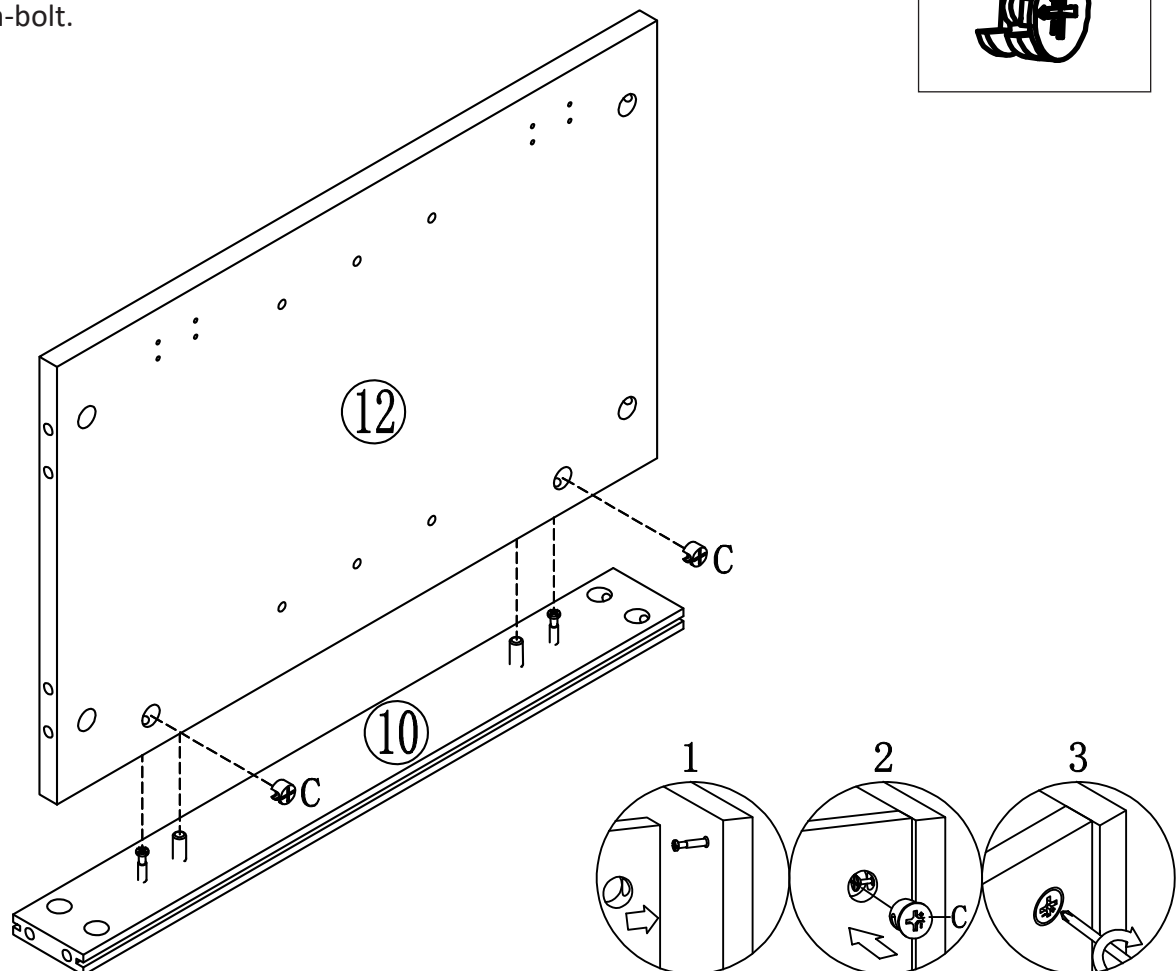
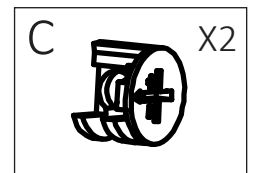
I. Screw in cam-bolt (A) into the designated holes on panel (6,10).

II. Insert wood dowel (B) to panel (6,10).



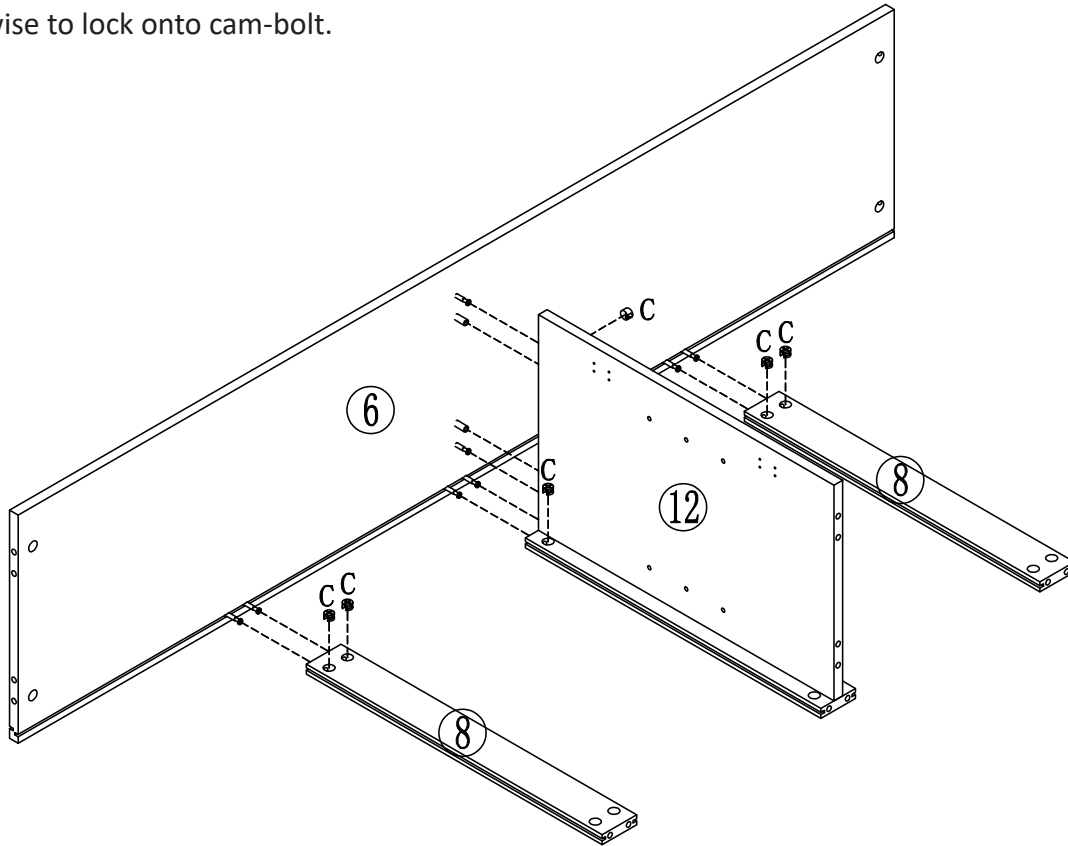
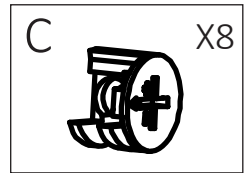
Step 2

I. Attach panel (12) on to panel (10), insert cam-lock (C) into the holes on panel (12), then turn clockwise to lock onto cam-bolt.



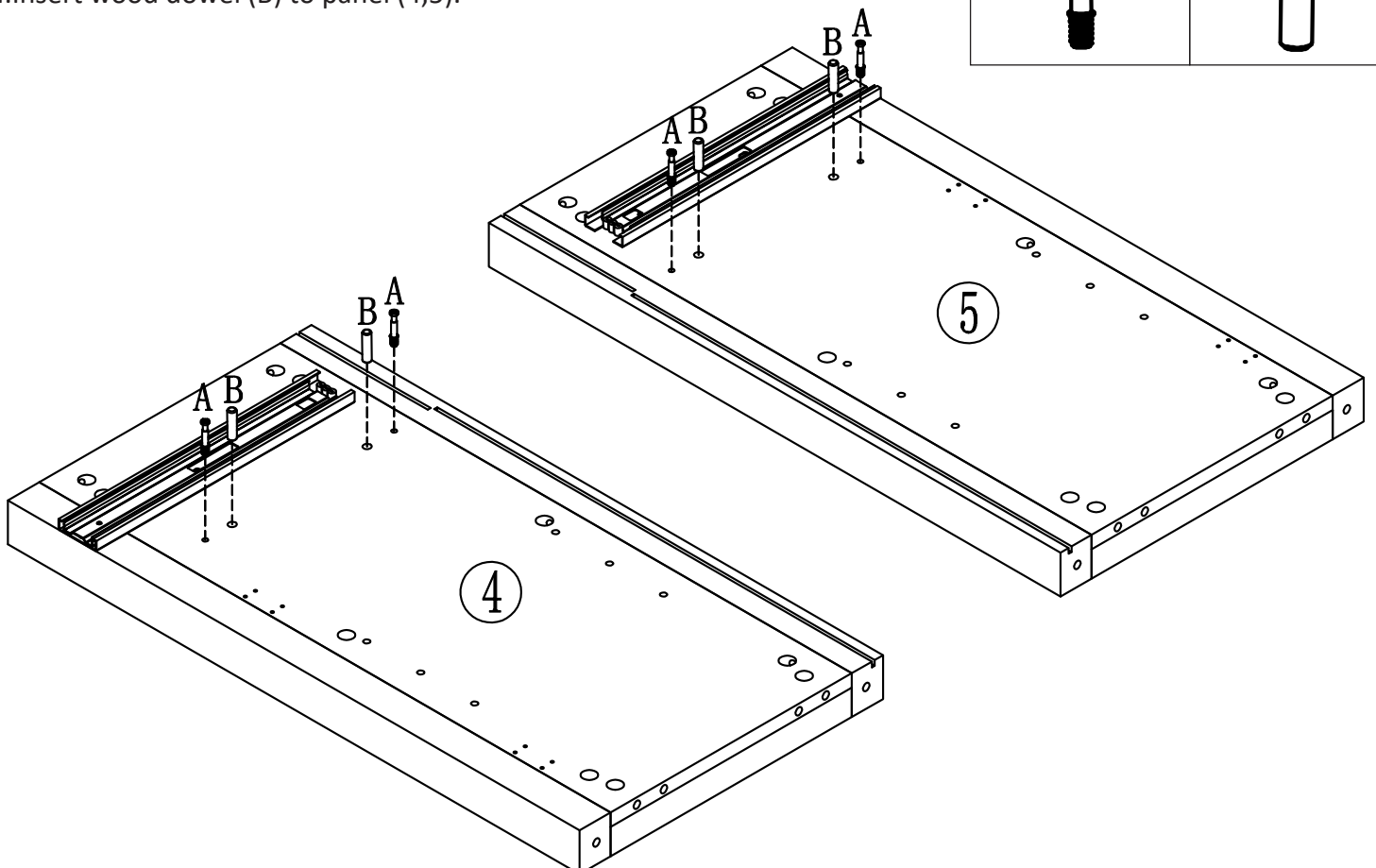
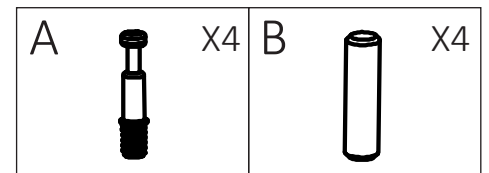
Step 3

I. Attach panel (8,8,10,12) on to panel (6), insert cam-lock (C) into the designated holes, then turn clockwise to lock onto cam-bolt.



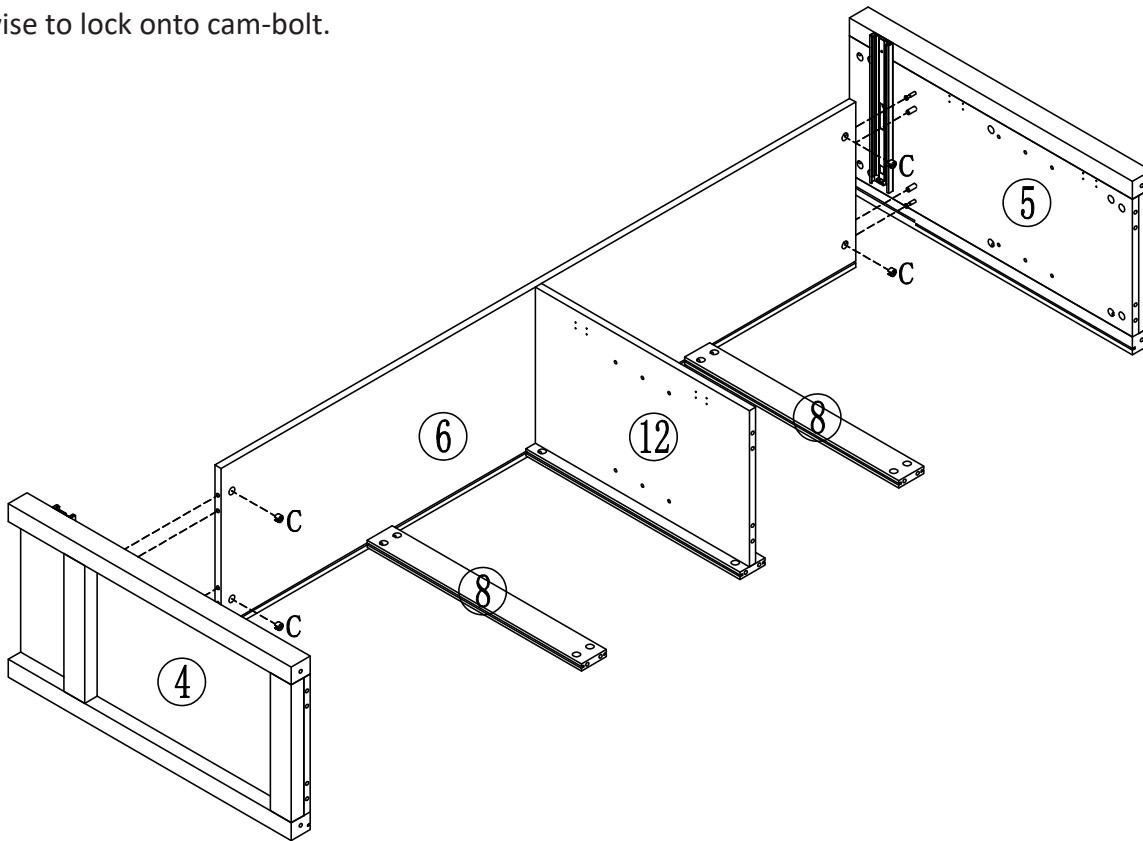
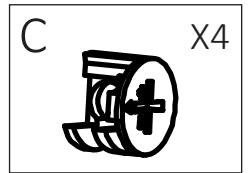
Step 4

I. Screw in cam-bolt (A) into the designated holes on panel (4,5).
II. Insert wood dowel (B) to panel (4,5).



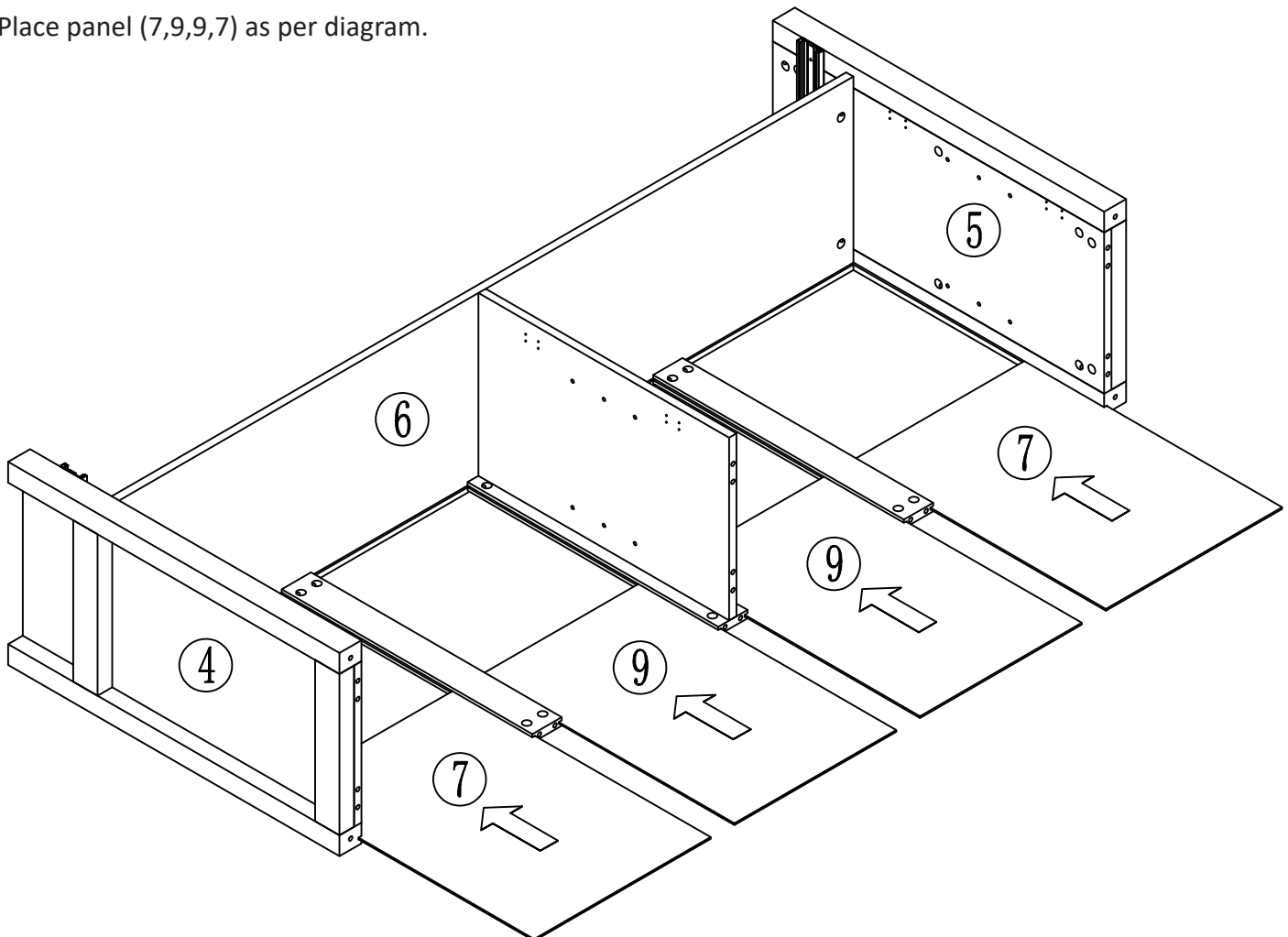
Step 5

I. Attach panel (4,5) on to panel (6), insert cam-lock (C) into the designated holes, then turn clockwise to lock onto cam-bolt.



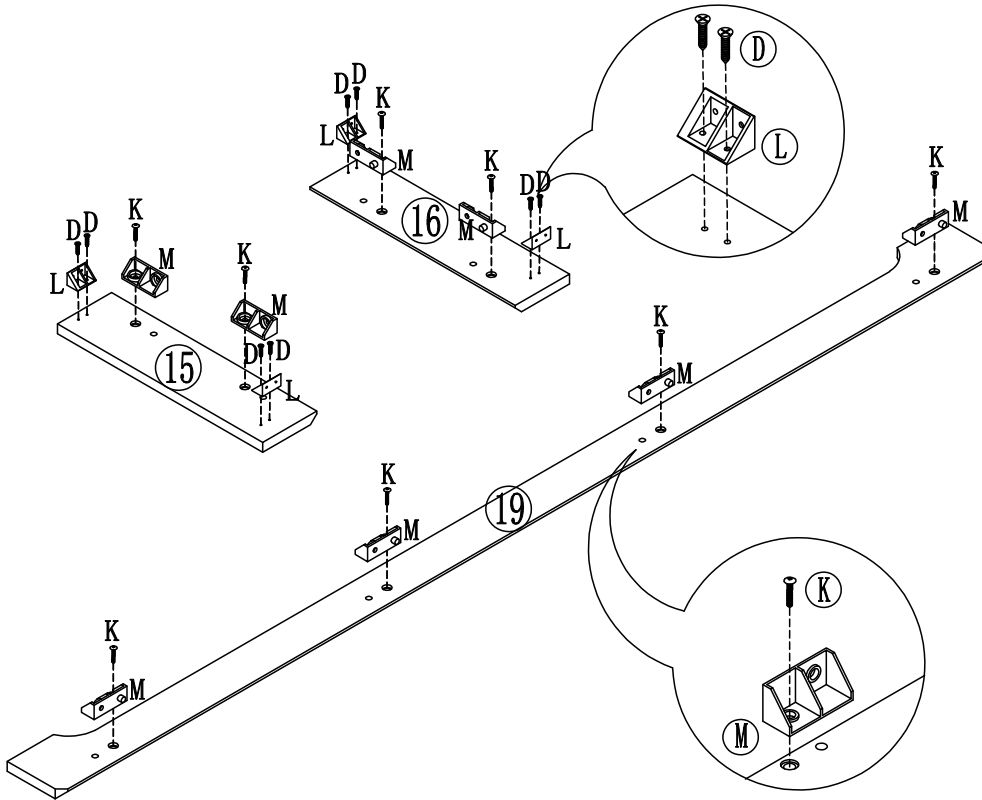
Step 6



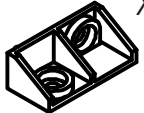
I. Place panel (7,9,9,7) as per diagram.



Step 7

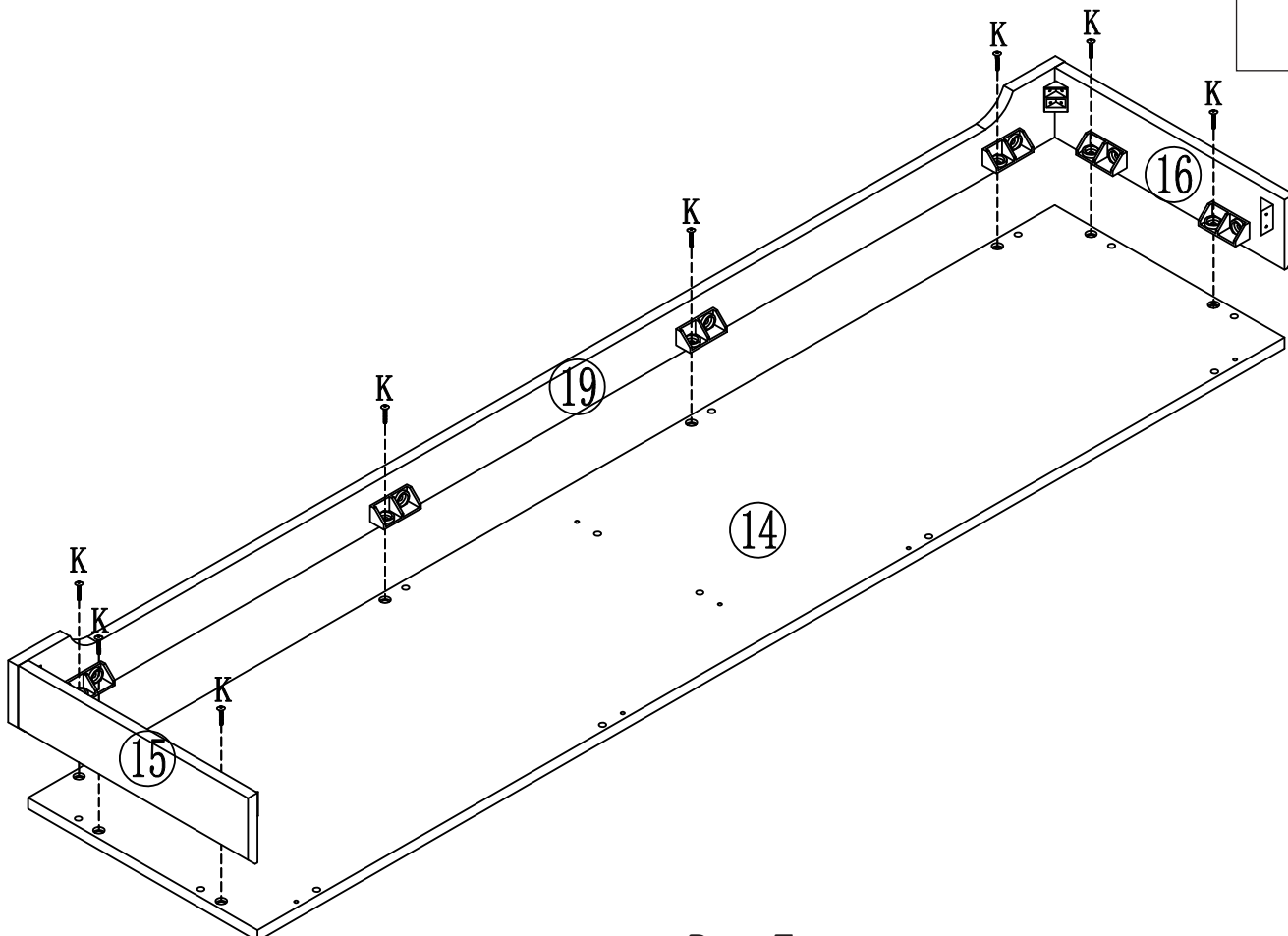
- I. Using screw(D) secure corner brace(L) to panel(15,16) with screwdriver as per diagram.
- II. Using screw(K) secure corner brace(M) to panel(15,16,19) with screwdriver as per diagram.




D		X8
K		X8
L		X4
M		X8

Step 8

- I. Attach panel(15,19,16) to panel(14), then using screw(K) to panel(14) with screwdriver.

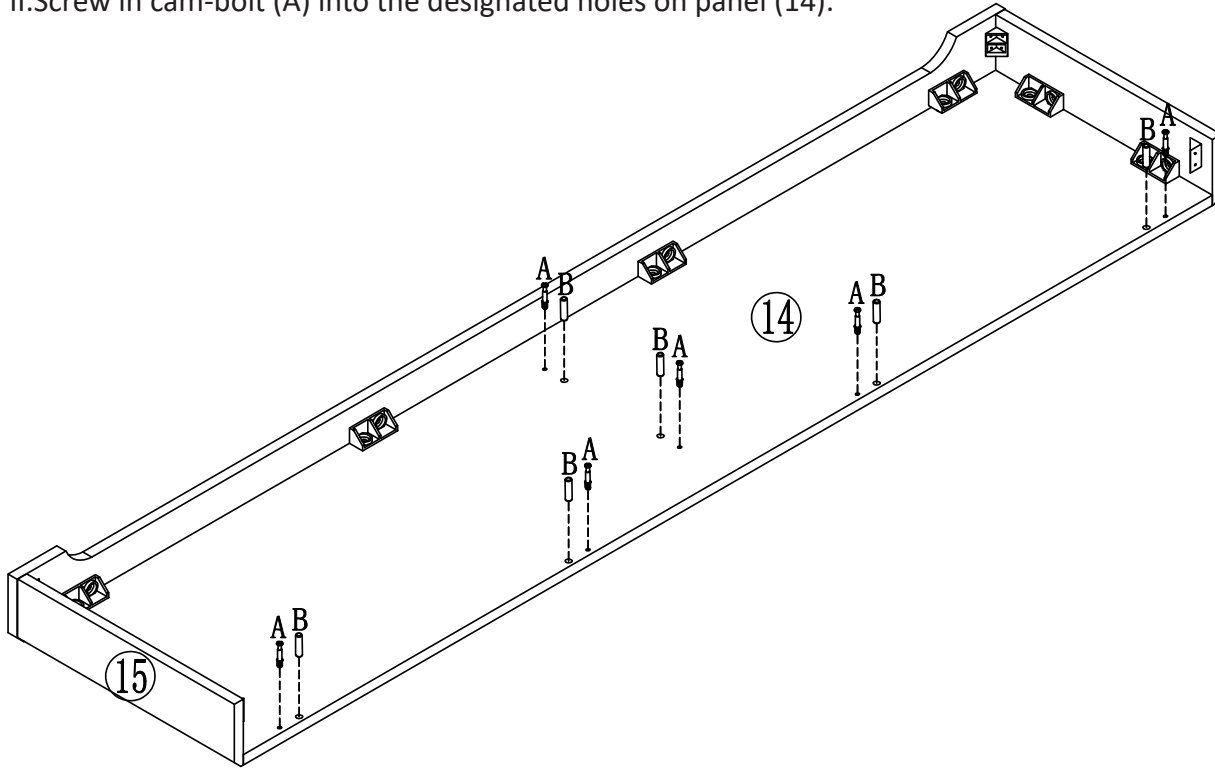
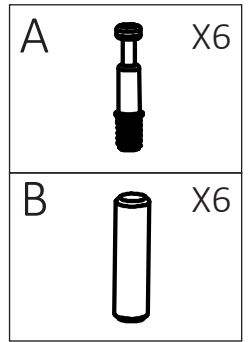


K		X8
---	---------------------------------------------------------------------------------------	----

Step 9

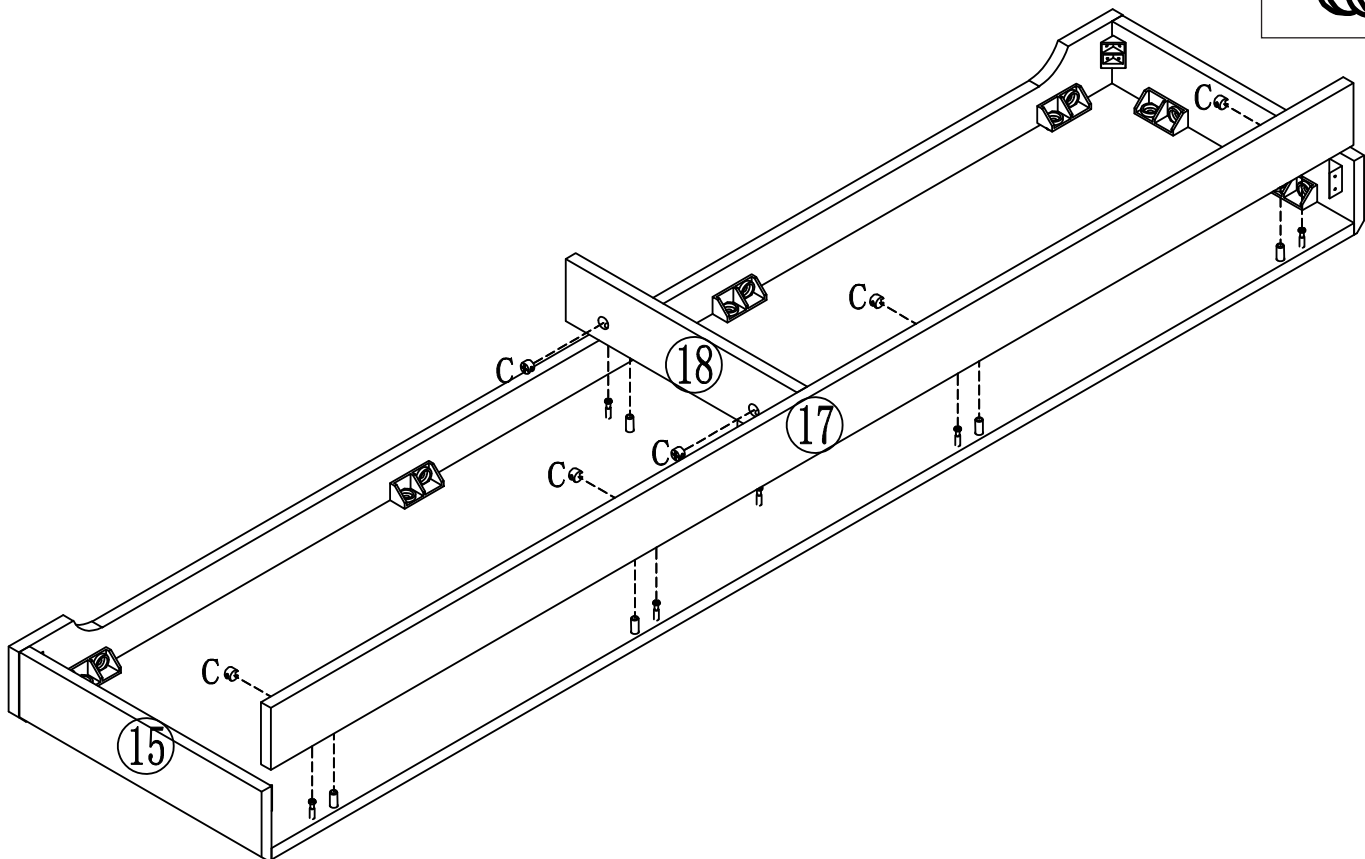
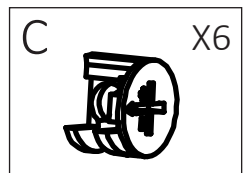
I. Insert wood dowel (B) to panel (14).

II. Screw in cam-bolt (A) into the designated holes on panel (14).



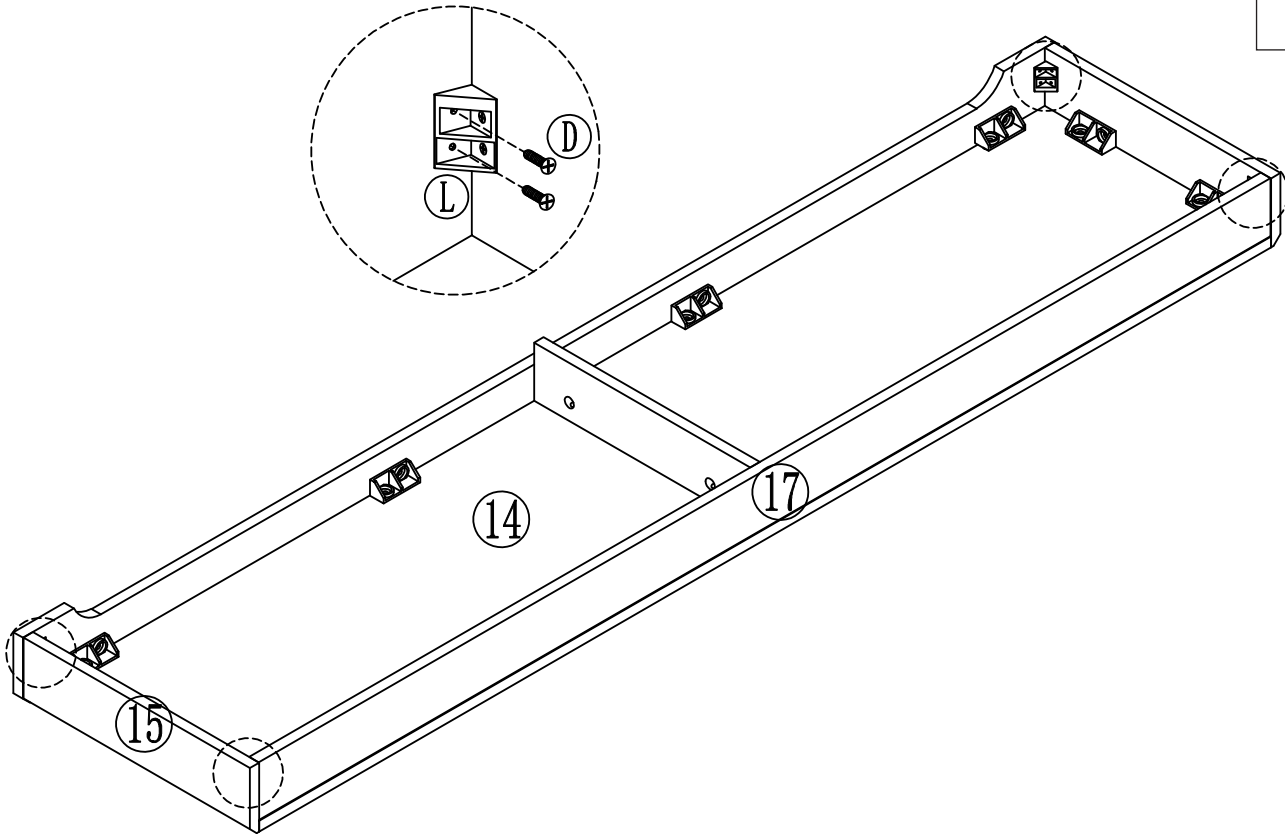
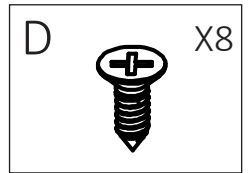
Step 10

I. Attach panel (17,18) on to panel (14), insert cam-lock (C) into the holes on panel (17,18), then turn clockwise to lock onto cam-bolt.



Step 11

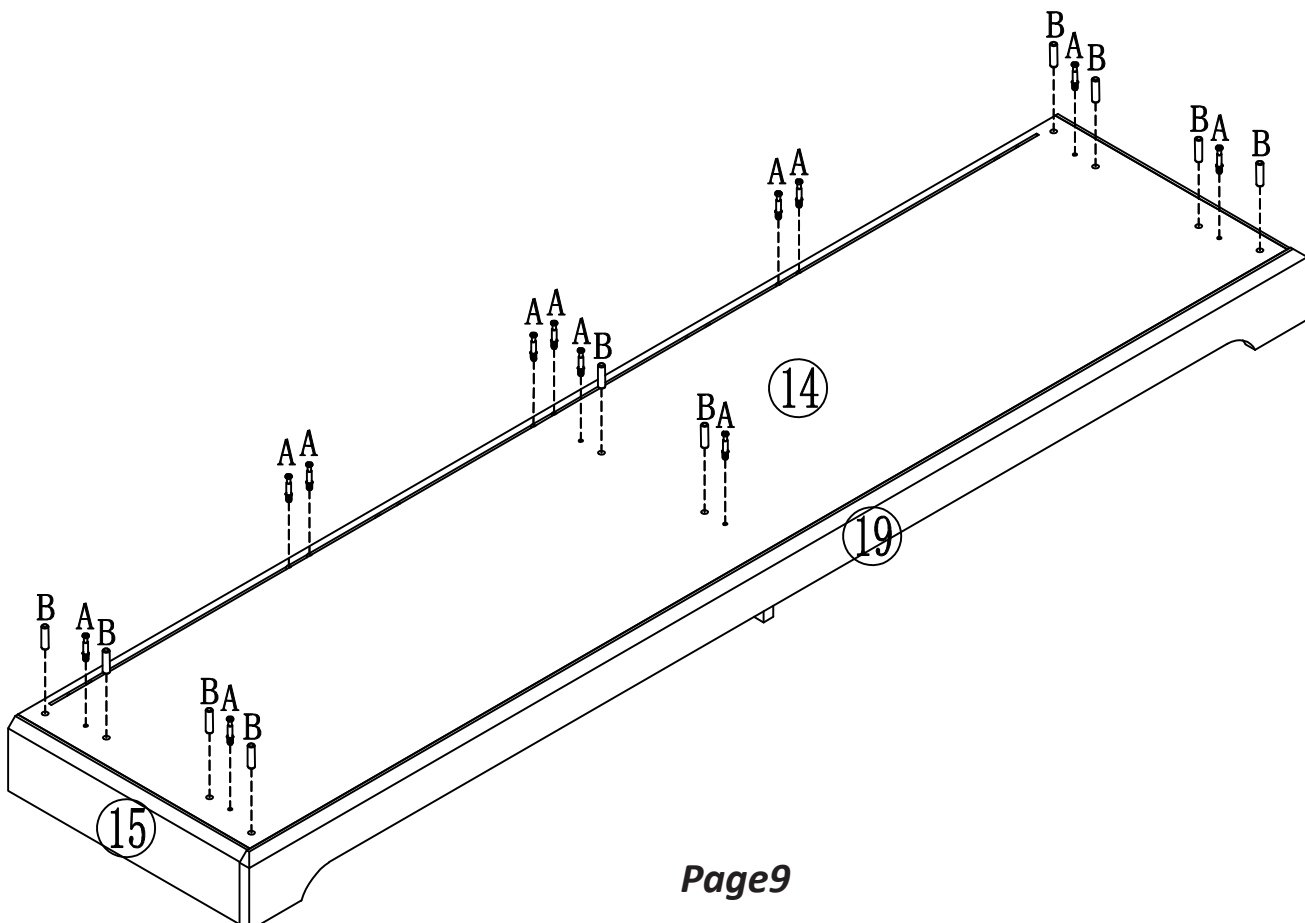
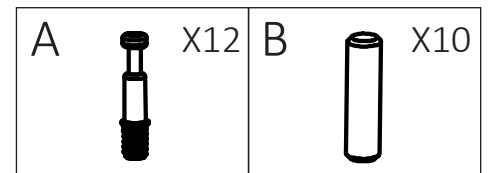
I.using screw(D) to coner brace(L)with screwdriver.



Step 12

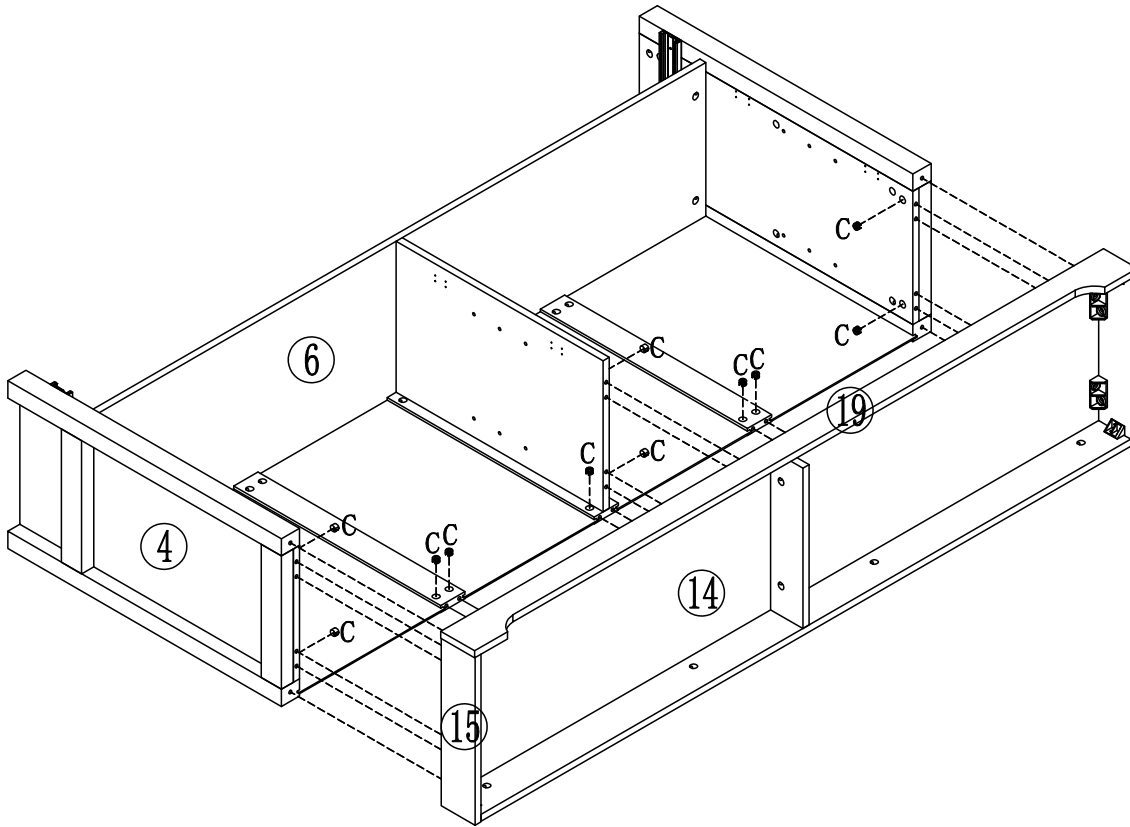
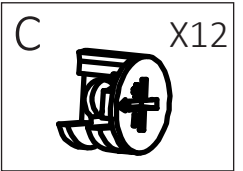
I.Insert wood dowel (B) to panel (14).

II.Screw in cam-bolt (A) into the designated holes on panel (14).



Step 13

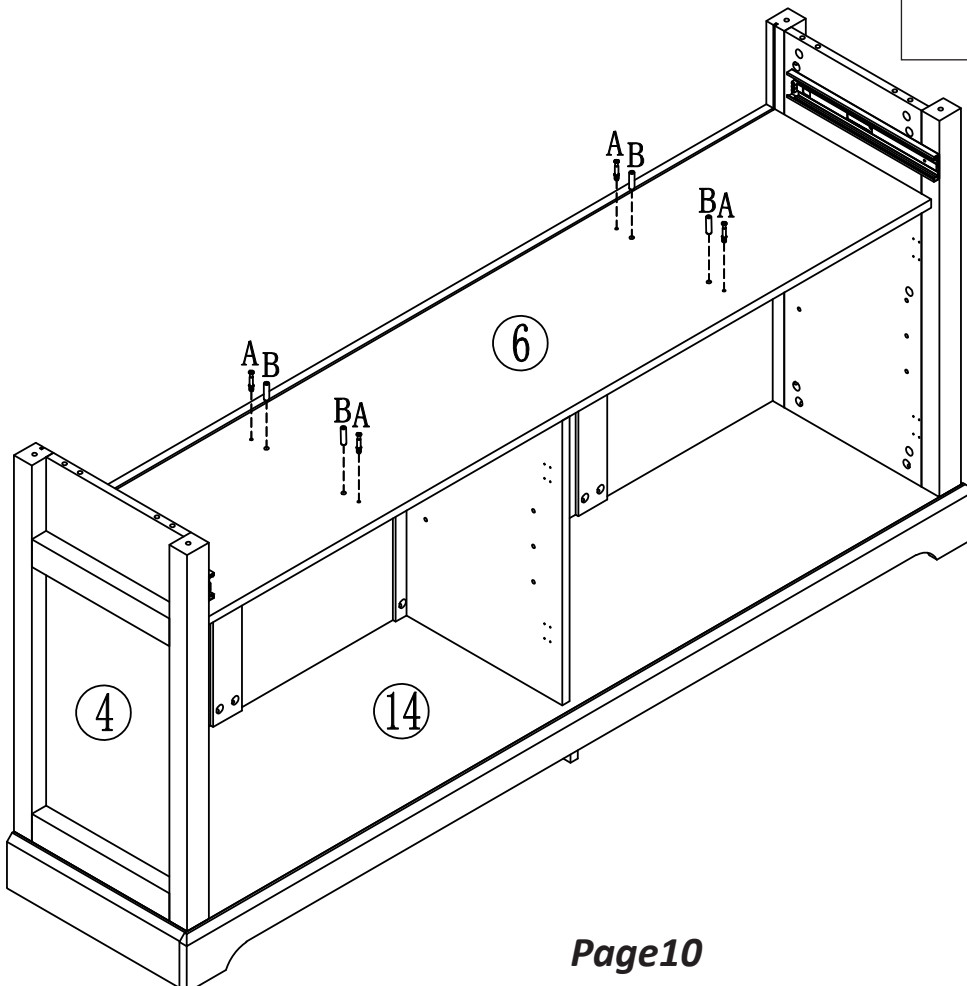
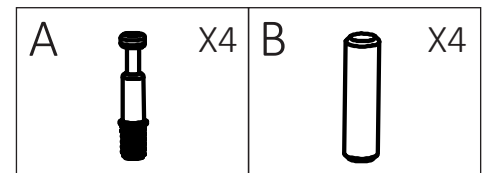
I. Screw in cam-lock (C) into the designated holes on panel as per diagram.



Step 14

I. Insert wood dowel (B) to panel (6).

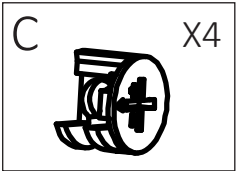
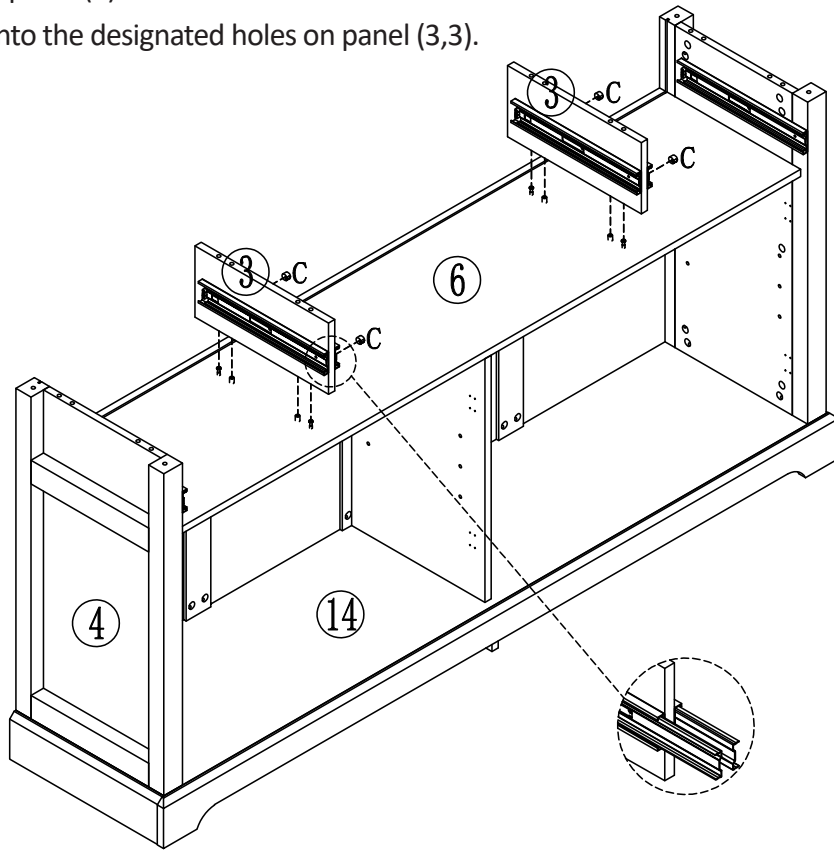
II. Screw in cam-bolt (A) into the designated holes on panel (6).



Step 15

I. Attach panel (3,3) on to panel (6).

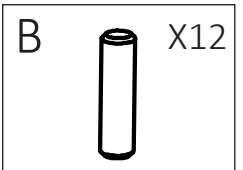
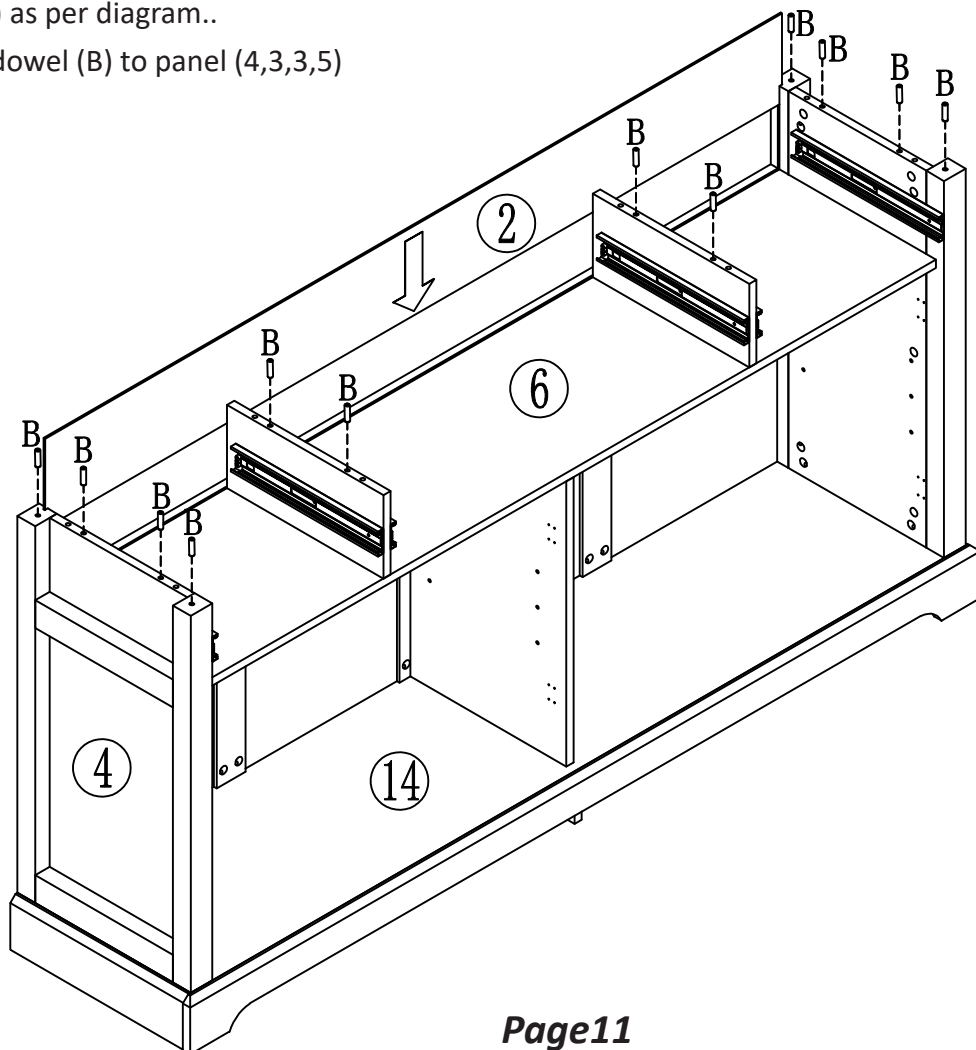
II. Screw in cam-lock (C) into the designated holes on panel (3,3).



Step 16

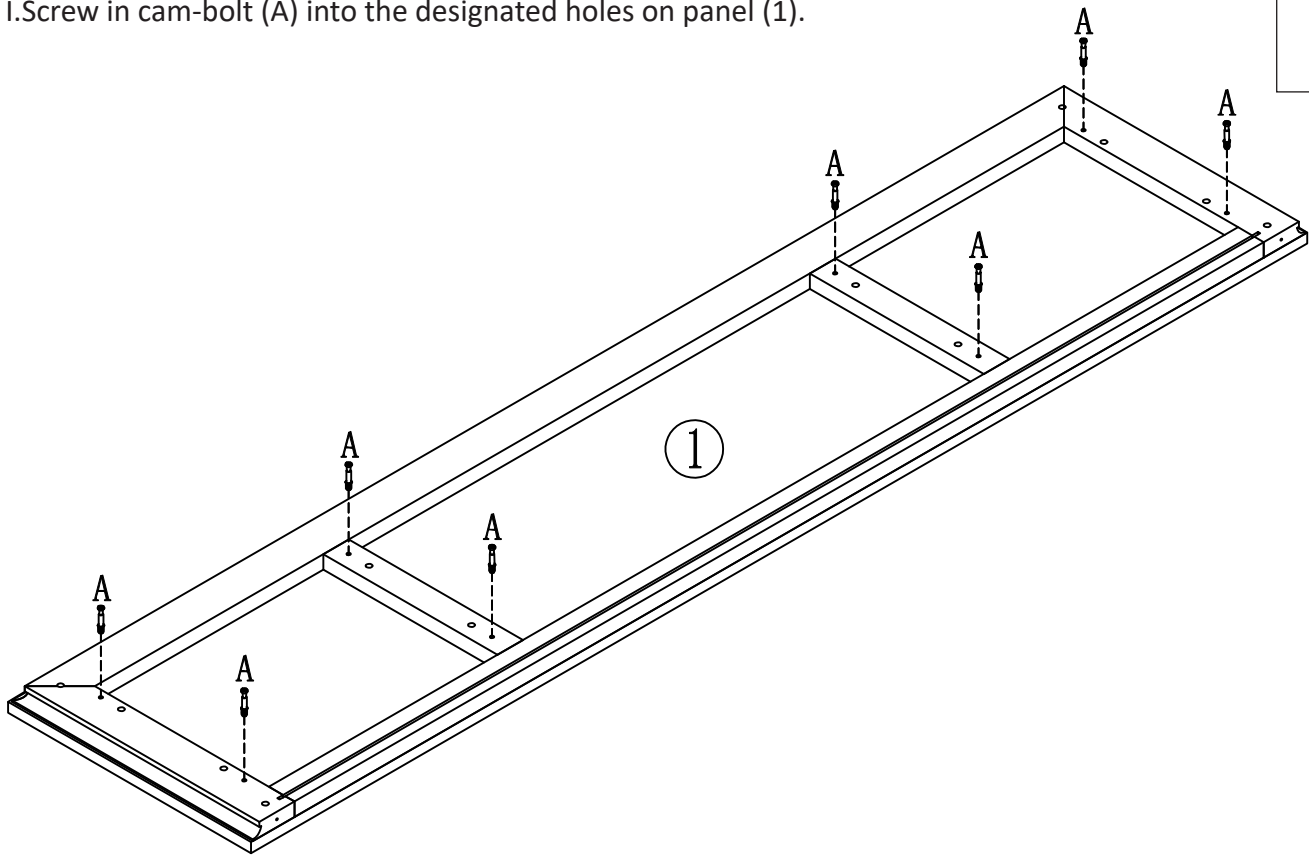
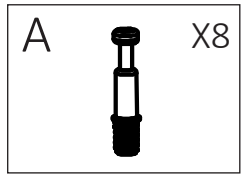
I. Place panel (2) as per diagram..

II. Insert wood dowel (B) to panel (4,3,3,5)



Step 17

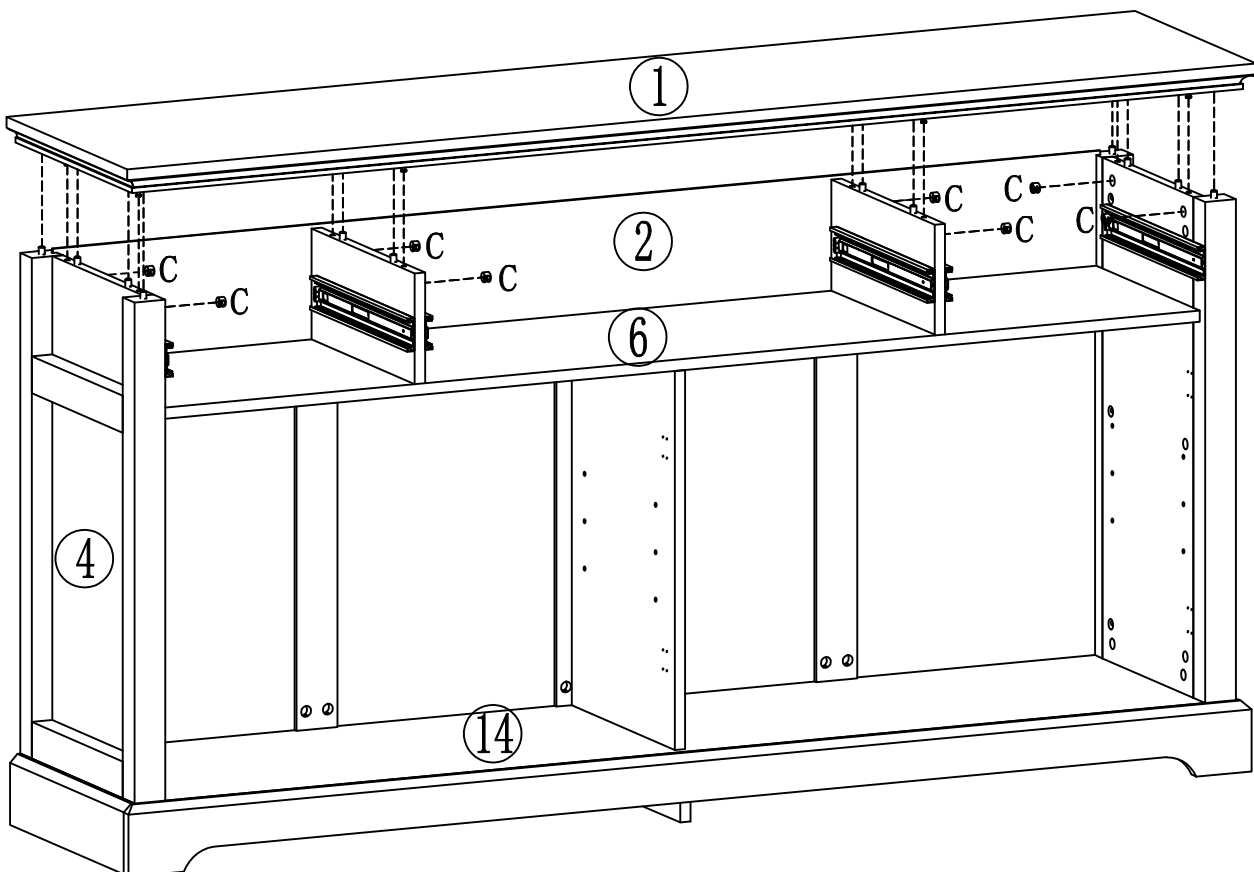
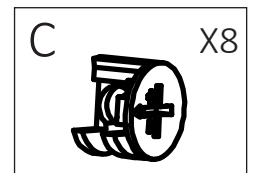
I. Screw in cam-bolt (A) into the designated holes on panel (1).



Step 18

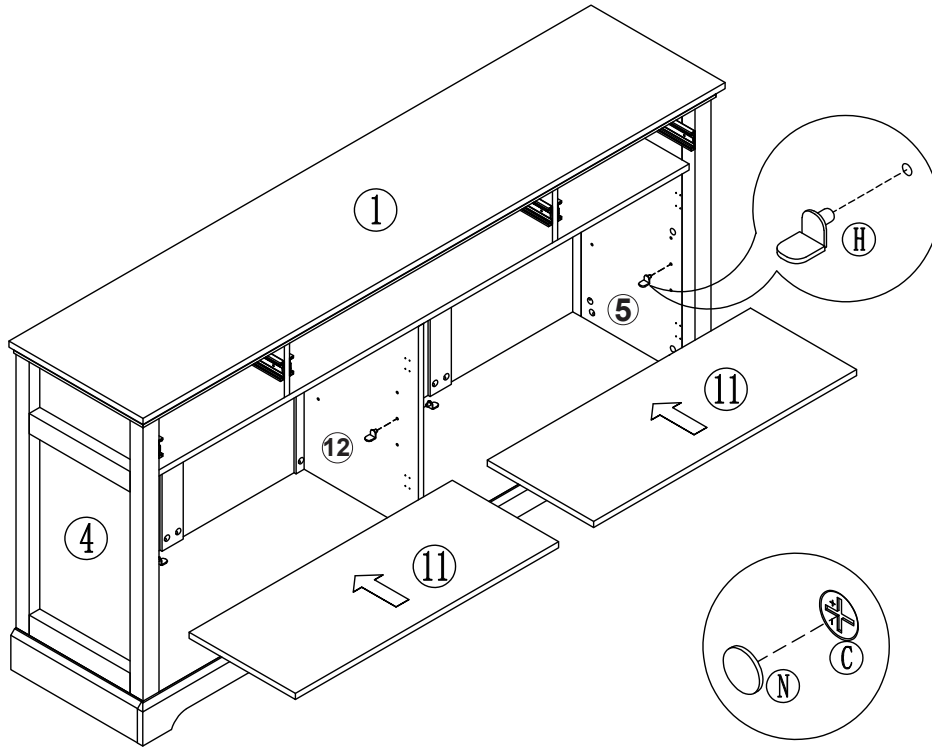
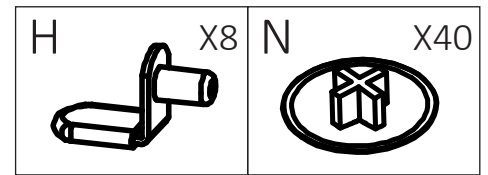
I. Attach panel (1) on to panel (4,3,3,5,2).

II. Screw in cam-lock (C) into the designated holes on panel (4,3,3,5).



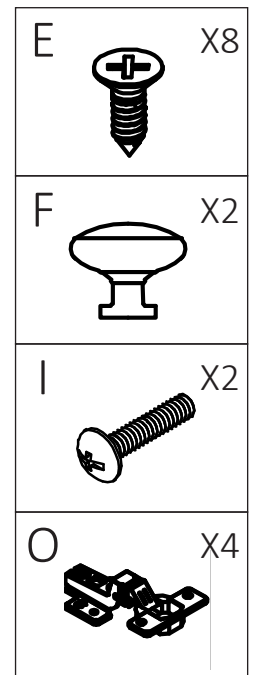
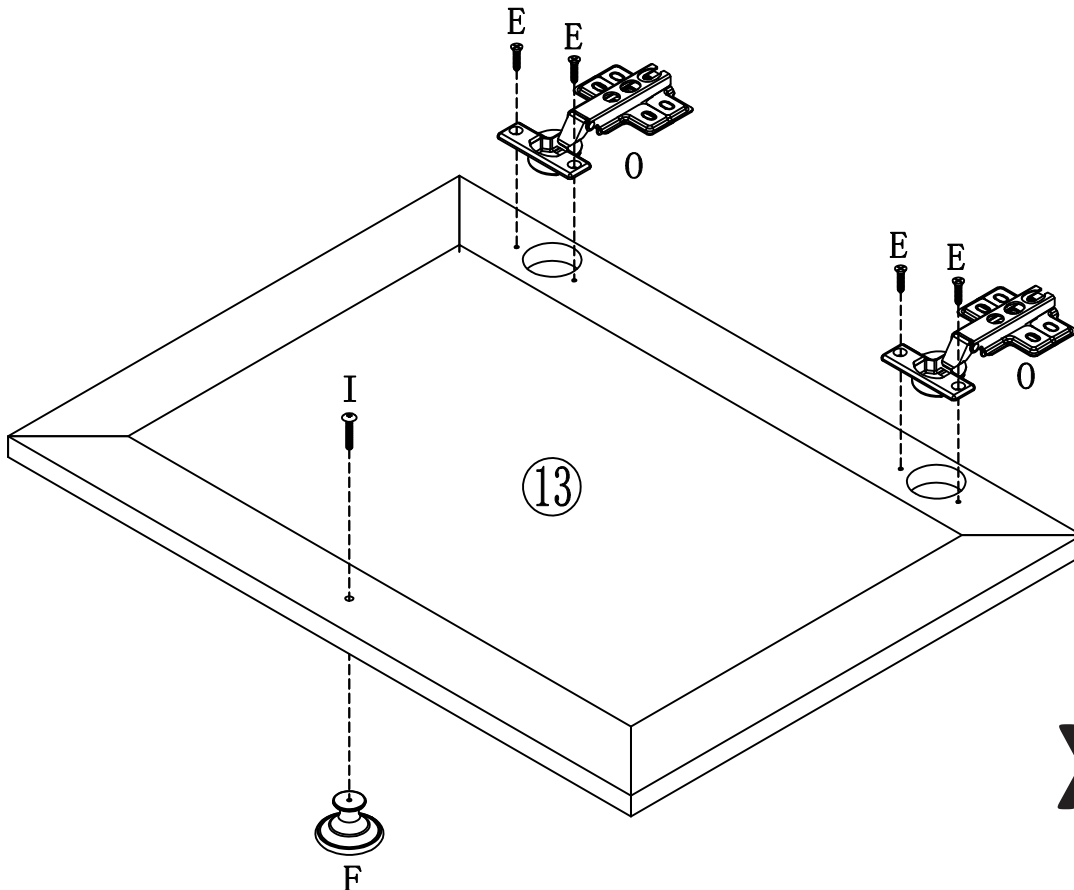
Step 19

- I. Insert shelf support pin (H) into panel (4,12,5).
- II. Tilt and rest the adjustable shelf (11,11) onto the shelf support pins.
- III. Place screw sticker cover (M) to cover the holes as per diagram.



Step 20

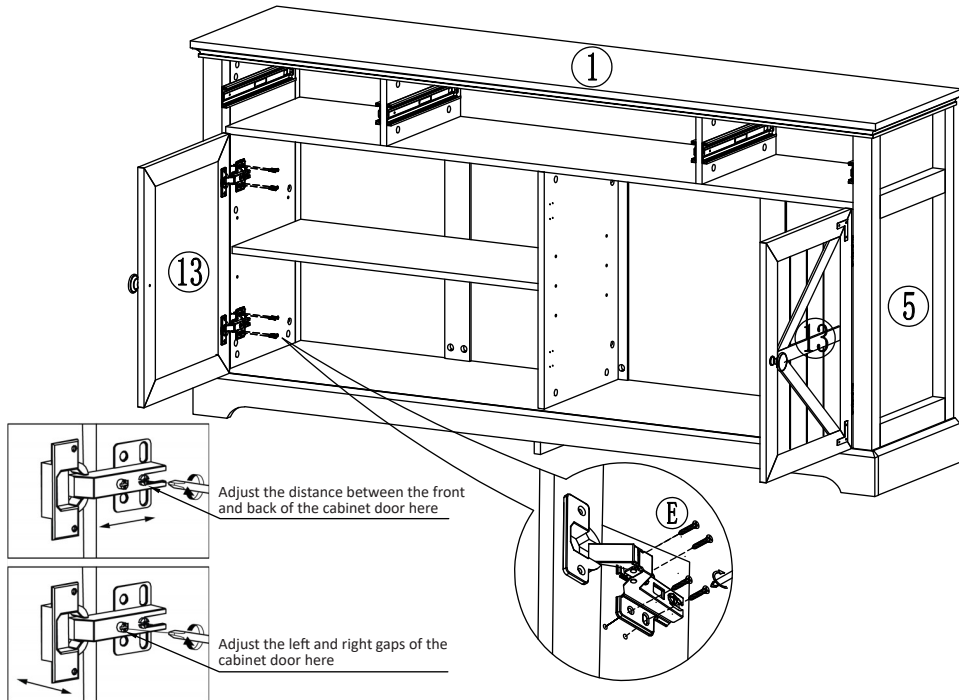
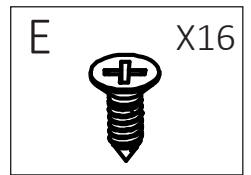
- I. Using screw (E) attach hinge (O) to panel (13) with screwdriver.
- II. Using Screw (I) secure handle (F) to part (13) with screwdriver as per diagram.



Step 21

I. Using screw (E) attach hinge (O) on panel (13,13) to panel (4,5) with screwdriver as per diagram.

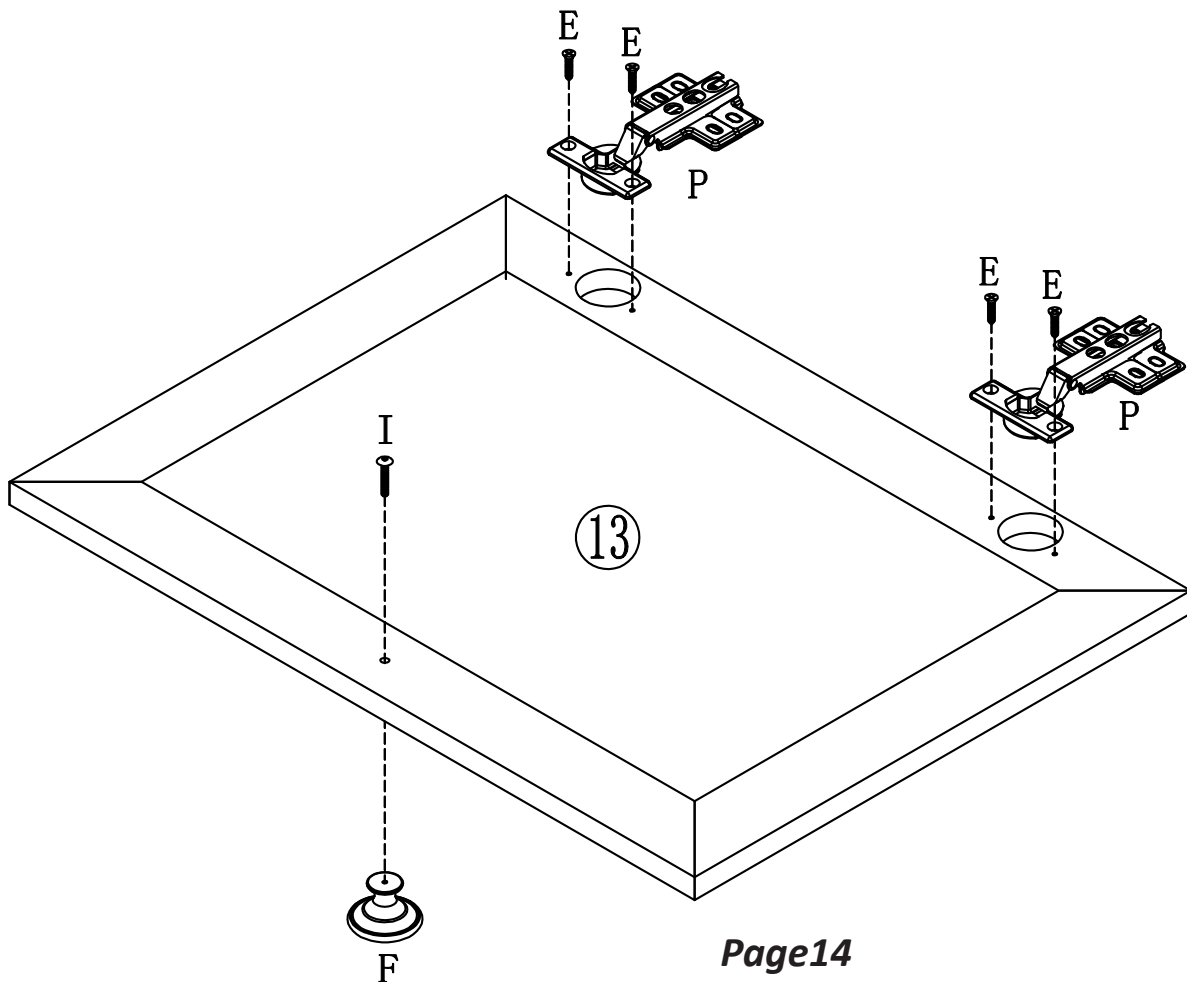
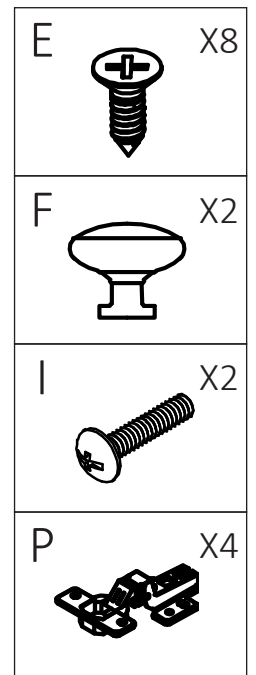
Note: To ensure the door gap consistent, install the hinges on the lower part of the door panel first, and then install the hinges on the upper part.



Step 22

I. Using screw (E) attach hinge (O) to panel (13) with screwdriver.

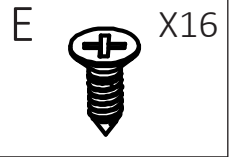
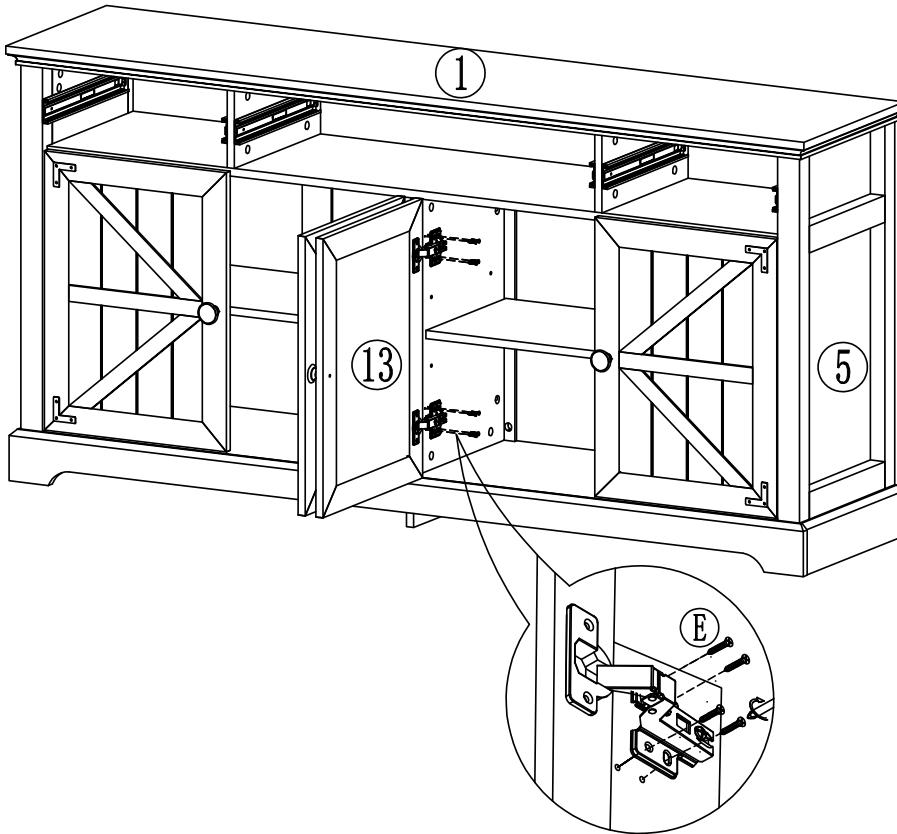
II. Using Screw (I) secure handle (F) to part (13) with screwdriver as per diagram.



X2

Step 23

I. Using screw (E) attach hinge (P) on panel (13,13) to panel (12) with screwdriver as per diagram.



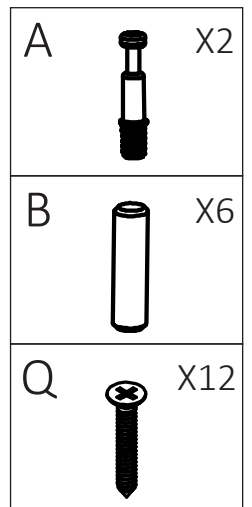
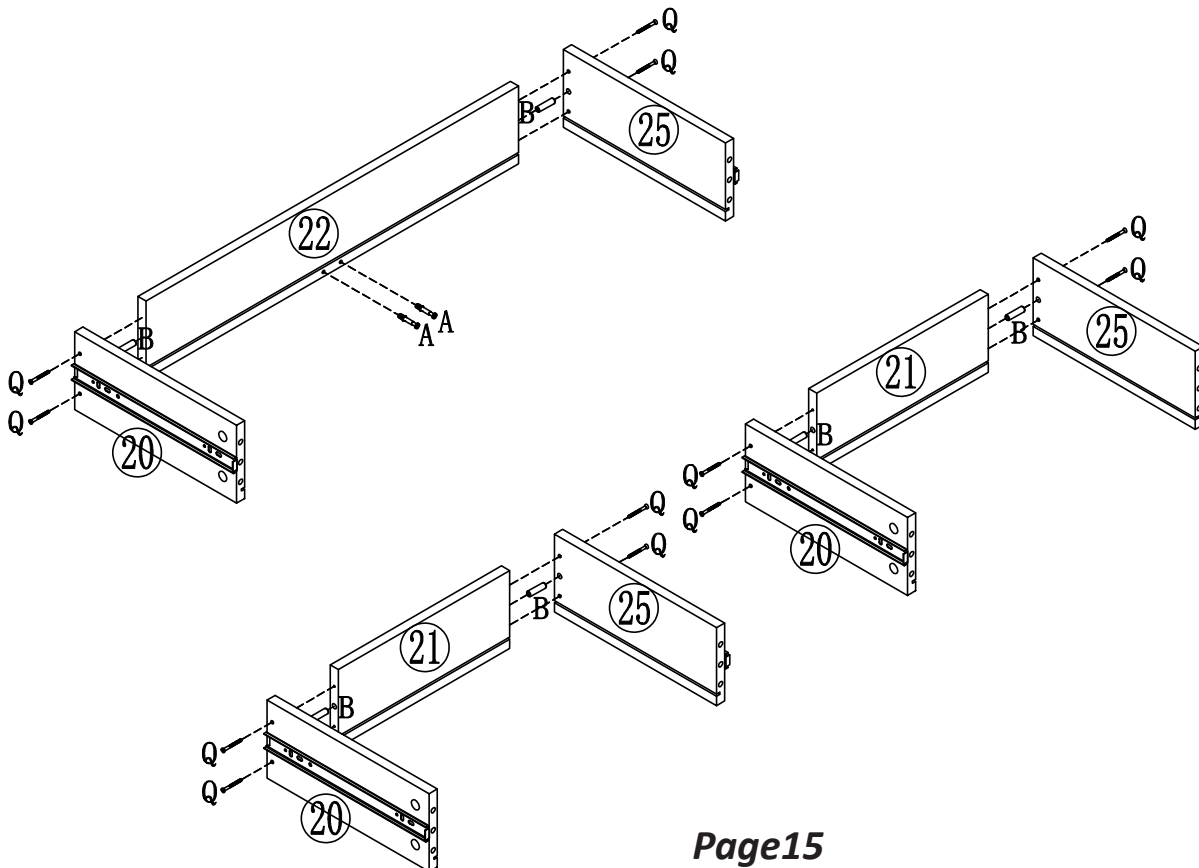
Step 24

I. Screw in cam-bolt (A) into the designated holes on panel (22).

II. Insert wood dowel (B) to panel (22,21).

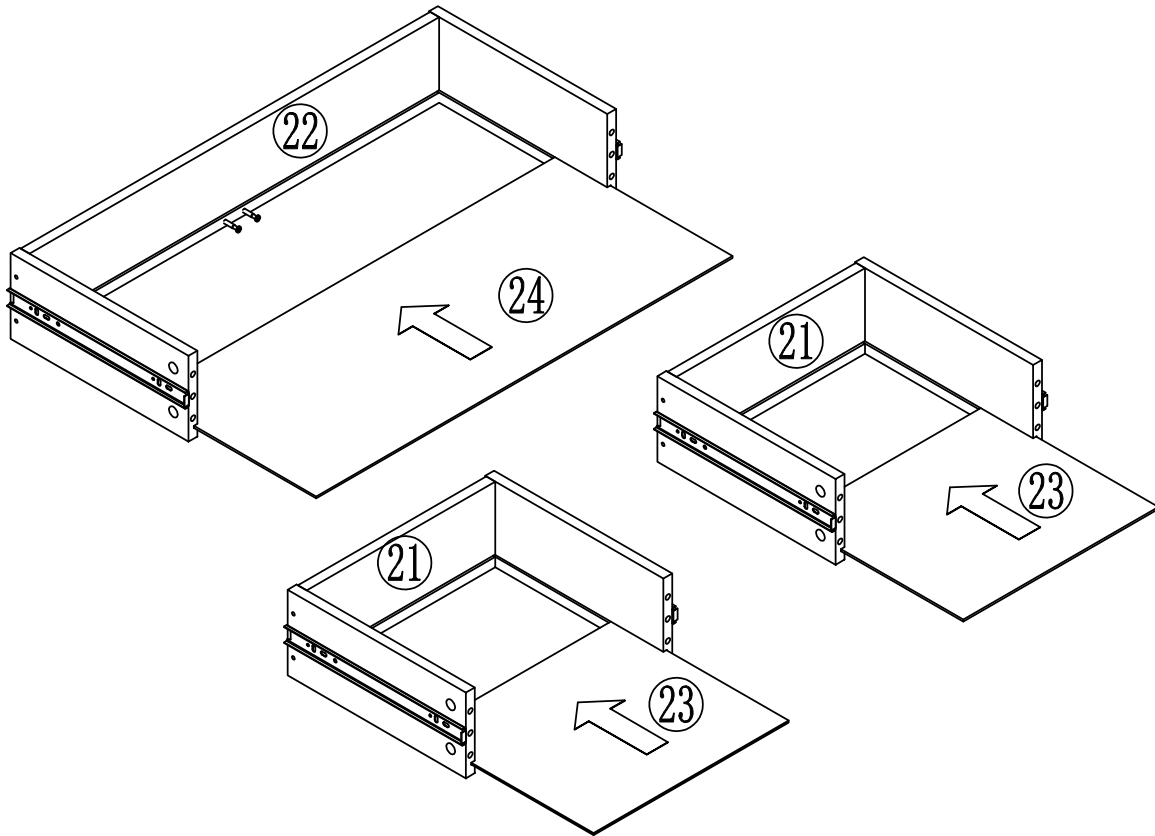
III. Using screw (Q) secure panel (20,25) to panel (22) with screwdriver as per diagram.

IV. Using screw (Q) secure panel (20,25) to panel (21) with screwdriver as per diagram.



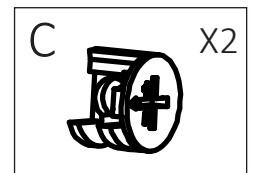
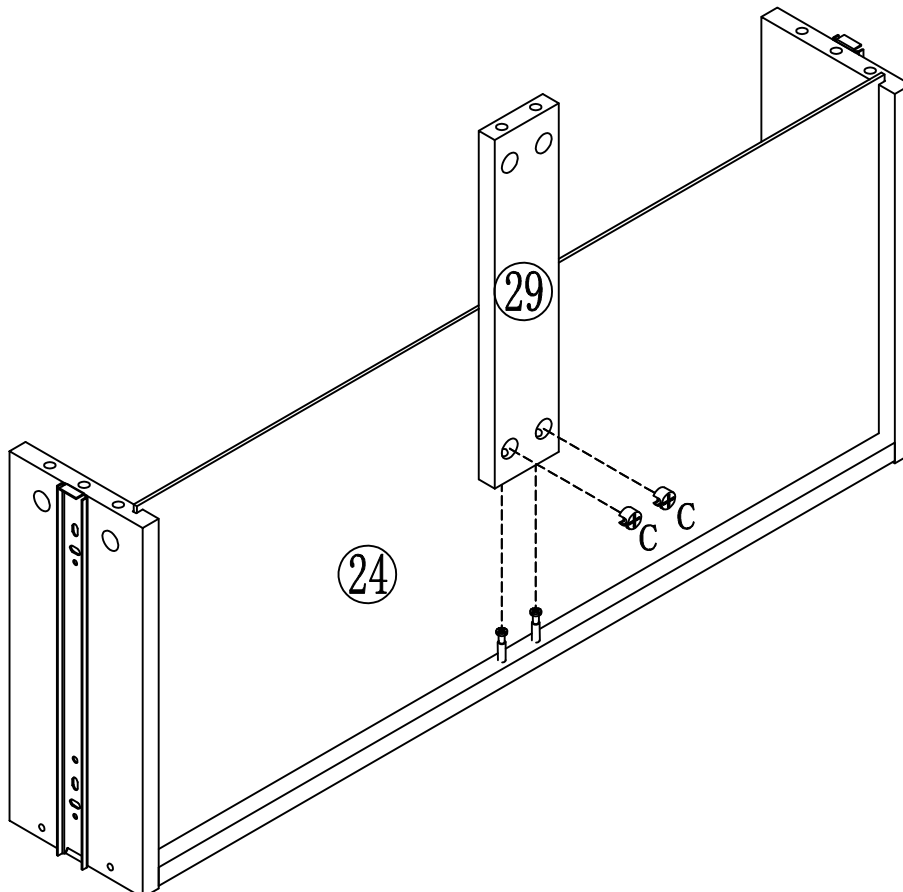
Step 25

I. Place panel (23,24) as per diagram.



Step 26

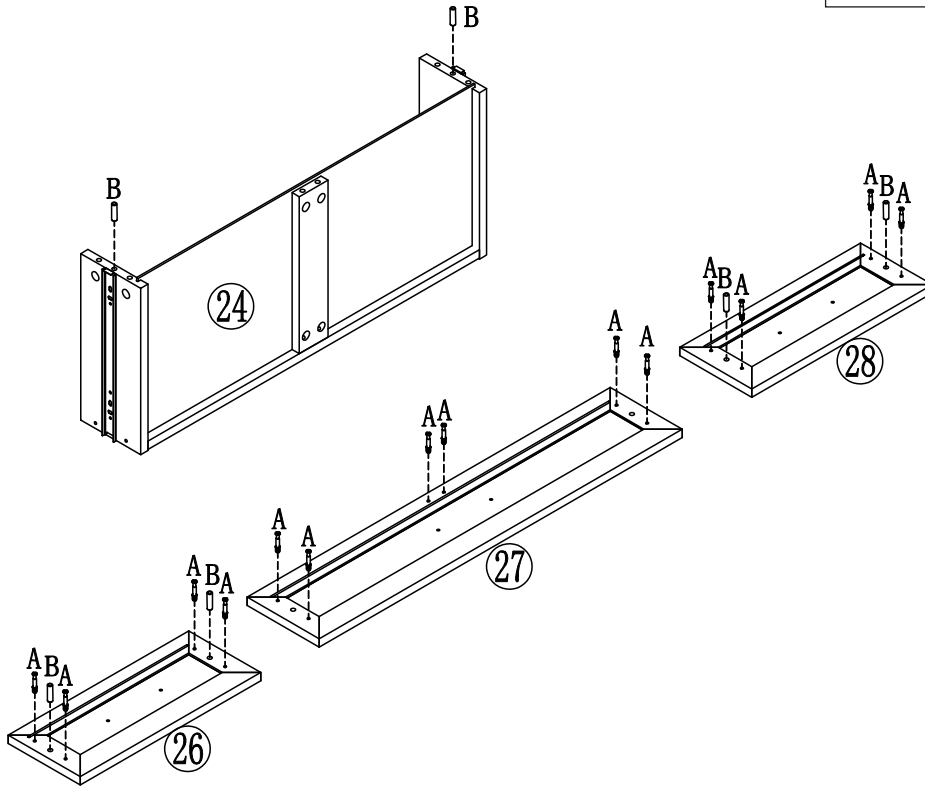
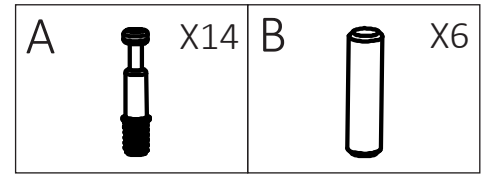
I. Attach panel (29) on to panel (22), then screw in cam-lock (C) into the designated holes on panel (29).



Step 27

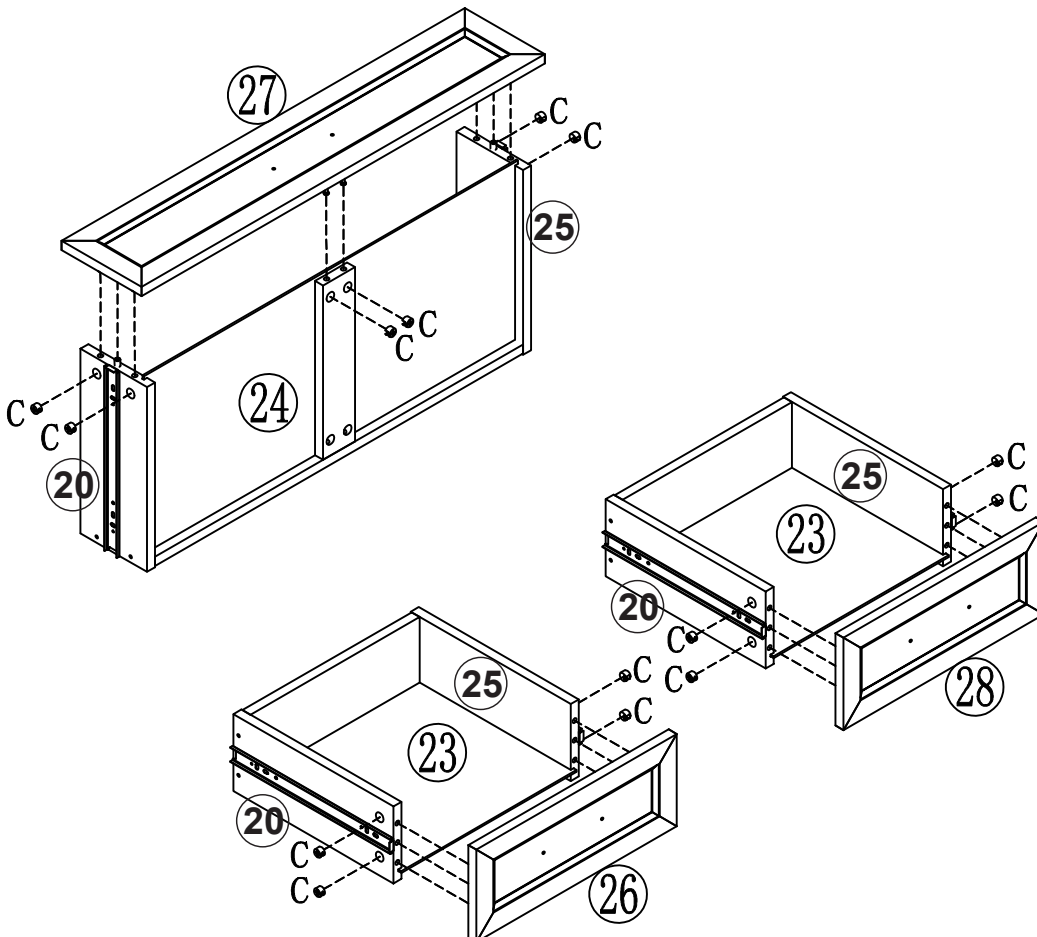
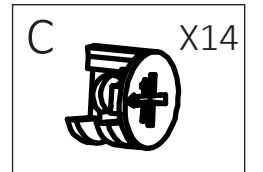
I. Insert wood dowel (B) to panel (20,25,26,27,28).

II. Screw in cam-bolt (A) into the designated holes on panel (26,27,28).



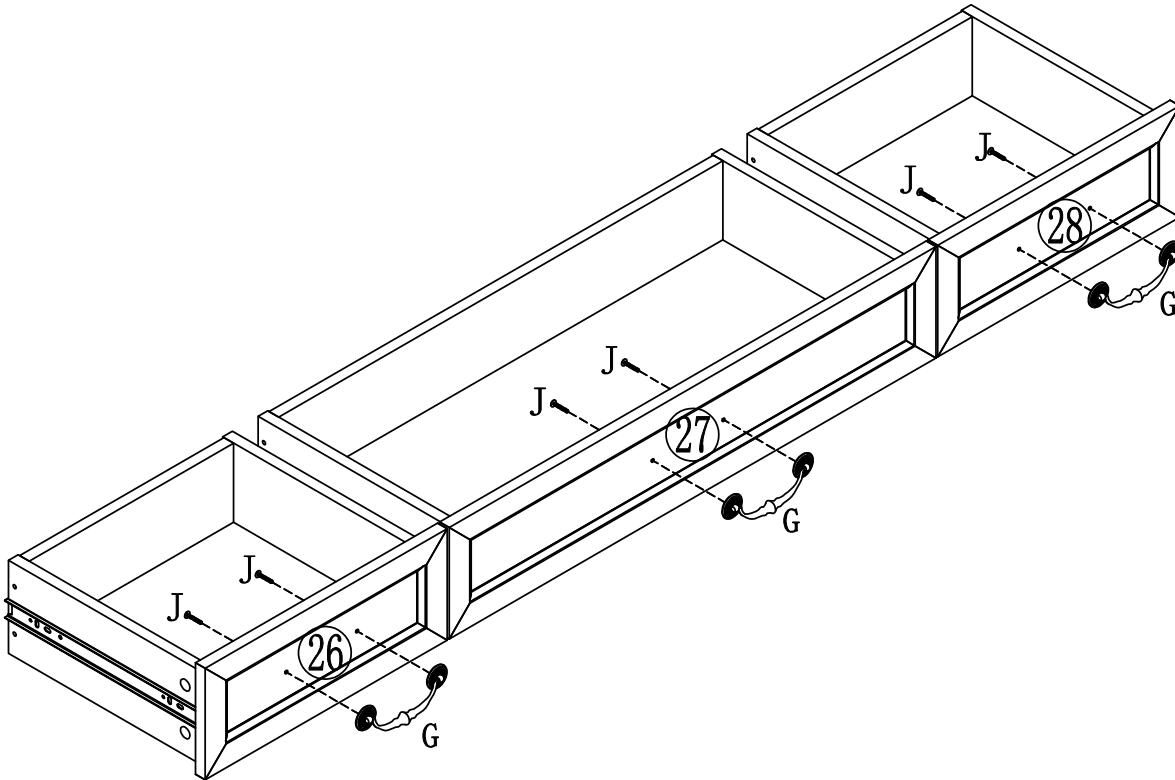
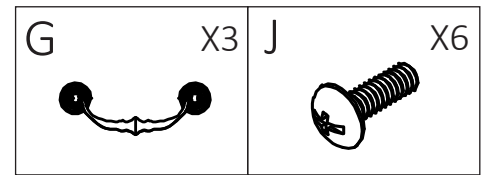
Step 28

I. Screw in cam-lock (C) into the designated holes on panel (20,25).



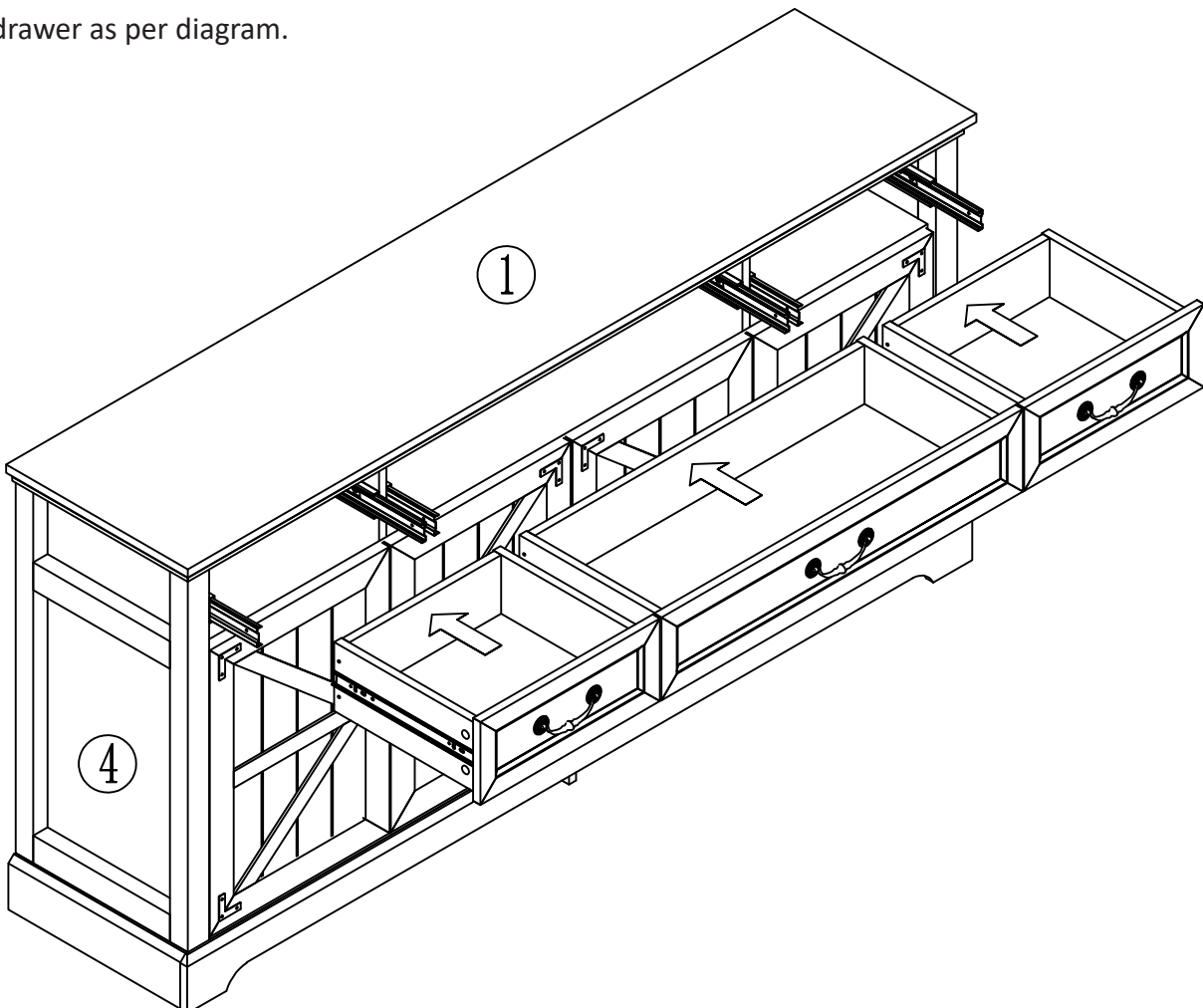
Step 29

I. Using screw (J) secure handle (G) to panel (26,27,28) with screwdriver as per diagram.



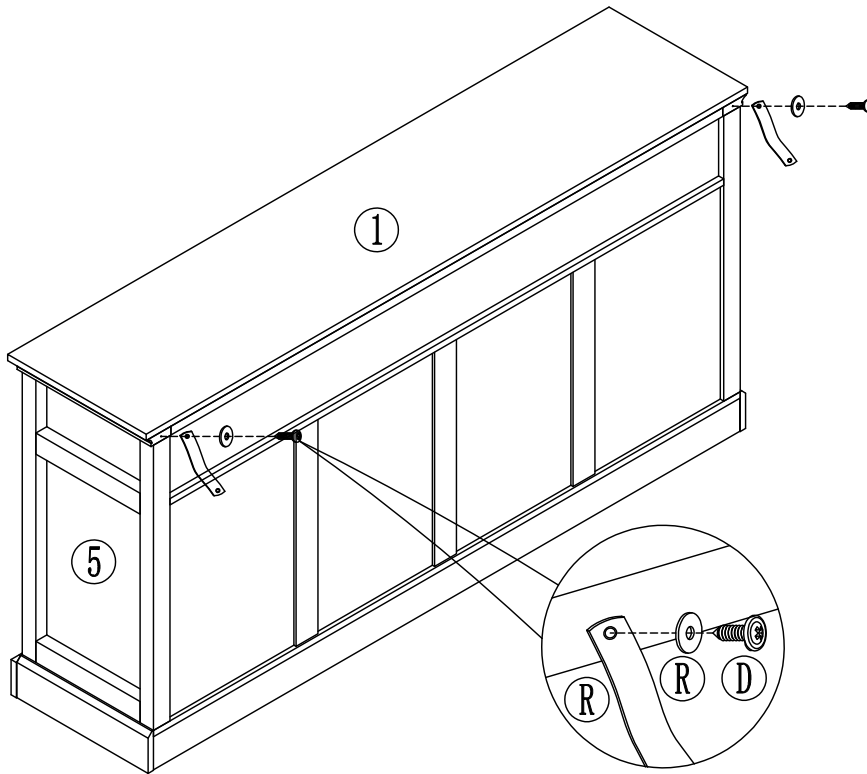
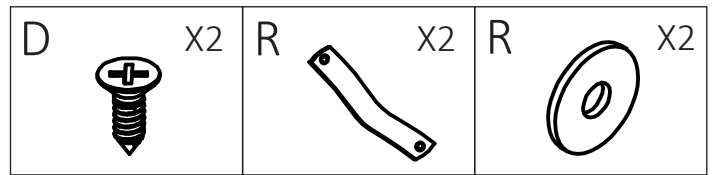
Step 30

I. Place drawer as per diagram.



Step 31

I. Using screw (D) attach plastic strap (R) to panel (1) with screwdriver as per diagram.



Step 32

- I. Mark the drill position on the wall with a pencil.
- II. Drill a small hole on the marked position.
- III. Insert wall anchor (S) into the drilled hole.
- IV. Using screw (S) attach plastic strap (S) and Nut (W) to wall with screwdriver as per diagram.

