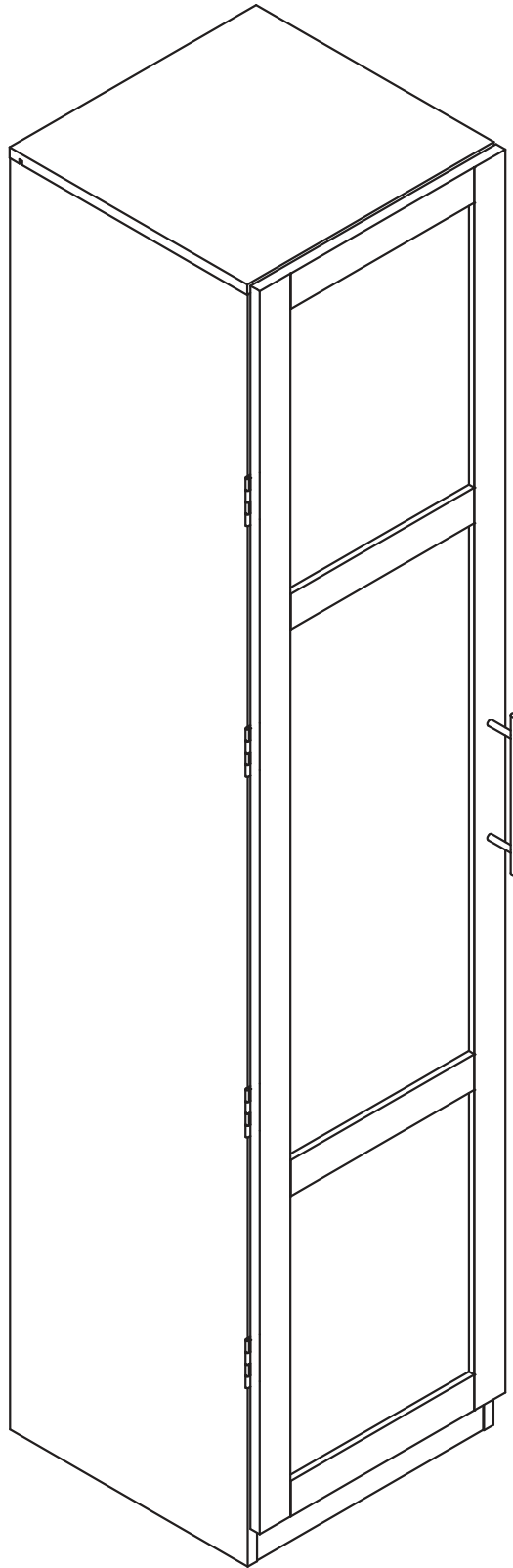
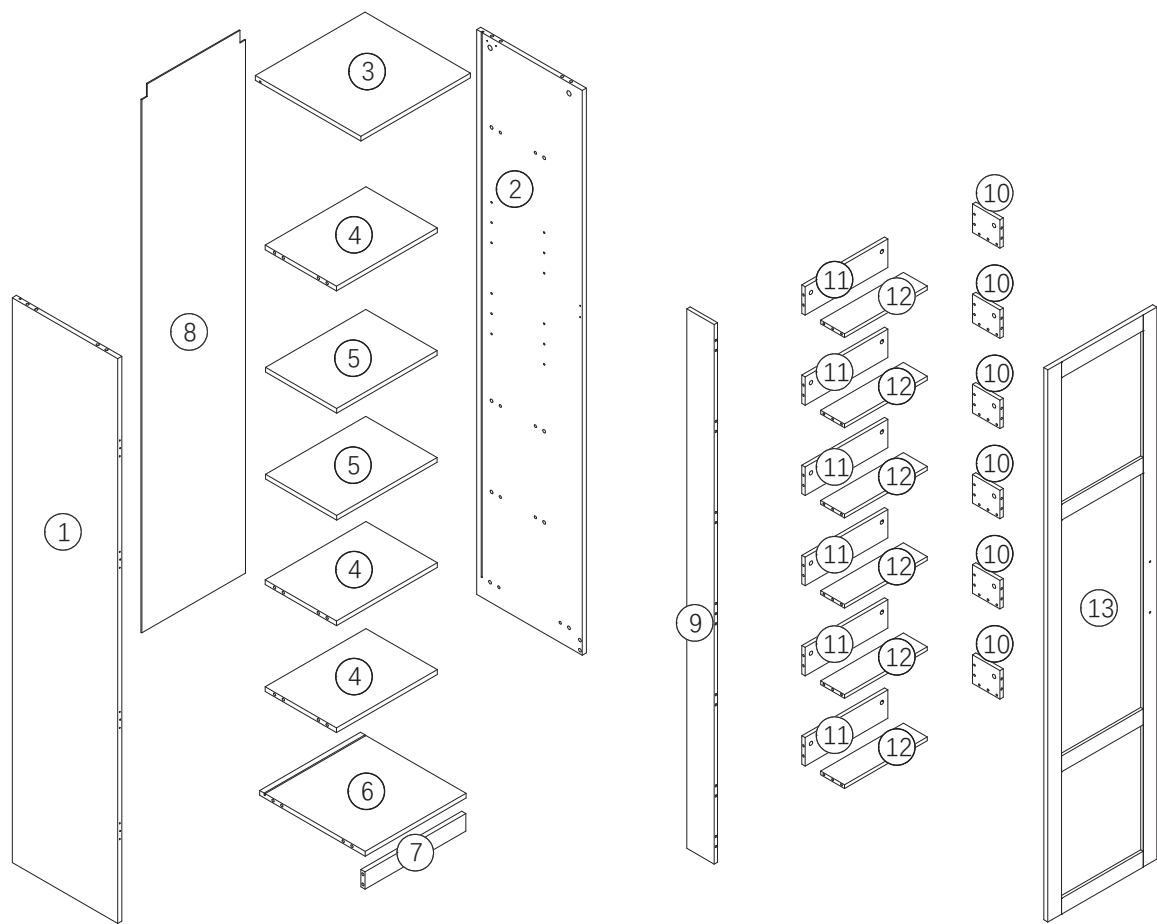


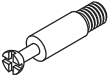

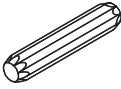
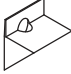


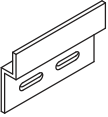
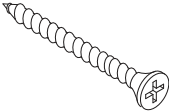
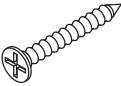
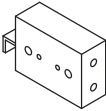
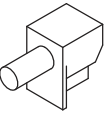
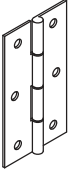
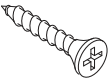
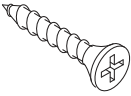
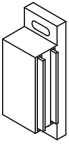
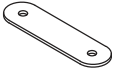
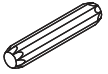

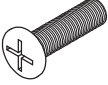
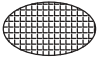


Installation & Assembly





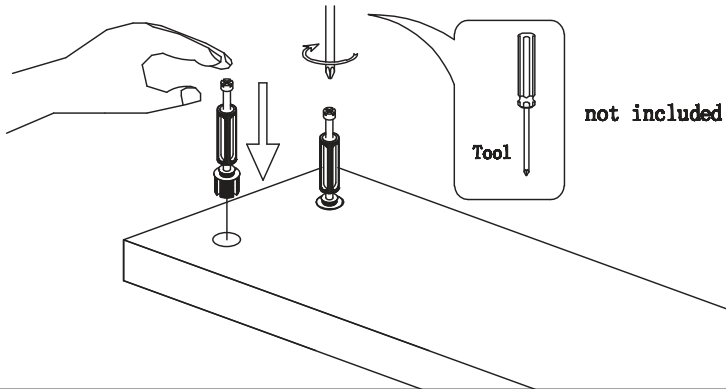
<p>A</p>  <p>24PCS</p>	<p>B 15*12</p>  <p>24PCS</p>	<p>C 28</p>  <p>50PCS</p>	<p>D 12*10</p>  <p>50PCS</p>	<p>E 8*40</p>  <p>20PCS</p>	<p>F</p>  <p>10PCS</p>
<p>G 3*12</p>  <p>10PCS</p>	<p>H 6*30</p>  <p>4PCS</p>	<p>I</p>  <p>2PCS</p>	<p>J 3.5*35</p>  <p>4PCS</p>	<p>K 3.5*25</p>  <p>4PCS</p>	<p>L</p>  <p>2PCS</p>
<p>M</p>  <p>8PCS</p>	<p>N</p>  <p>4PCS</p>	<p>O 3*14</p>  <p>24PCS</p>	<p>P 3.5*14</p>  <p>4PCS</p>	<p>Q</p>  <p>1PCS</p>	<p>R</p>  <p>1PCS</p>
<p>S 6*30</p>  <p>37PCS</p>	<p>T 160</p>  <p>1PCS</p>	<p>U 4*20</p>  <p>2PCS</p>	<p>V</p>  <p>60PCS</p>		



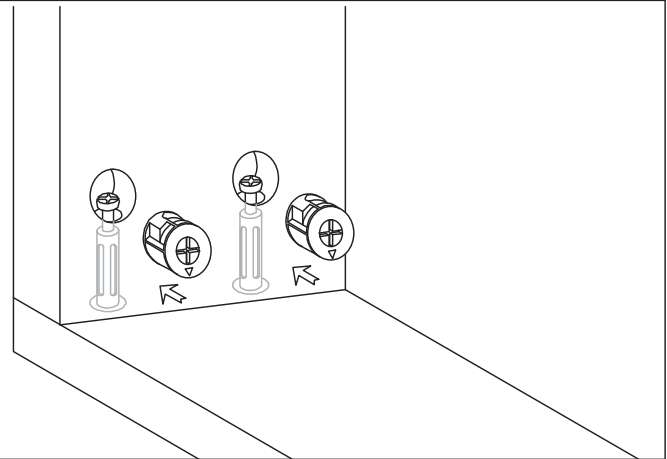
Hardware installation demonstration

NOTE: Please make sure "A" hardware tightened and can't be pulled out!

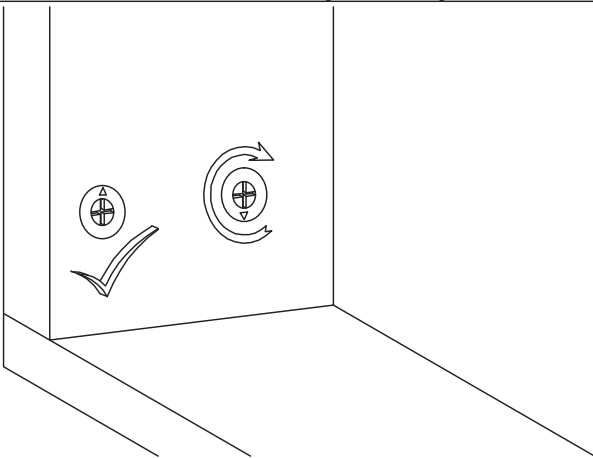
I



II



III

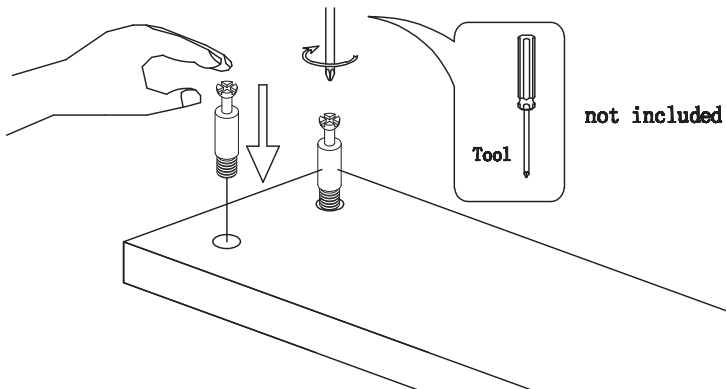




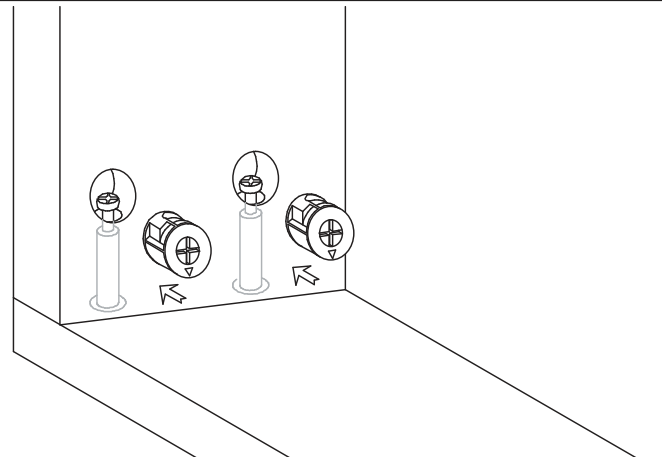
Hardware installation demonstration

NOTE: Please make sure "C" hardware tightened and can't be pulled out!

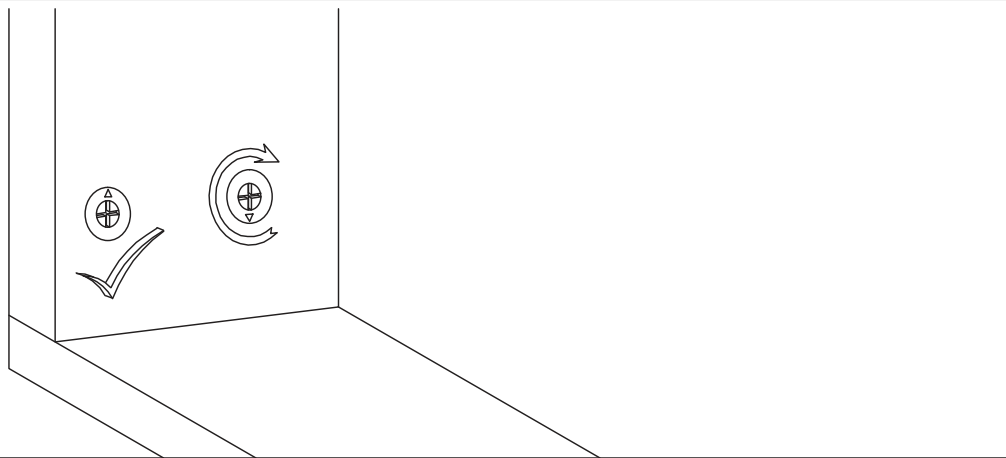
I



II

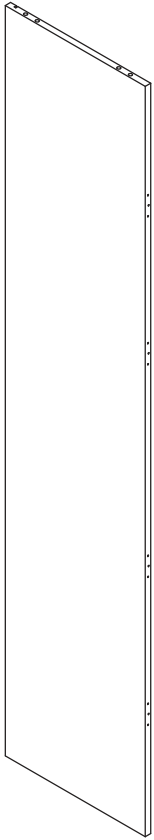


III



1

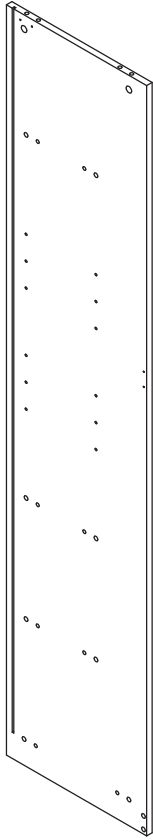
1785*385



1pc

2

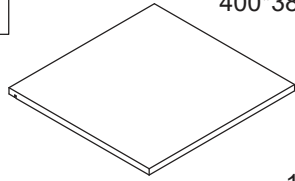
1785*385



1pc

3

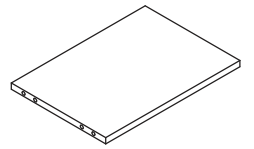
400*385



1pc

4

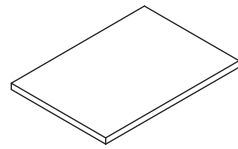
368*260



3pcs

5

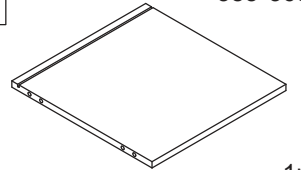
366*260



2pcs

6

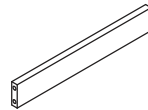
385*368



1pc

7

368*55



1pc

8

1725*378

9

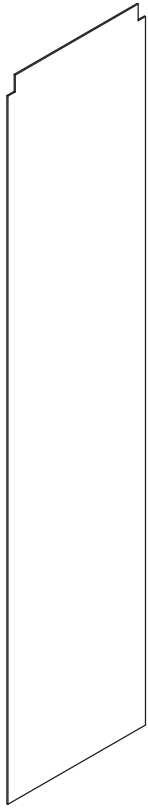
1705*100

10

100*90

13

1745*398



1pc



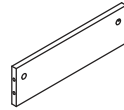
1pc



6pcs

11

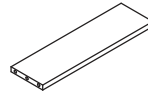
302*90



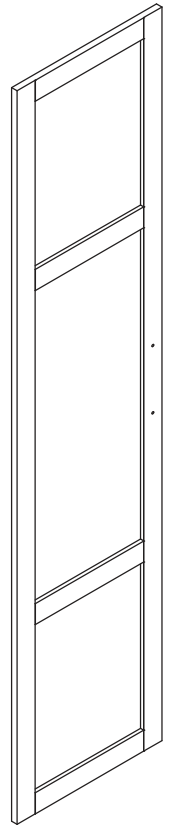
6pcs

12

302*87

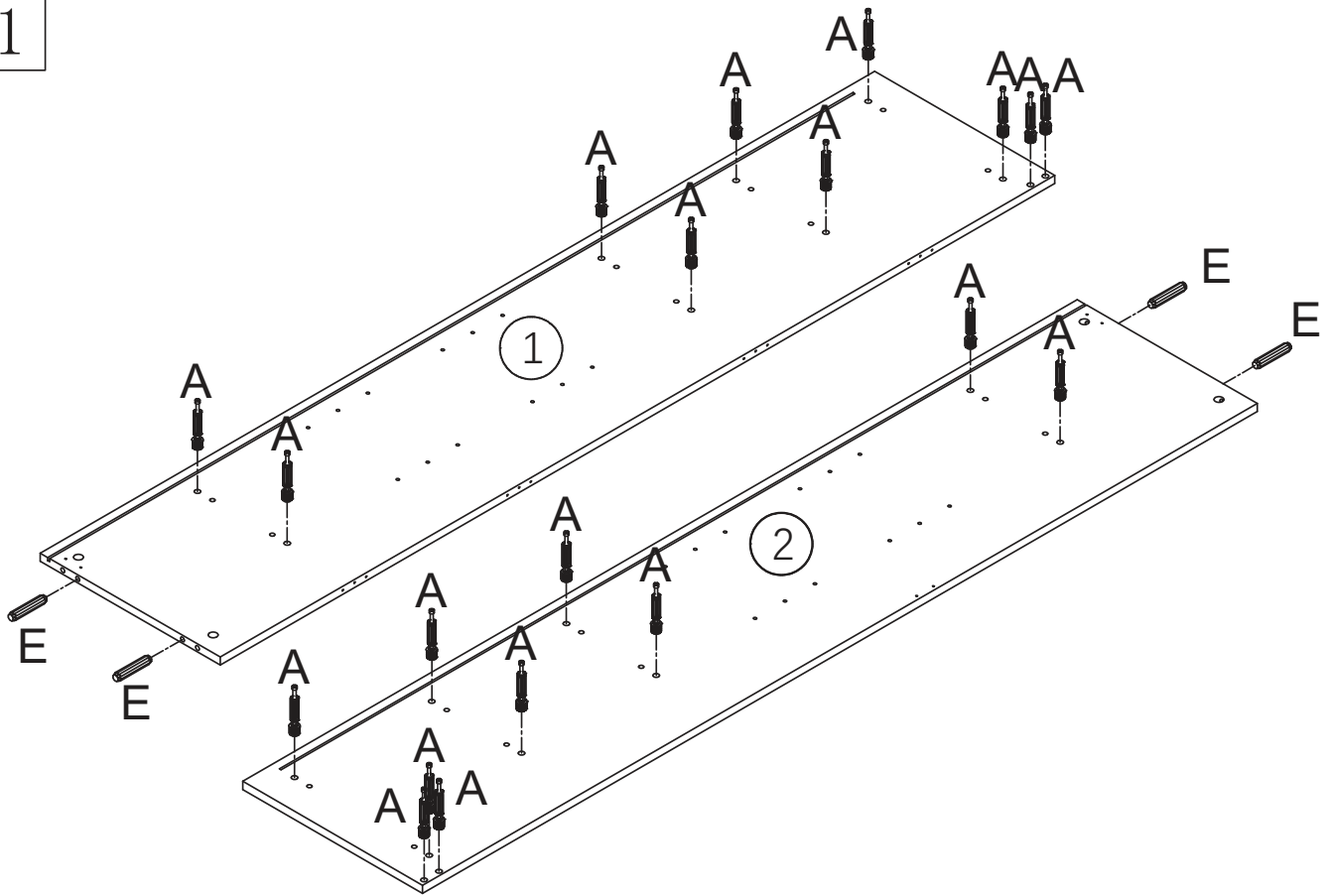


6pcs



1pc

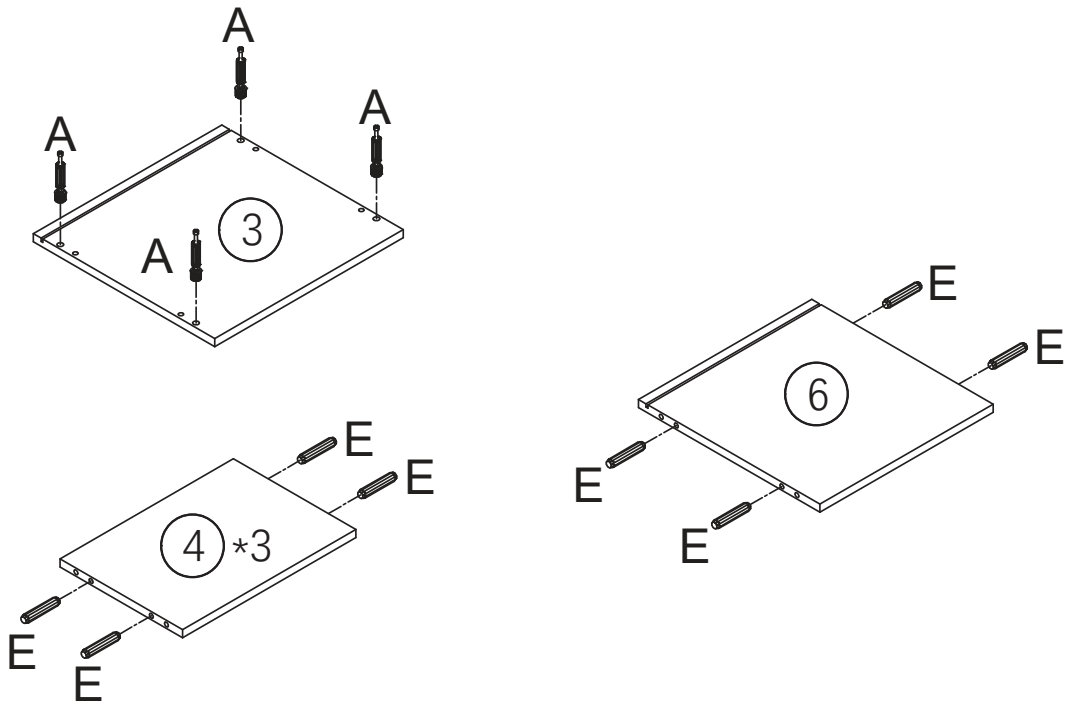
1



Put A on board (1) (2)

A*20 E*4

2

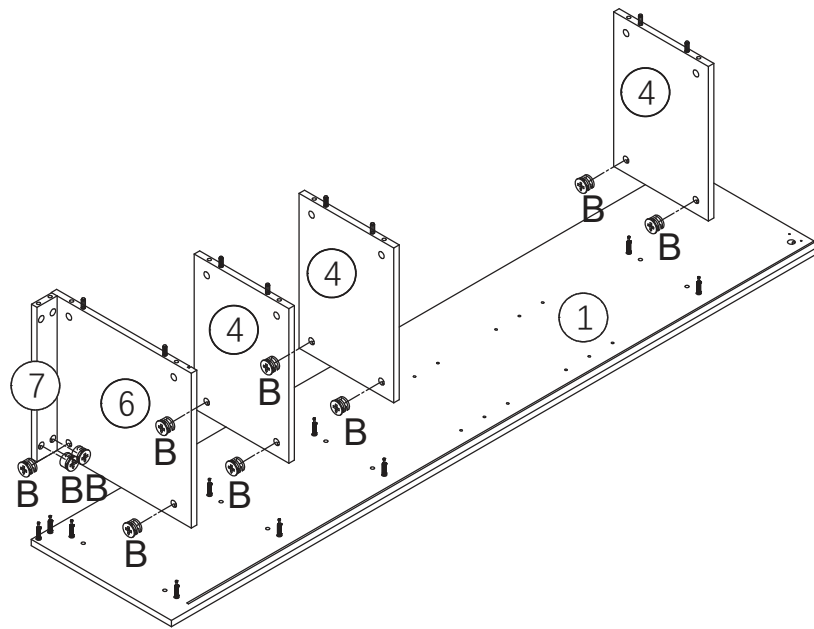


Put A on board (3)

Put E on board (4) (6)

A*4 E*16

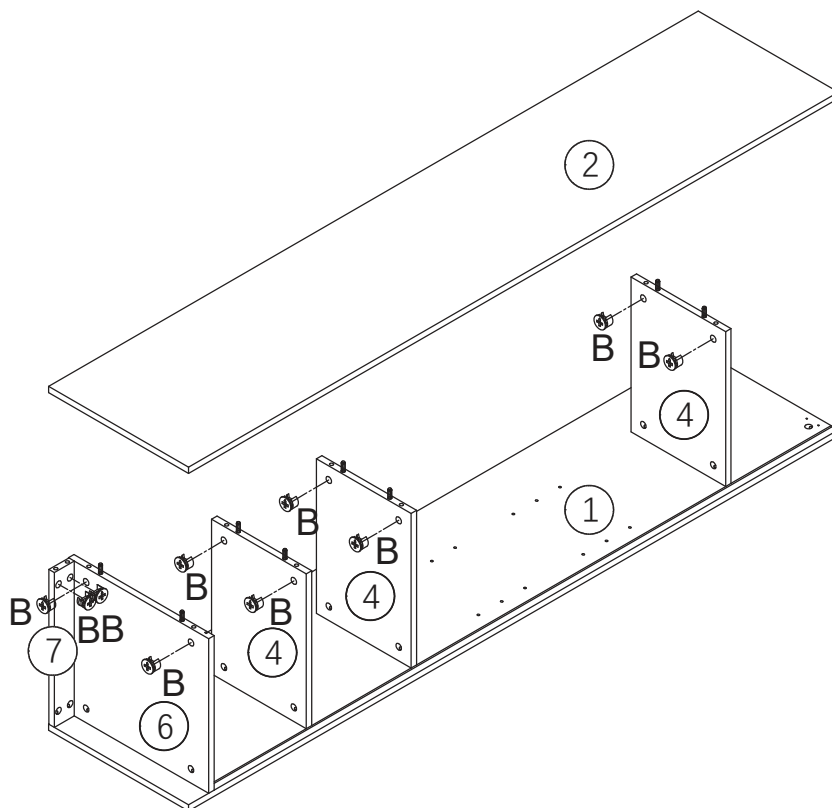
3



Put B on board (4) (6) (7)

B*10

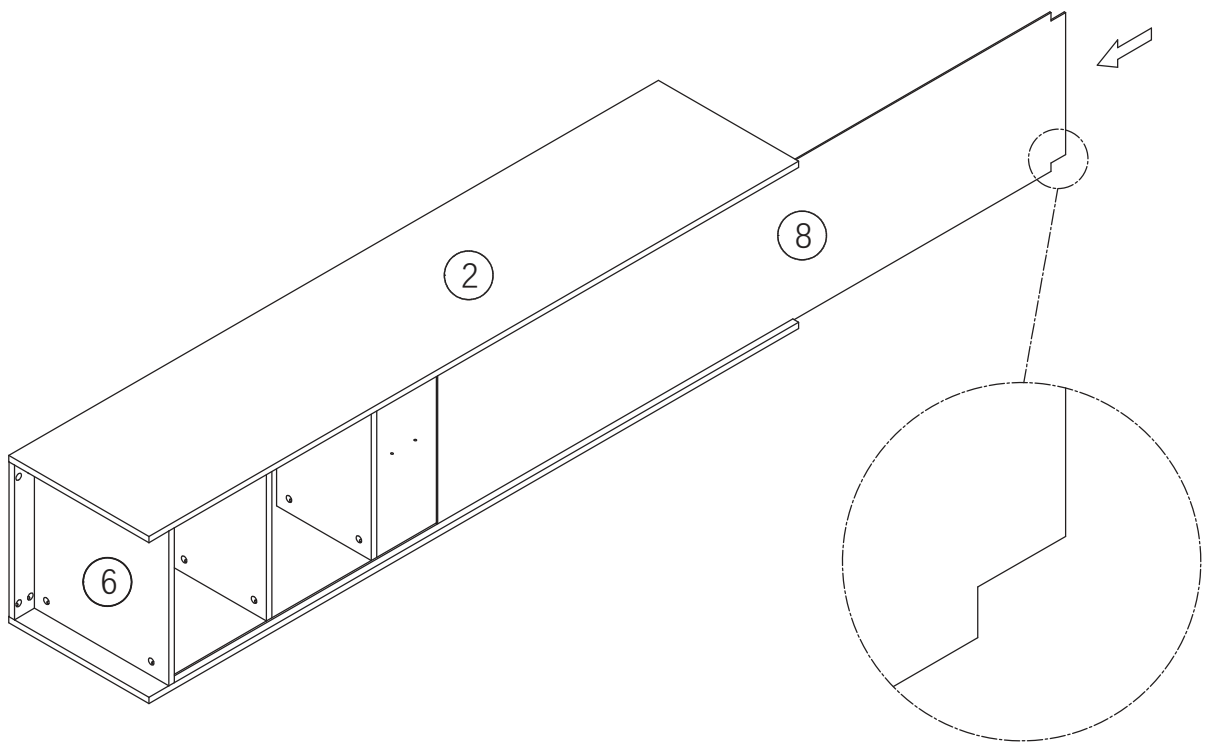
4



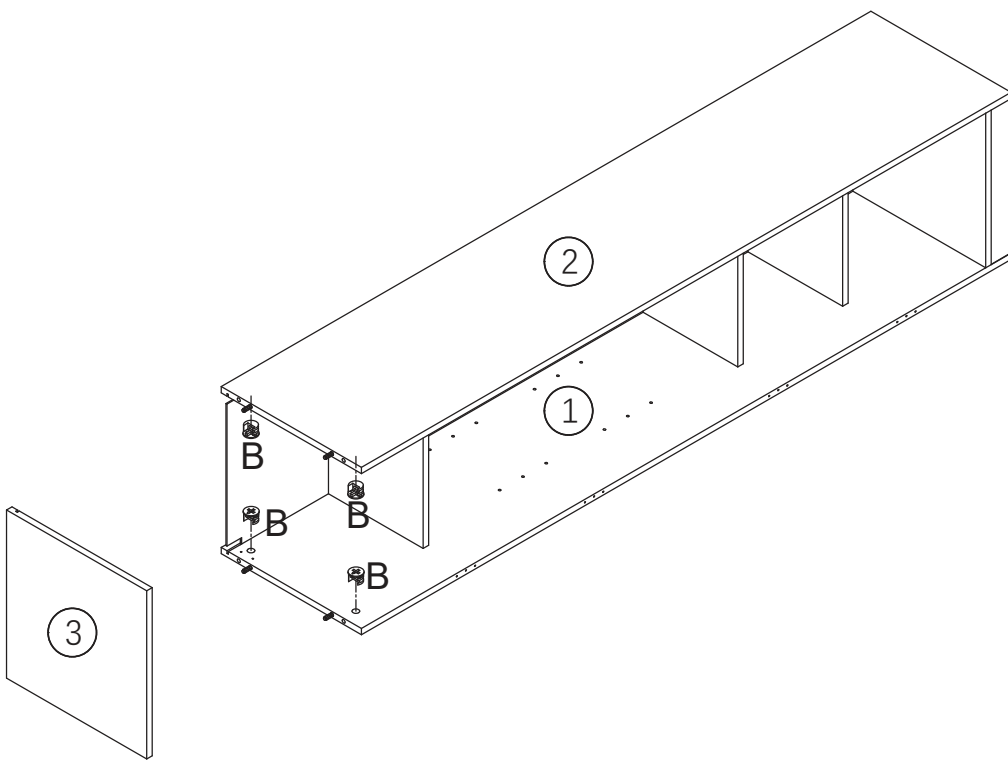
Put B on board (4) (6) (7)

B*10

5



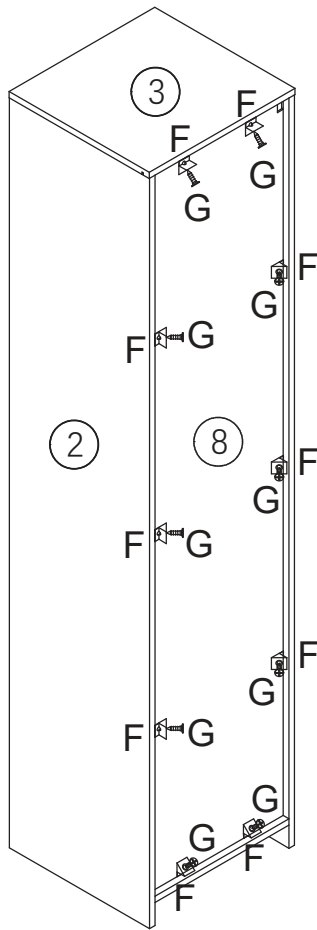
6



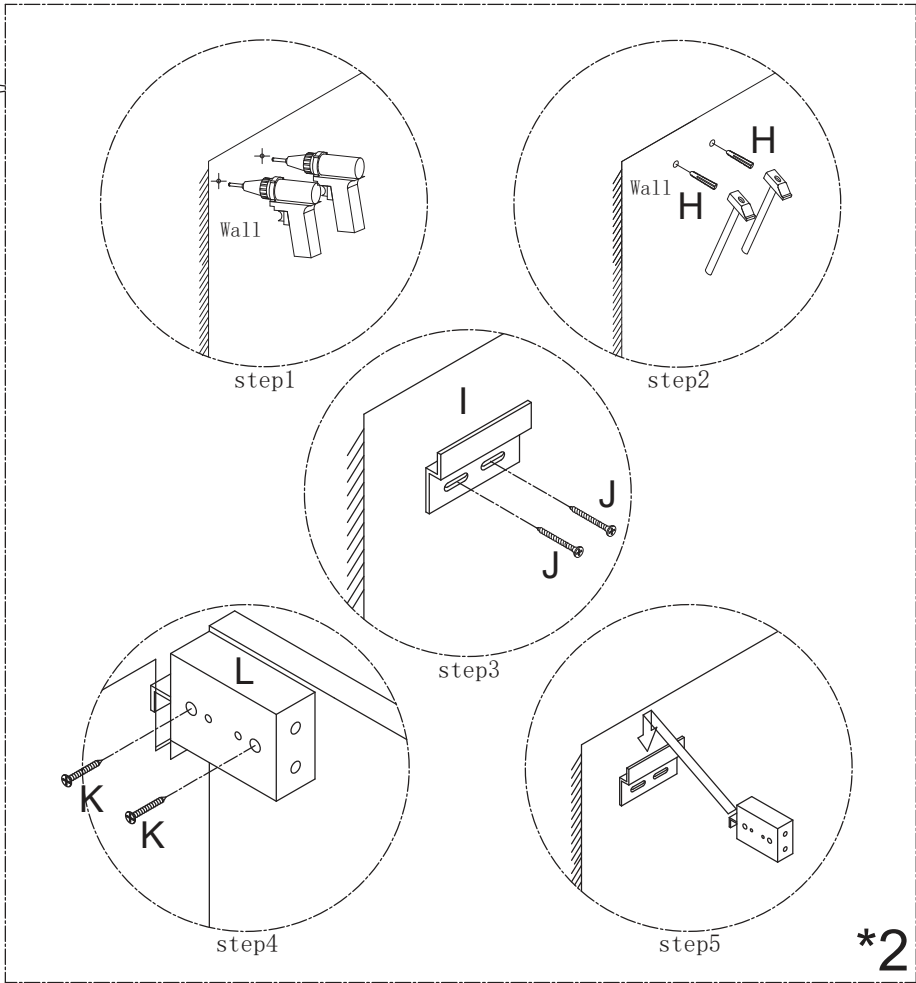
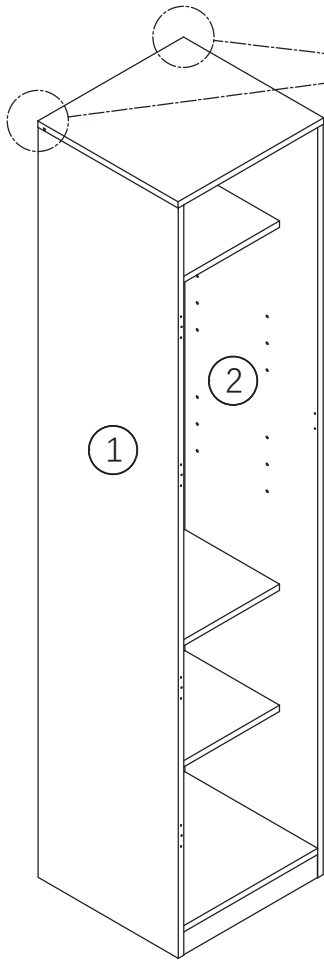
Put B on board ① ②

B*4

7



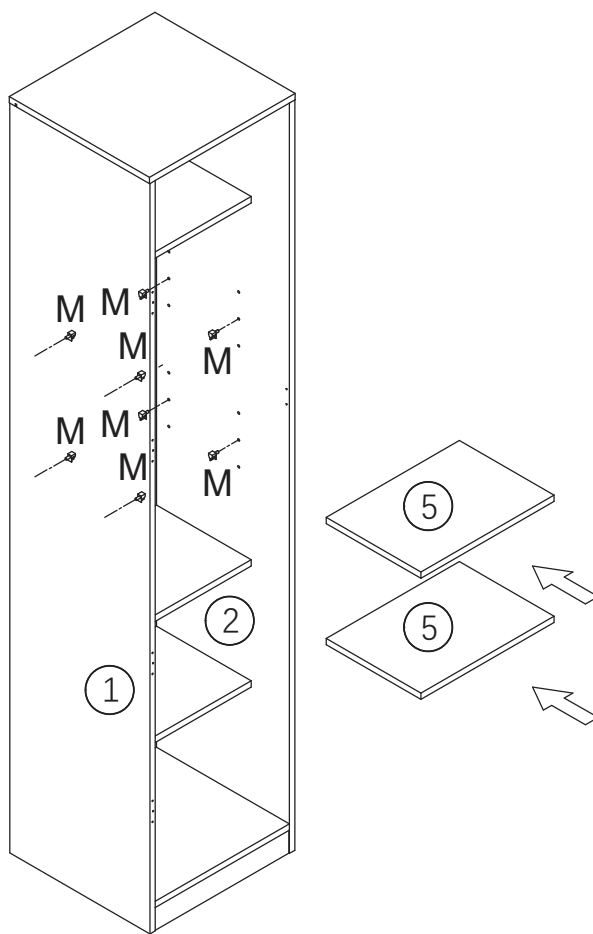
F*10 G*10



*2

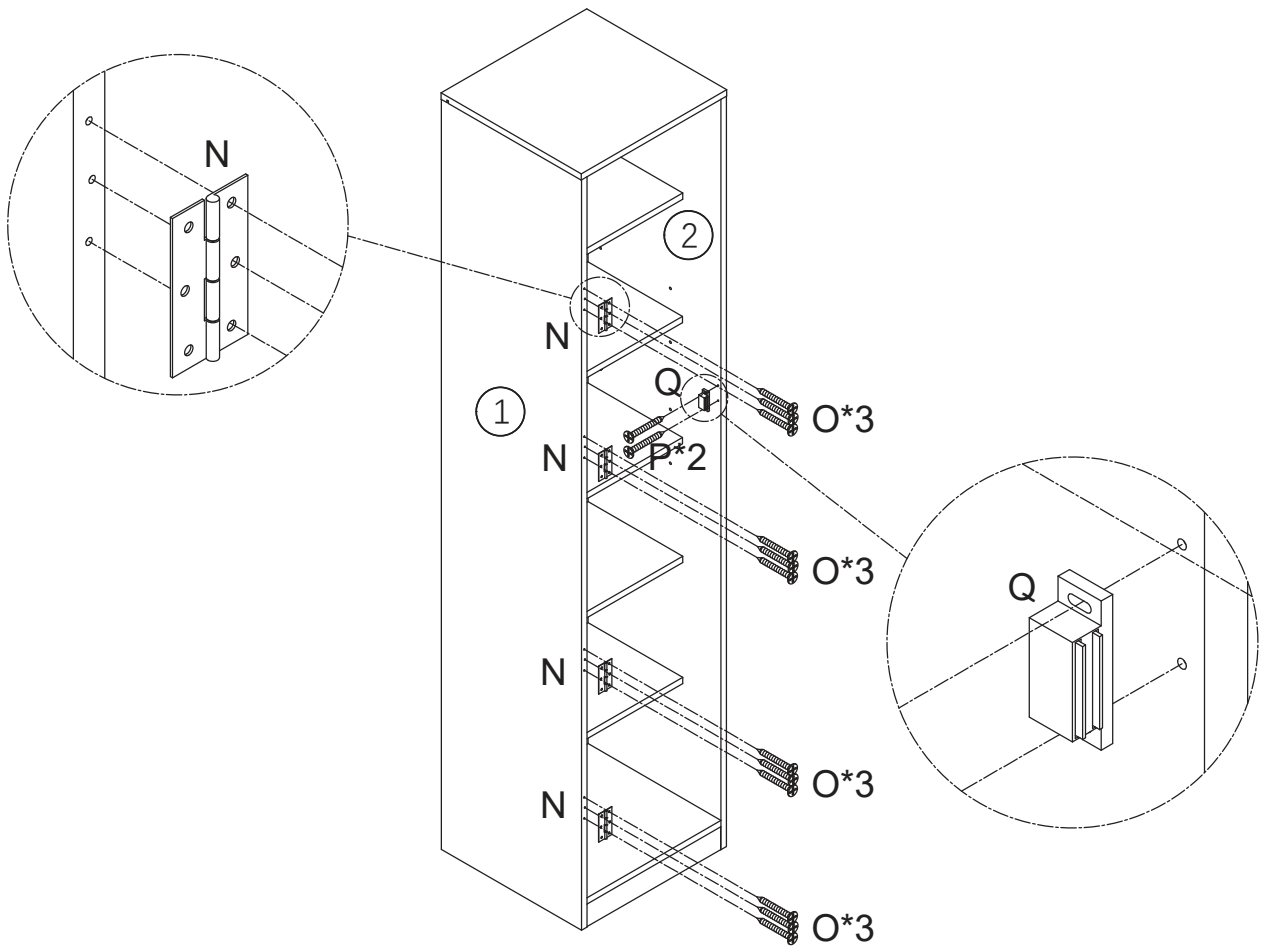
H*4 I*2 J*4 K*4 L*2

9



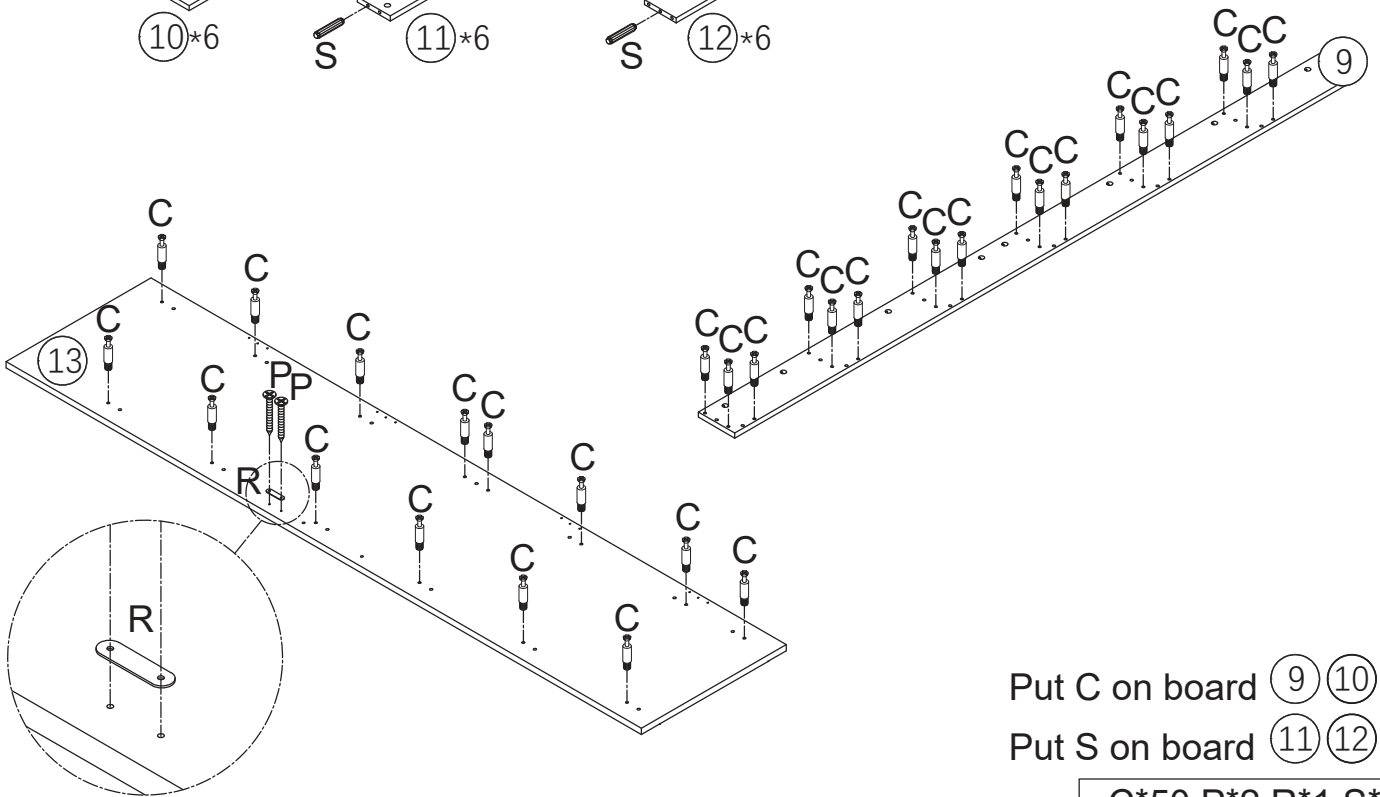
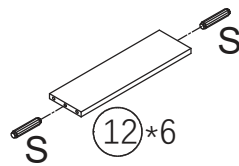
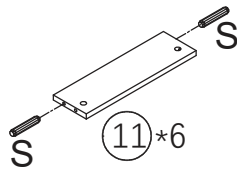
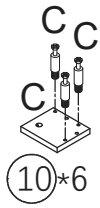
M*8

10



N*4 O*12 P*2 Q*1

11

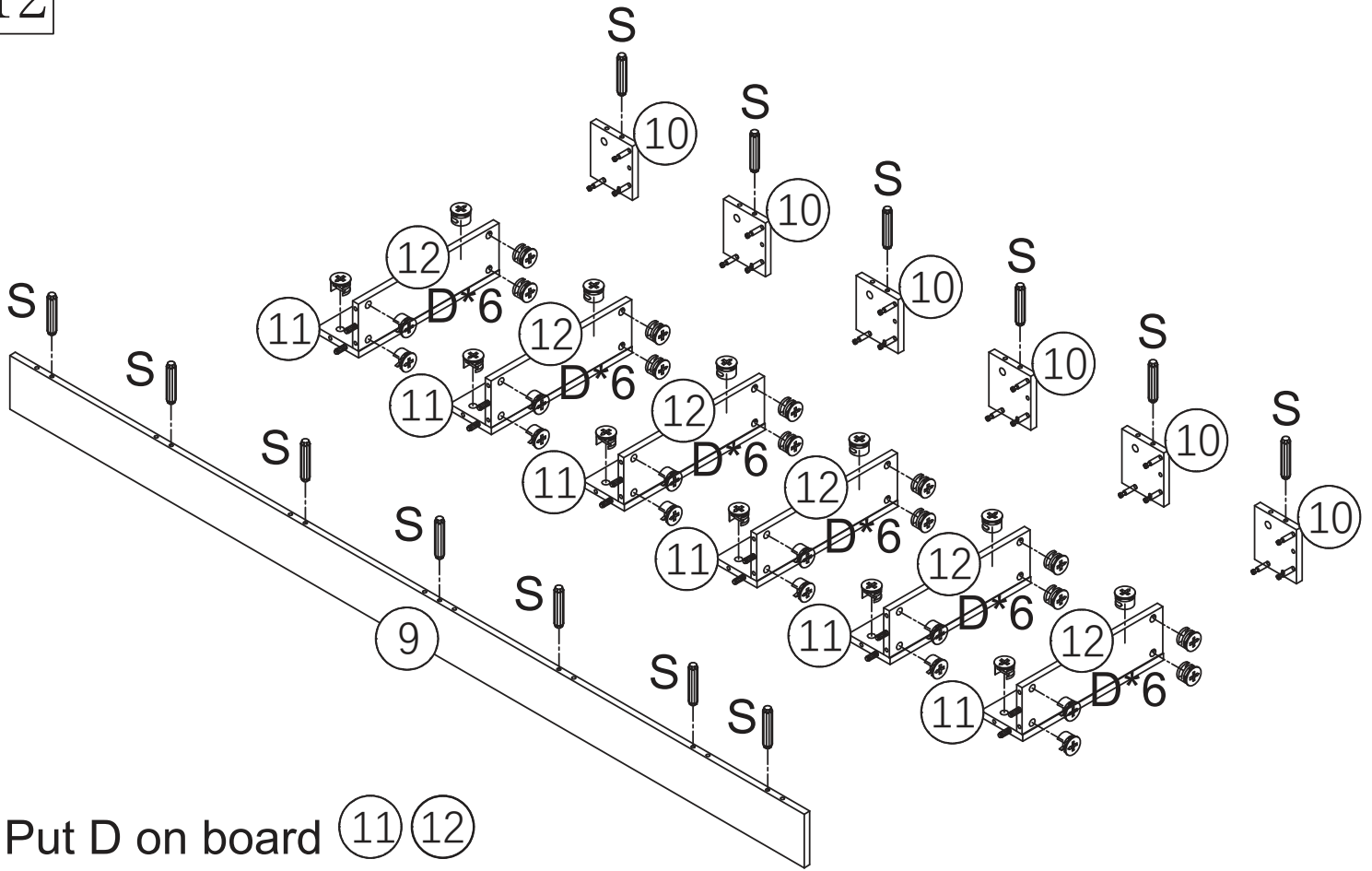


Put C on board 9 10 13

Put S on board 11 12

C*50 P*2 R*1 S*24

12

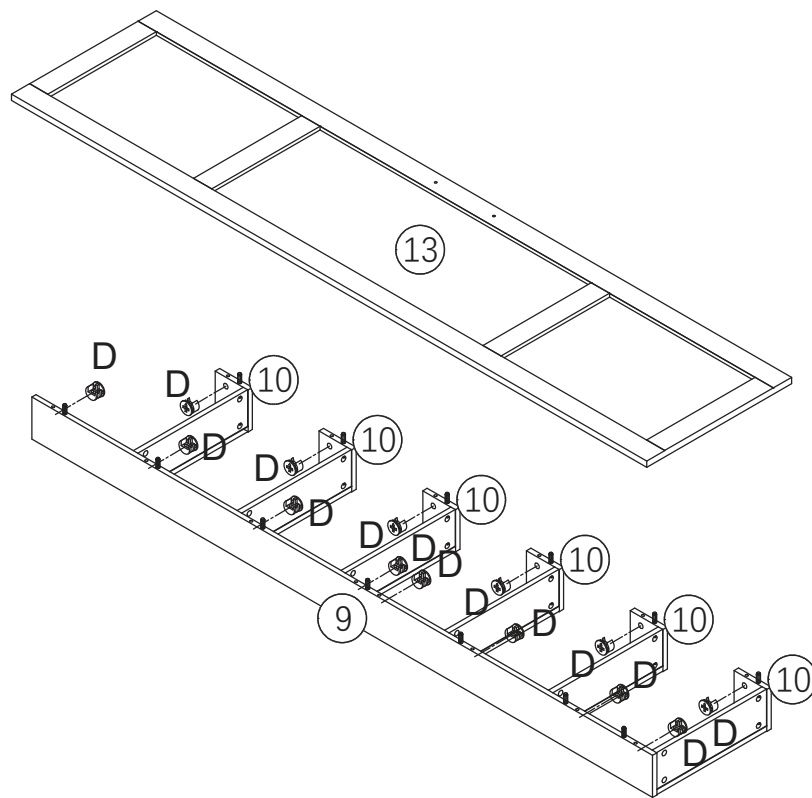


Put D on board (11) (12)

Put S on board (9) (10)

D*36 S*13

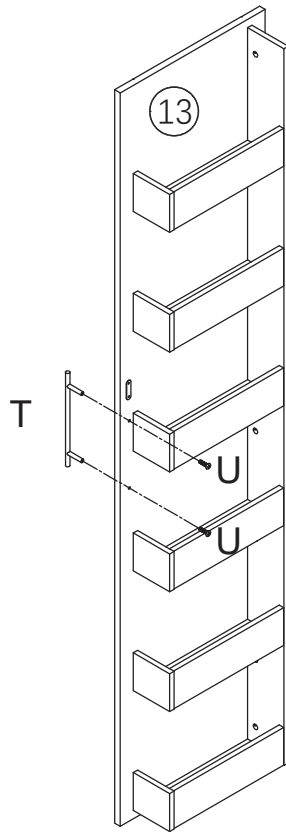
13



Put D on board 9 10

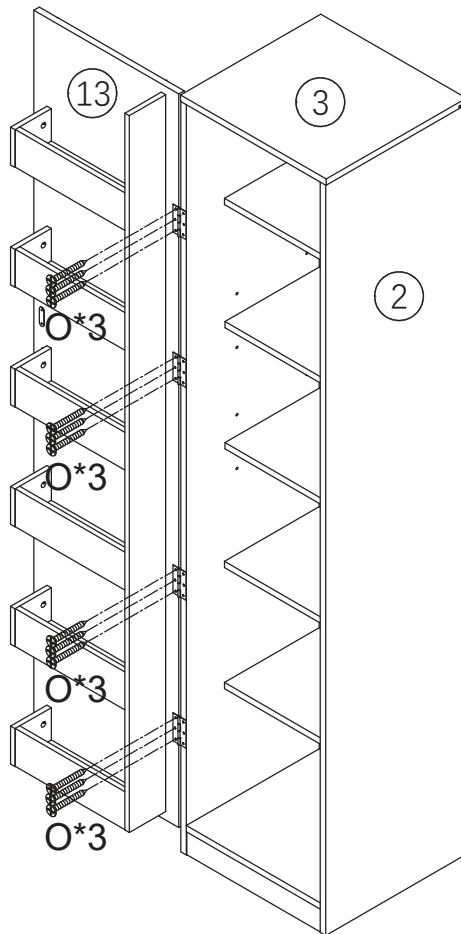
D*14

14



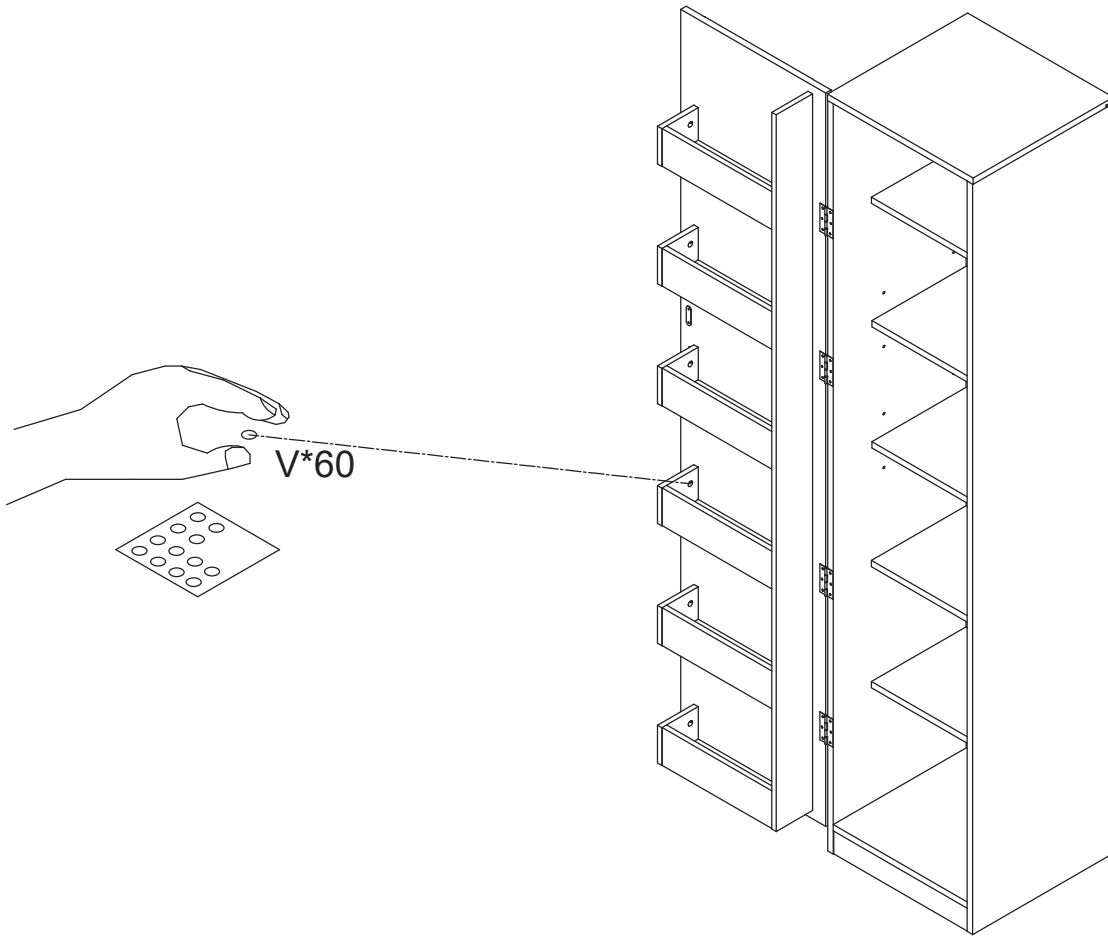
T*1 U*2

15



O*12

16



V*60

