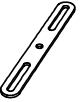
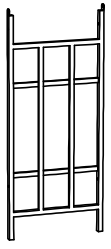
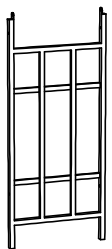
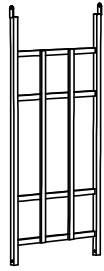
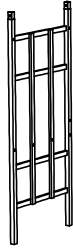
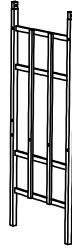
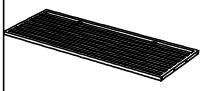
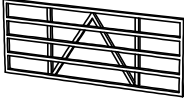
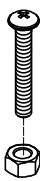

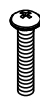
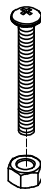
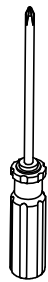
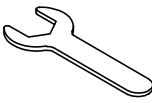
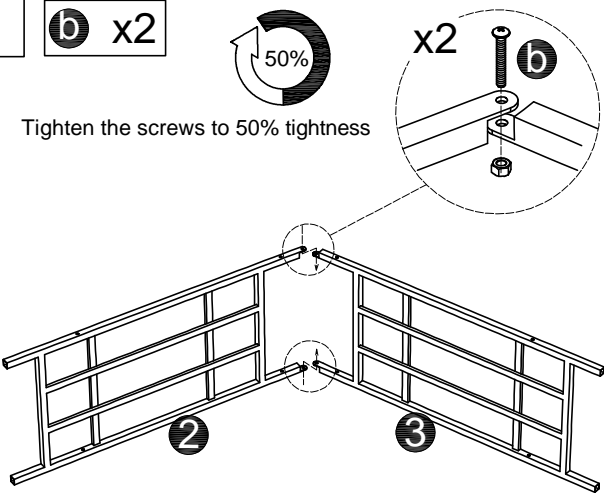


ASSEMBLY INSTRUCTIONS

<p>1</p>  <p>4pcs</p>	<p>2</p>  <p>1pc</p>	<p>3</p>  <p>1pc</p>	<p>4</p>  <p>2pcs</p>	<p>I</p>  <p>1pc</p>	<p>J</p>  <p>1pc</p>	<p>K</p>  <p>1pc</p>
<p>L</p>  <p>1pc</p>	<p>a</p>  <p>M6*35mm</p> <p>4pcs</p>	<p>b</p>  <p>M6*30mm</p> <p>10pcs</p>	<p>c</p>  <p>M6*30mm</p> <p>8pcs</p>	<p>d</p>  <p>M6*40mm</p> <p>4pcs</p>	 <p>1pc</p>	 <p>1pc</p>

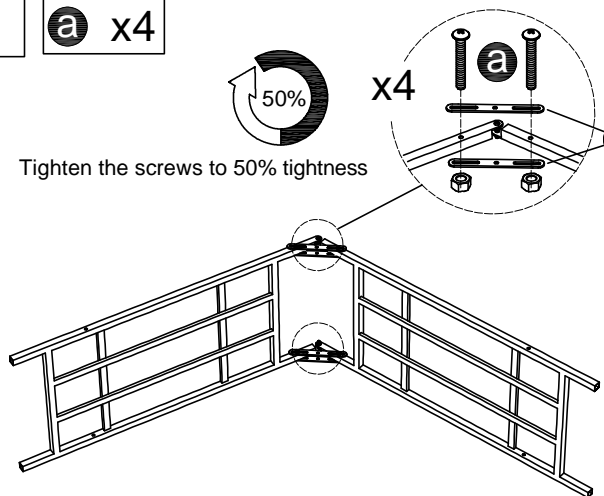
1 **b** x2

Tighten the screws to 50% tightness

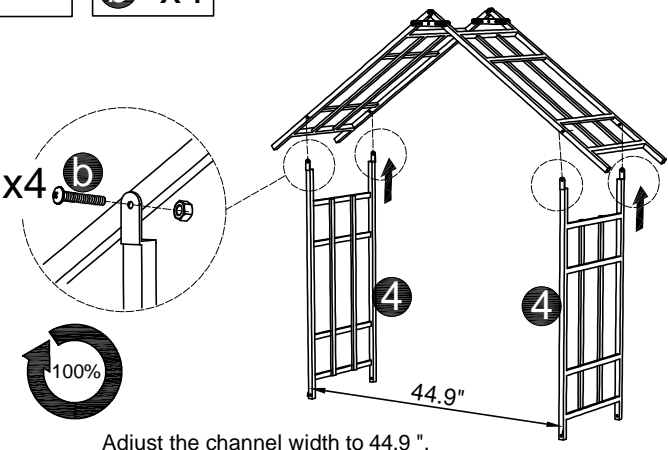


2 **a** x4

Tighten the screws to 50% tightness

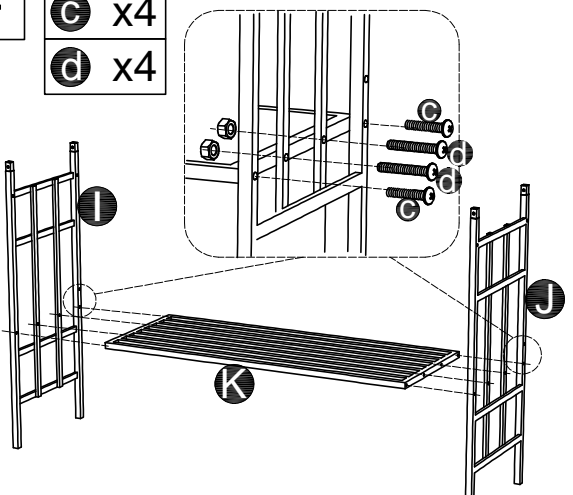


3 **b** x4



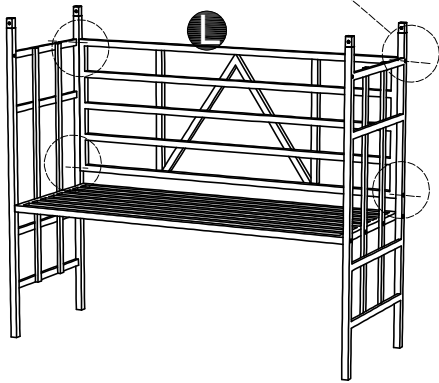
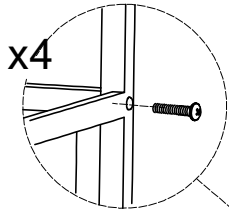
Adjust the channel width to 44.9", then tighten all screws to 100% tightness

4 **c** x4
d x4

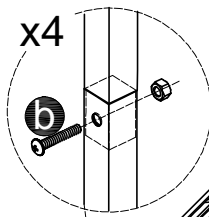


Option-1

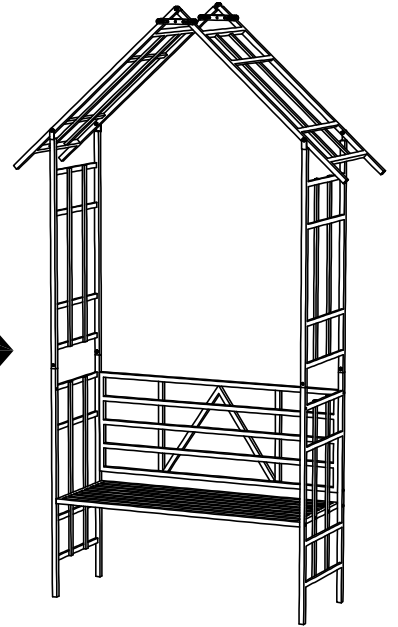
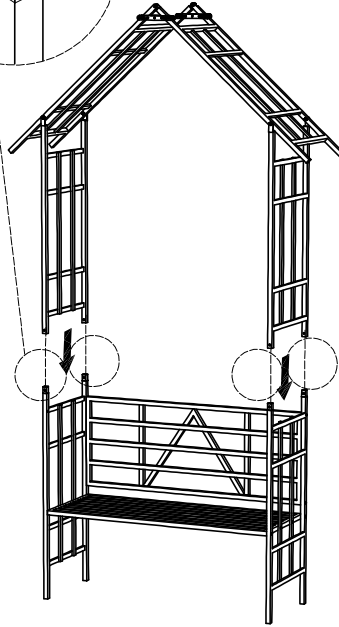
C x4



x4

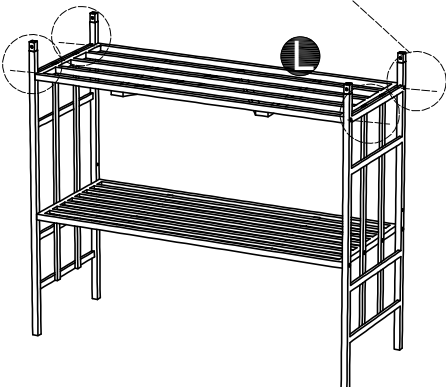
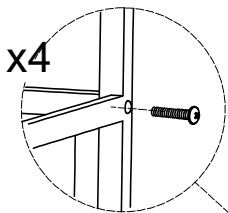


b x4

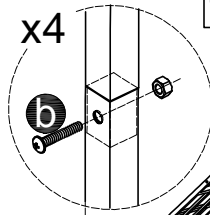


Option-2

C x4



x4



b x4

