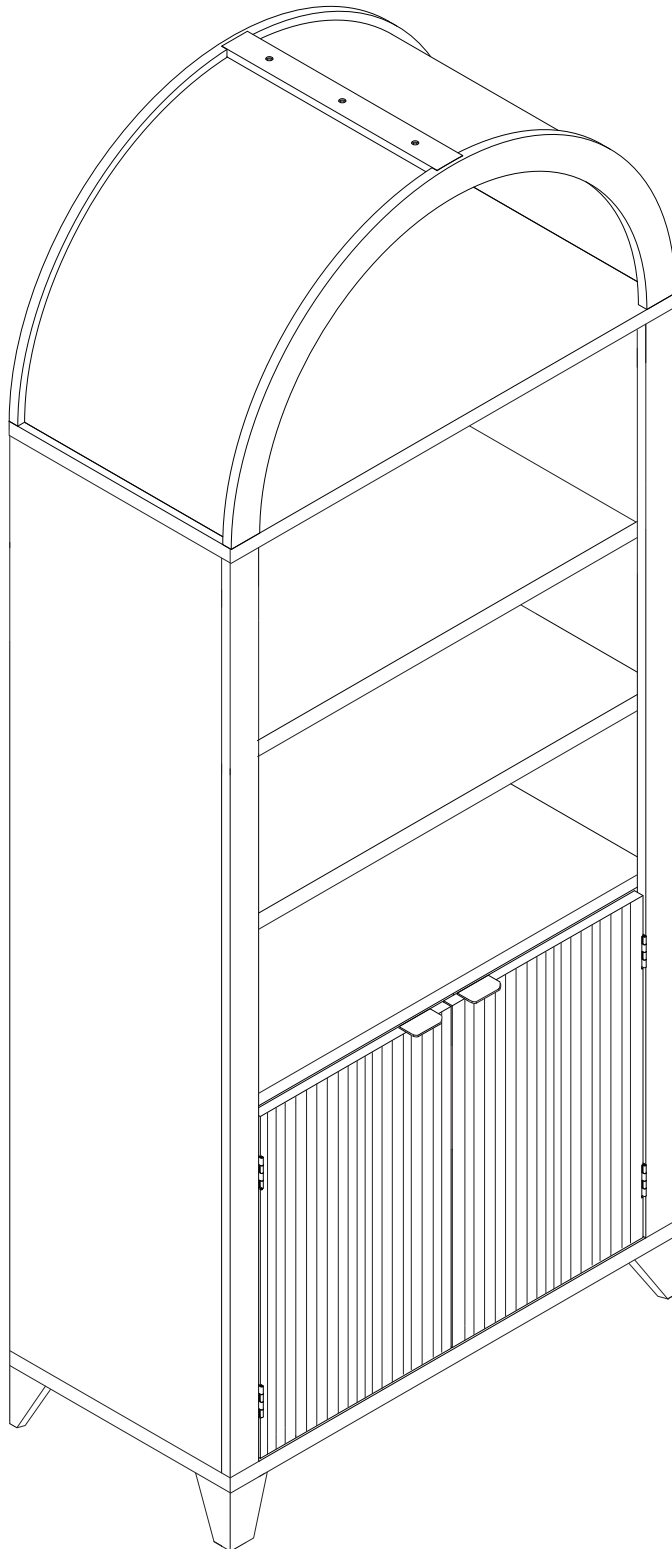


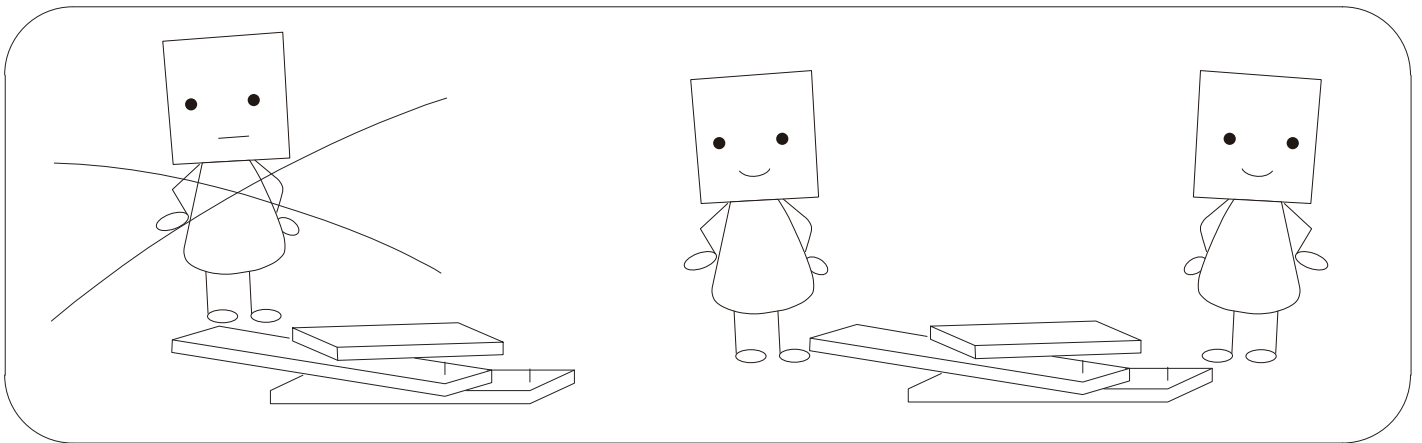
# ASSEMBLY INSTRUCTION



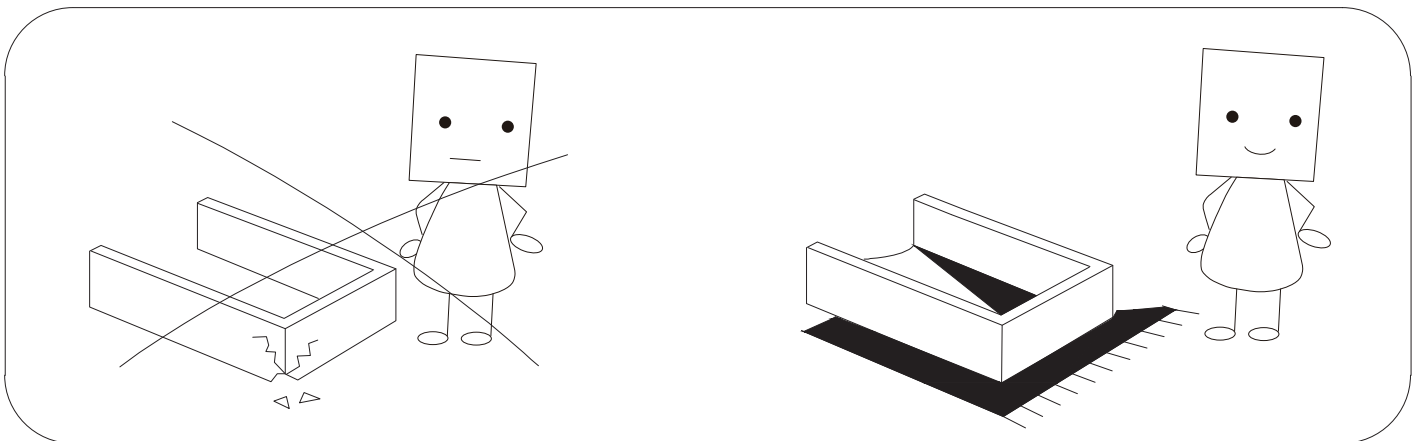


# WARNING

Need Two Or More People To Complete

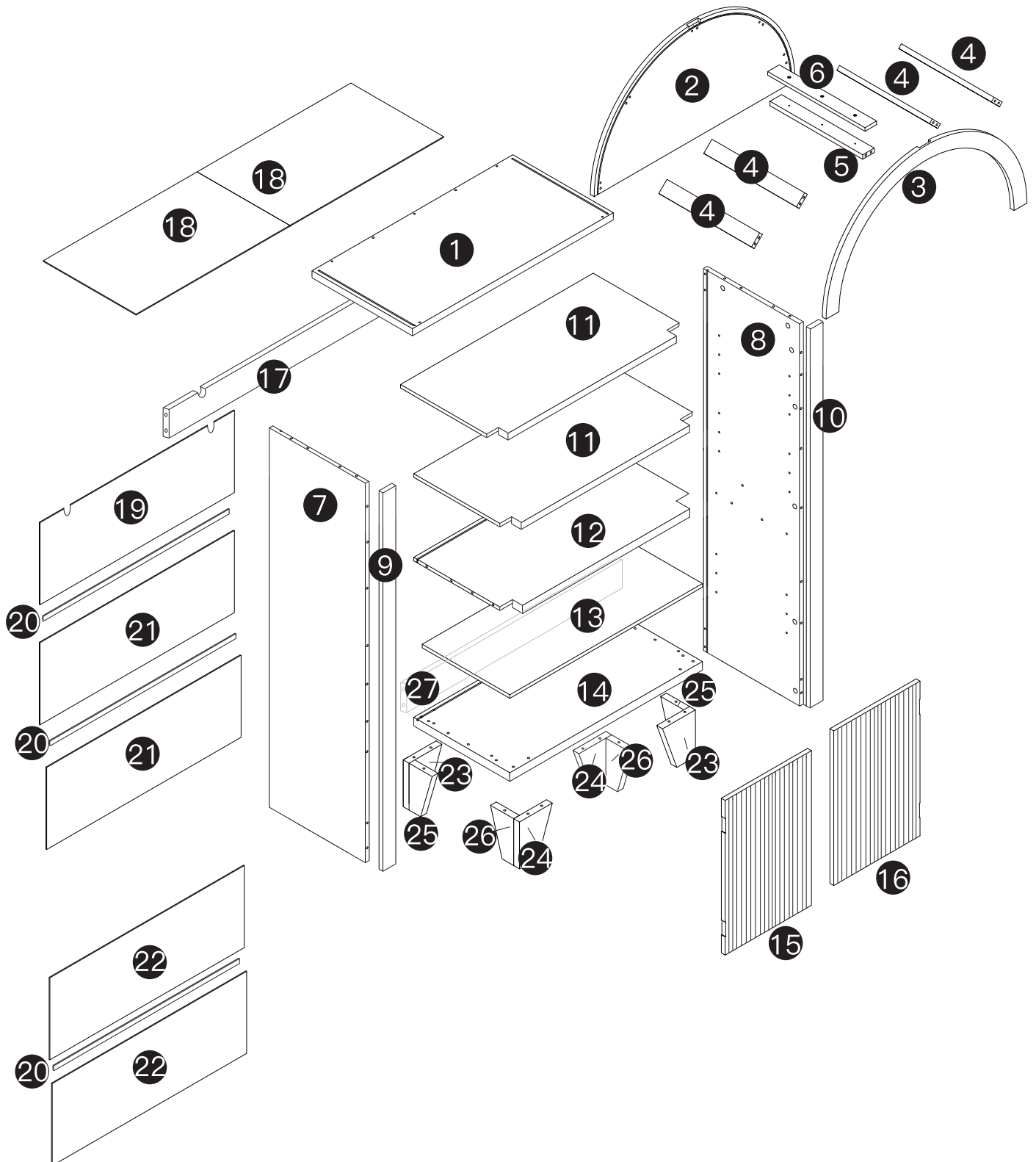


Assemble Item On a Clean Flat Surface



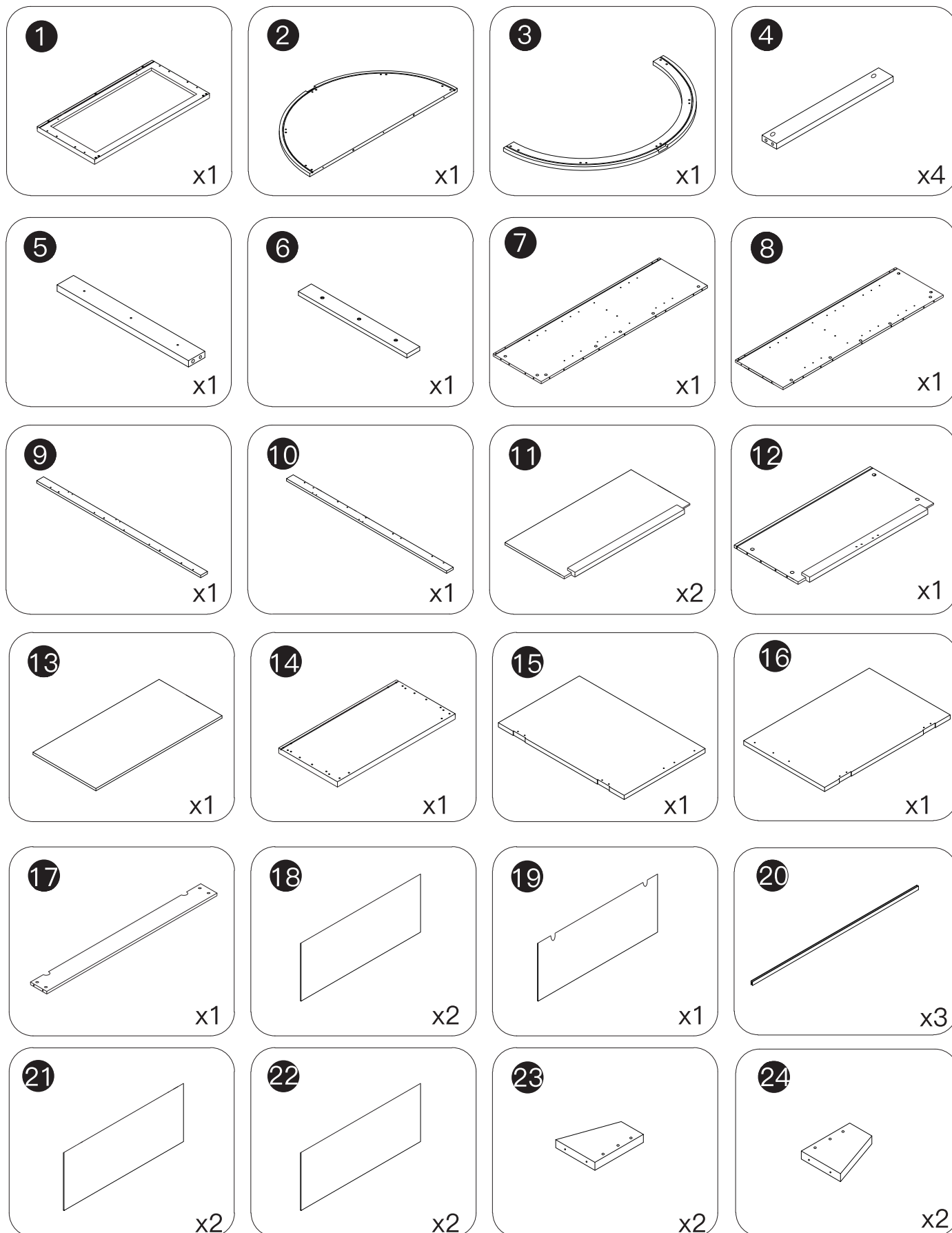
- Please check you have all hardware before assembling.
- Please ensure you have the name of the item and hardware part required and quantity.
- If you have any questions, please contact us by original purchase platform. we will reply you ASAP.
- For the safety of you and your family, it is necessary to install Anti-Tip Device Kit.

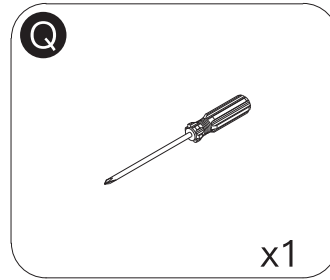
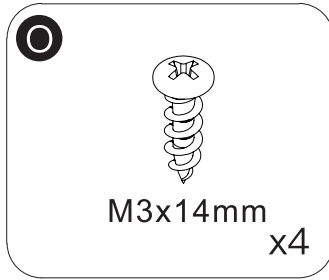
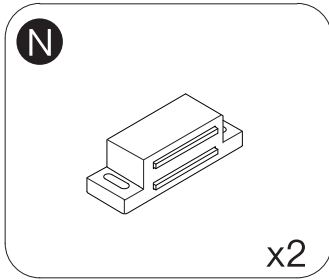
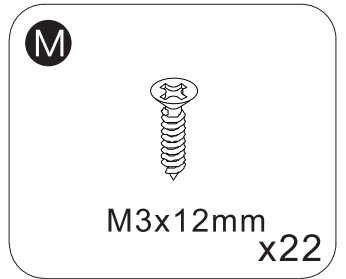
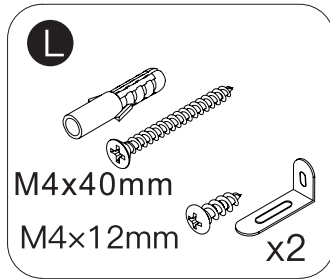
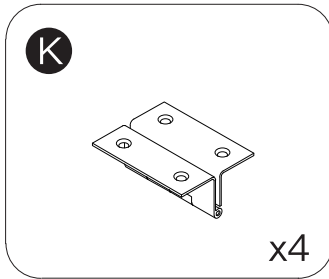
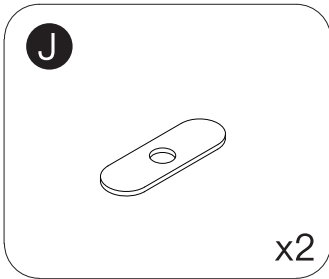
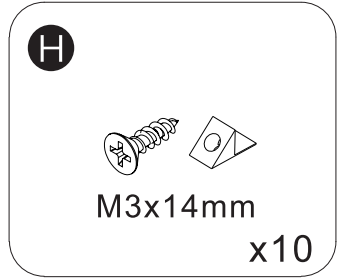
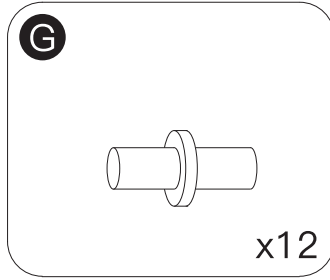
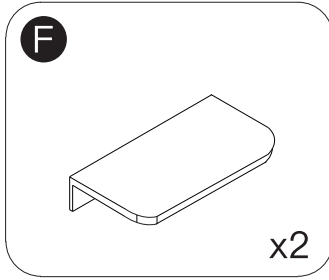
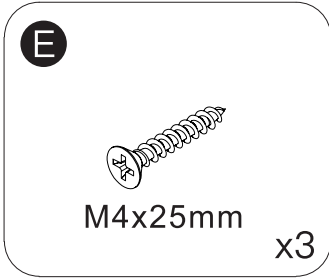
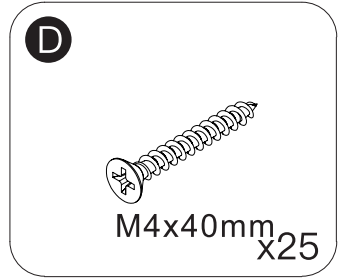
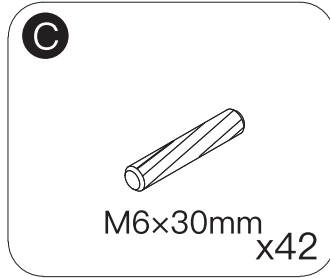
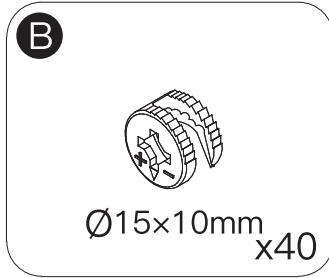
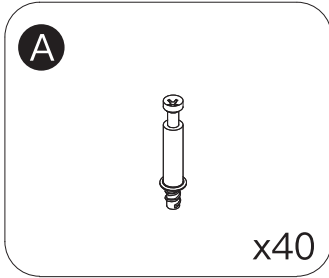
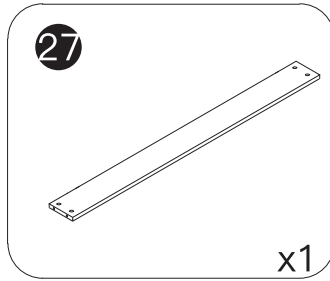
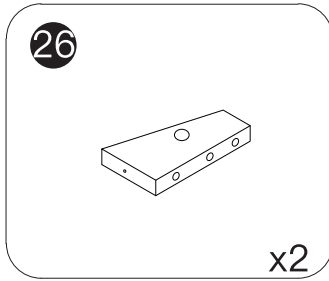
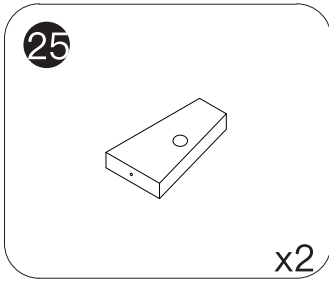
# EXPLODED DRAWING:



Please check all parts and accessories according to the parts list before assembling, make sure all contents are sufficient and in good condition. If there is any parts missing or defective, please contact us with purchase platform message immediately to get replacement parts.

## PARTS:



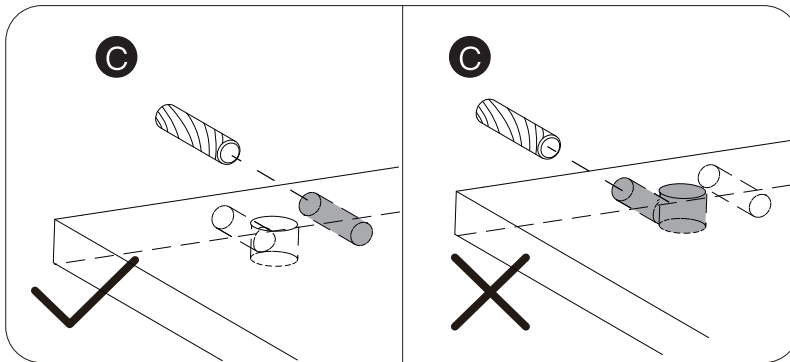


# HOW TO INSTALL

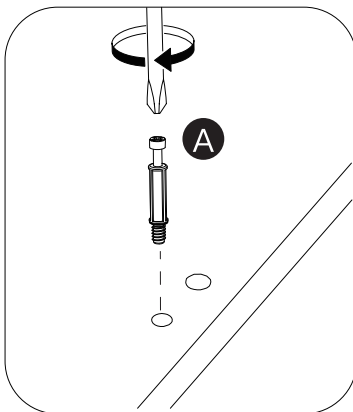
## NOTICE:

1. Use electric drill for easier installation experience.
2. Please drive the screws in pre-drilled holes.
3. Please strictly follow the instruction and diagram in every step.
4. Make sure every part is on the right position, otherwise it may cause unnecessary problem.
5. Select the proper component via the label on every part while assembling.

## REMARK:



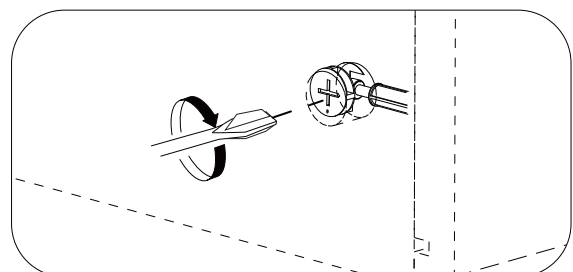
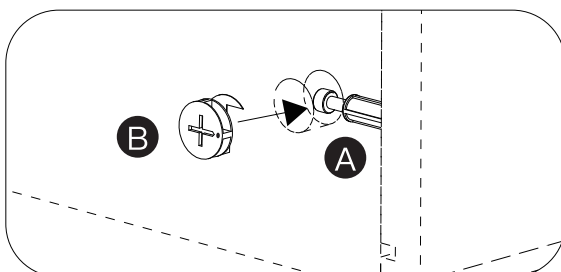
Avoid inserting part C into wrong holes.



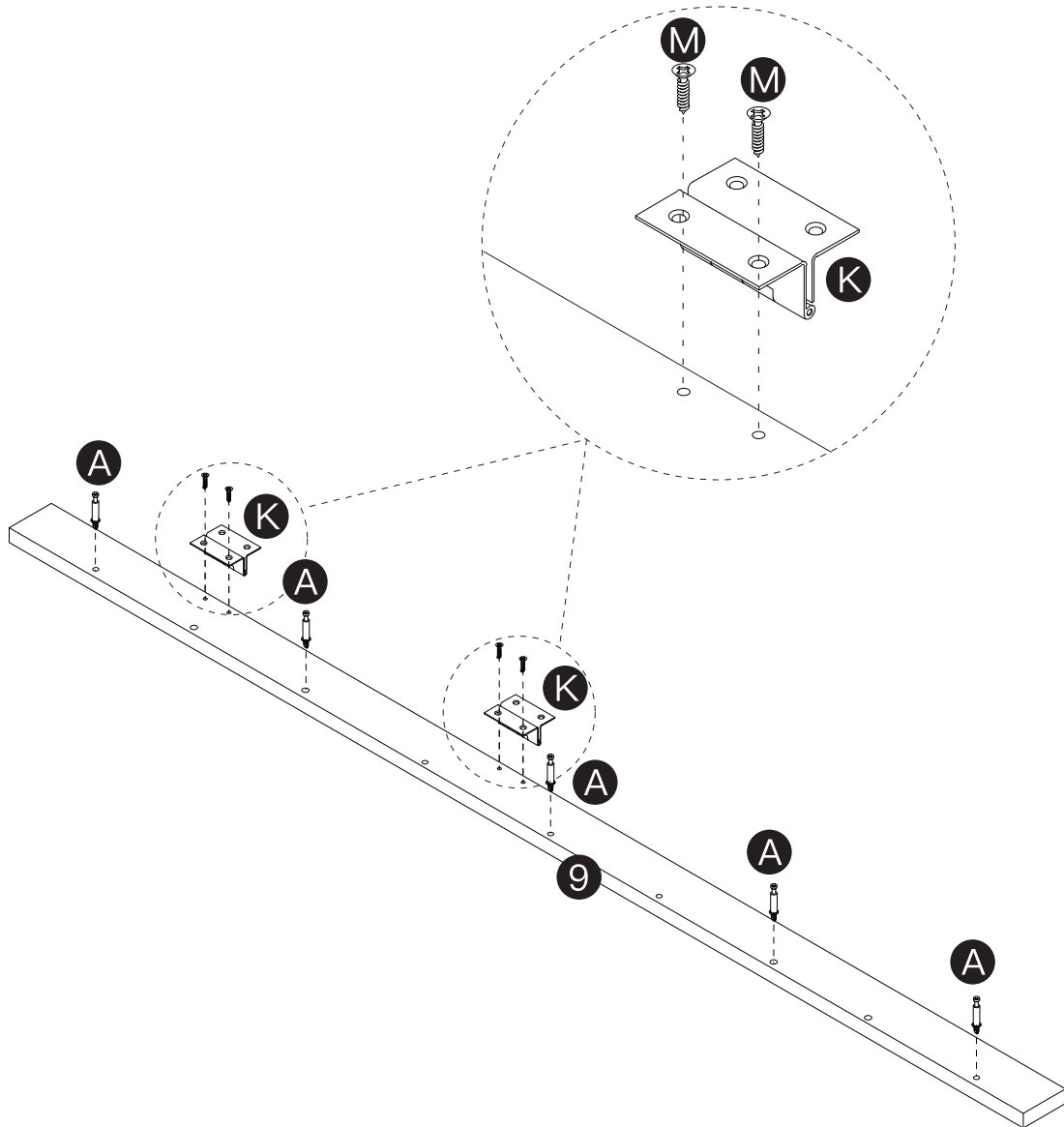
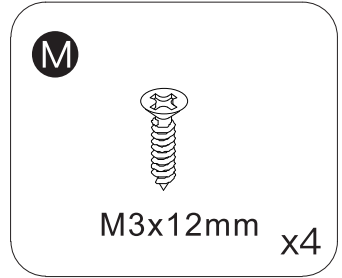
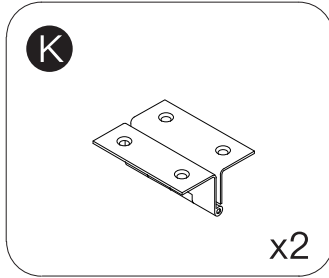
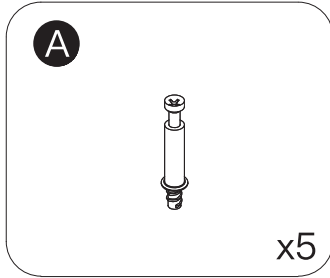
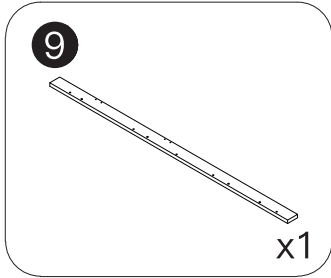
Part A must be installed into the holes with rubber nuts which are smaller than others.

Please ensure that part A is facing the direction of the gap of part B .

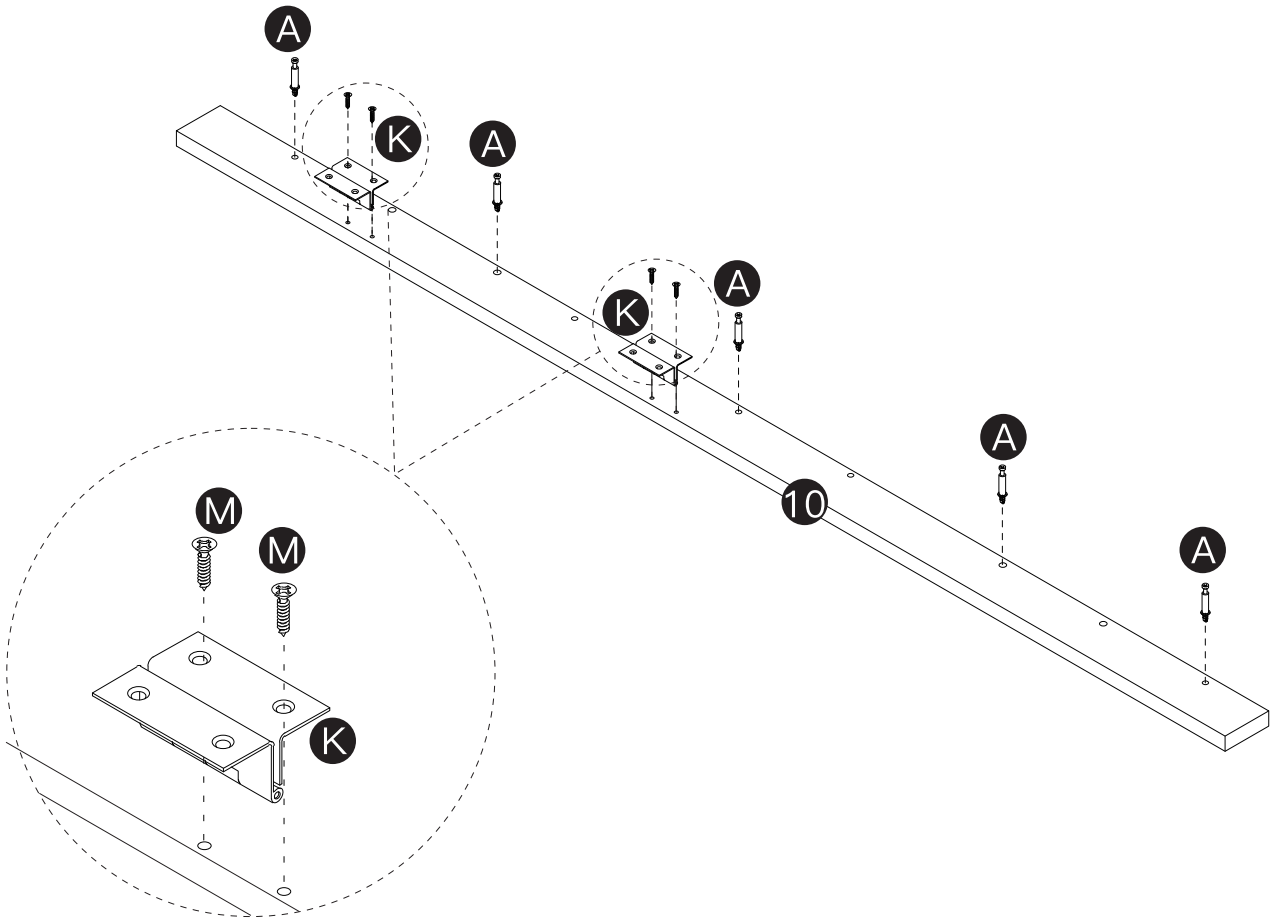
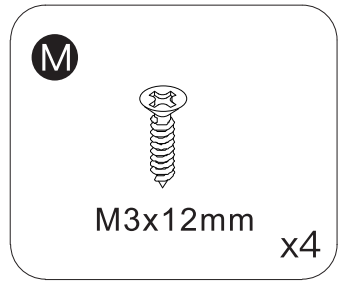
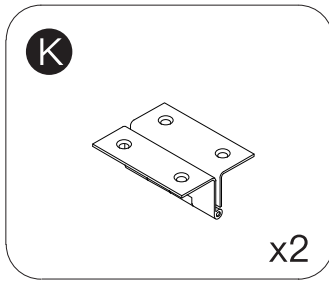
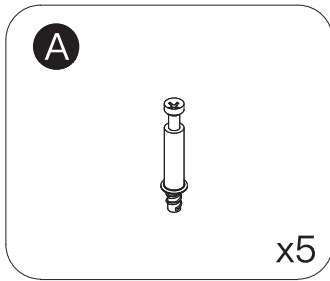
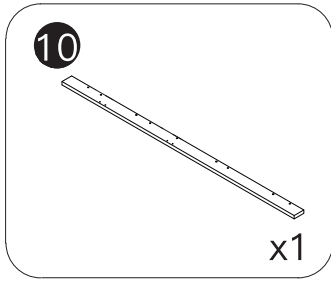
When locking part B, please make sure part A is fully inserted.



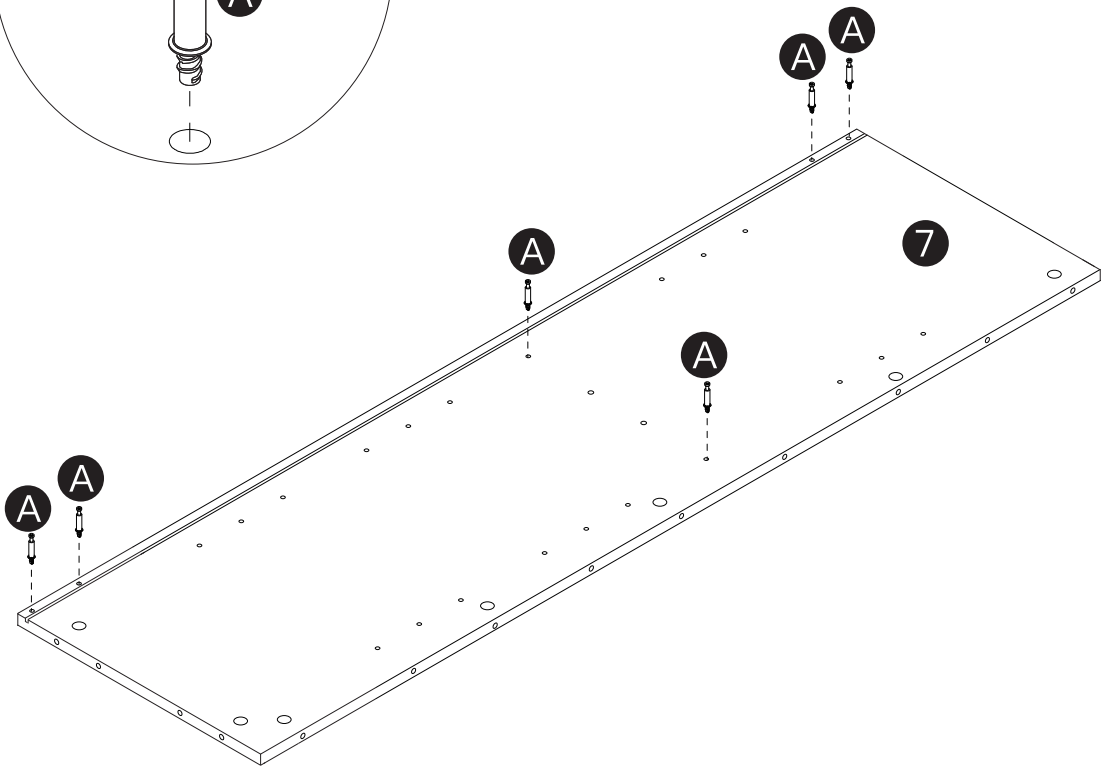
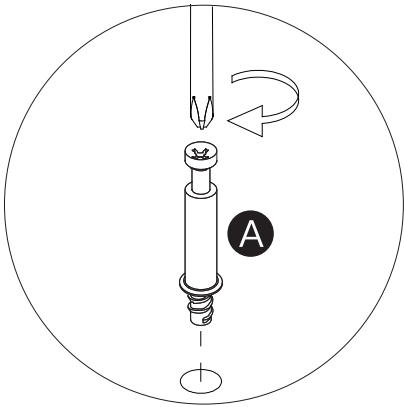
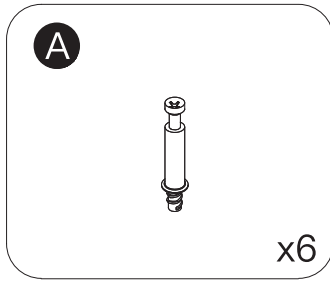
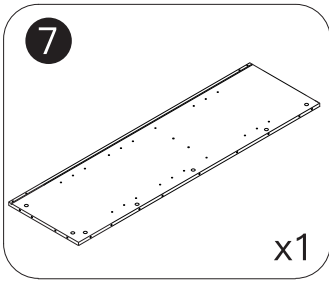
# STEP 1



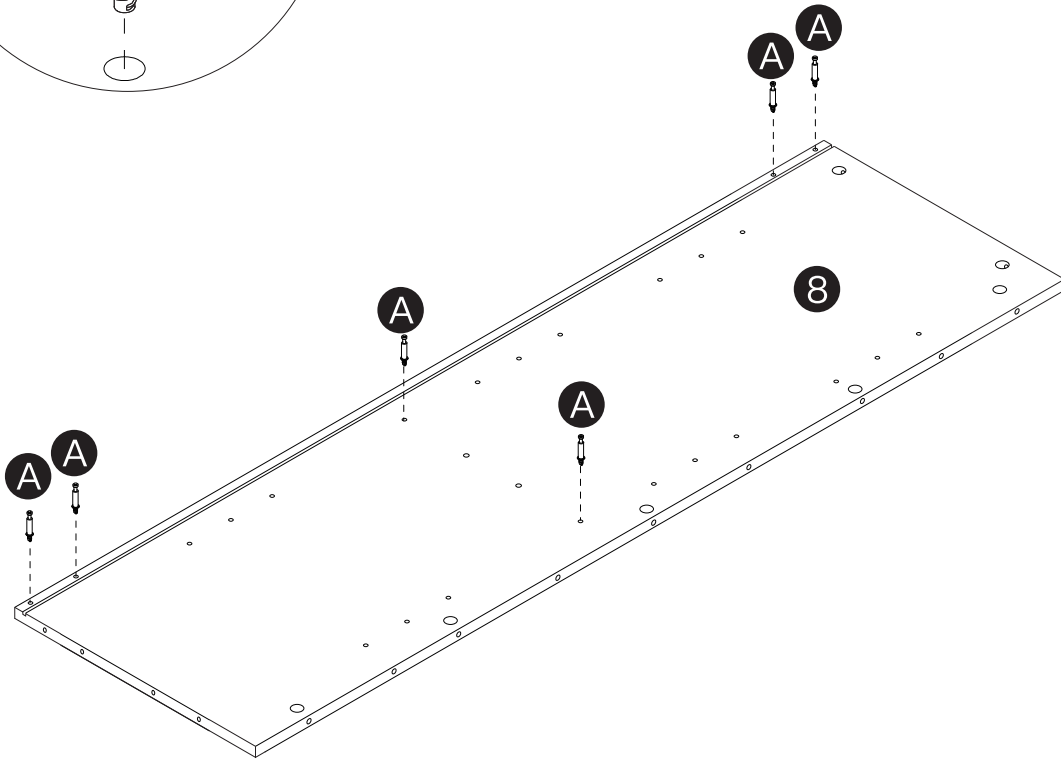
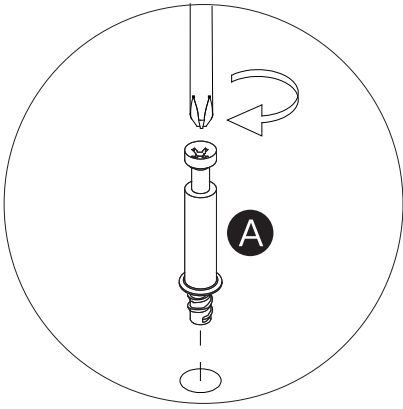
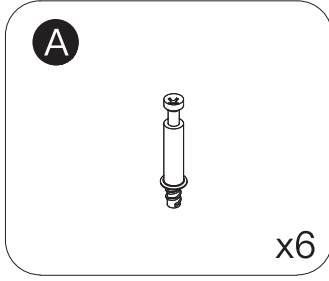
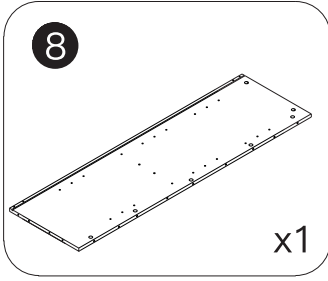
# STEP 2



# STEP 3



# STEP 4



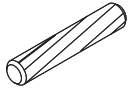
# STEP 5

**B**



Ø15x10mm x5

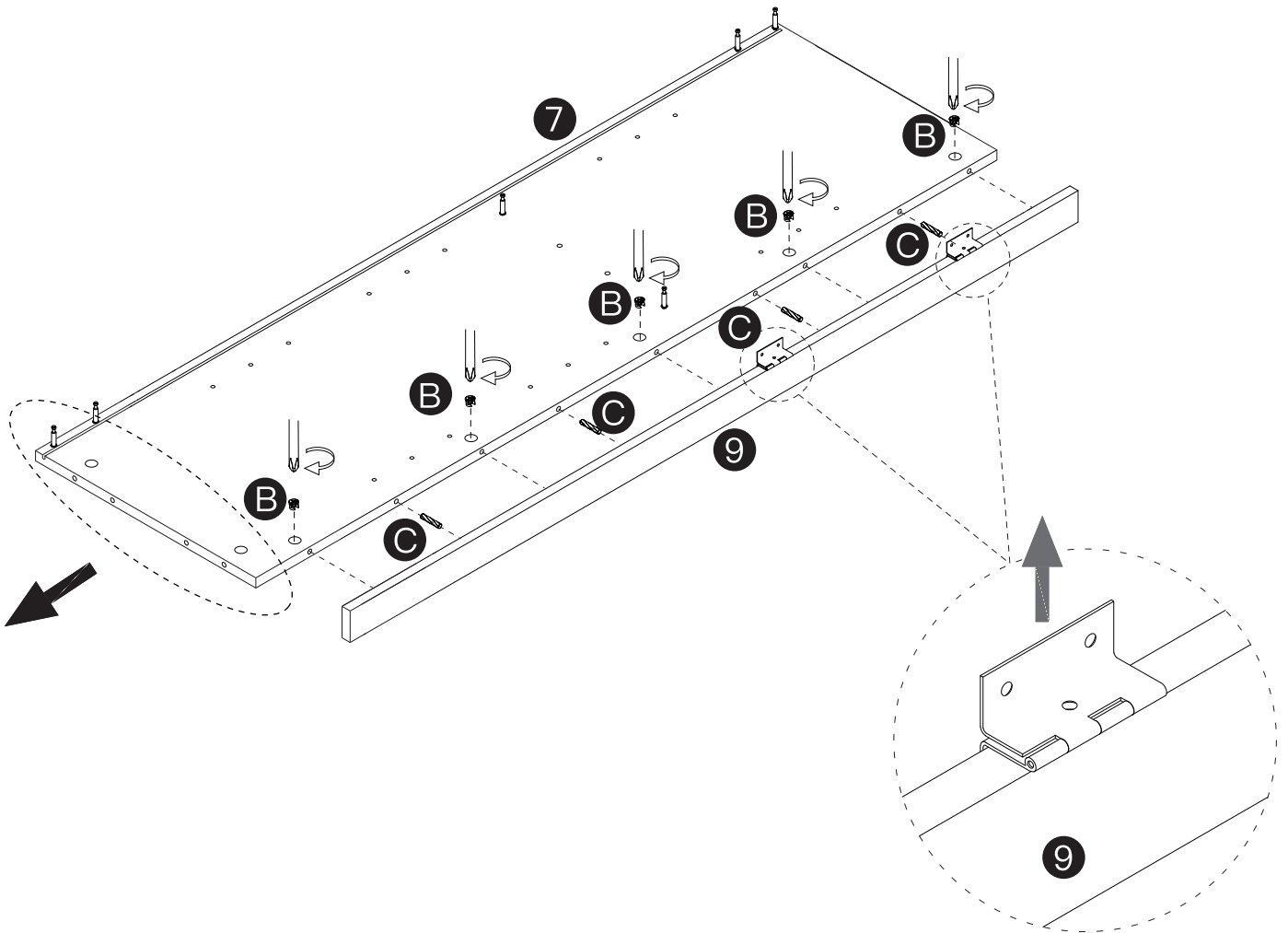
**C**



M6x30mm x4

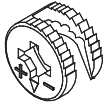
## NOTICE:

Please pay attention to the installation direction of parts **7** & **9**.



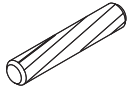
# STEP 6

**B**



Ø15x10mm  
x5

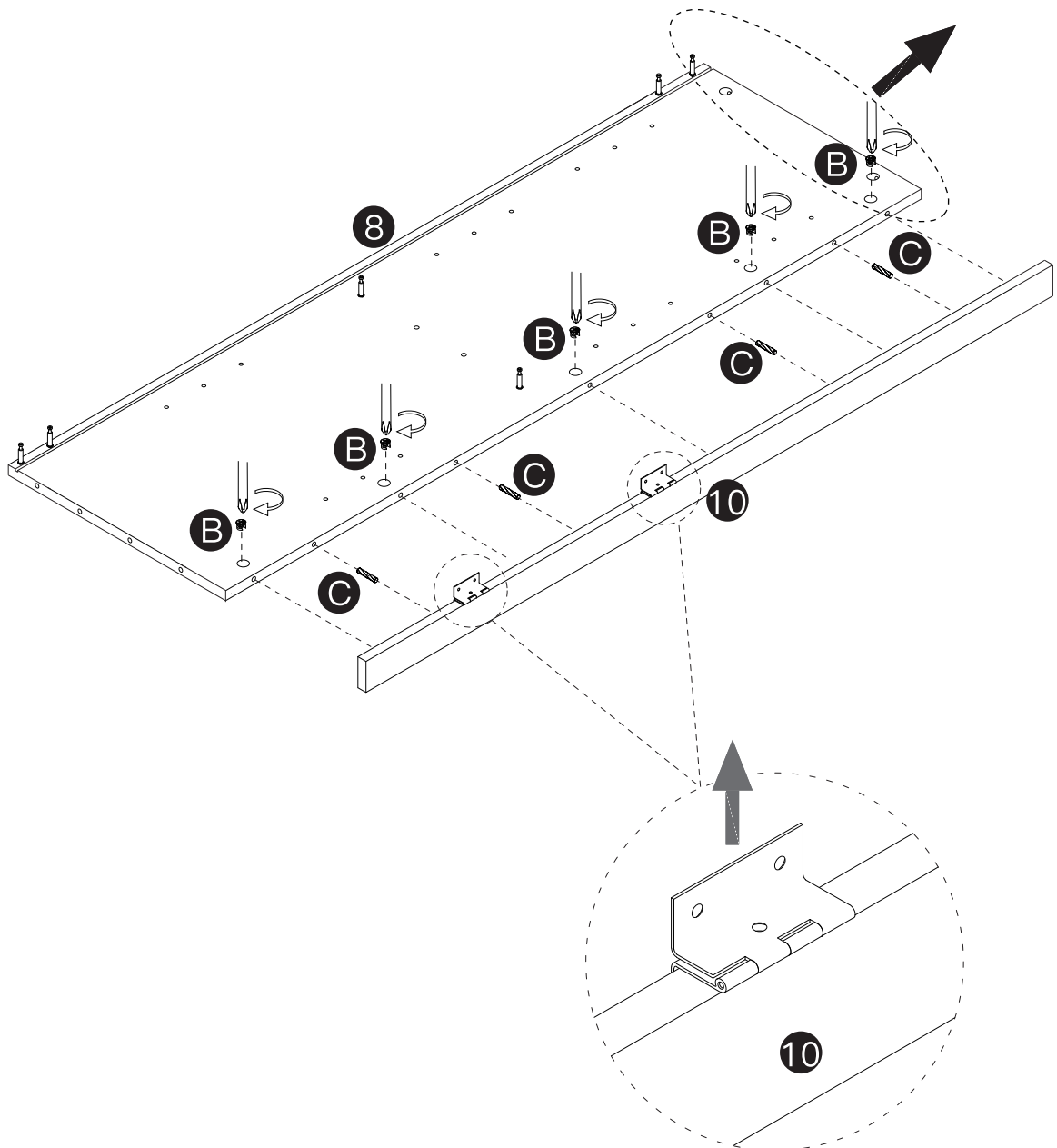
**C**



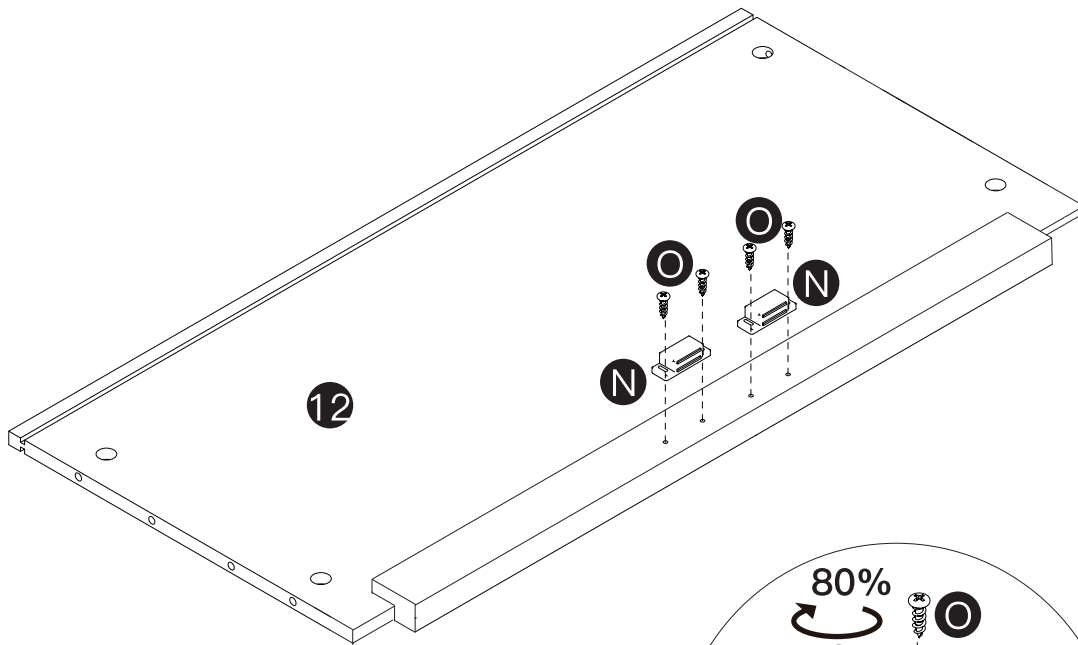
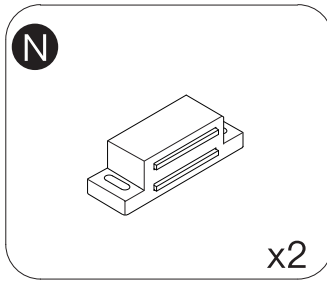
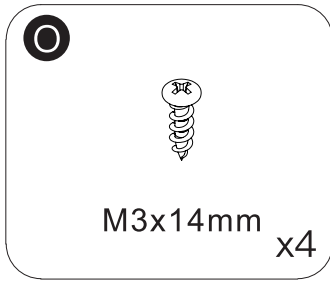
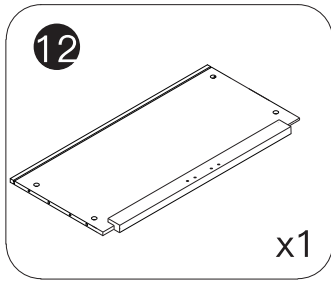
M6x30mm  
x4

## NOTICE:

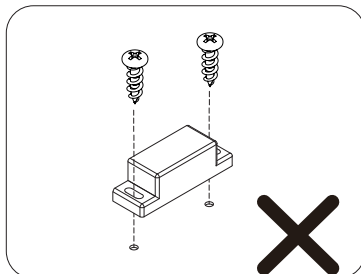
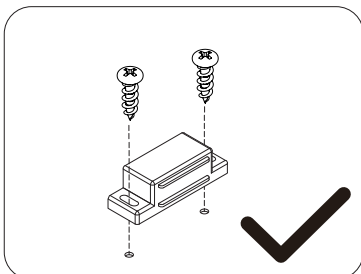
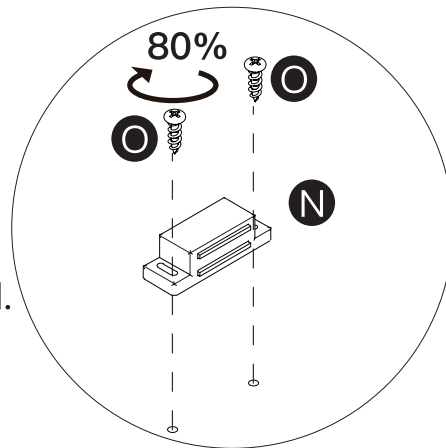
Please pay attention to the installation direction of parts **8** & **10**.



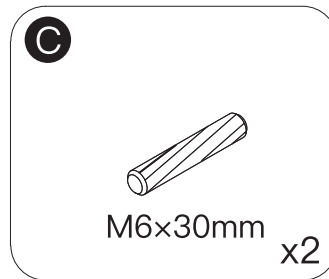
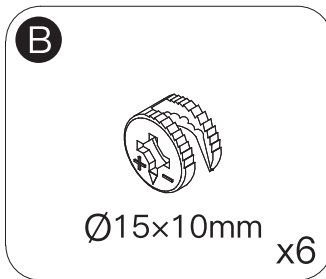
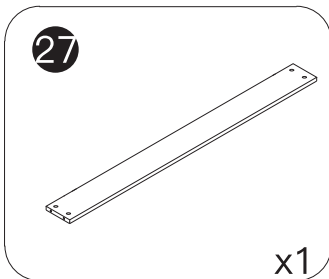
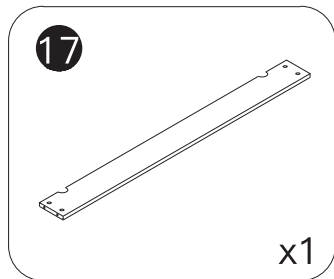
# STEP 7



**NOTICE:**  
The magnetic port faces outward.

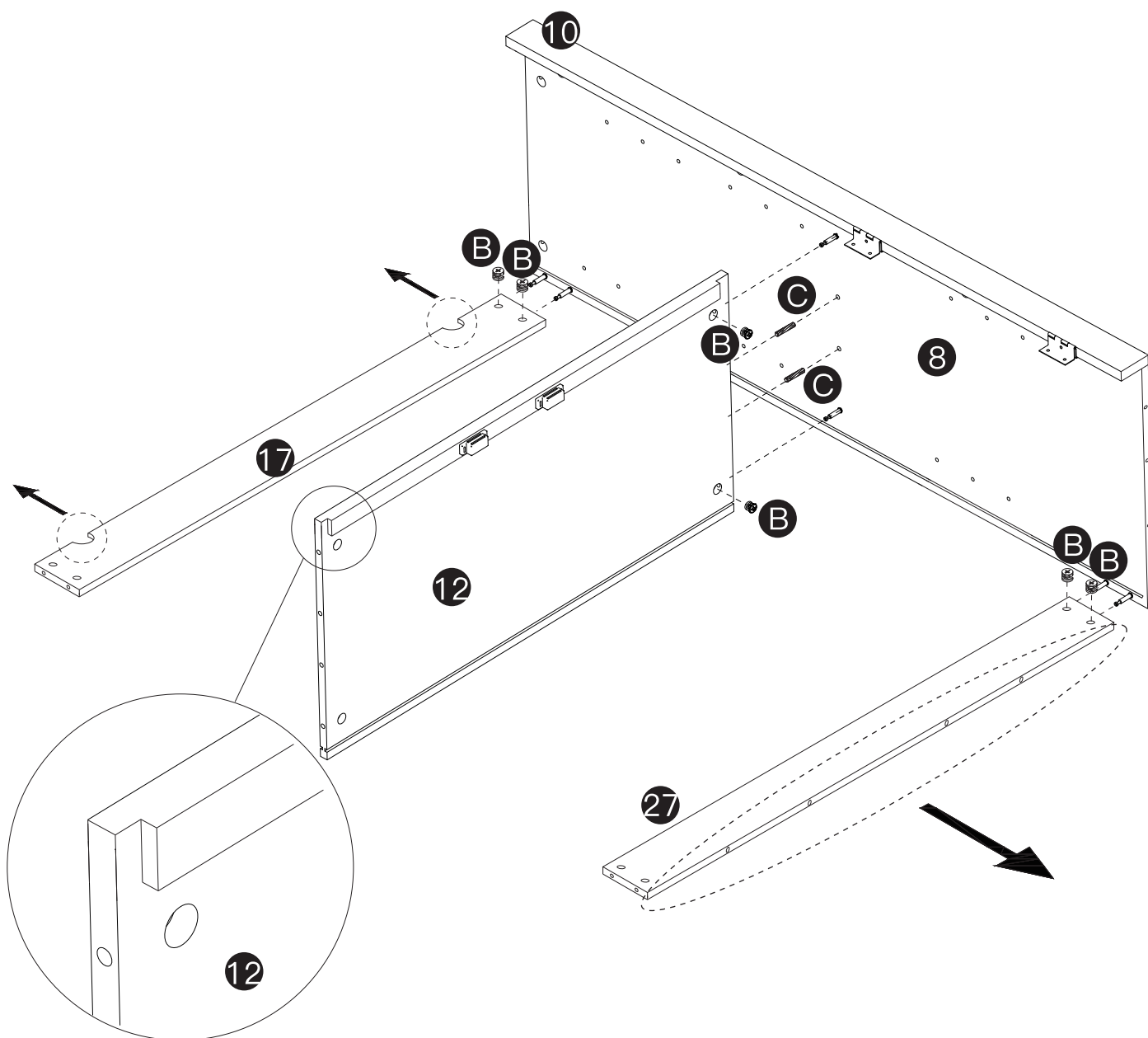


# STEP 8

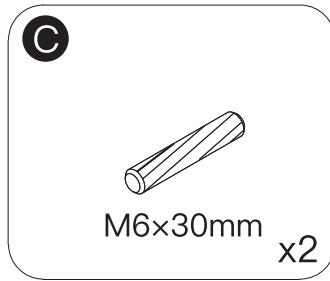
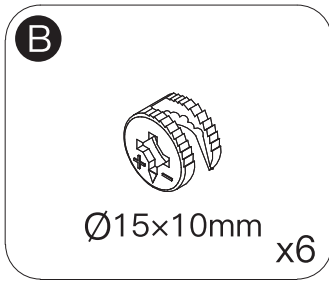


## NOTICE:

Please ensure that part 12, 17 & 27 is installed in the correct position.

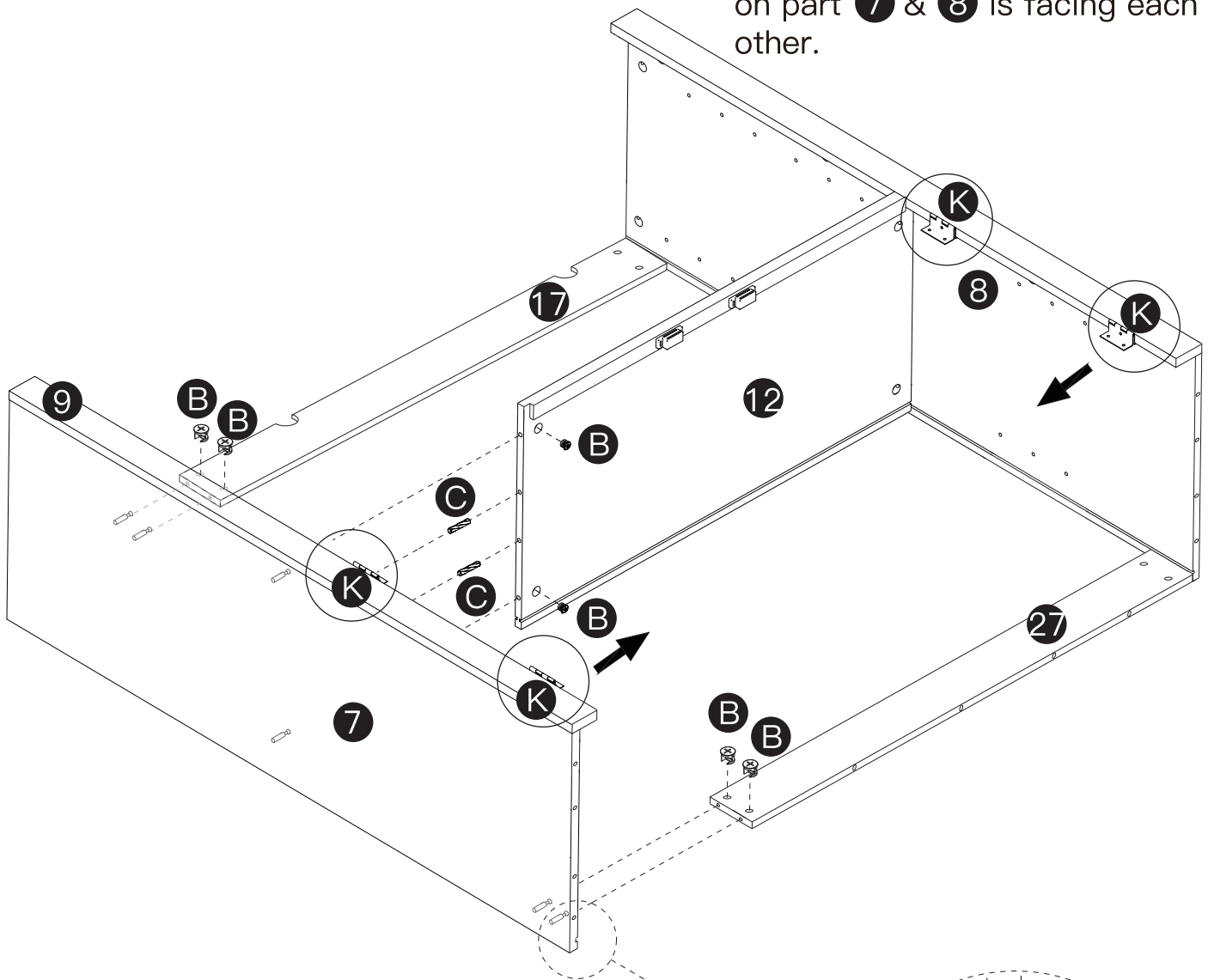


# STEP 9

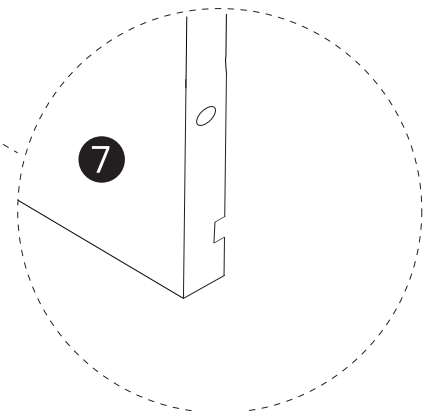


## NOTICE:

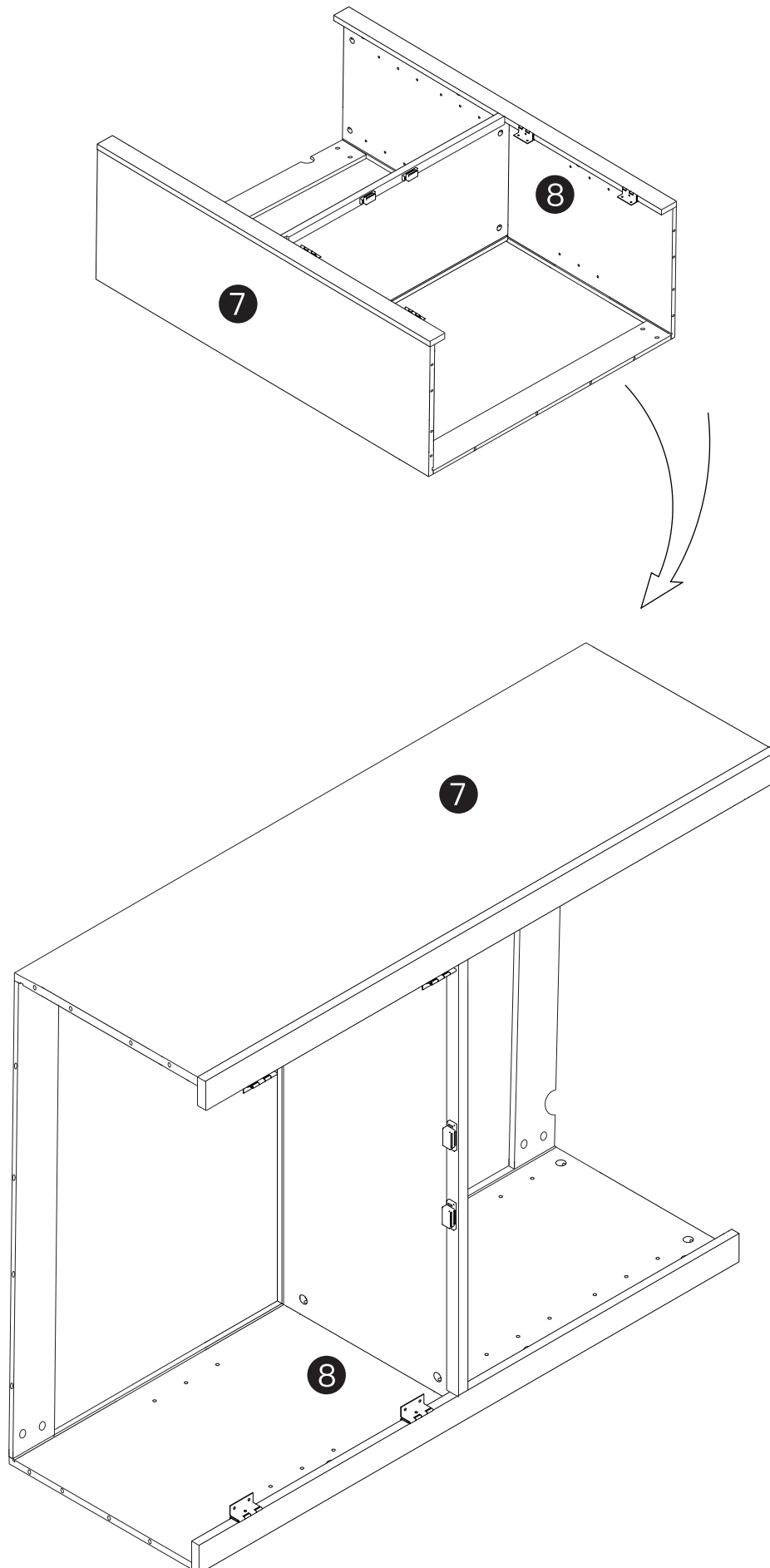
(1) Please ensure that parts **K** on part **7** & **8** is facing each other.



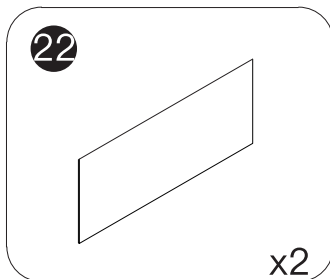
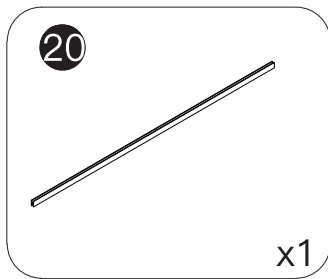
(2) Please ensure that the groove of part **7** is installed below.



# STEP 10

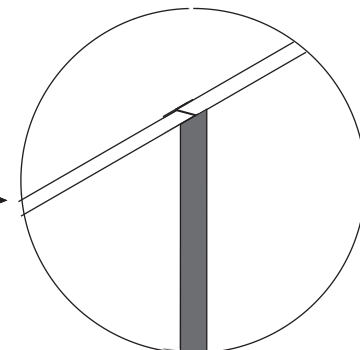
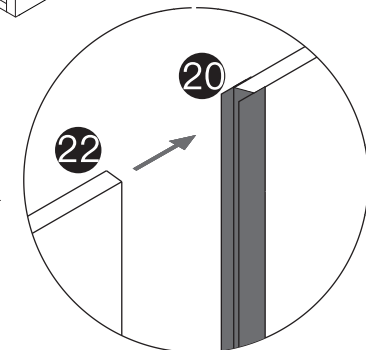
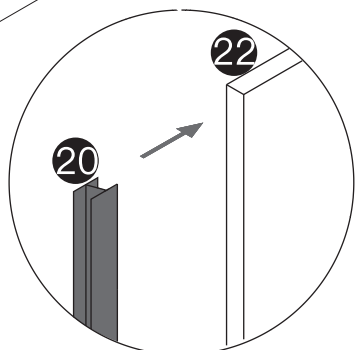
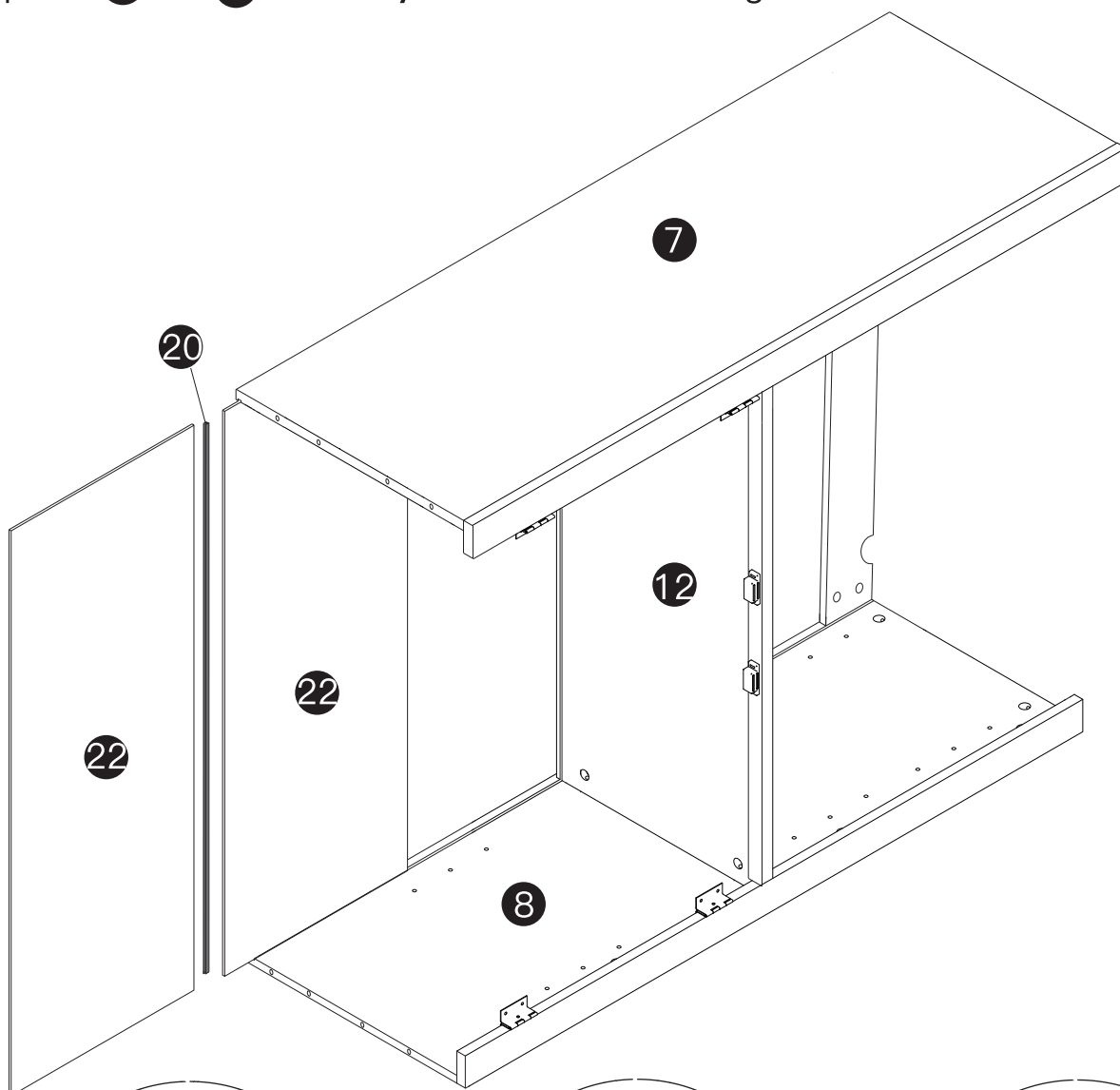


# STEP 11



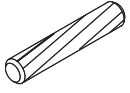
## NOTICE:

Install in the order of 22 , 20 , and 22 , ensuring that part 22 & 20 are **fully** embedded into the groove.

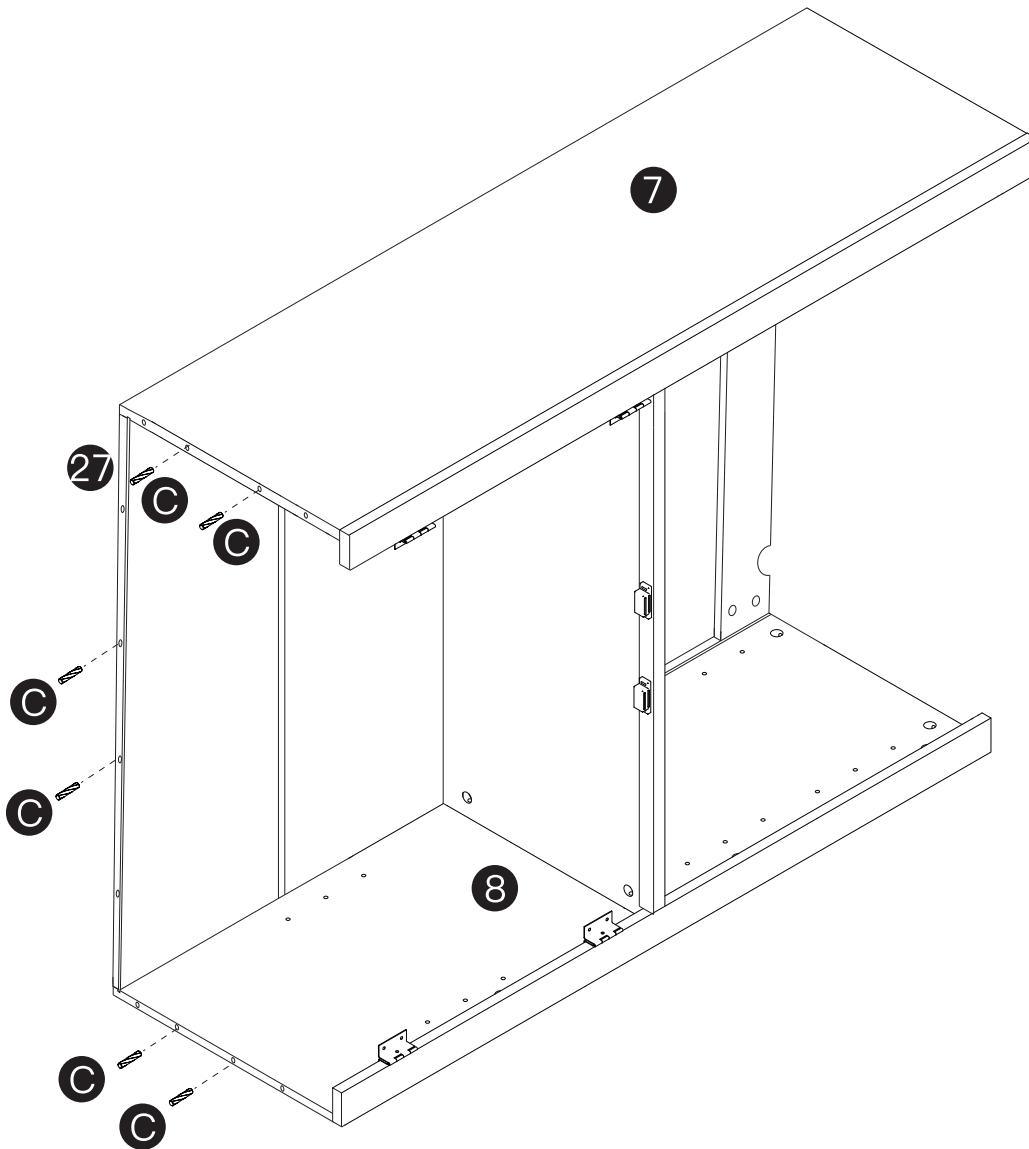


# STEP 12

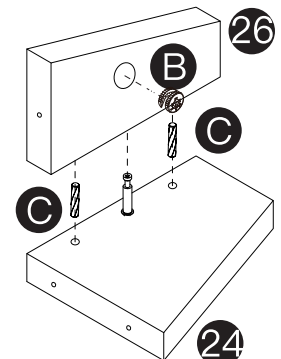
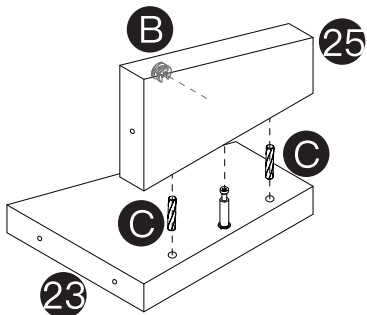
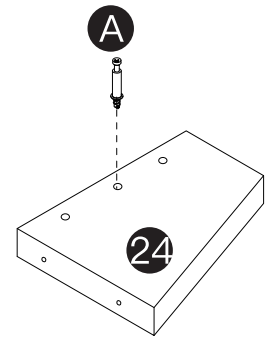
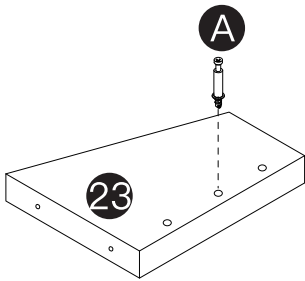
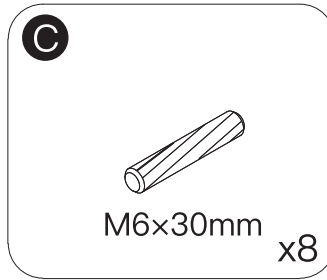
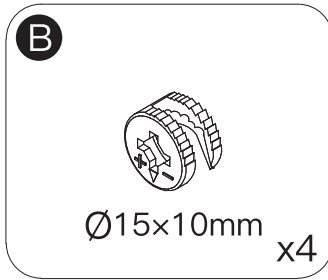
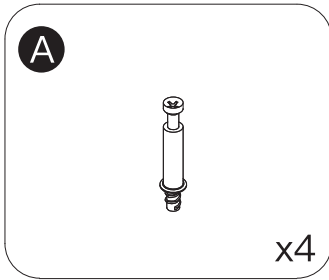
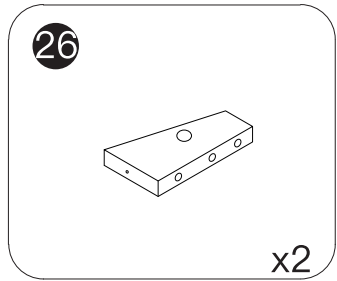
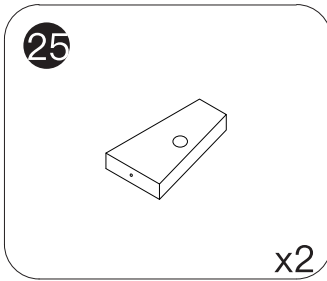
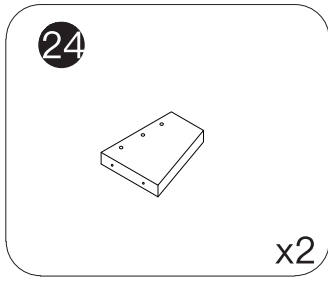
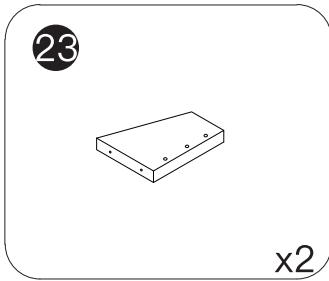
C



M6x30mm  
x6



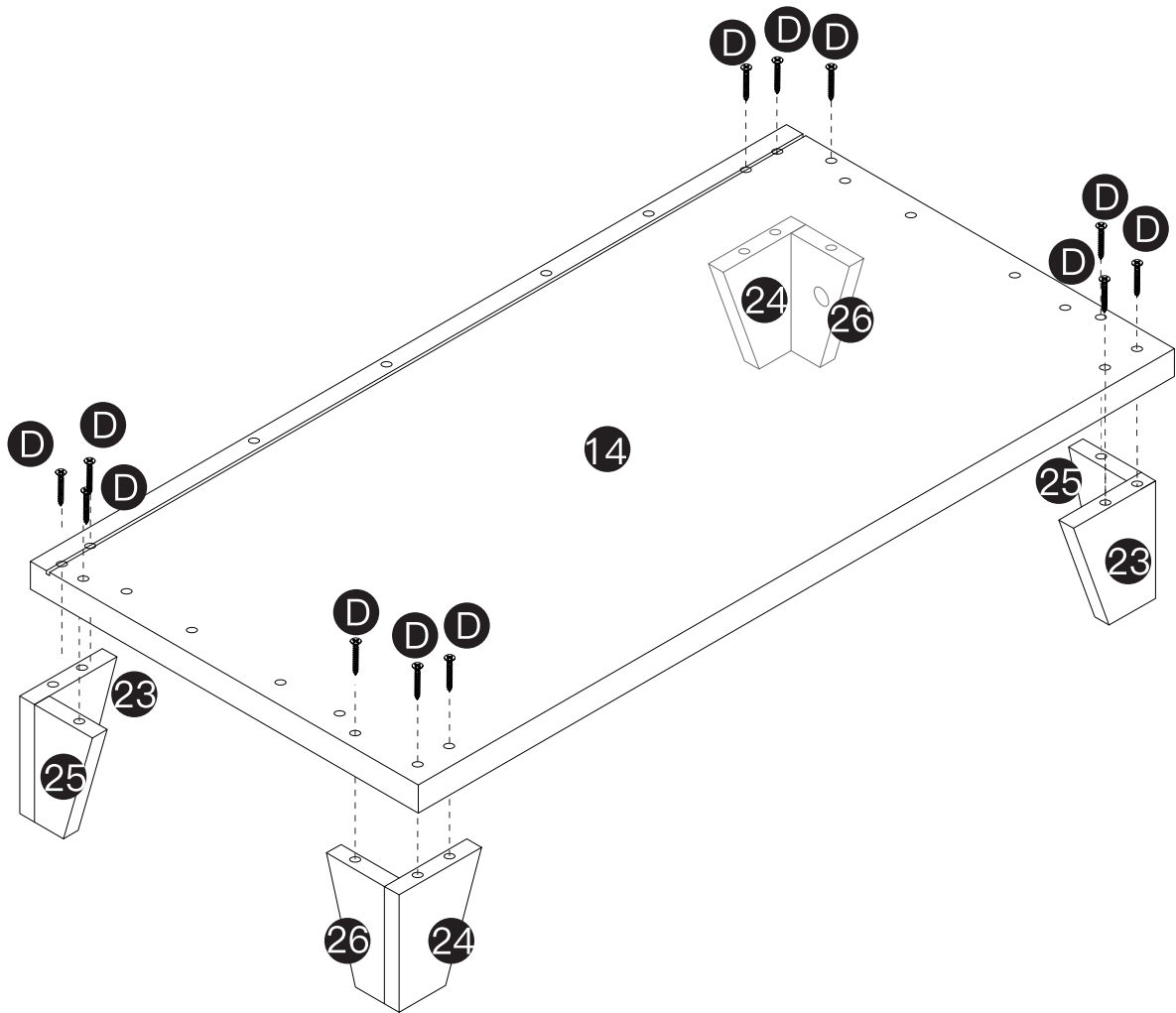
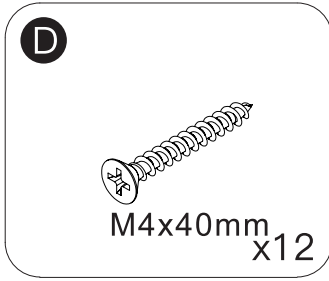
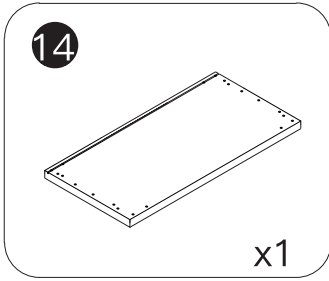
# STEP 13



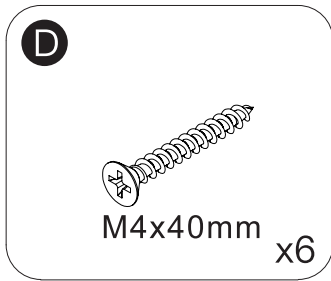
x2

x2

# STEP 14

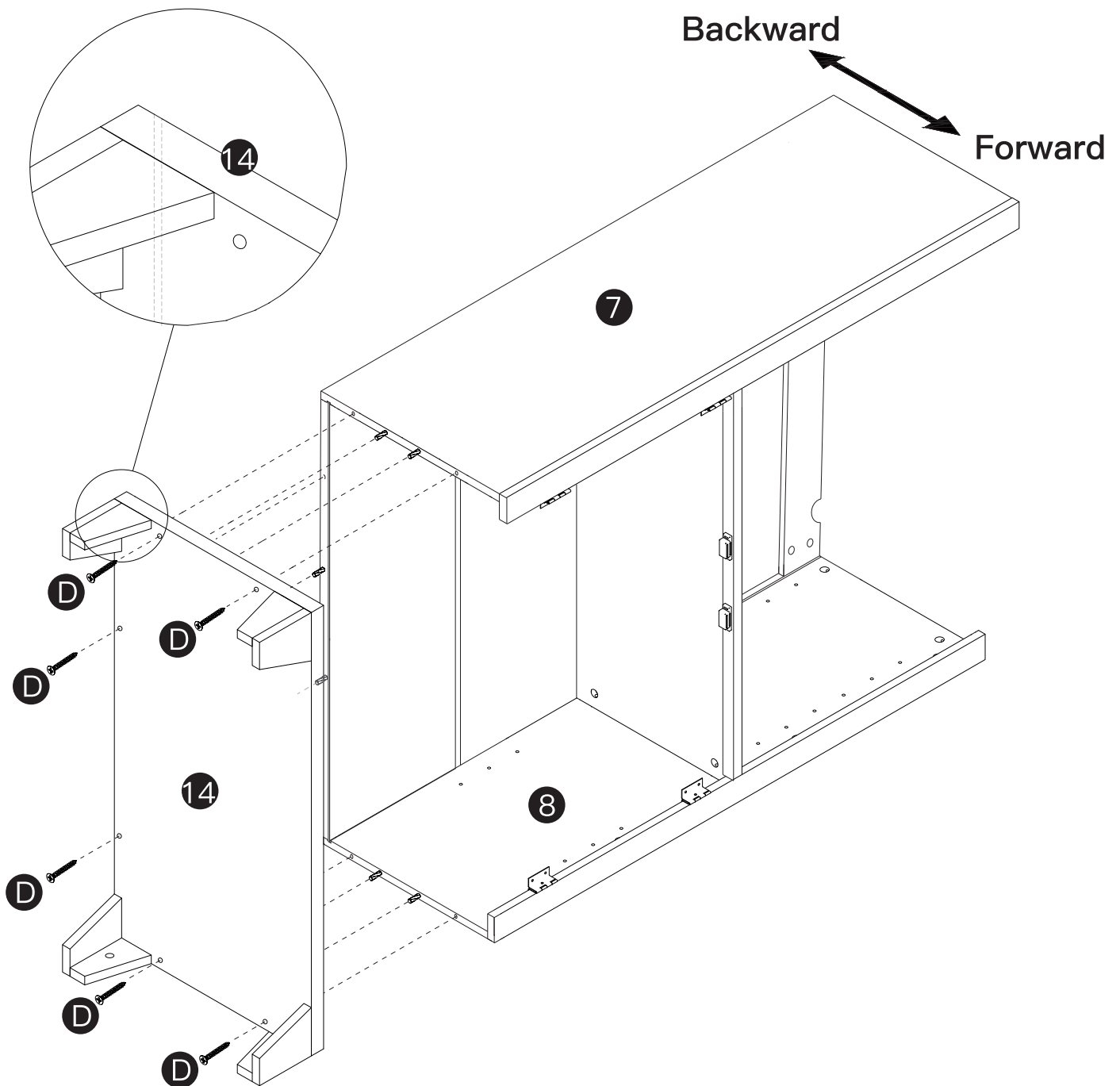


# STEP 15

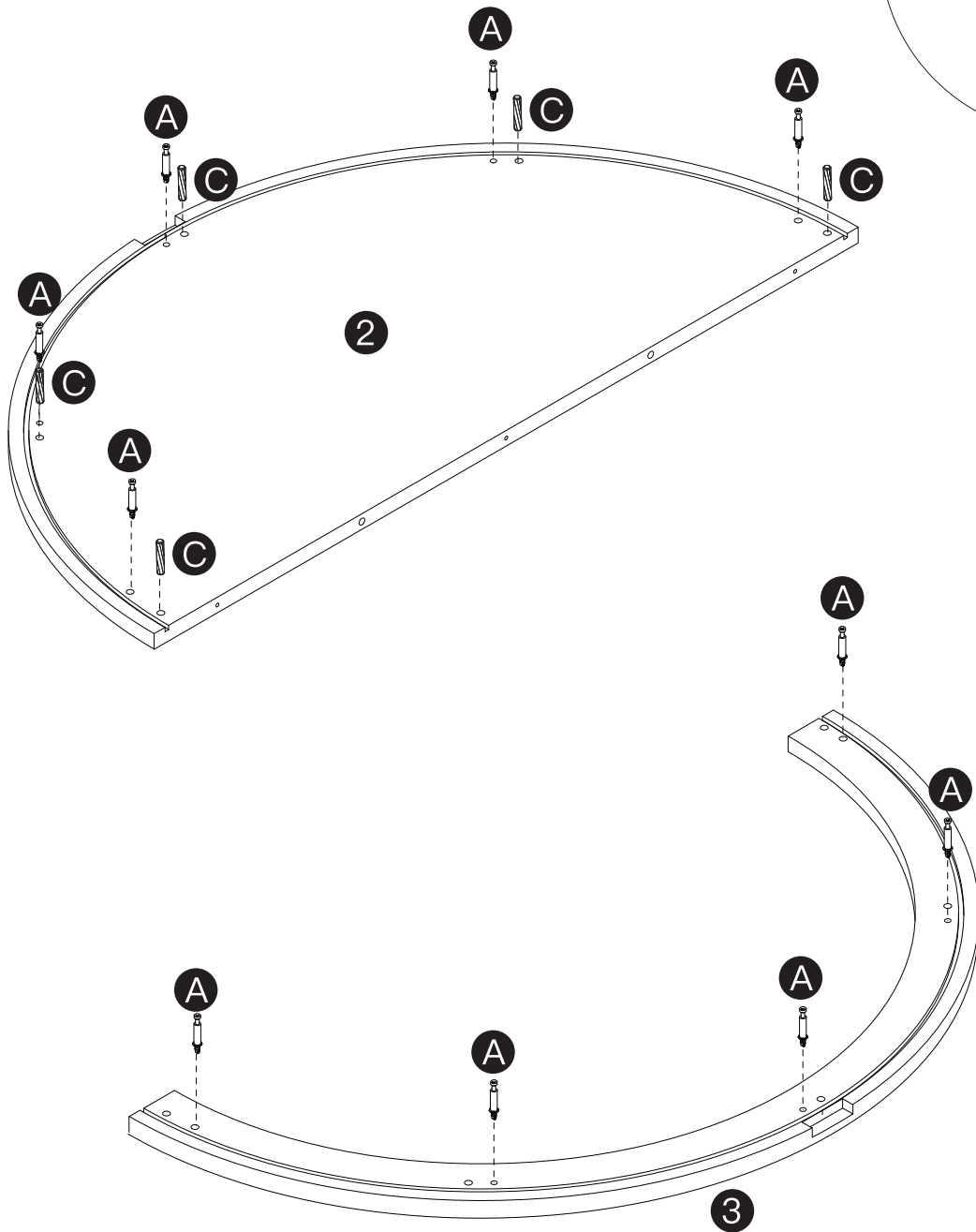
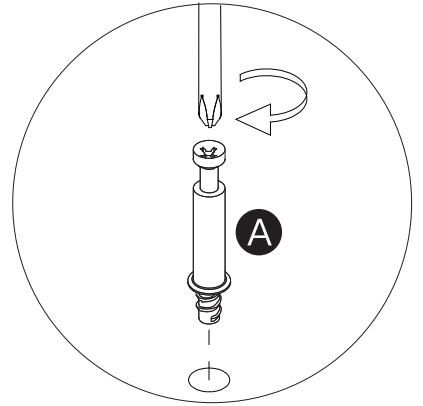
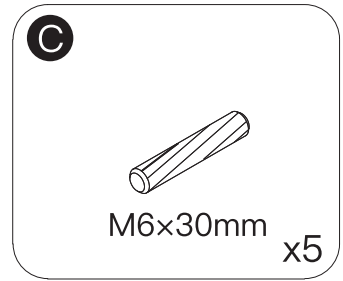
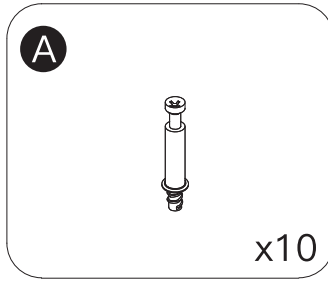
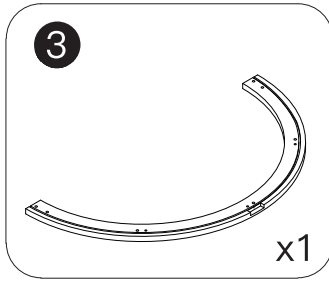
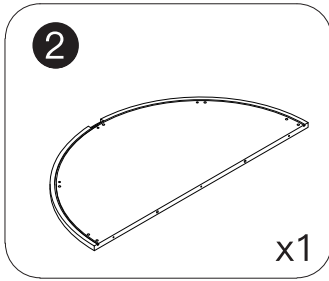


## NOTICE:

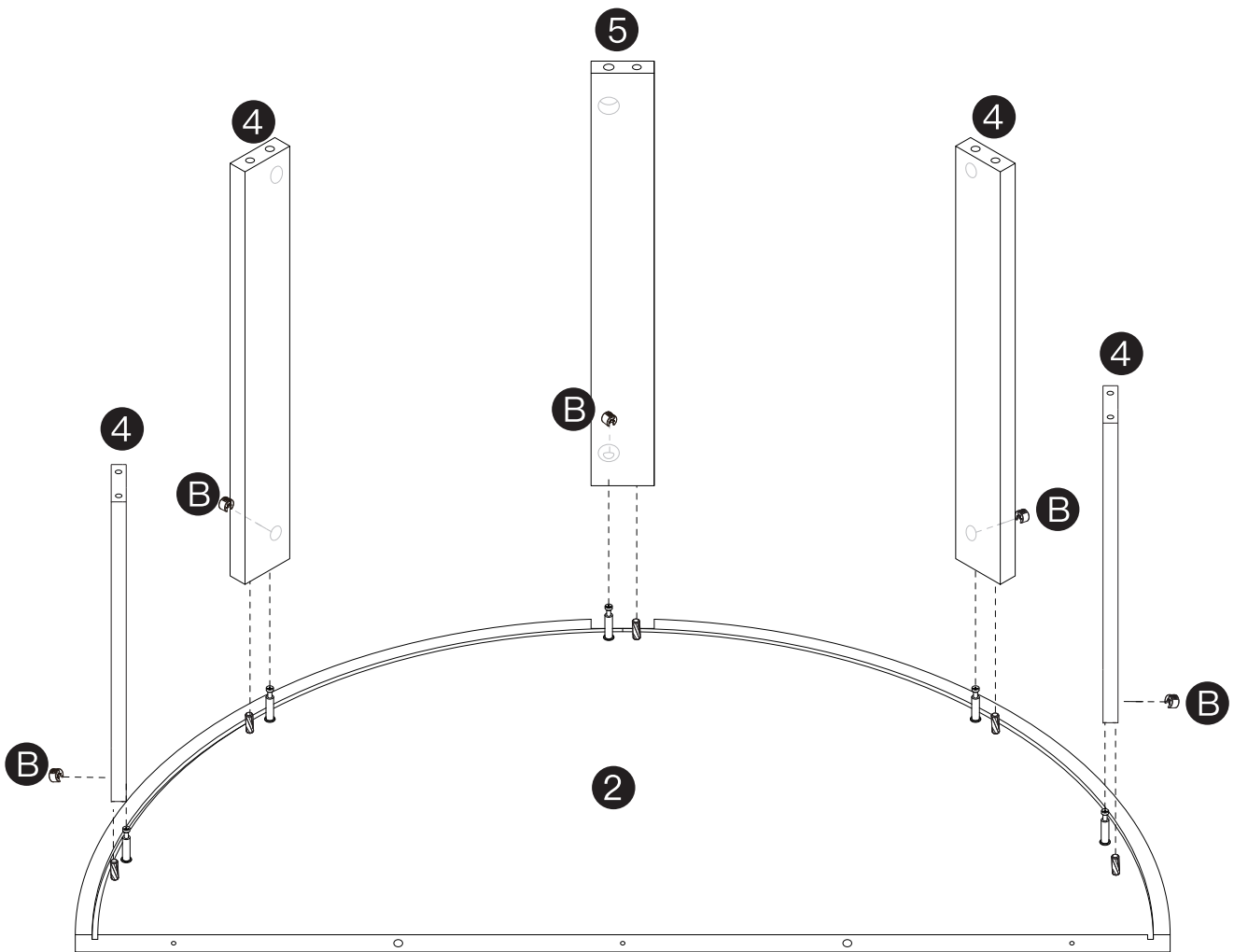
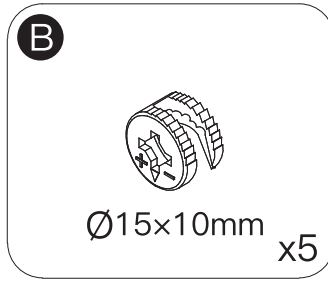
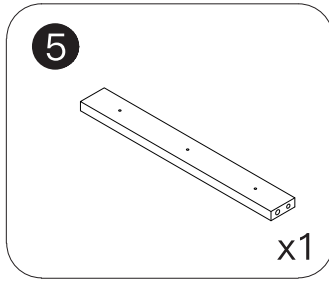
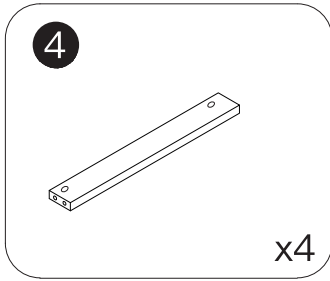
Please ensure that the groove of part **14** is installed in the rear position.



# STEP 16

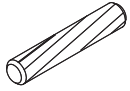


# STEP 17

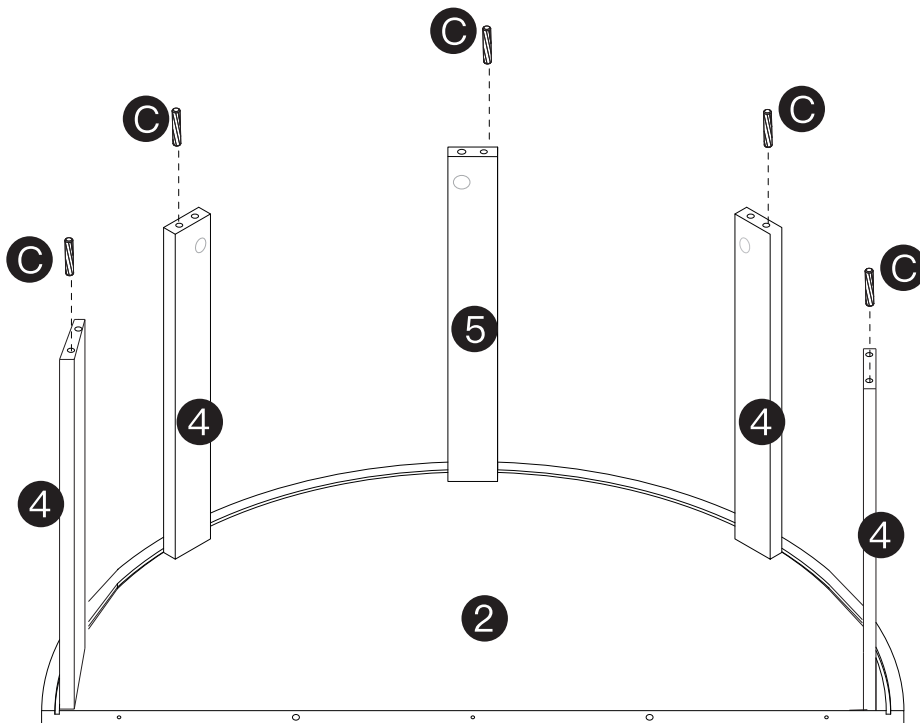


# STEP 18

C

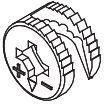


M6x30mm  
x5

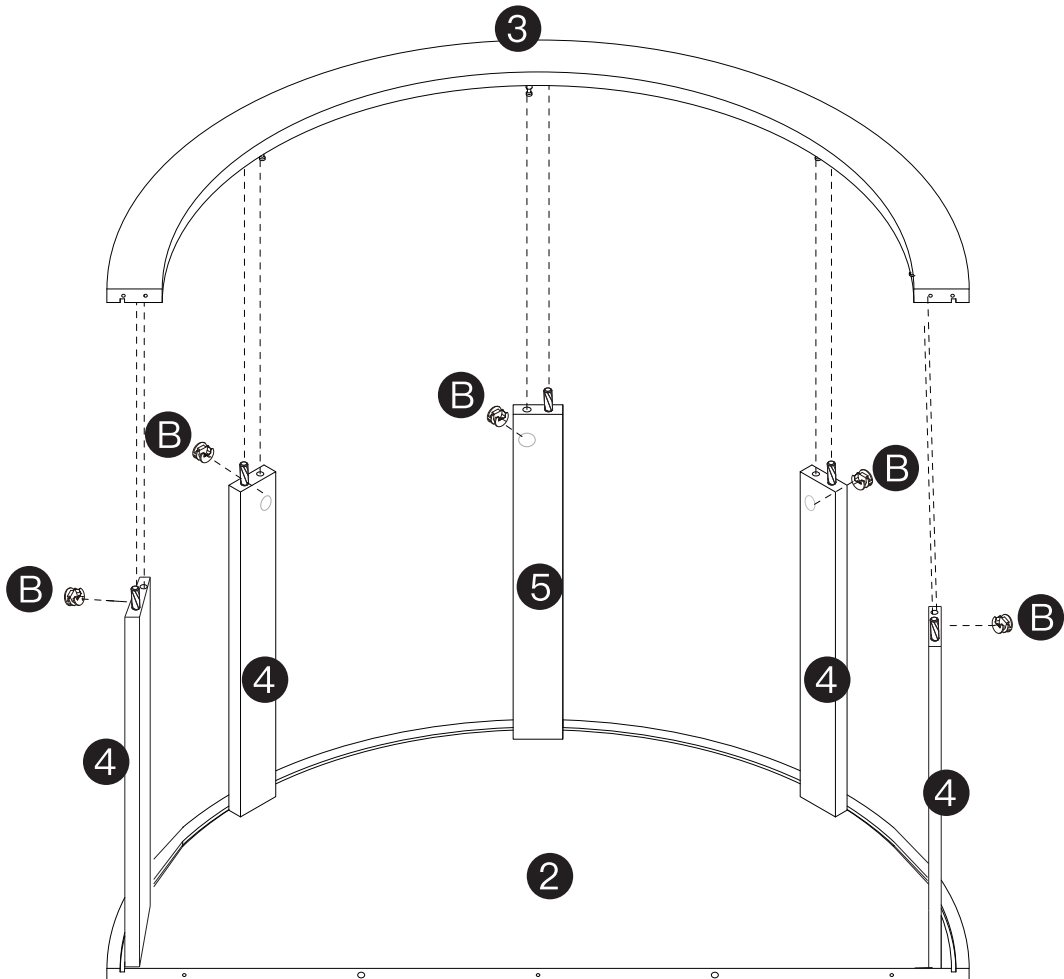


# STEP 19

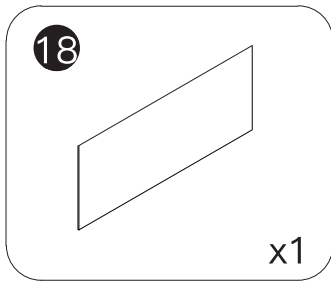
**B**



Ø15x10mm  
x5

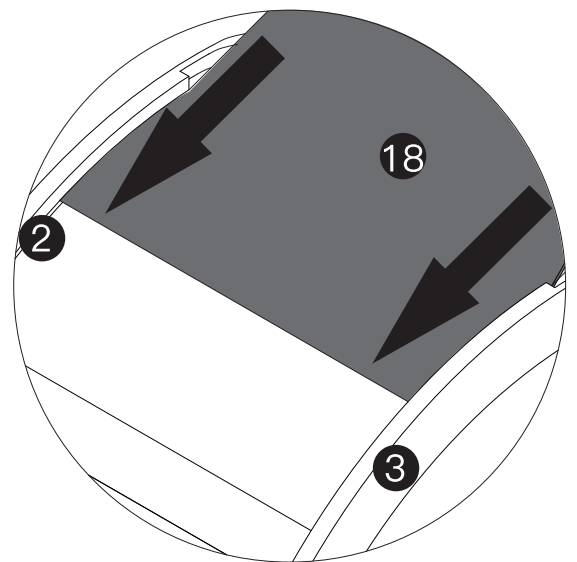
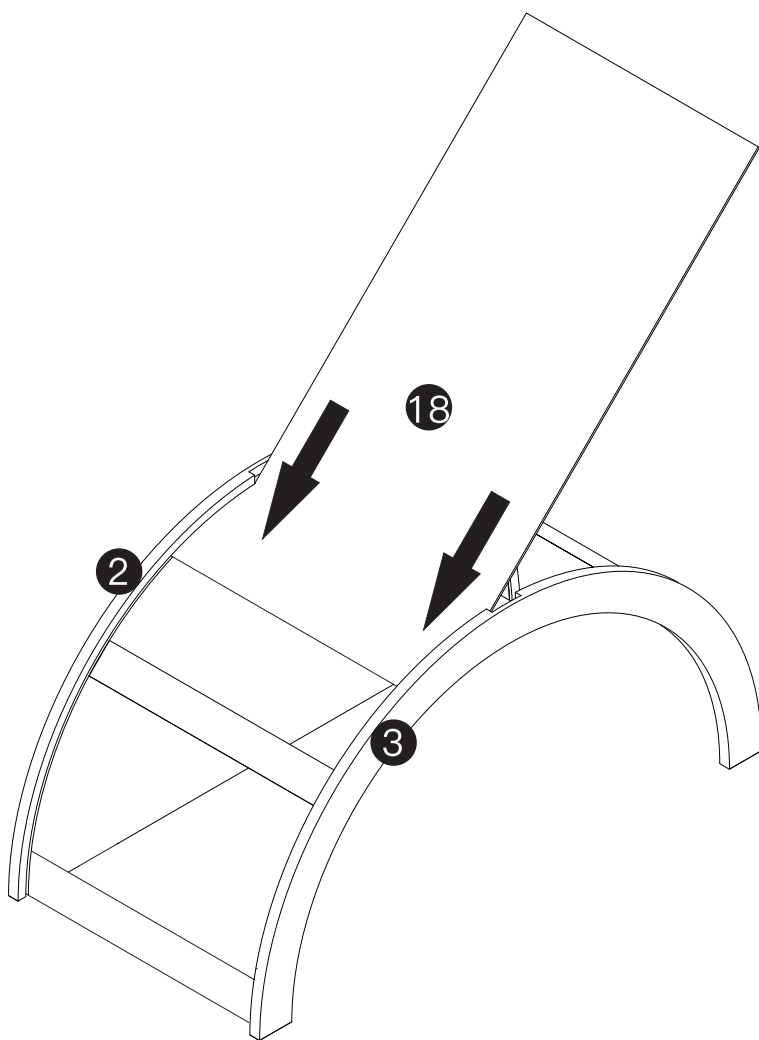


# STEP 20

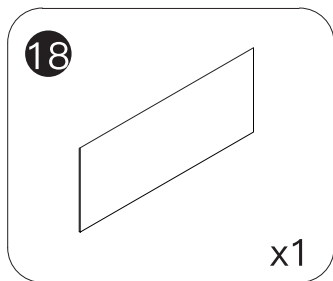


## NOTICE:

When installing part 18, please push it parallel into the groove on both sides to avoid getting stuck.

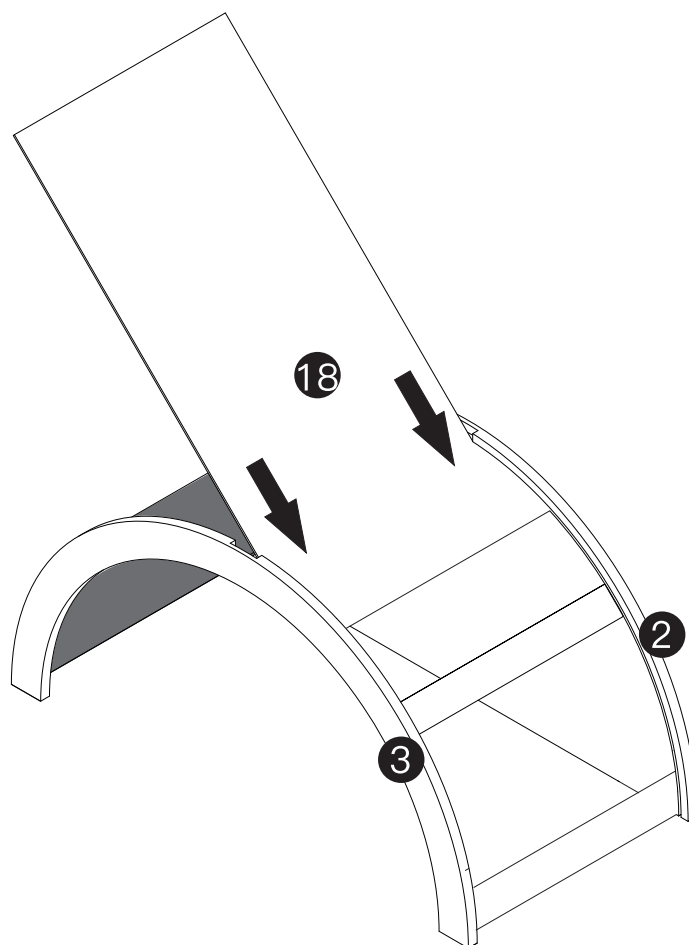
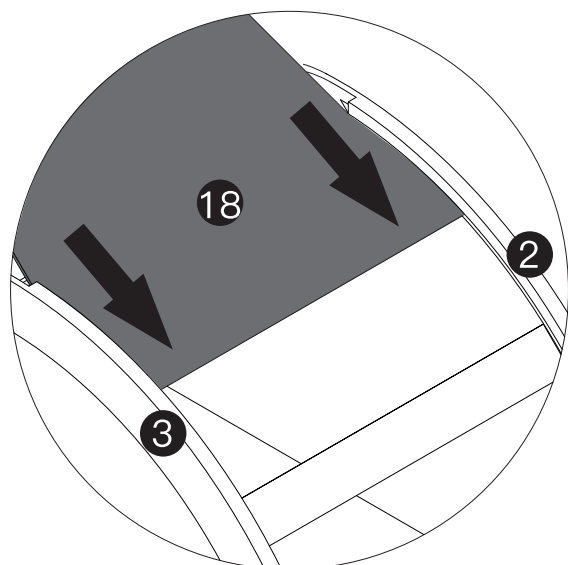


# STEP 21

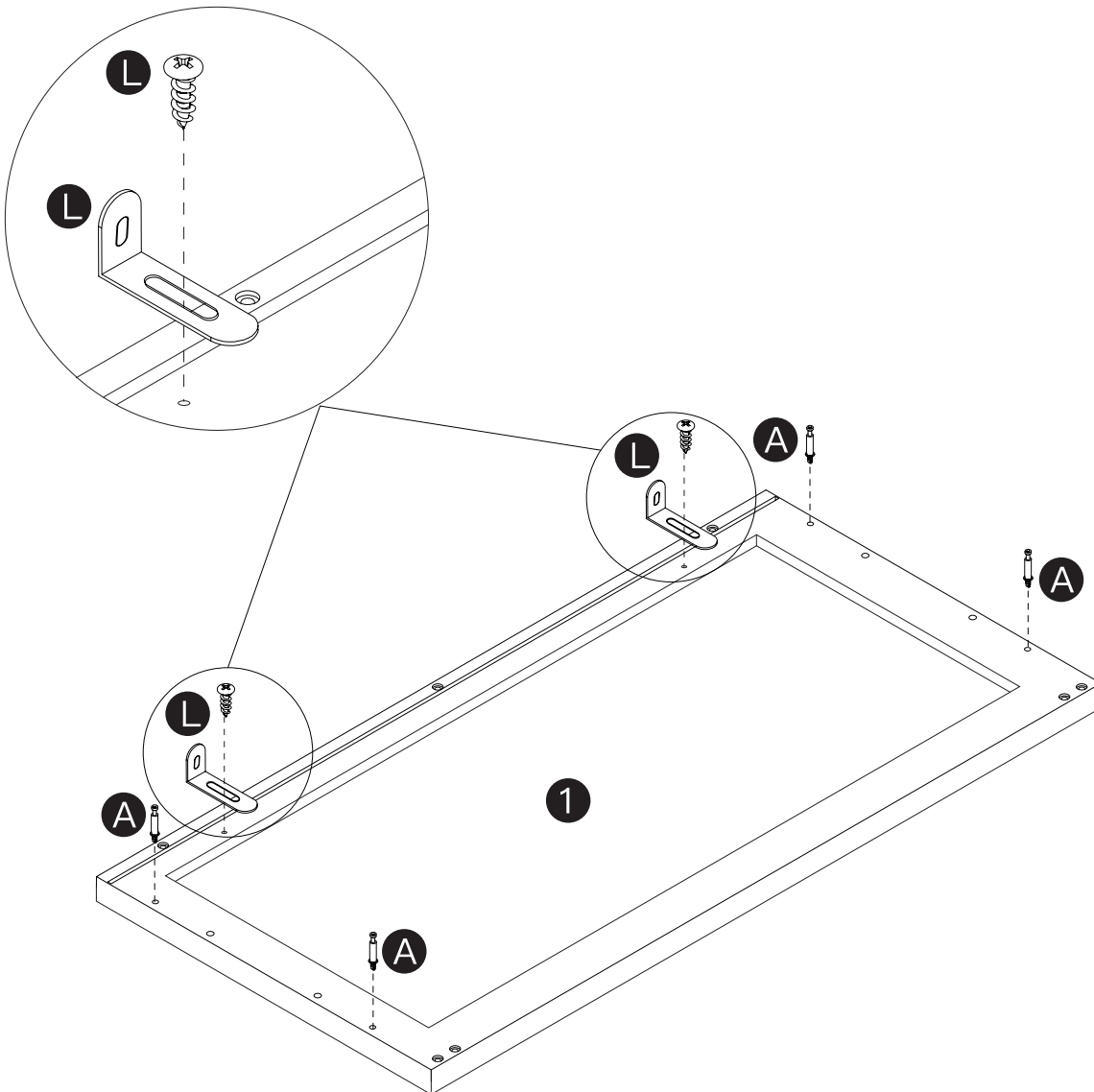
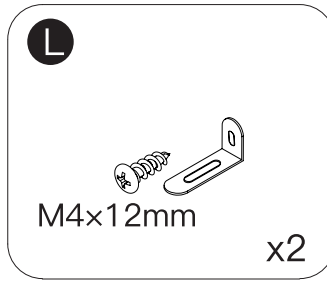
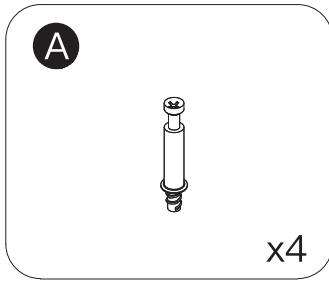
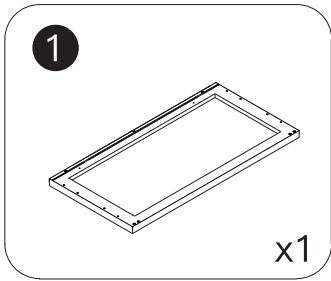


## NOTICE:

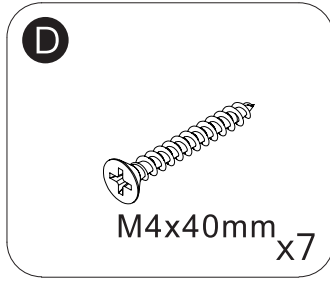
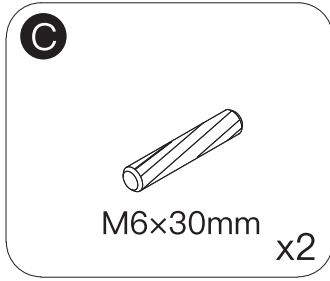
When installing part **18**, please push it parallel into the groove on both sides to avoid getting stuck.



# STEP 22

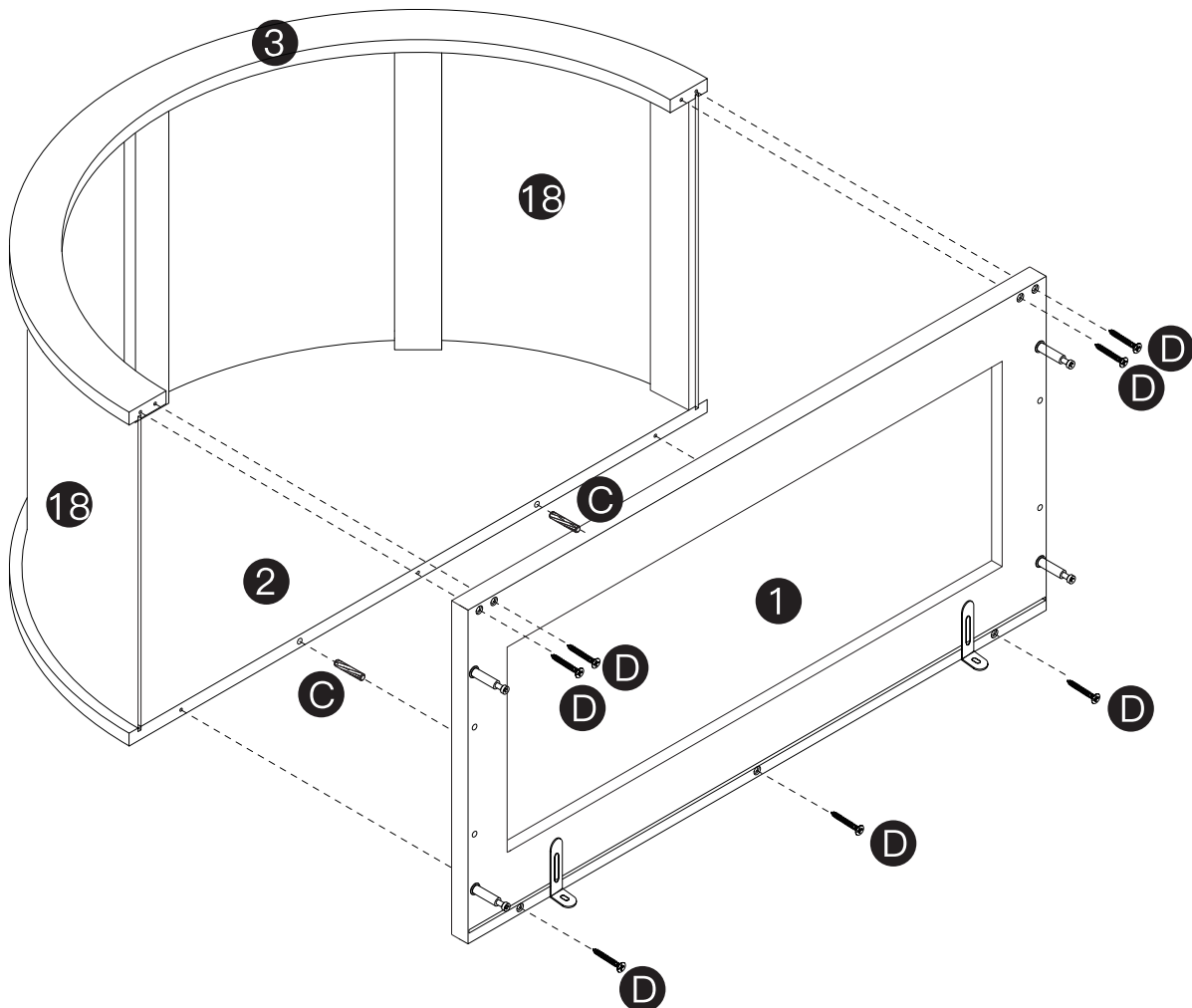


# STEP 23

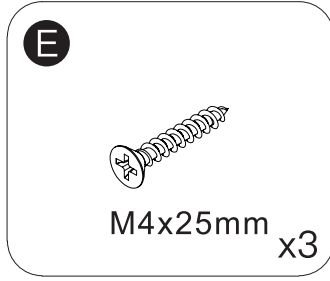
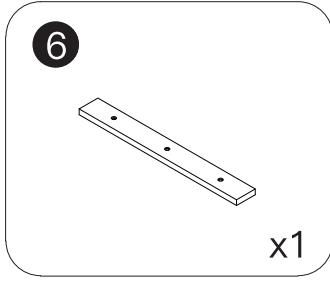


## NOTICE:

Ensure that part **18** are firmly fixed in the groove before installation.

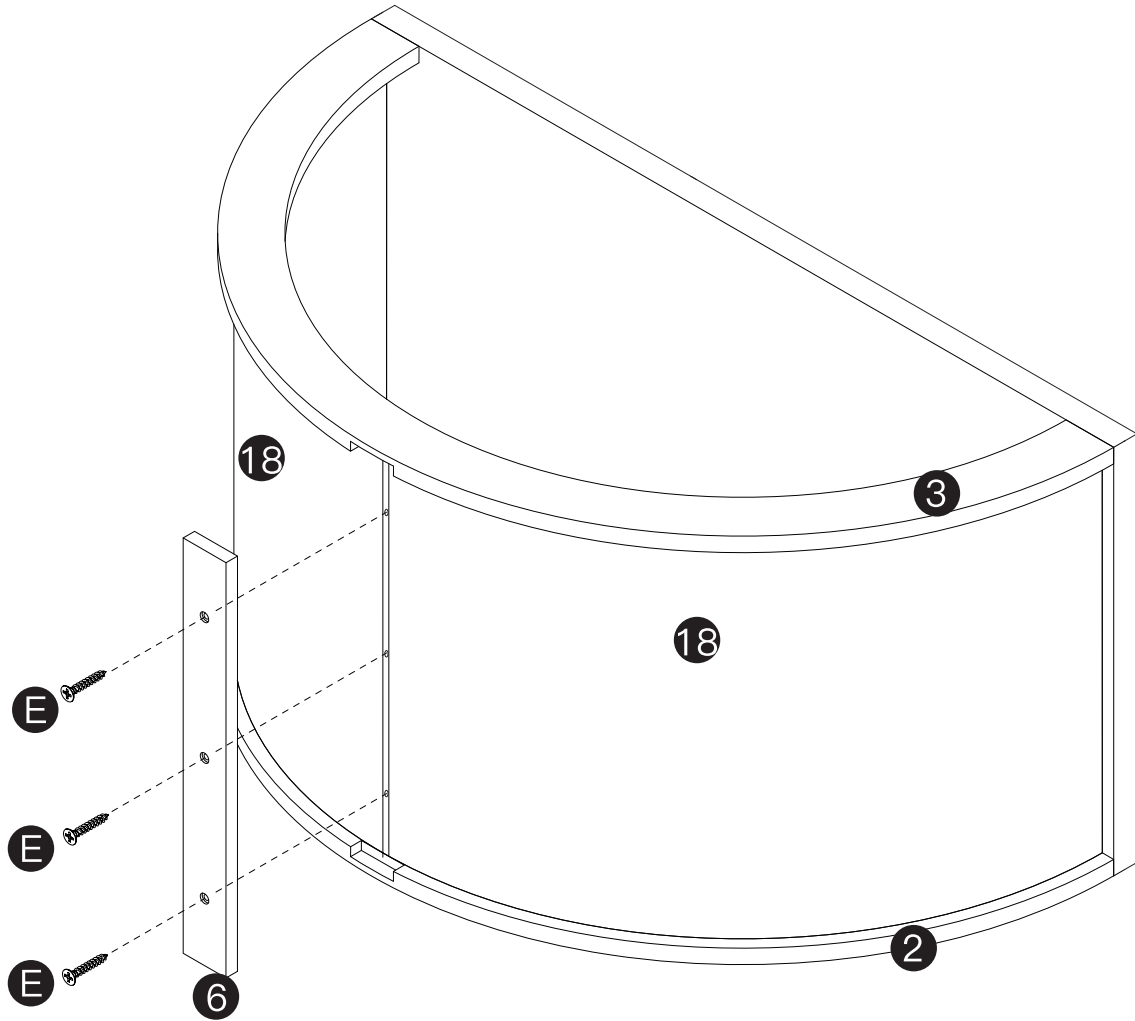


# STEP 24

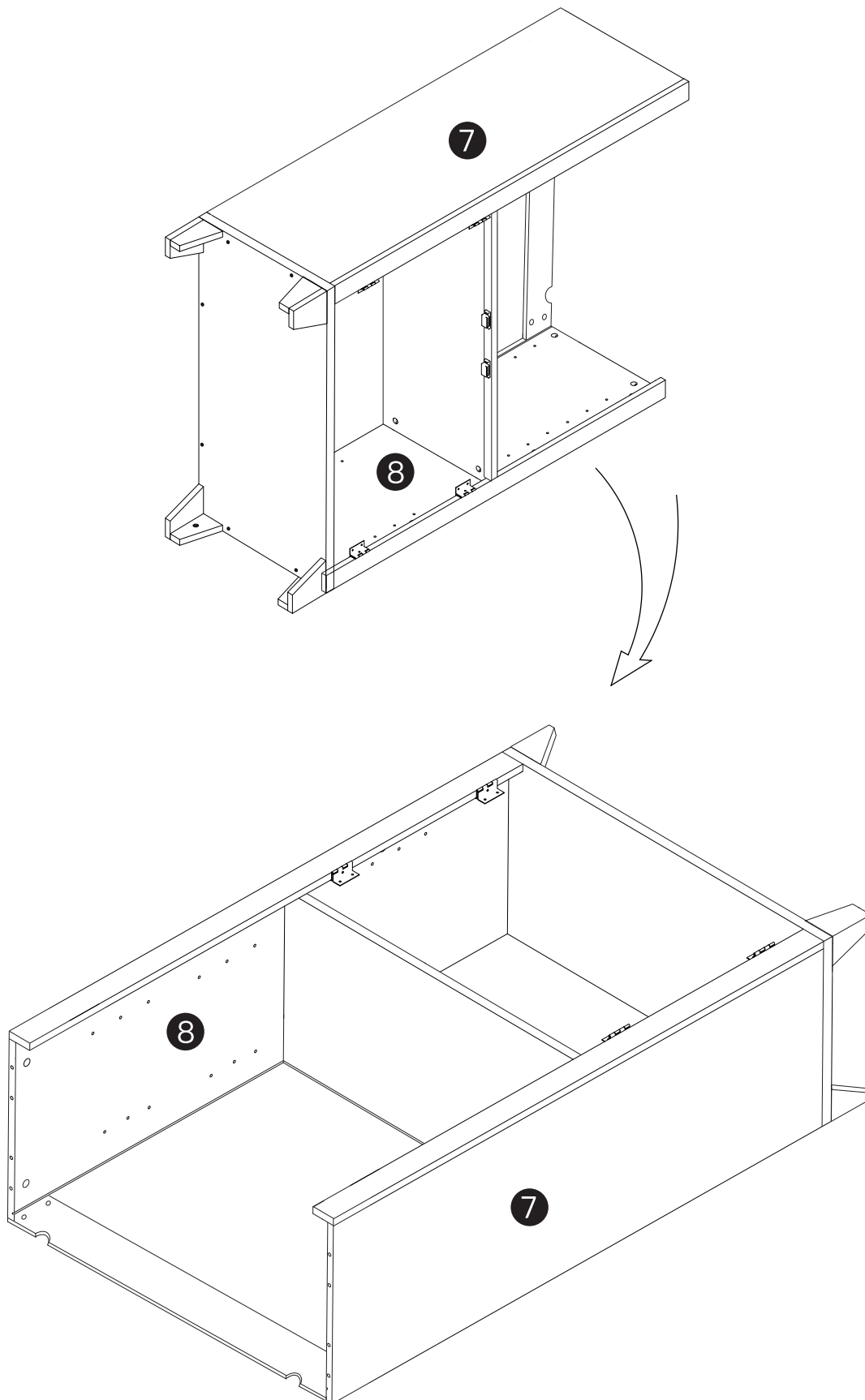


## NOTICE:

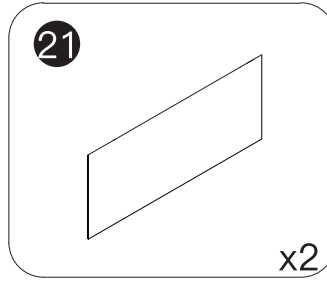
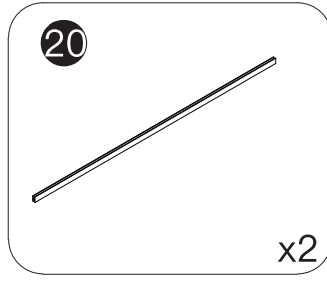
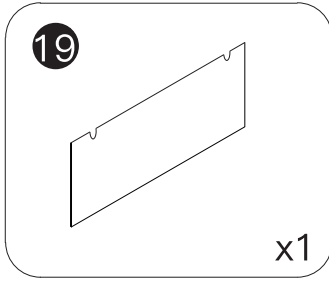
Please ensure that part **6** is **fully embedded** before installing the screws.



# STEP 25

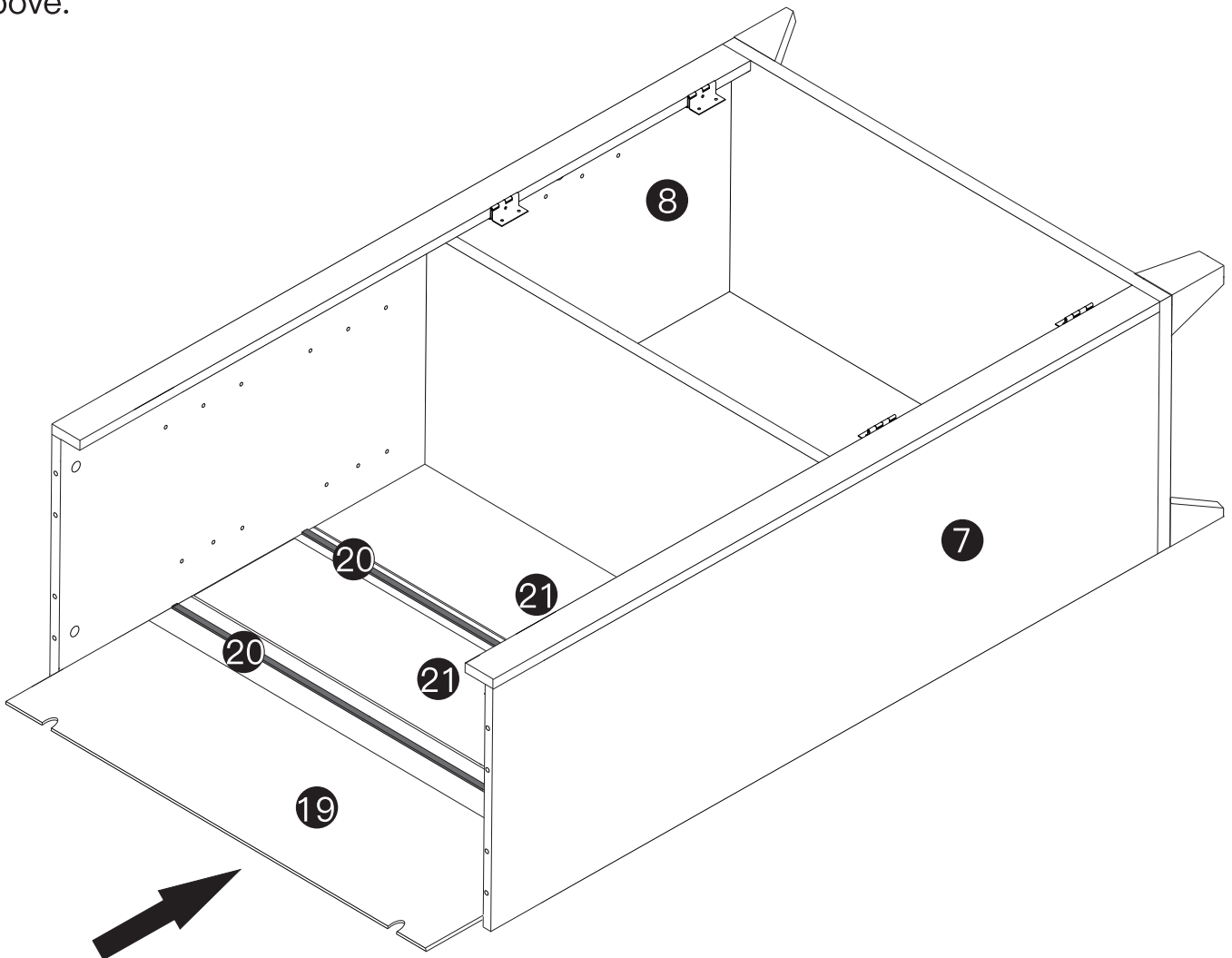


## STEP 26



### NOTICE:

Install in the order of 21 , 20 , 21 , 20 , and 19 ensuring that all parts are **fully** embedded into the groove.



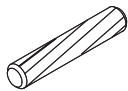
# STEP 27

**B**

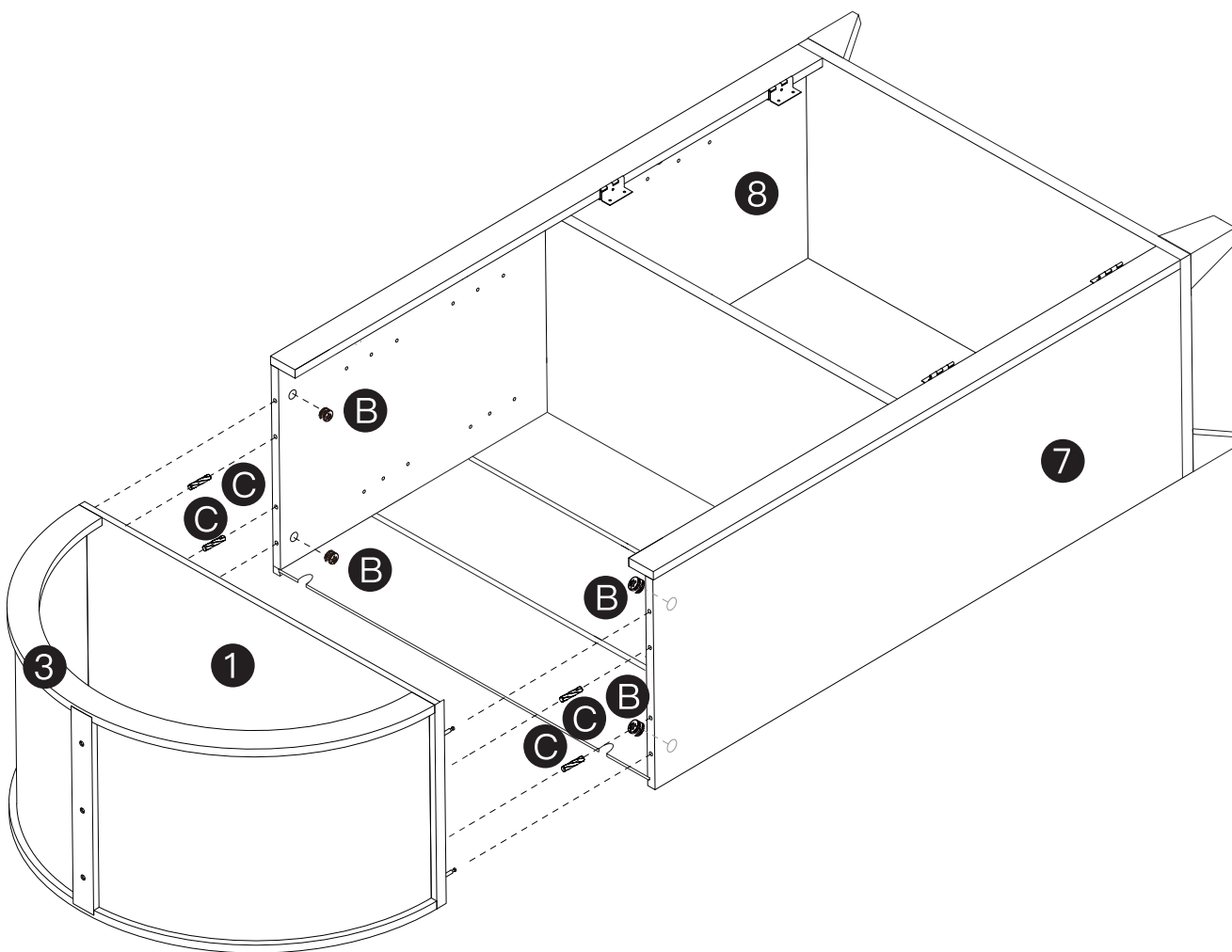


Ø15x10mm  
x4

**C**



M6x30mm  
x4



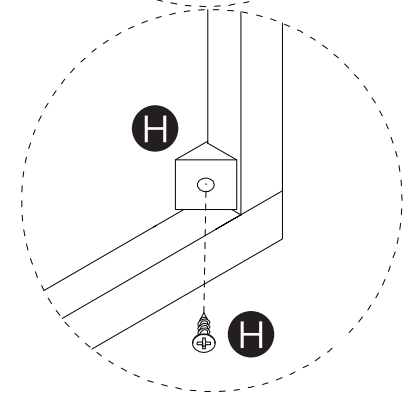
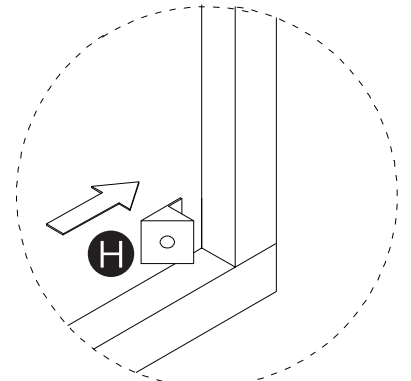
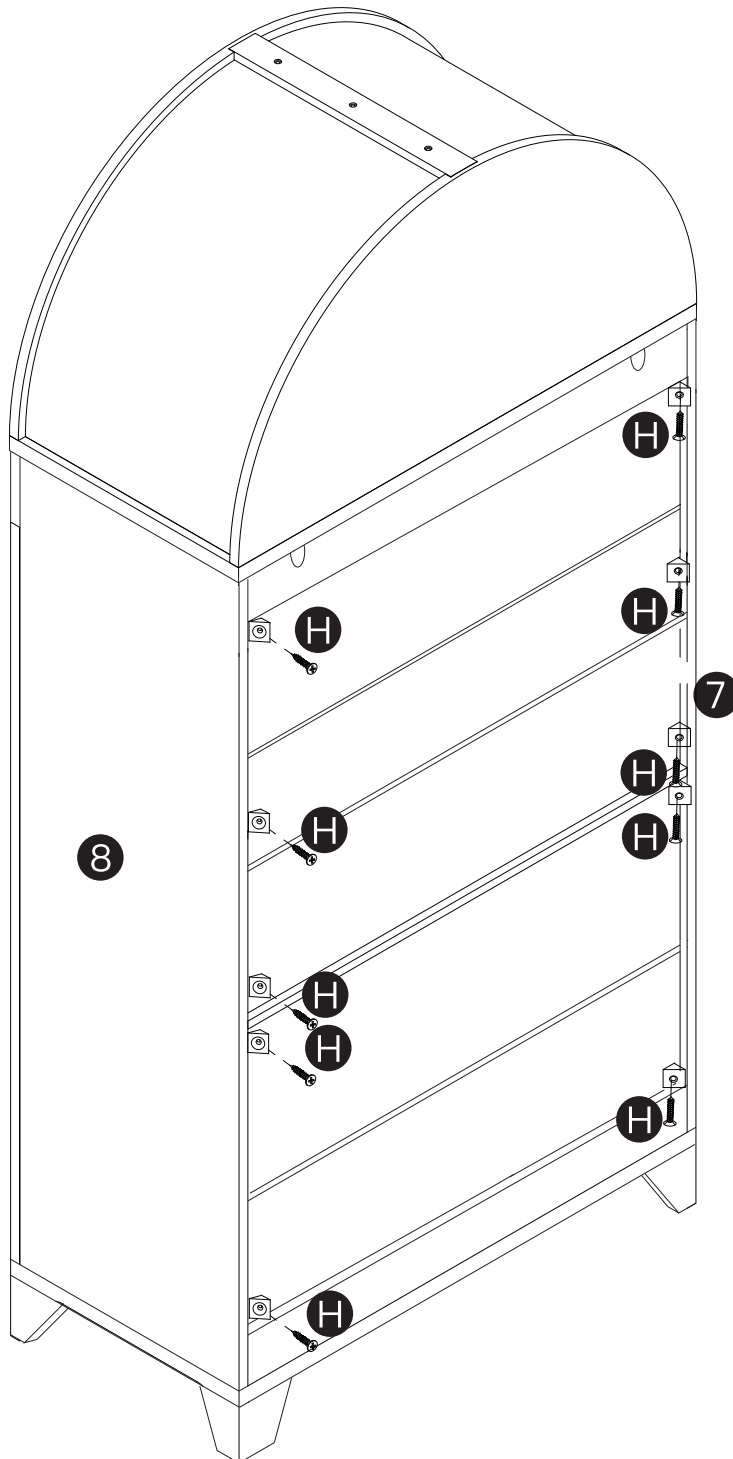
# STEP 28

H



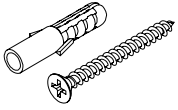
M3x14mm

x10



# STEP 29

L

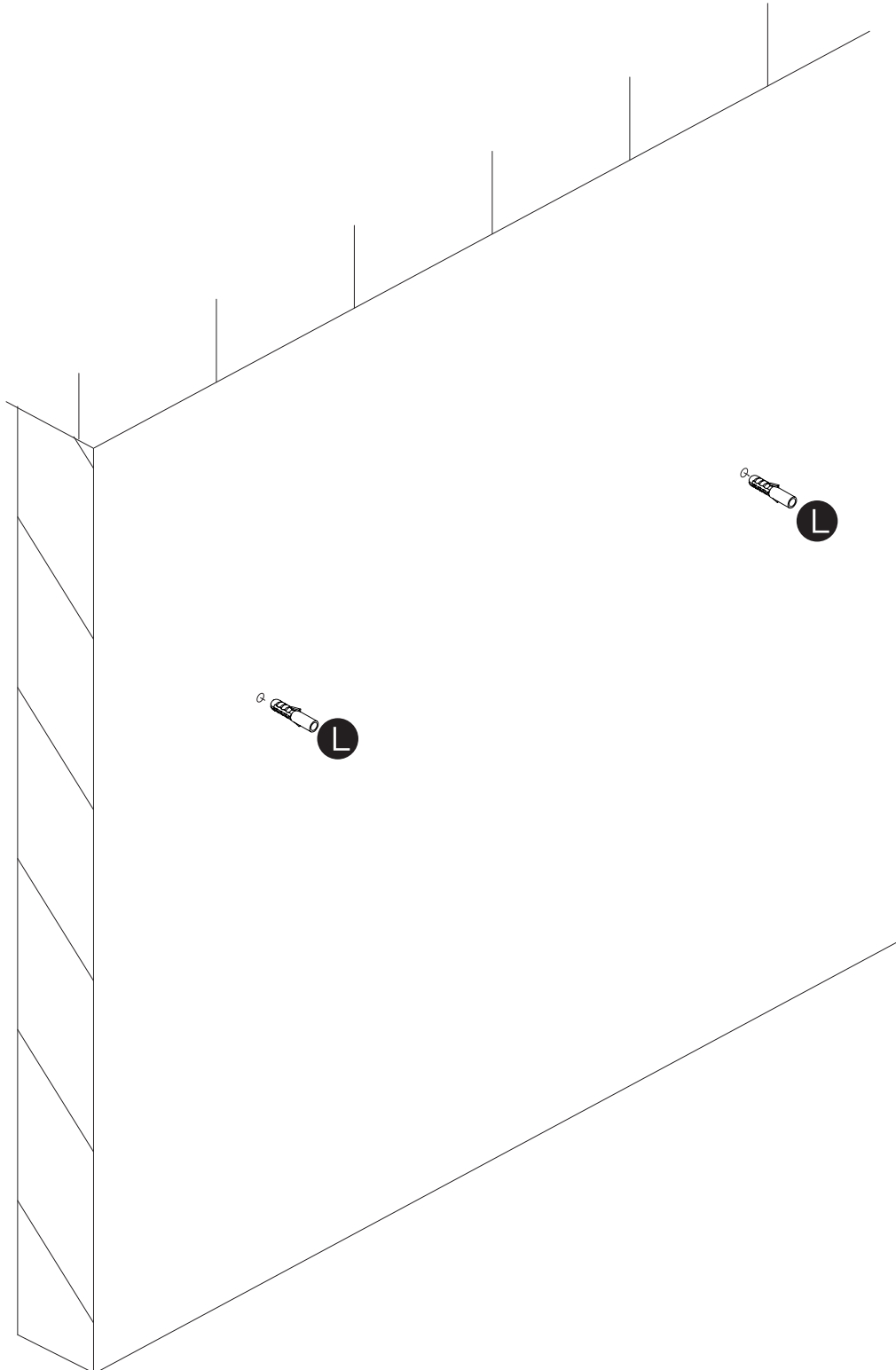


M4x40mm x2

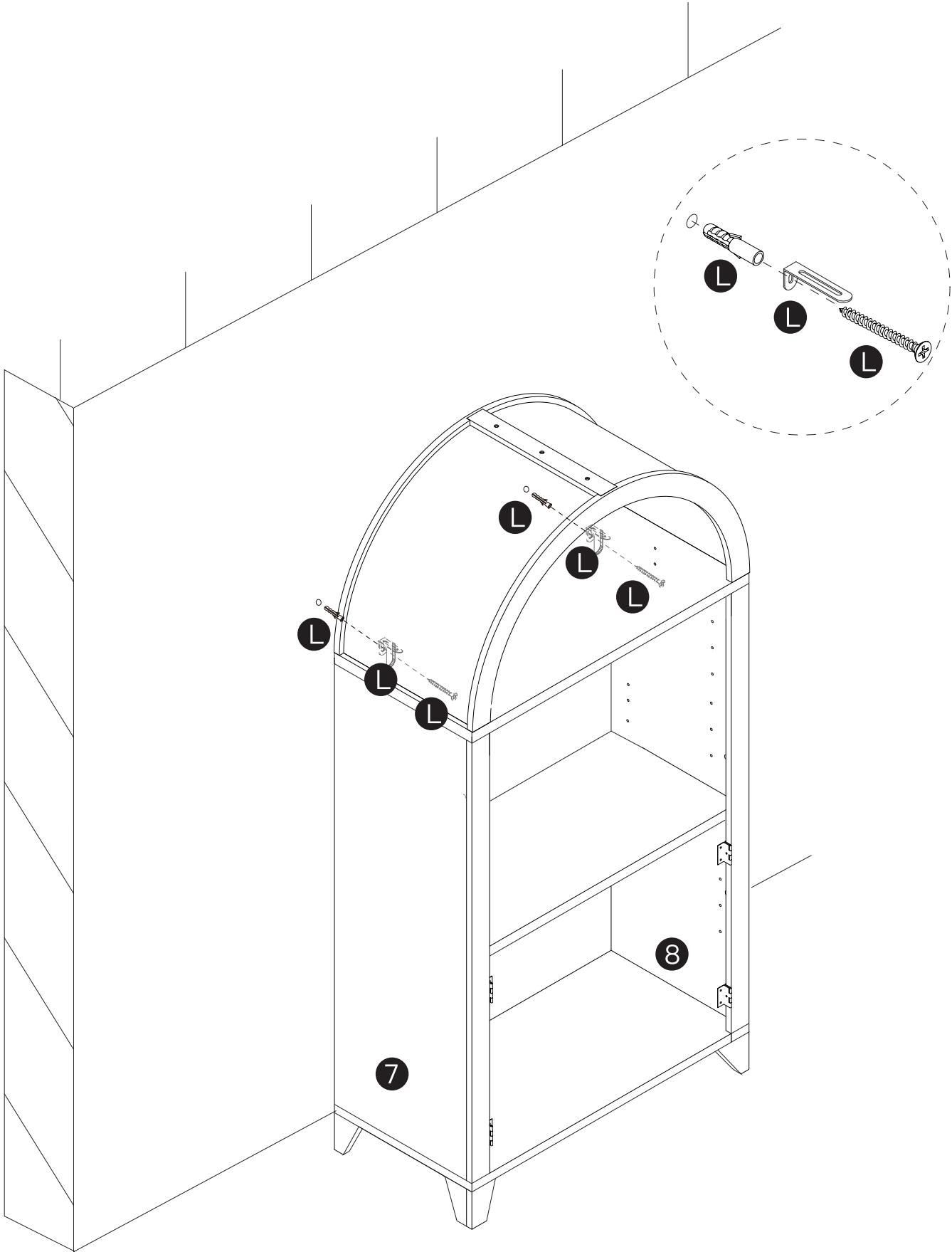


**NOTICE**

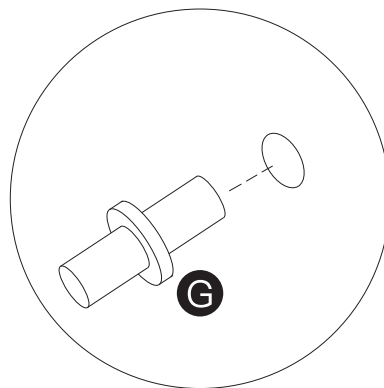
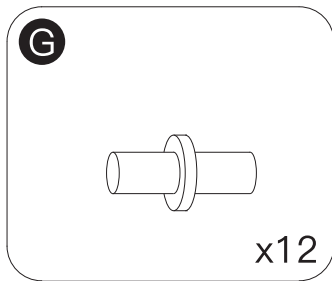
For the safety of you and your family, it is necessary to install Anti-Tip Device Kit.



# STEP 29-1



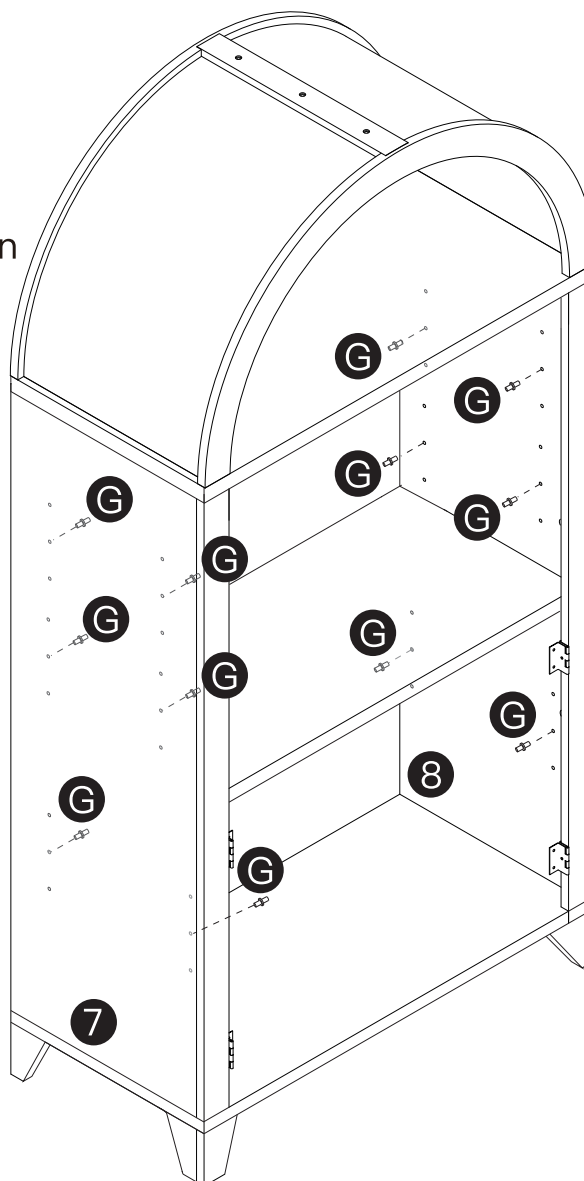
# STEP 30



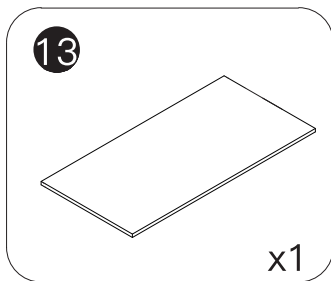
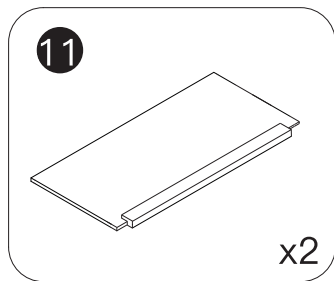
## NOTICE:

(1) Every part **G** installing in same step must be at the same height.

(2) The height of part **11** & **13** can be adjusted by the installation position of part **G**.

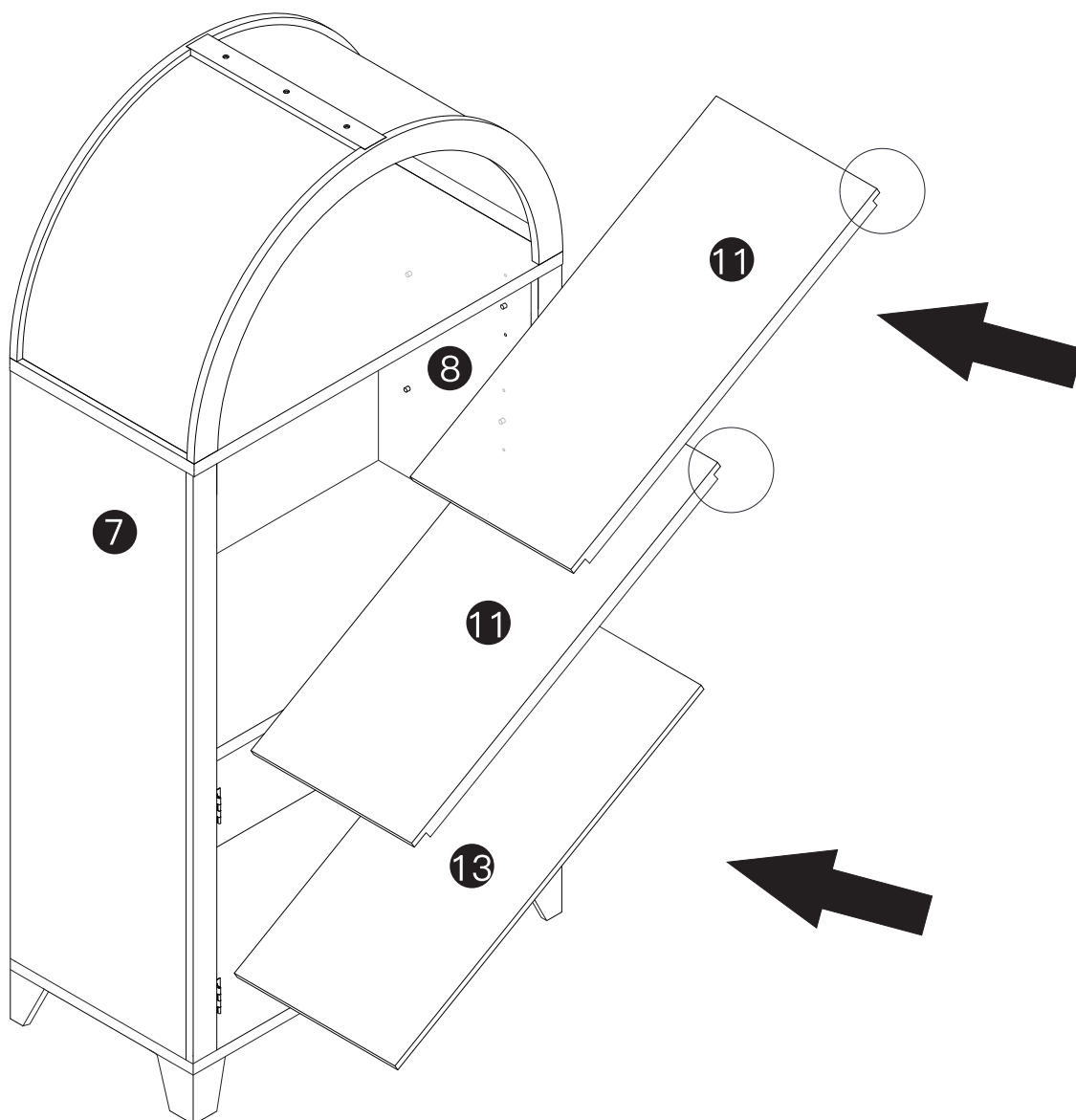
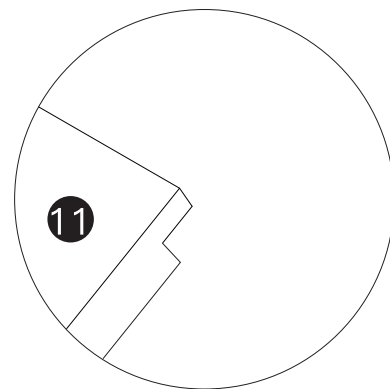


# STEP 31

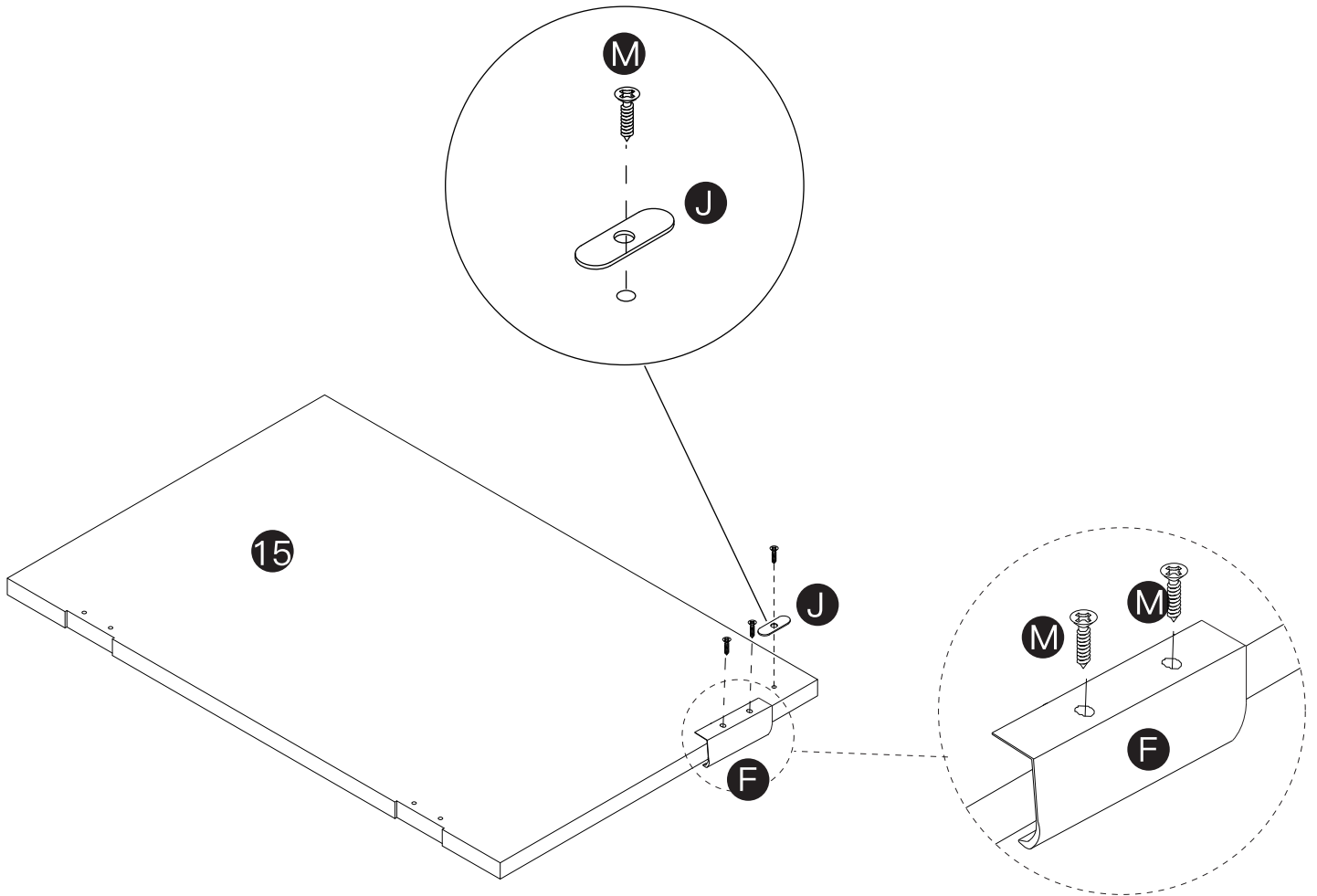
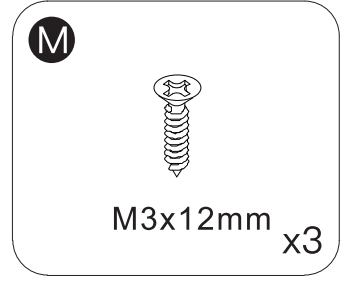
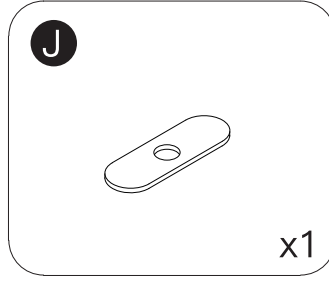
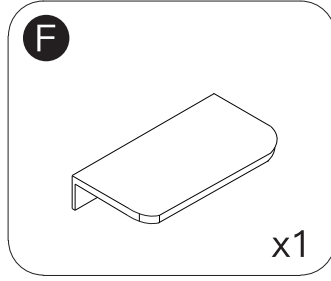
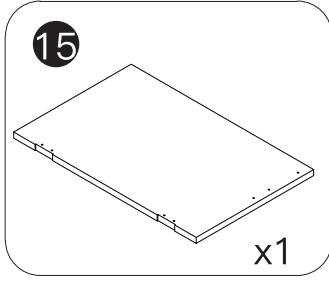


## NOTICE:

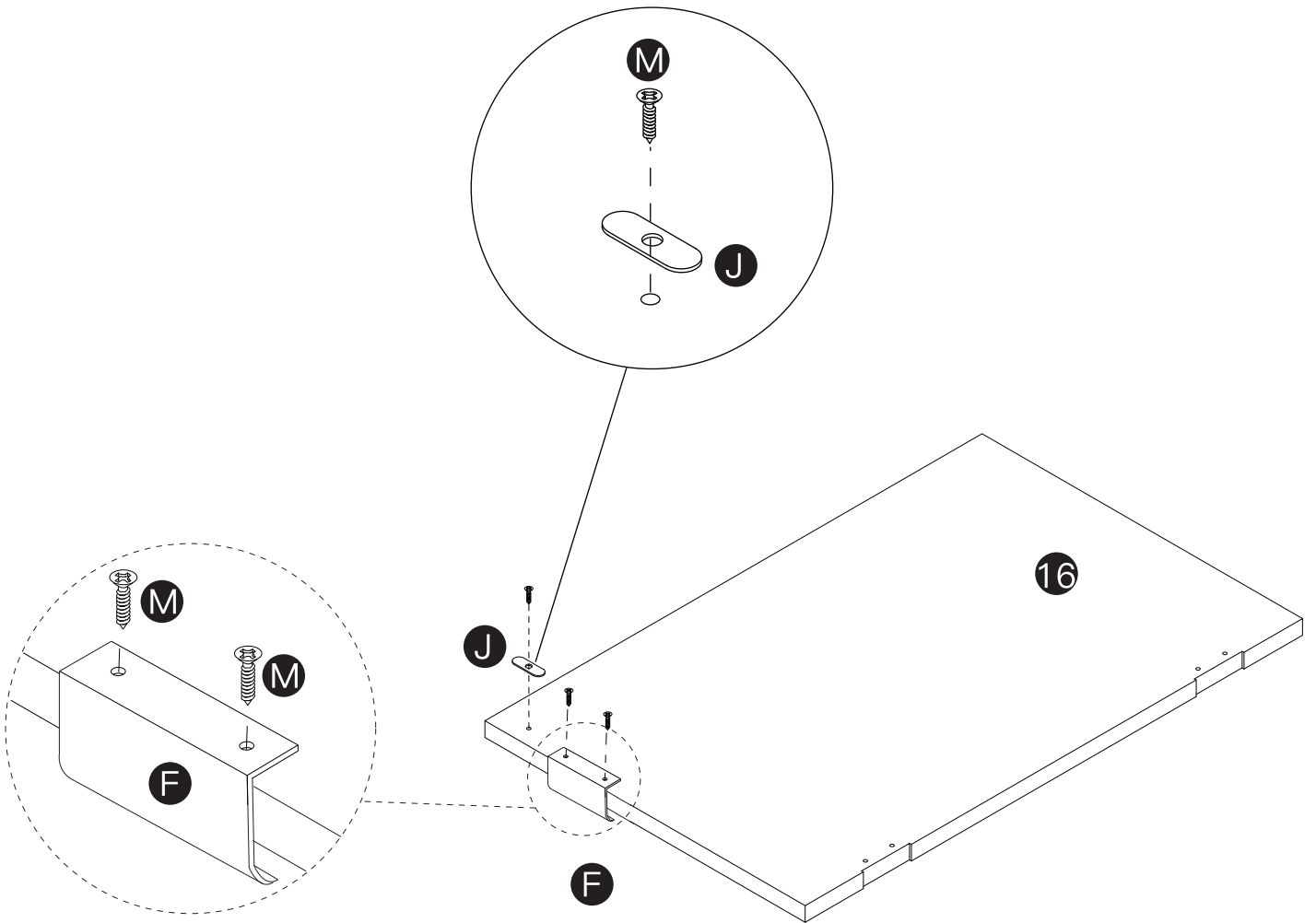
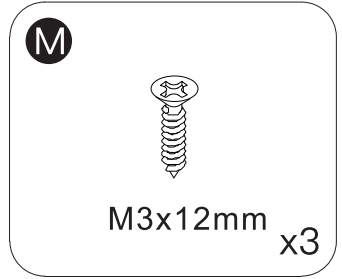
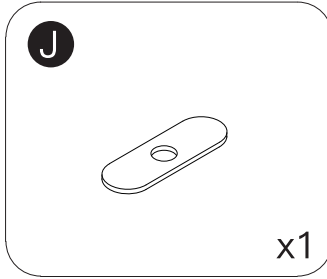
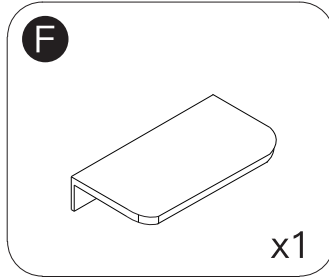
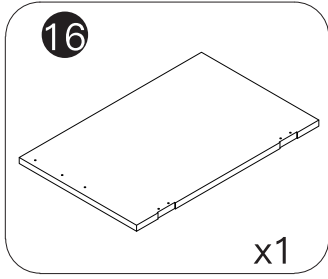
Please install the baffle of part 11 on the outside.



# STEP 32



# STEP 33



# STEP 34

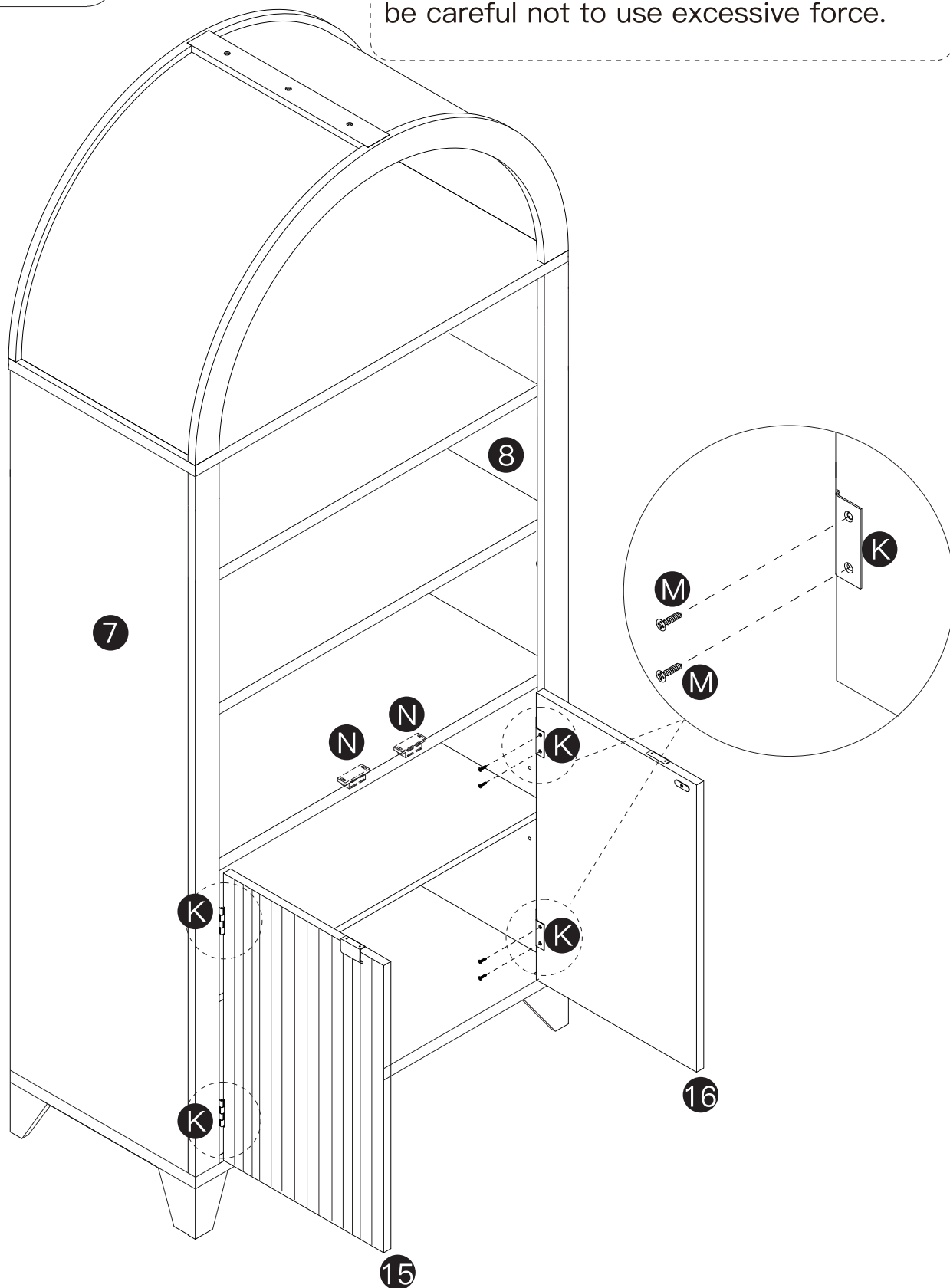
M



M3x12mm  
x8

## NOTICE:

After the door is installed, adjust the suction position of the door so that the door is flush with the front of magnet, and finally tighten the locking screw, but be careful not to use excessive force.



# AFTERSALE SERVICE

**Dear customer,**

We are pleased that you have chosen our product as part of your home. We care deeply about your experience and hope that you receive all the help you need.

We sincerely hope this product meets your expectations and hope that you will consider us again in your future needs.

The packaging may exceed our control during transportation. If there are any issues with the box or contents, please contact us directly. We will provide you with high-quality after-sales service. Please kindly wait for the response from our team.

Thank you once again for choosing us. Let's create wonderful memories and comfortable spaces together!

Kind regards,  
Customer Care Team