



CAP48ROAKMR

A

A

B

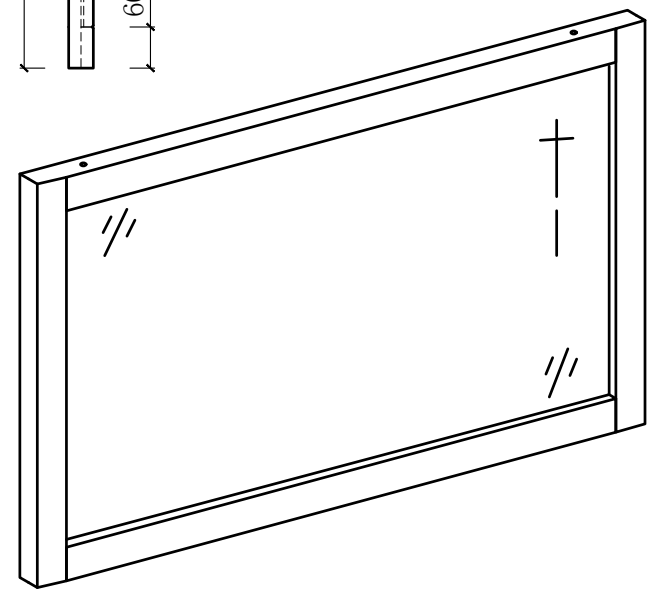
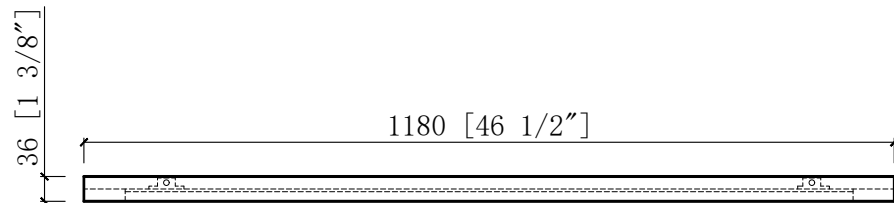
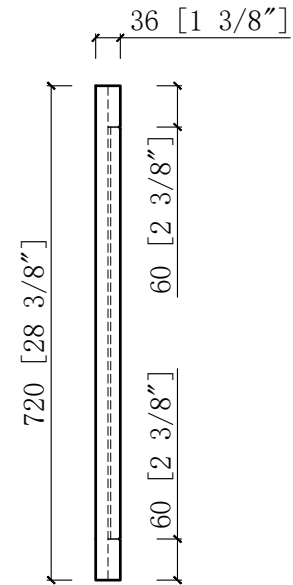
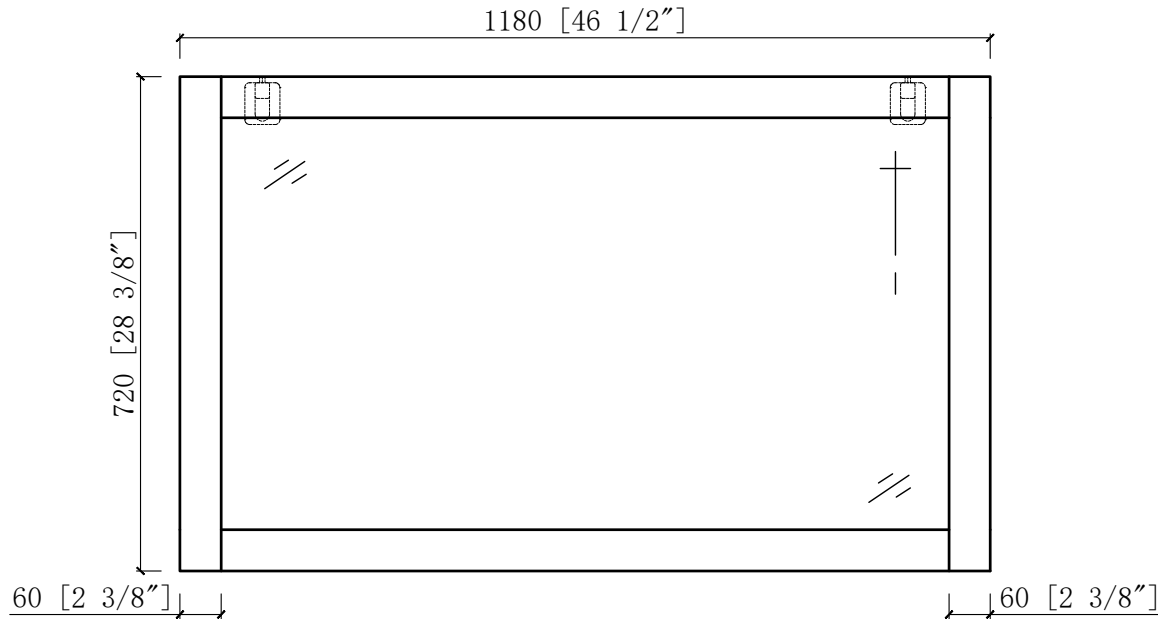
B

C

C

D

D



1

2

3

4

5

6